

US00D621893S

(12) **United States Design Patent**
Nicolette et al.

(10) **Patent No.:** **US D621,893 S**

(45) **Date of Patent:** **** Aug. 17, 2010**

(54) **GOLF CLUB HEAD**

(75) Inventors: **Michael R. Nicolette**, Scottsdale, AZ (US); **Bradley D. Schweigert**, Anthem, AZ (US); **Marty R. Jertson**, Cave Creek, AZ (US); **Xiaojian Chen**, Phoenix, AZ (US)

(73) Assignee: **Karsten Manufacturing Corporation**, Phoenix, AZ (US)

(**) Term: **14 Years**

(21) Appl. No.: **29/357,783**

(22) Filed: **Mar. 17, 2010**

(51) **LOC (9) Cl.** **21-02**

(52) **U.S. Cl.** **D21/759**

(58) **Field of Classification Search** D21/747–751,
D21/759; 473/324–331, 350

See application file for complete search history.

(56) **References Cited**

U.S. PATENT DOCUMENTS

55,278 A	5/1920	Kraeuter	
D234,608 S	3/1975	Raymont	
D240,841 S	8/1976	Solheim	
D256,264 S	8/1980	Solheim	
4,355,808 A	10/1982	Jernigan et al.	
D276,644 S	12/1984	Solheim	
5,014,993 A	5/1991	Antonious	
D318,512 S	7/1991	Piotrowski	
5,048,834 A	9/1991	Gorman	
D330,577 S	10/1992	Solheim	
D331,272 S *	11/1992	Antonious	D21/749
D332,478 S *	1/1993	Antonious	D21/749
D332,812 S	1/1993	Solheim	
D344,778 S	3/1994	Solheim	
D357,293 S	4/1995	Solheim	
D357,294 S	4/1995	Solheim	
D368,127 S	3/1996	Solheim	
D379,393 S	5/1997	Kubica et al.	
D383,819 S	9/1997	Takahashi et al.	
5,665,013 A	9/1997	Kobayashi	

5,676,605 A	10/1997	Kobayashi
D388,486 S	12/1997	Mahaffey
D392,356 S	3/1998	Burrows
D398,687 S	9/1998	Miyajima et al.
D411,272 S	6/1999	Burrows
5,921,869 A	7/1999	Blough et al.
D422,043 S	3/2000	Kubica et al.
D428,635 S	7/2000	Nagai et al.
D429,298 S	8/2000	Butler
D429,299 S	8/2000	Kubica et al.
D437,902 S	2/2001	Persinger

(Continued)

OTHER PUBLICATIONS

Bradley D. Schweigert, "Golf Club Head," U.S. Appl. No. 29/357,788, filed Mar. 17, 2010.

(Continued)

Primary Examiner—Mitchell I Siegel

(57) **CLAIM**

The ornamental design for a golf club head, as shown and described.

DESCRIPTION

FIG. 1 is an elevational view of a first embodiment of the rear of a golf club head;

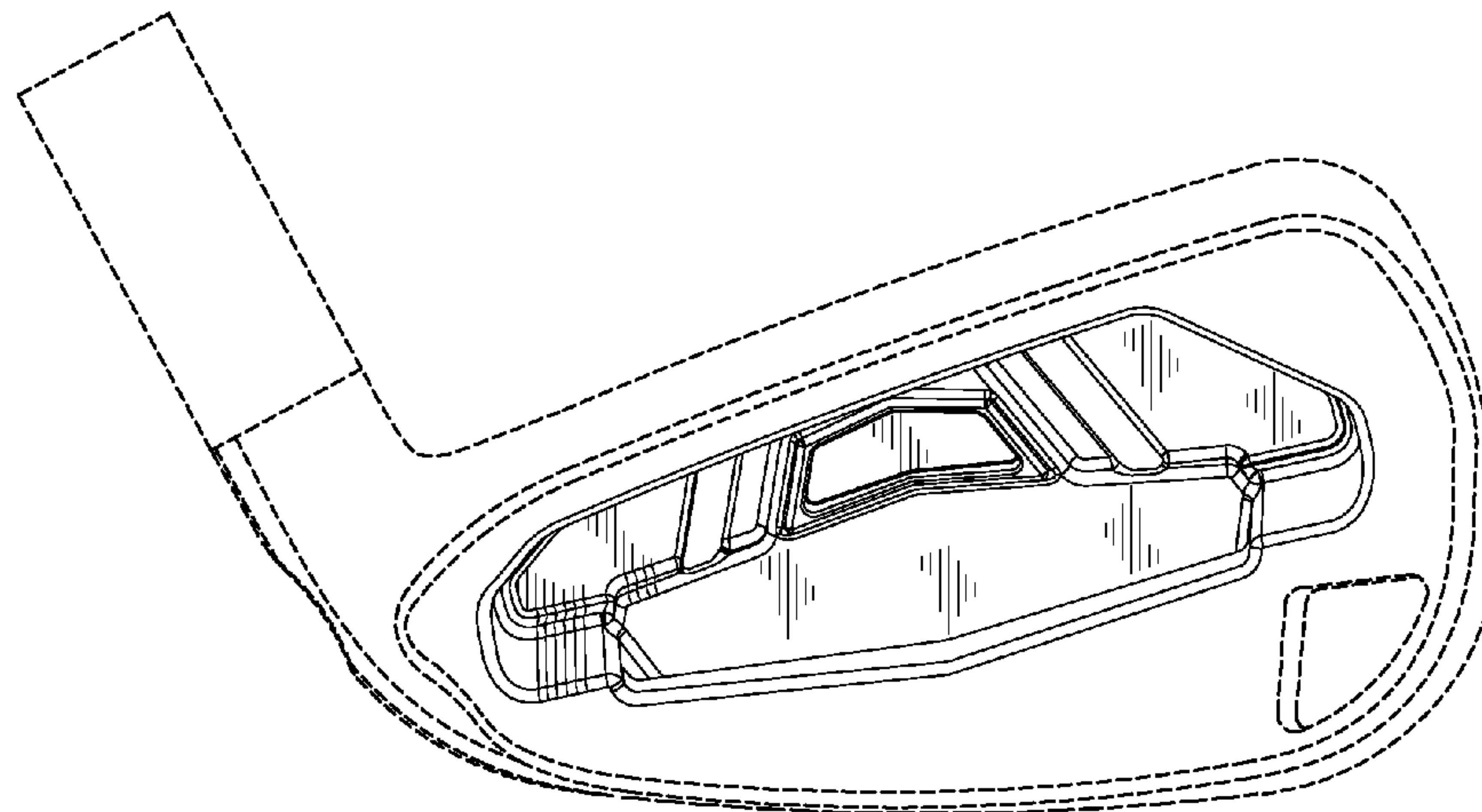
FIG. 2 is an inverted perspective view of the golf club head of FIG. 1;

FIG. 3 is an elevational view of a second embodiment of the rear of a golf club head; and,

FIG. 4 is an inverted perspective view of the golf club head of FIG. 3.

The broken lines shown in one or more of the figures are for illustrative purposes only and form no part of the claimed design.

1 Claim, 2 Drawing Sheets



US D621,893 S

Page 2

U.S. PATENT DOCUMENTS

D437,906 S	2/2001	Gilbert	D540,898 S	4/2007	Solheim et al.
D442,659 S	5/2001	Kubica et al.	D541,360 S	4/2007	Schweigert et al.
D443,008 S	5/2001	Kubica et al.	D544,056 S	6/2007	Nicolette et al.
D444,195 S	6/2001	Wahl et al.	D554,212 S	10/2007	Nunez et al.
D458,328 S	6/2002	Solheim et al.	D554,215 S *	10/2007	Ruggiero et al. D21/759
D465,253 S	11/2002	Best	D554,217 S *	10/2007	Ruggiero et al. D21/759
D473,605 S	4/2003	Petersen et al.	D554,218 S *	10/2007	Ruggiero et al. D21/759
D475,108 S	5/2003	Madore	D559,931 S	1/2008	Roach et al.
D492,376 S	6/2004	Nicolette et al.	D561,855 S	2/2008	Schweigert et al.
D494,648 S	8/2004	Schweigert et al.	D562,423 S *	2/2008	Foster et al. D21/759
D500,350 S	12/2004	Schweigert et al.	D562,925 S	2/2008	Schweigert et al.
D500,351 S	12/2004	Schweigert et al.	D570,435 S	6/2008	Sanchez et al.
D502,237 S	2/2005	Schweigert et al.	D570,935 S	6/2008	Nicolette et al.
D502,975 S	3/2005	Schweigert et al.	D570,936 S	6/2008	Schweigert et al.
D503,204 S	3/2005	Nicolette et al.	D571,422 S	6/2008	Schweigert et al.
D504,925 S	5/2005	Schweigert et al.	D571,881 S	6/2008	Nicolette et al.
D505,171 S	5/2005	Schweigert et al.	D572,326 S	7/2008	Schweigert et al.
D507,614 S	7/2005	Schweigert et al.	D572,329 S	7/2008	Nicolette et al.
6,921,344 B2	7/2005	Gilbert et al.	D573,219 S	7/2008	Schweigert et al.
D508,099 S	8/2005	Schweigert et al.	D577,783 S	9/2008	Schweigert et al.
D514,183 S	1/2006	Schweigert et al.	D578,590 S	10/2008	Schweigert et al.
D516,152 S	2/2006	Madore	D581,000 S *	11/2008	Nicolette et al. D21/749
D517,625 S	3/2006	Sanchez et al.	D596,256 S	7/2009	Schweigert et al.
D518,538 S	4/2006	Ines et al.	D596,257 S	7/2009	Jertson et al.
D519,179 S	4/2006	Roberts et al.	D597,158 S	7/2009	Schweigert et al.
D523,501 S	6/2006	Nicolette et al.	D601,216 S	9/2009	Jertson et al.
D530,759 S	10/2006	Nicolette et al.	D607,073 S *	12/2009	Jertson et al. D21/759
D530,760 S	10/2006	Schweigert et al.	2003/0119602 A1	6/2003	Kennedy, III et al.
7,125,343 B2	10/2006	Imamoto	2005/0096156 A1	5/2005	Chen
D532,849 S	11/2006	Nicolette et al.	2006/0258480 A1	11/2006	Hou et al.
D534,228 S	12/2006	Nicolette et al.	2007/0117653 A1	5/2007	Yoneyama
D534,595 S	1/2007	Hasebe	2009/0029790 A1	1/2009	Nicolette et al.
D534,597 S	1/2007	Nicolette et al.	2009/0118033 A1	5/2009	Nakamura
D536,759 S	2/2007	Schweigert et al.	2009/0149277 A1	6/2009	Deng et al.
D537,494 S	2/2007	Jertson et al.			
D538,366 S	3/2007	Nicolette et al.			
D539,862 S	4/2007	Nunez et al.			
D539,864 S	4/2007	Nicolette et al.			

OTHER PUBLICATIONS

Schweigert et al., "Badge for a Golf Club Head," U.S. Appl. No. 29/357,791, filed Mar. 17, 2010.

* cited by examiner

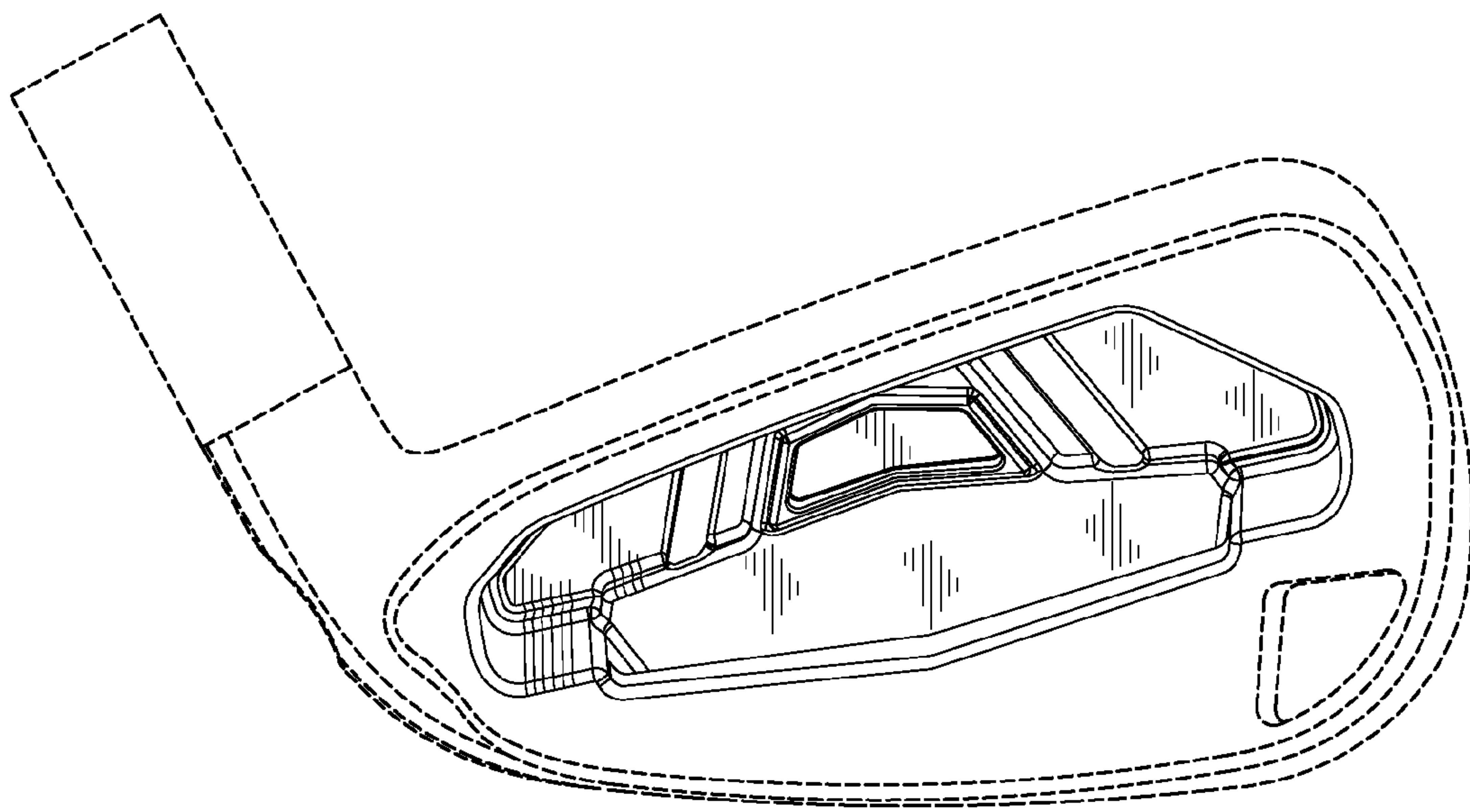


FIG. 1

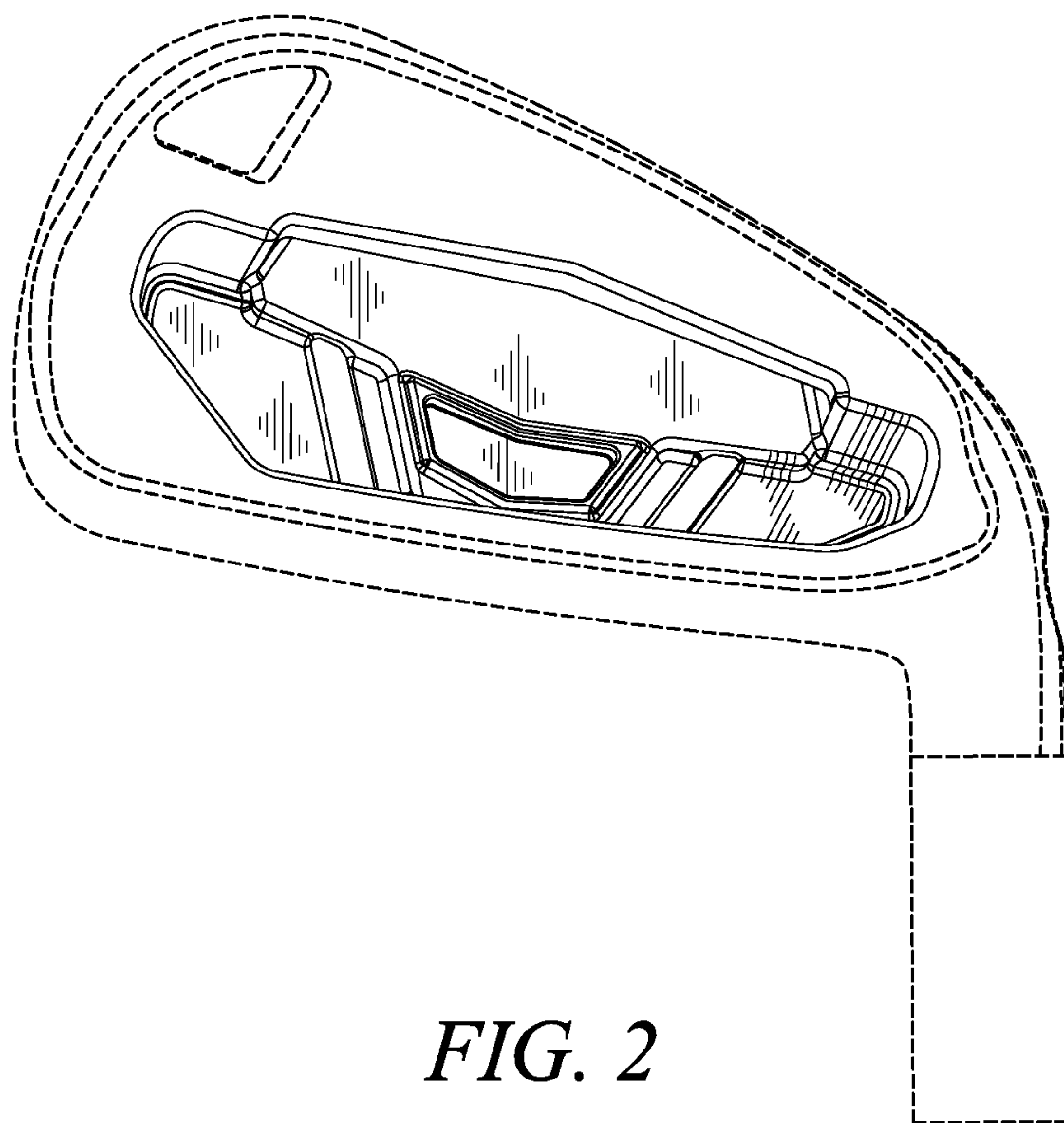


FIG. 2

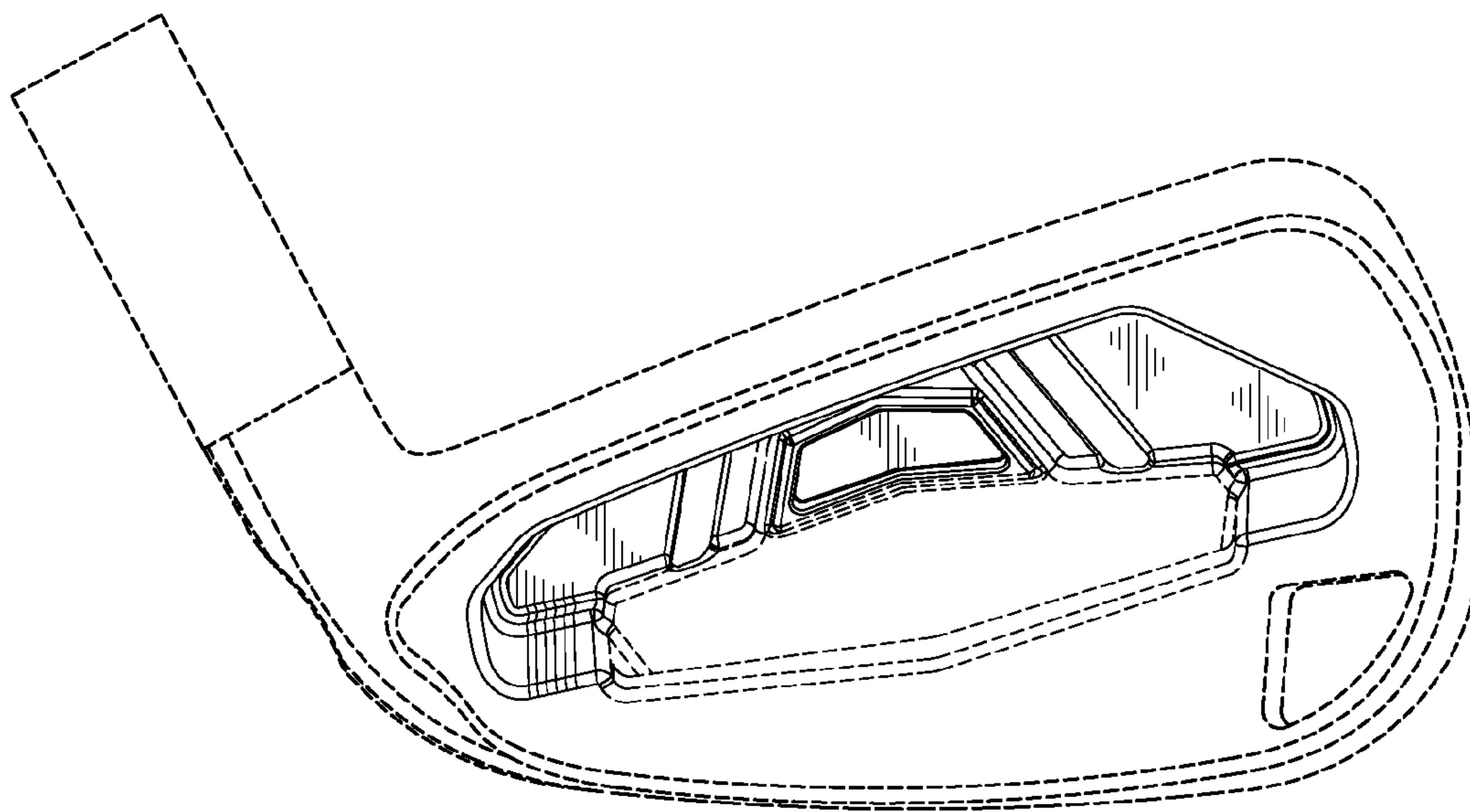


FIG. 3

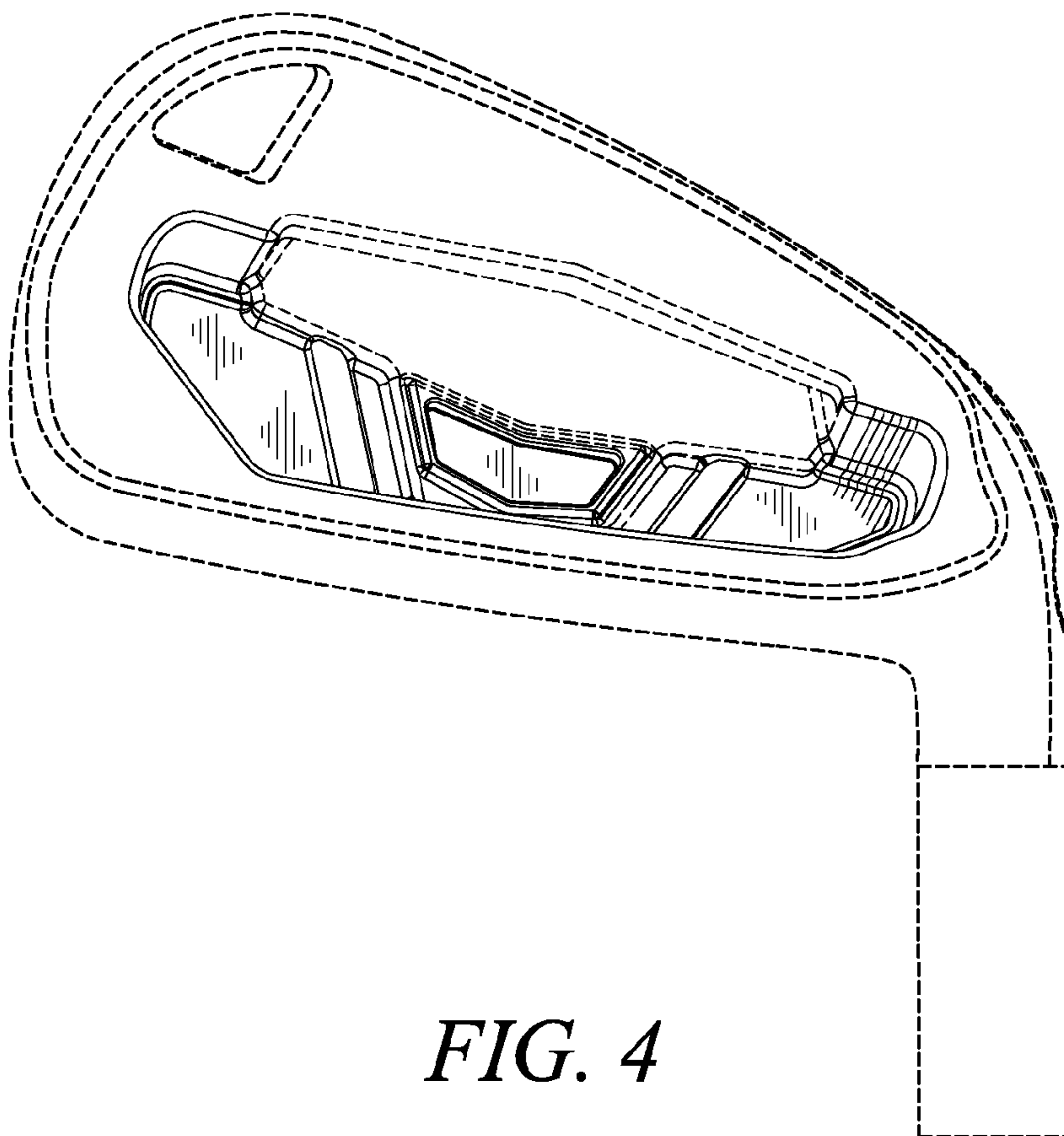


FIG. 4