



US00D621889S

(12) **United States Design Patent**
Horita et al.

(10) **Patent No.:** **US D621,889 S**
(45) **Date of Patent:** **** Aug. 17, 2010**

(54) **RECUMBENT EXERCISE CYCLE**

(75) Inventors: **Sean K. Horita**, Woodinville, WA (US);
Jonathan M. Stewart, Seattle, WA (US)

(73) Assignee: **Precor Incorporated**, Woodinville, WA
(US)

(**) Term: **14 Years**

(21) Appl. No.: **29/354,446**

(22) Filed: **Jan. 25, 2010**

(51) **LOC (9) Cl.** **21-02**

(52) **U.S. Cl.** **D21/663; D21/666**

(58) **Field of Classification Search** D21/662-670,
D21/694, 697; 482/51-52, 57-65; 280/288.2,
280/288.3

See application file for complete search history.

(56) **References Cited**

U.S. PATENT DOCUMENTS

4,850,587	A *	7/1989	Lin	482/72
D320,826	S *	10/1991	Hildebrandt et al.	D21/666
D347,039	S *	5/1994	Littrell et al.	D21/666
D355,942	S *	2/1995	Wu	D21/666
D461,210	S *	8/2002	Fon	D21/666
D515,152	S *	2/2006	Corbalis et al.	D21/666
D521,085	S *	5/2006	Kuo	D21/666
D528,172	S *	9/2006	Bingham et al.	D21/666
D553,698	S *	10/2007	Pyles et al.	D21/697

2006/0234834	A1 *	10/2006	Kuo	482/57
2006/0234835	A1 *	10/2006	Kuo	482/57
2006/0287167	A1 *	12/2006	Bingham et al.	482/57
2010/0022354	A1 *	1/2010	Fisher	482/8

* cited by examiner

Primary Examiner—Susan E Krakower

(74) *Attorney, Agent, or Firm*—Terence P. O'Brien

(57) **CLAIM**

We claim the ornamental design for a recumbent exercise cycle, as shown and described.

DESCRIPTION

FIG. 1 is a front, side perspective view of a recumbent exercise cycle;

FIG. 2 is a side view of the recumbent exercise cycle of FIG. 1;

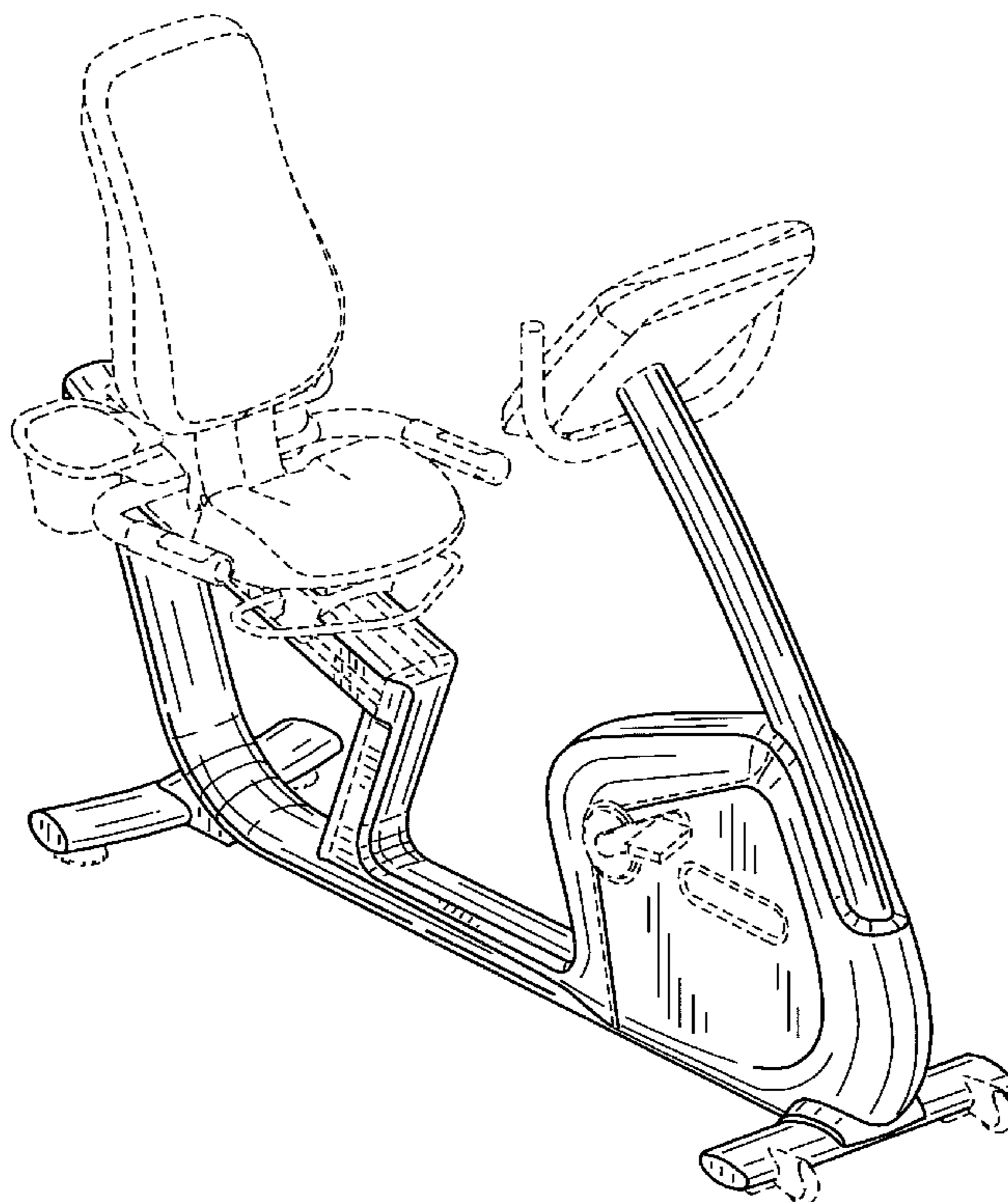
FIG. 3 is a top view of the recumbent exercise cycle of FIG. 1;

FIG. 4 is a front view of the recumbent exercise cycle of FIG. 1; and,

FIG. 5 is a rear view of the recumbent exercise cycle of FIG. 1.

The ornamental design that is claimed is shown in solid lines in the drawings. The broken (dashed) lines shown in the drawings are included for the purpose of illustrating environmental elements only and form no part of the claimed design.

1 Claim, 4 Drawing Sheets



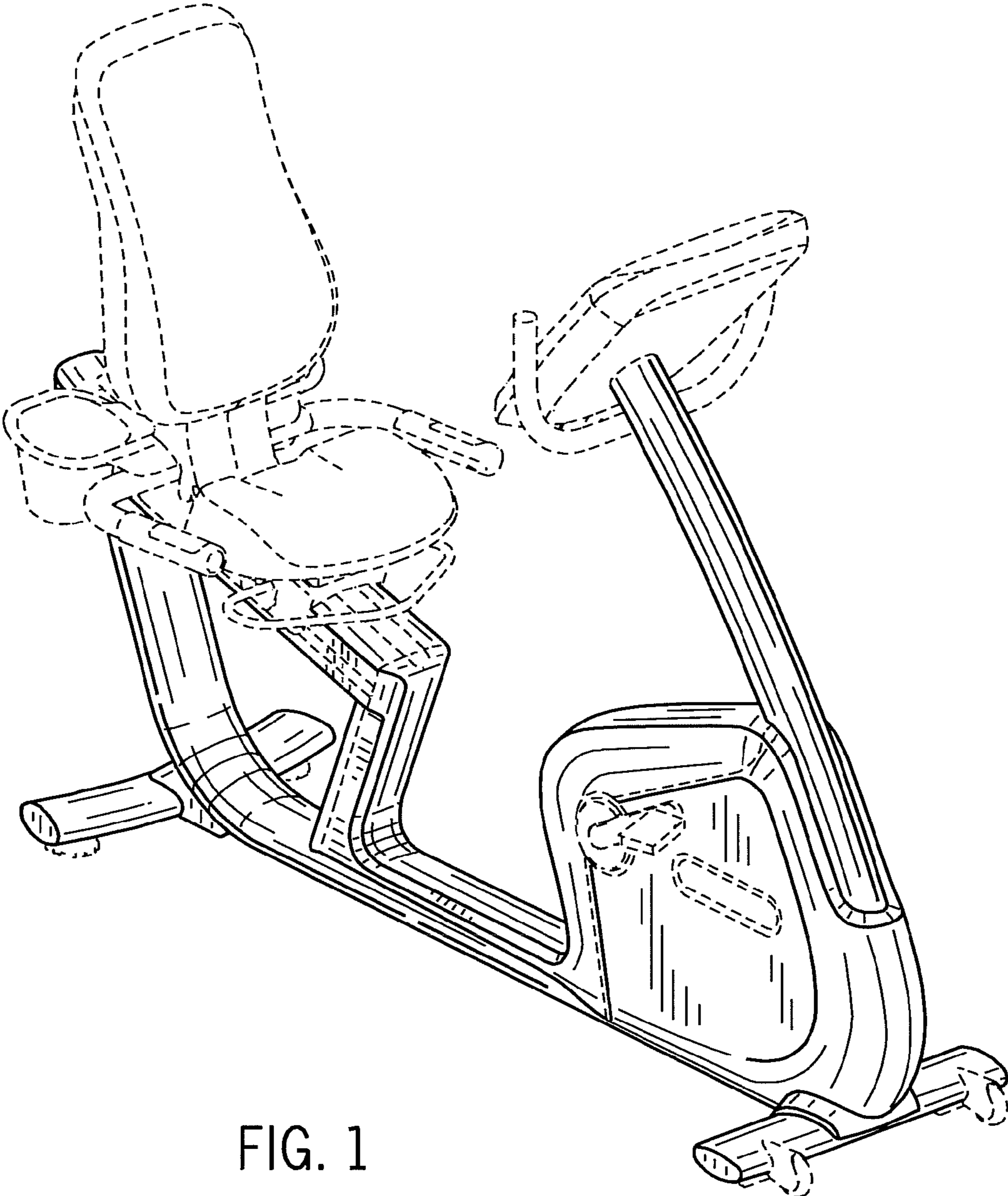


FIG. 1

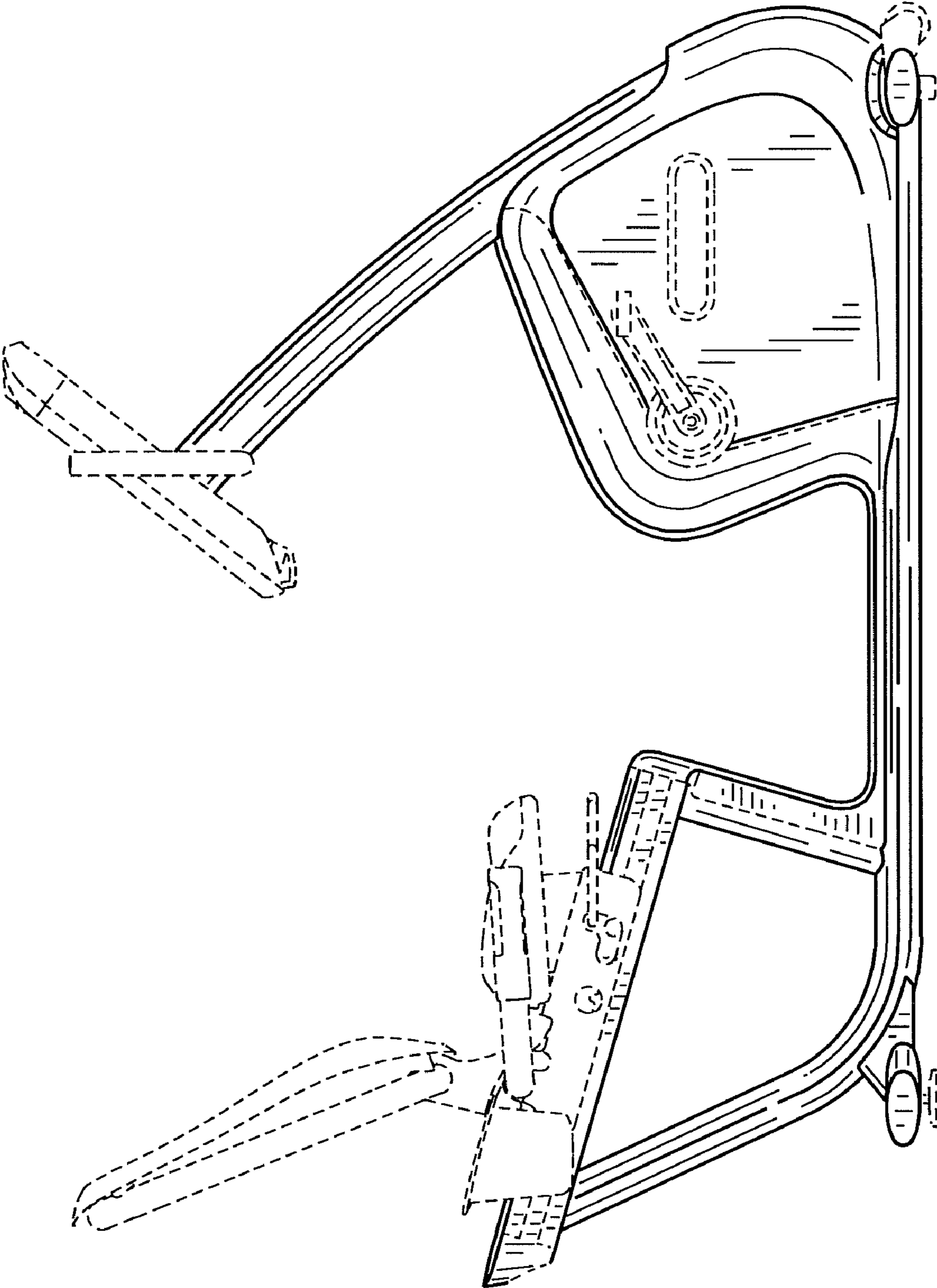


FIG. 2

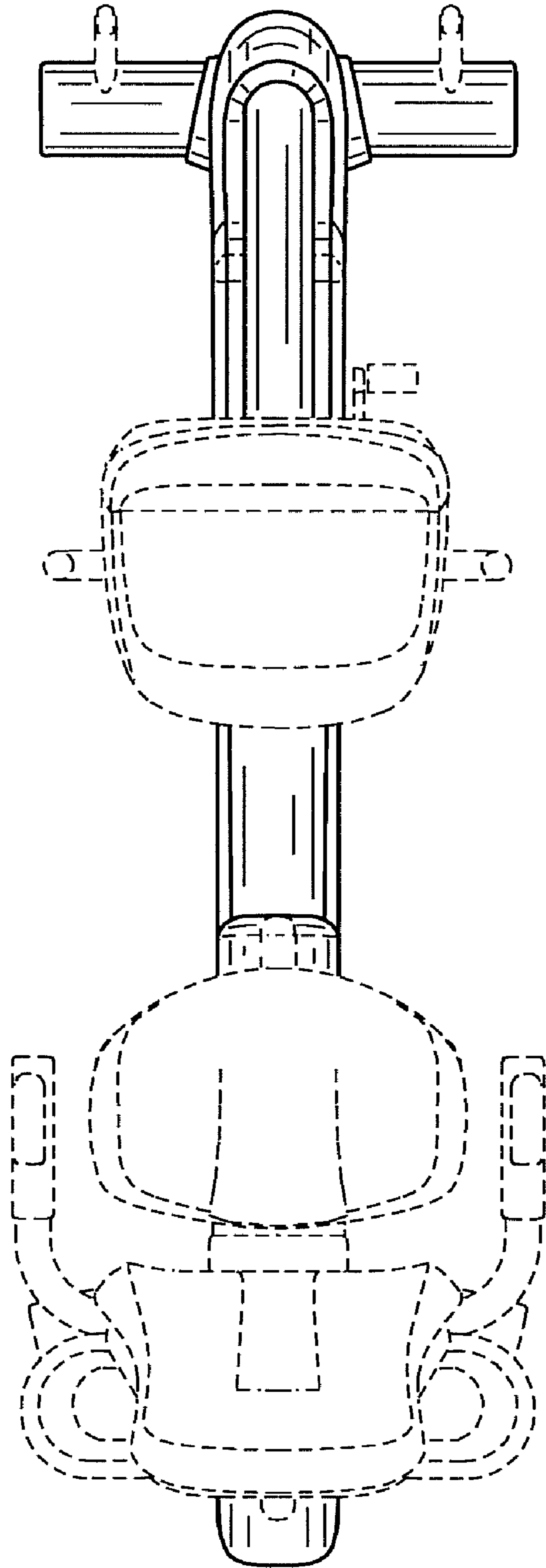


FIG. 3

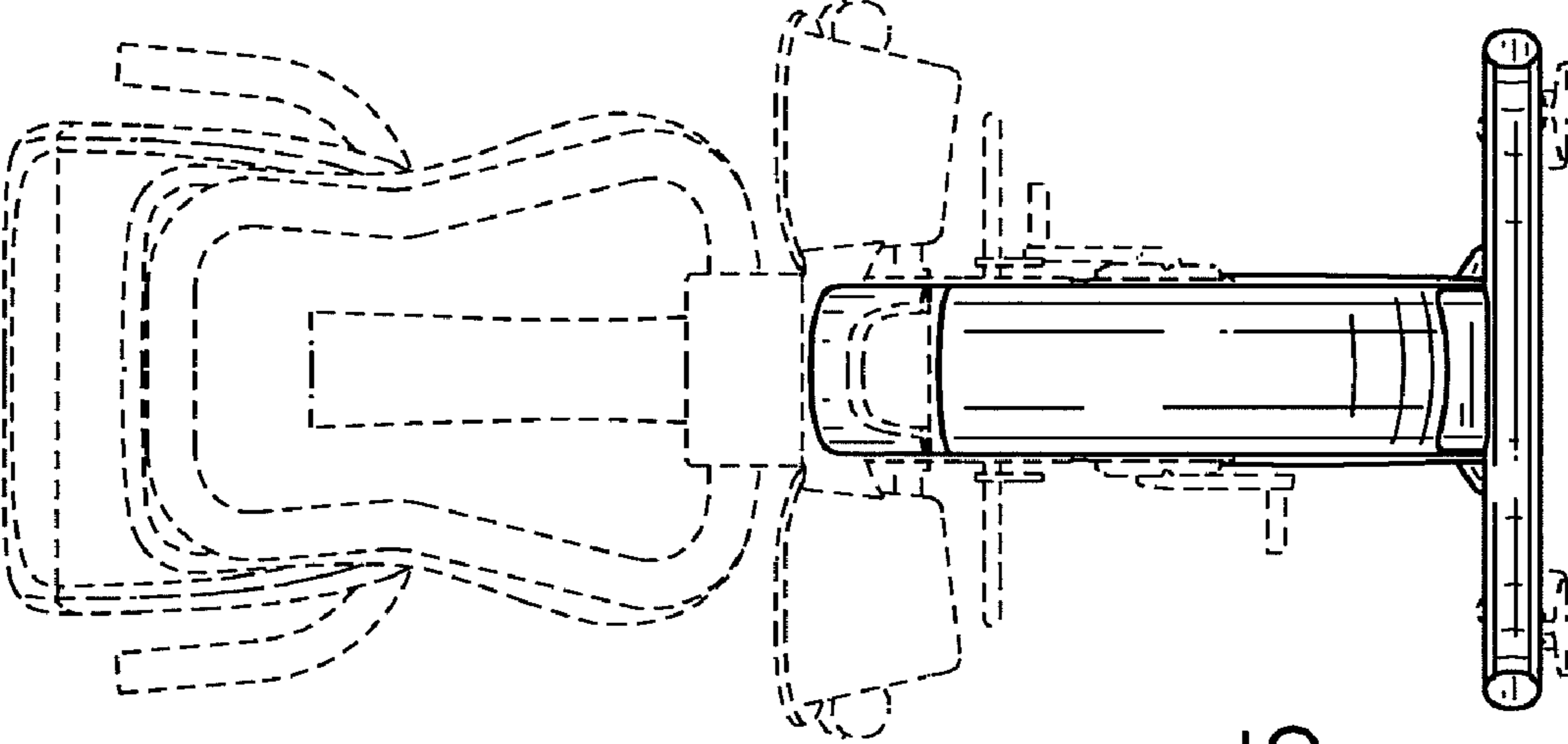


FIG. 5

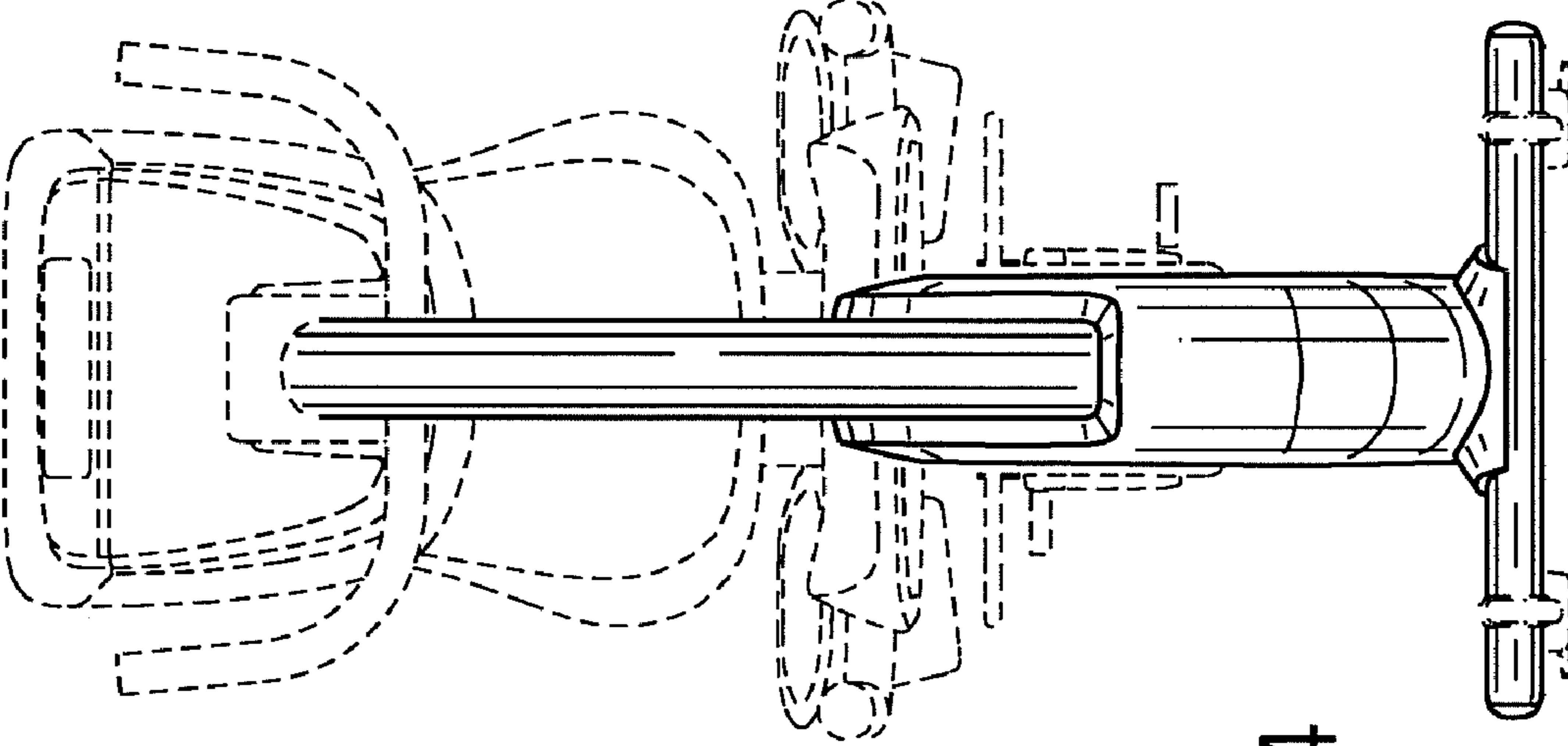


FIG. 4