



US00D621883S

(12) **United States Design Patent**  
**Jou**

(10) **Patent No.:** **US D621,883 S**

(45) **Date of Patent:** **\*\* Aug. 17, 2010**

(54) **CONNECTOR FOR CHILD BALANCING  
PLAY GAME ASSEMBLY**

(75) Inventor: **Feng Chii Jou**, Tainan (TW)

(73) Assignee: **Yi-Shung Enterprise Co., Ltd**, Tainan (TW)

(\*\*) Term: **14 Years**

(21) Appl. No.: **29/324,521**

(22) Filed: **Sep. 13, 2008**

(51) **LOC (9) Cl.** ..... **21-01**

(52) **U.S. Cl.** ..... **D21/385; D21/491; D21/500;**  
**D21/565; D21/814**

(58) **Field of Classification Search** ..... **D21/300,**  
**D21/385, 386, 397, 398, 399, 412, 419, 421,**  
**D21/478-480, 484-509, 519, 521, 530, 561,**  
**D21/564, 565, 682, 686, 694, 797, 800, 811,**  
**D21/814, 826; D8/349, 354, 356, 376-382,**  
**D8/400, 499; D6/333, 335, 349, 351, 352,**  
**D6/396, 397, 403, 405, 449, 450, 451, 455,**  
**D6/458, 480, 488, 490, 491-499, 497, 509;**  
**D25/113, 126, 128, 129, 131, 133, 138, 143,**  
**D25/144, 157, 158, 199; 446/69, 85-128,**  
**446/476, 478, 487; 273/276, 282.1, 288,**  
**273/290, 293, 153 R, 156, 157 R, 160; 482/35,**  
**482/36**

See application file for complete search history.

(56) **References Cited**

**U.S. PATENT DOCUMENTS**

3,715,136 A \* 2/1973 Yoshida ..... 52/285.2

3,775,897 A \* 12/1973 Soulakis et al. .... 446/487  
D249,230 S \* 9/1978 Van Der Veken ..... D9/715  
4,253,268 A \* 3/1981 Mayr ..... 446/104  
D271,452 S \* 11/1983 Rozsnyai ..... D6/455  
D296,344 S \* 6/1988 Olsen ..... D21/491  
4,934,701 A \* 6/1990 Ting ..... 273/157 R  
D370,503 S \* 6/1996 Burns ..... D21/500  
5,580,013 A \* 12/1996 Velke ..... 244/159.5  
D382,026 S \* 8/1997 Petersson et al. .... D21/565  
D435,609 S \* 12/2000 Sorensen ..... D21/499  
D453,900 S \* 2/2002 Zapf ..... D8/499  
7,070,541 B2 \* 7/2006 Madigan et al. .... 482/35  
D571,644 S \* 6/2008 Ilang ..... D8/382  
D611,332 S \* 3/2010 Tedesco et al. .... D8/380

\* cited by examiner

*Primary Examiner*—Catherine Tuttle

(74) *Attorney, Agent, or Firm*—Banger Shia

(57) **CLAIM**

The ornamental design for a ‘connector for child balancing play game assembly’, as shown and described.

**DESCRIPTION**

FIG. 1 is a perspective view of my new design;

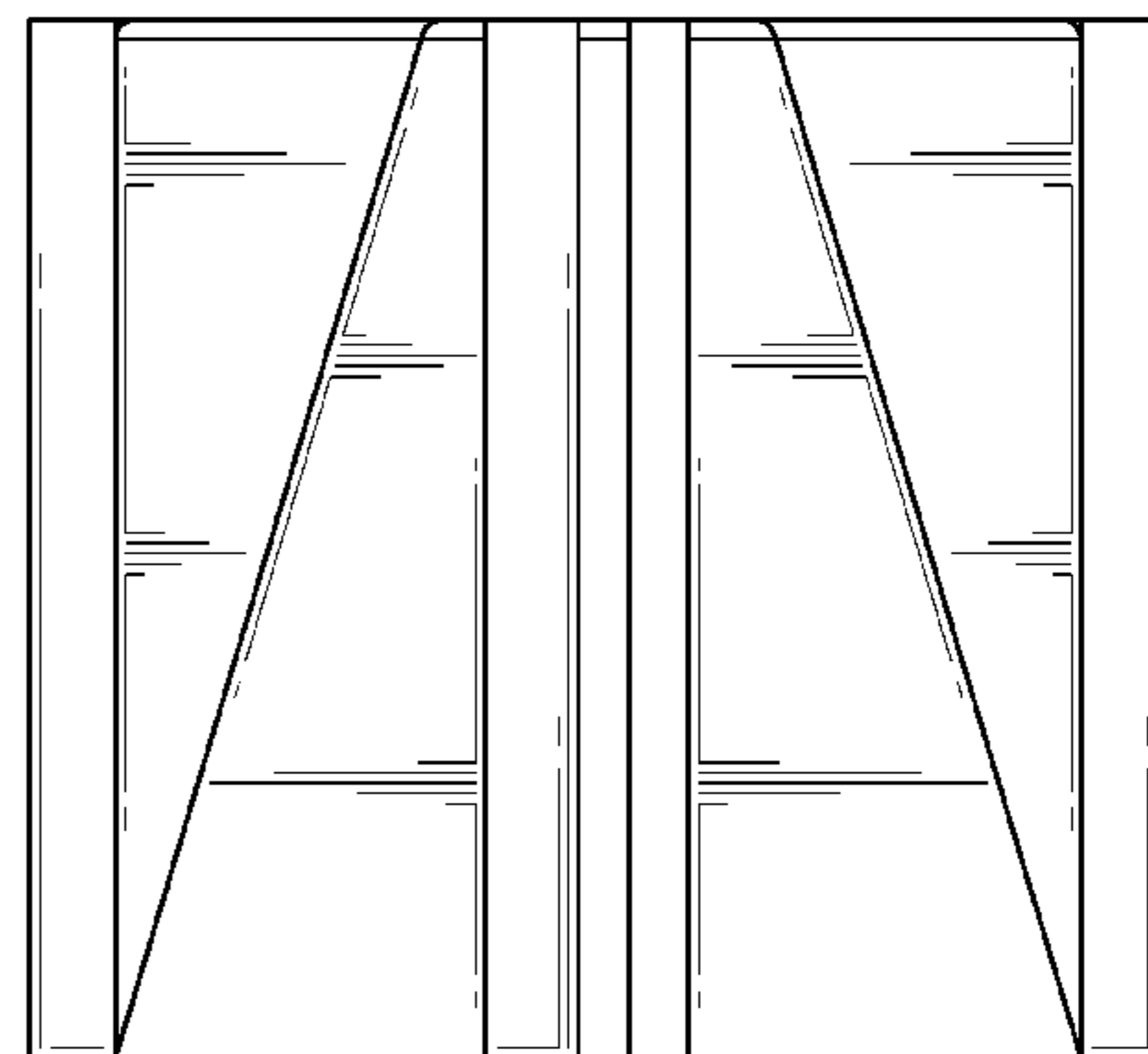
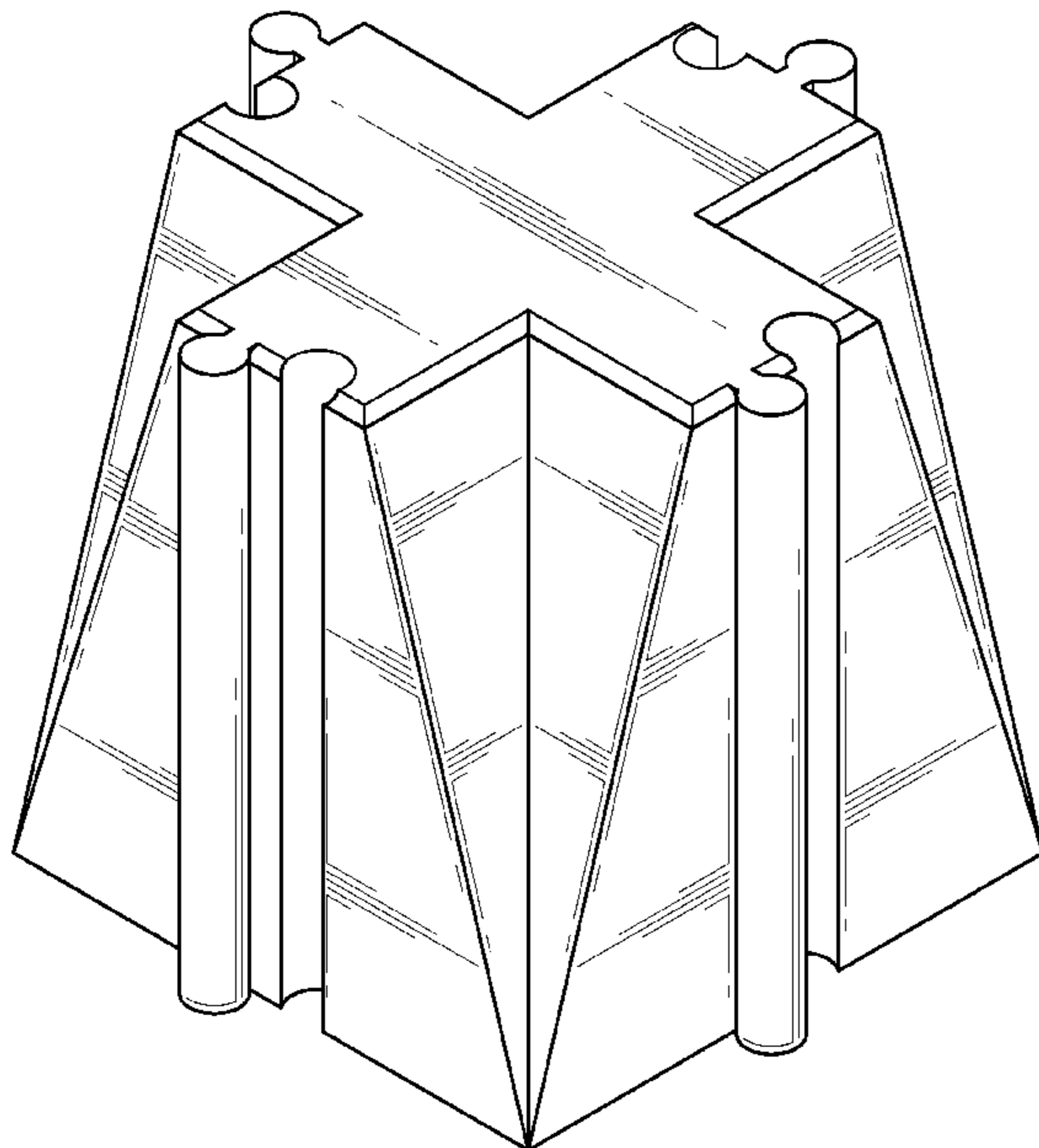
FIG. 2 is a front, rear, left side, or right side elevation view thereof;

FIG. 3 is a top plan view thereof;

FIG. 4 is a bottom plan view thereof; and,

FIG. 5 is a reduced scale perspective view showing the design in use, the broken line showing the environmental structure being for illustrative purposes only and forming no part of the claimed design.

**1 Claim, 5 Drawing Sheets**



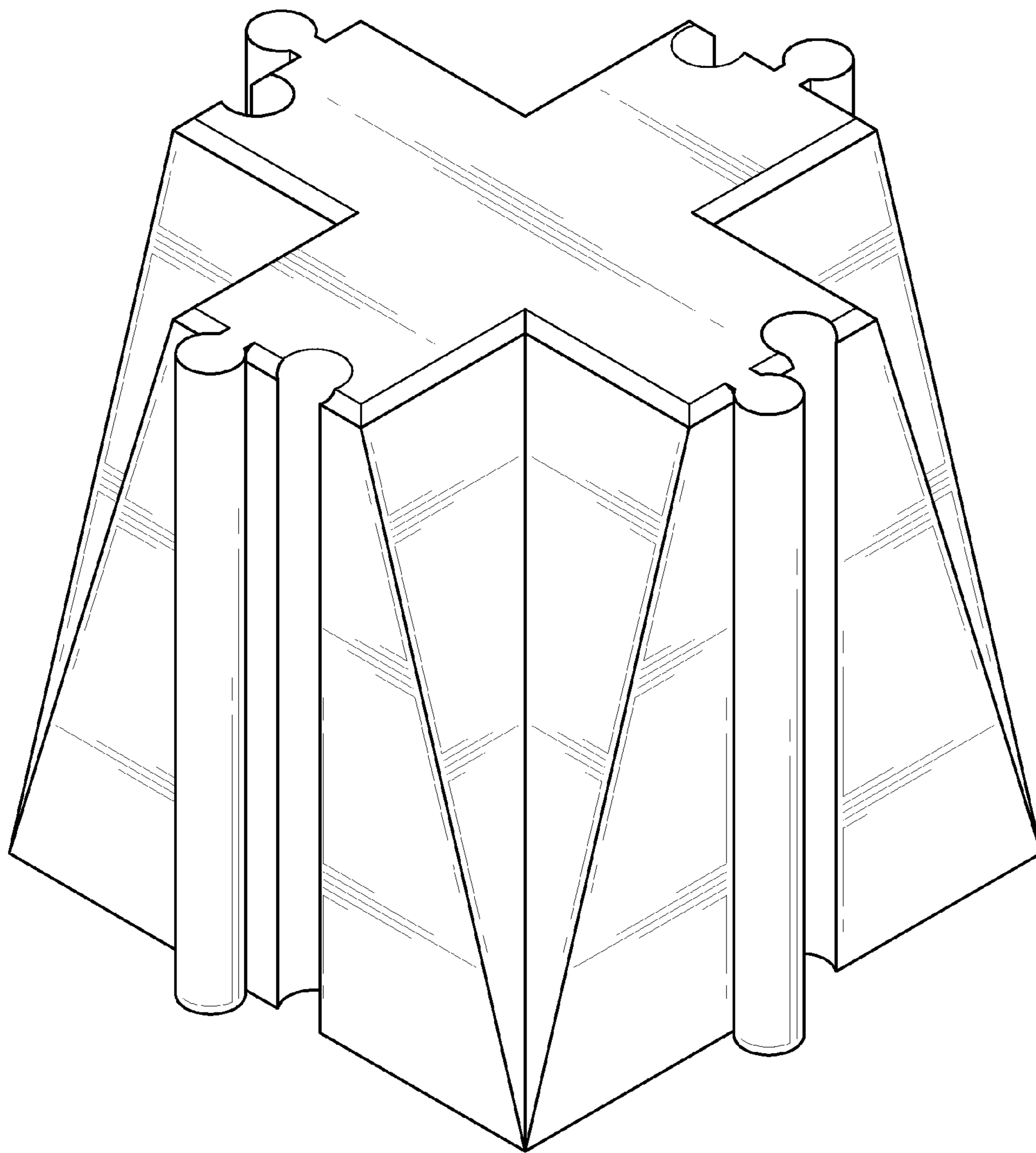


FIG. 1

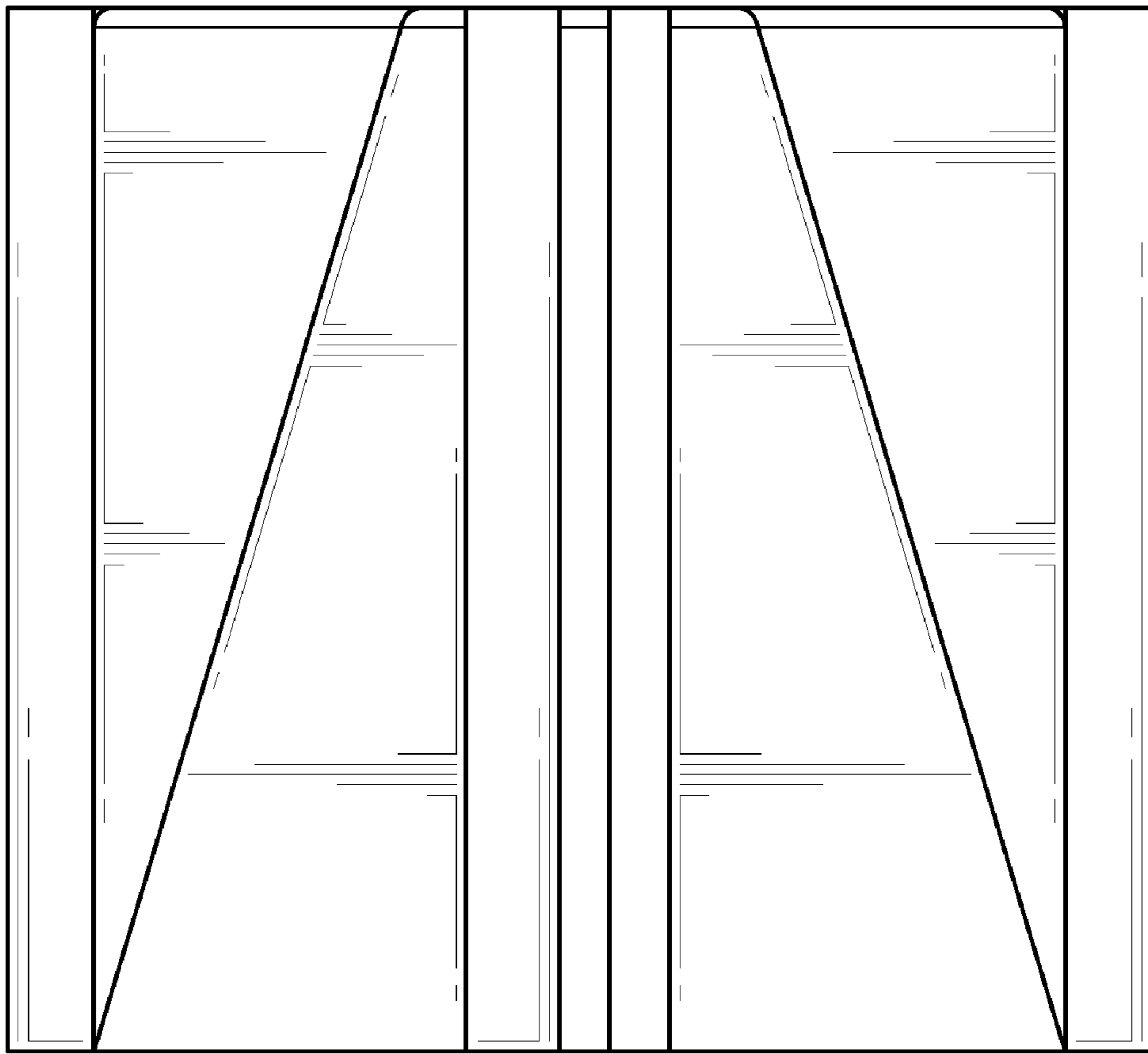


FIG. 2

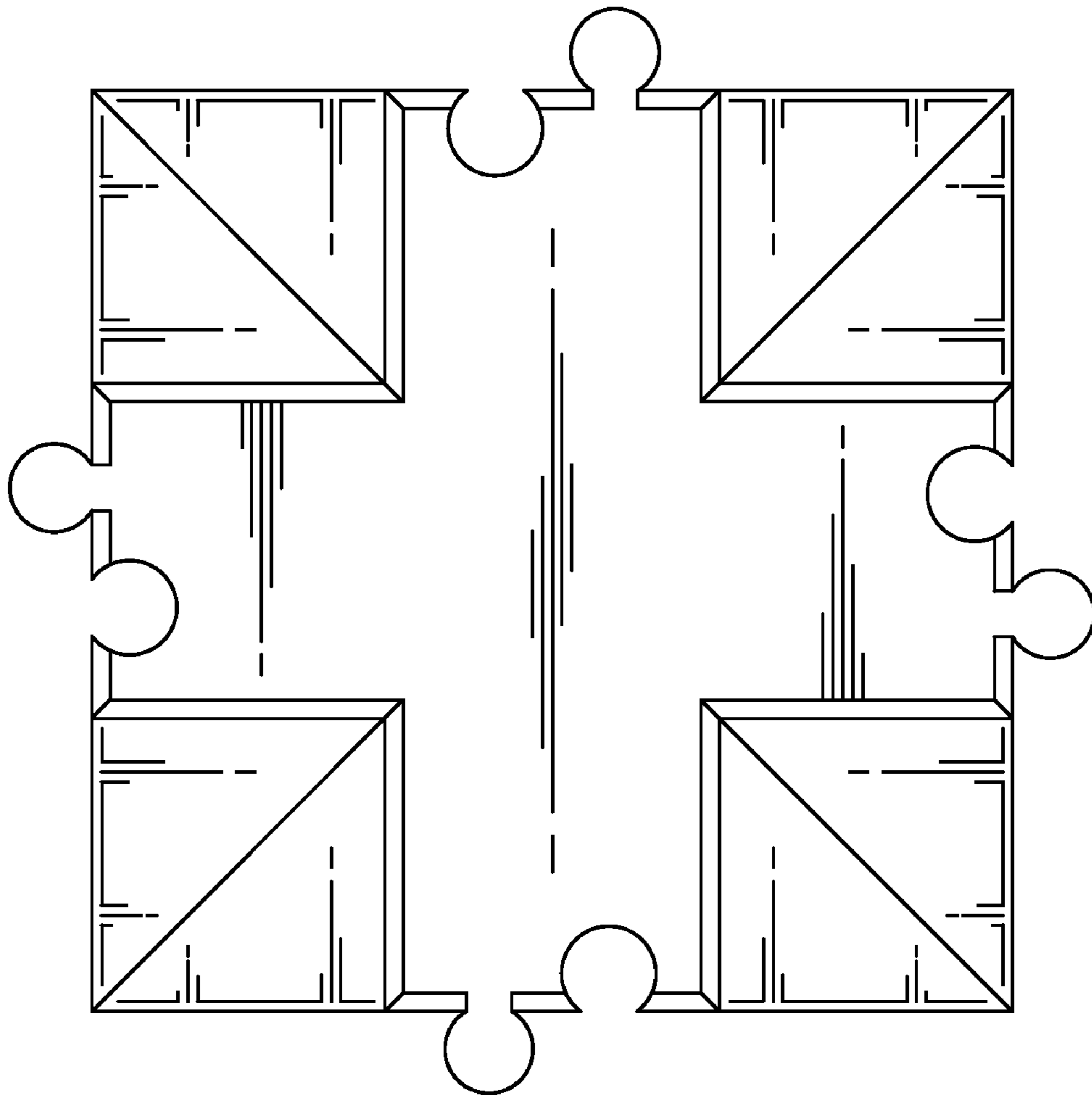


FIG. 3

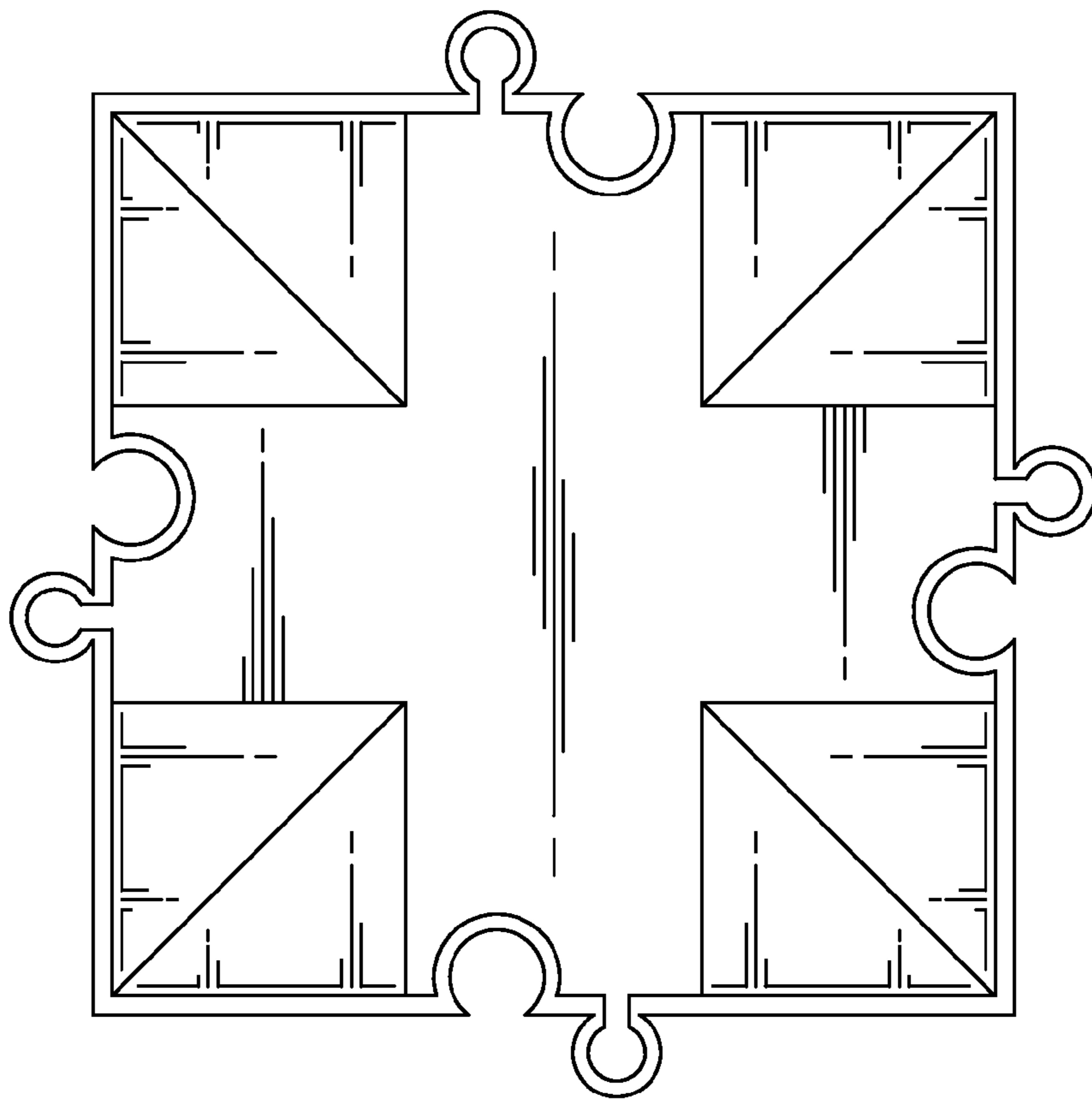


FIG. 4

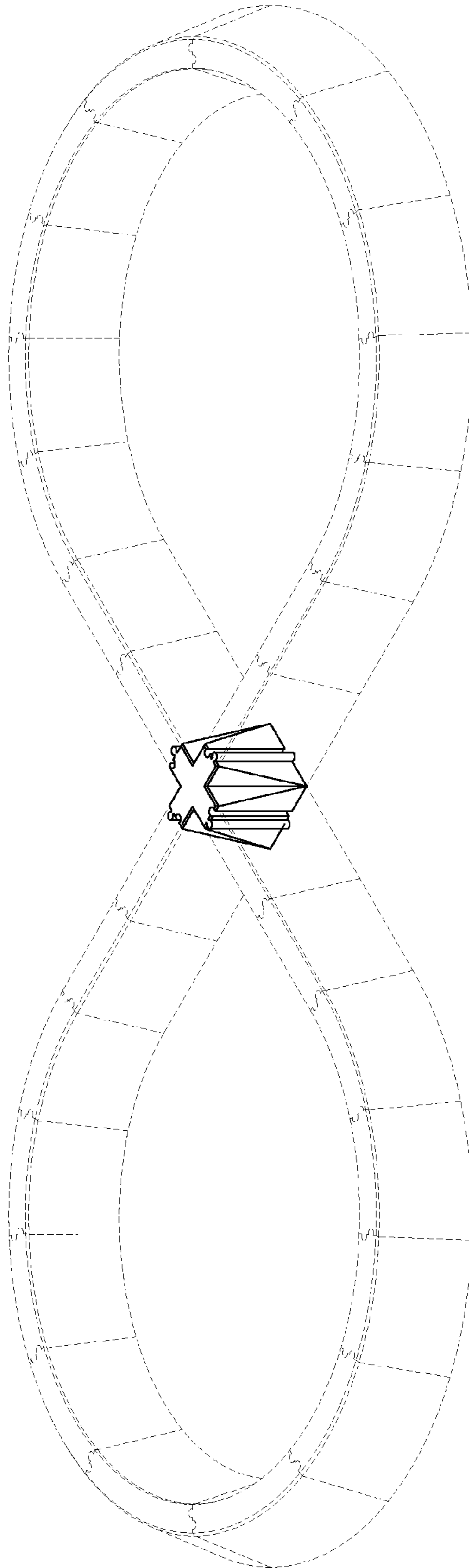


FIG. 5