



US00D621882S

(12) **United States Design Patent**
Williamson et al.

(10) **Patent No.:** **US D621,882 S**

(45) **Date of Patent:** **** Aug. 17, 2010**

(54) **DISC JOCKEY VIDEO GAME CONTROLLER**

(75) Inventors: **Paul Williamson**, Providence, RI (US);
Jonathan Hayes, Boston, MA (US)

(73) Assignee: **Numark Industries, L.P.**, Fort
Lauderdale, FL (US)

(**) Term: **14 Years**

(21) Appl. No.: **29/355,766**

(22) Filed: **Feb. 12, 2010**

Related U.S. Application Data

(62) Division of application No. 29/331,091, filed on Jan.
20, 2009.

(51) **LOC (9) Cl.** **21-01**

(52) **U.S. Cl.** **D21/328; D21/324; D21/333;**
D14/496

(58) **Field of Classification Search** D14/496,
D14/401, 435, 474, 483, 217, 137, 138, 160,
D14/168, 356, 203.1–203.8, 507; 345/156,
345/169, 173–179, 905; 715/727–729, 864;
710/1, 5, 8; 713/1, 600; 455/1.1, 1.7, 73,
455/344–347, 93, 95, 3.01–3.06, 550.1, 573.1;
370/342–344; 369/1, 2, 6–12; 463/43–47,
463/29–35; 273/148 B; D21/324–333
See application file for complete search history.

(56) **References Cited**

U.S. PATENT DOCUMENTS

5,213,327 A * 5/1993 Kitaue 463/38
6,743,104 B1 * 6/2004 Ota et al. 463/44
6,769,603 B2 * 8/2004 Nagai et al. 235/375
D497,522 S * 10/2004 Reichenbach et al. D7/649

D546,396 S * 7/2007 Matsuno D21/324
D565,122 S * 3/2008 Nishizawa et al. D21/329
D577,039 S * 9/2008 Shin et al. D14/496
D580,456 S * 11/2008 Oh et al. D14/496
D581,988 S * 12/2008 Hall et al. D21/329
D587,280 S * 2/2009 Lee et al. D14/496
2004/0014486 A1 * 1/2004 Carlton et al. 455/550.1
2009/0013274 A1 * 1/2009 Haghanegi 715/764
2009/0227284 A1 * 9/2009 Jones 455/556.1

* cited by examiner

Primary Examiner—Prabhakar Deshmukh

(74) *Attorney, Agent, or Firm*—Barlow, Josephs & Holmes,
Ltd.

(57) **CLAIM**

The ornamental design for a disc jockey video game control-
ler, as shown and described.

DESCRIPTION

FIG. 1 is a top perspective view of an embodiment of a disc
jockey video game controller showing our new design;

FIG. 2 is a bottom perspective view thereof;

FIG. 3 is a top plan view thereof;

FIG. 4 is a bottom plan view thereof;

FIG. 5 is a front view thereof;

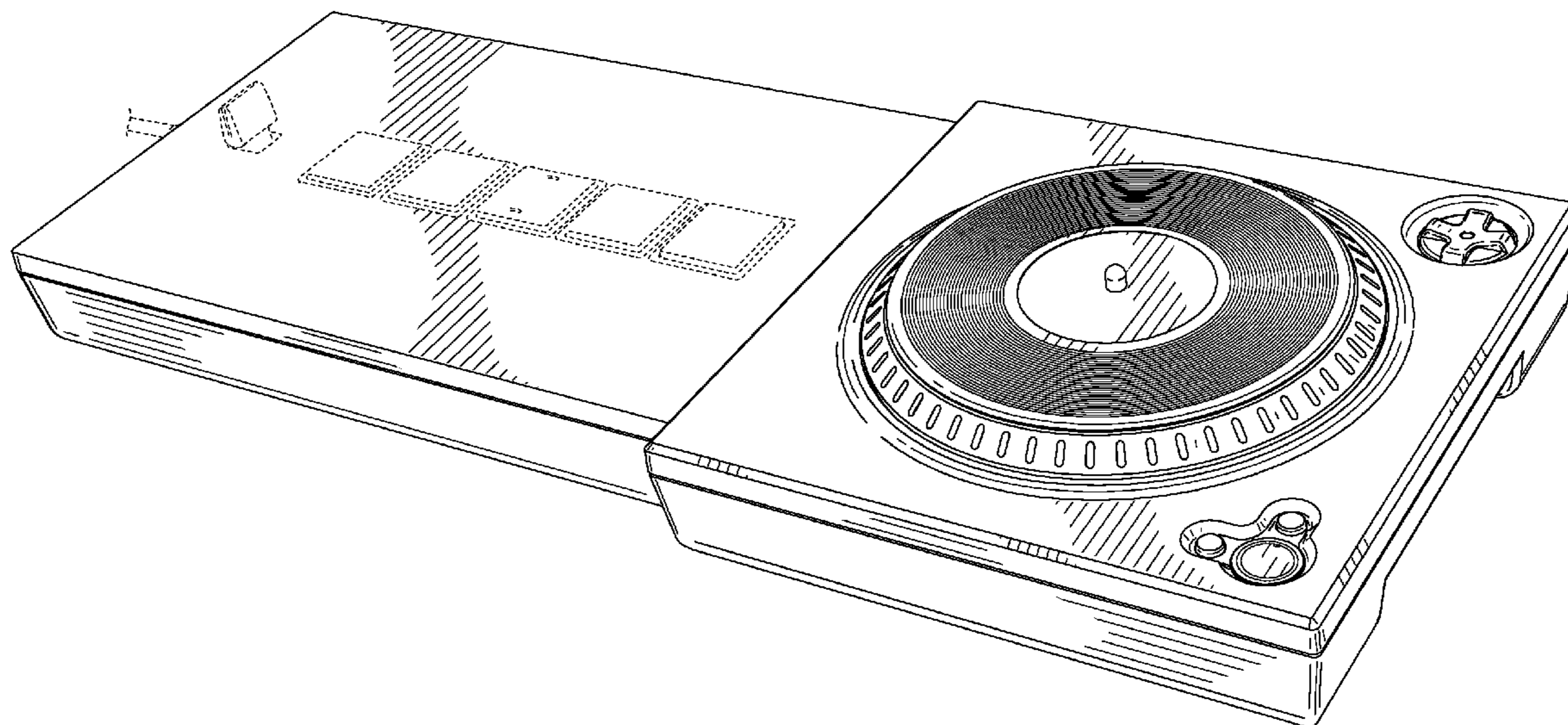
FIG. 6 is a rear view thereof;

FIG. 7 is a left side view thereof; and,

FIG. 8 is a right side view thereof.

The elements depicted in broken lines in the various figures
are included for environmental purposes only, and form no
part of the claimed design.

1 Claim, 7 Drawing Sheets



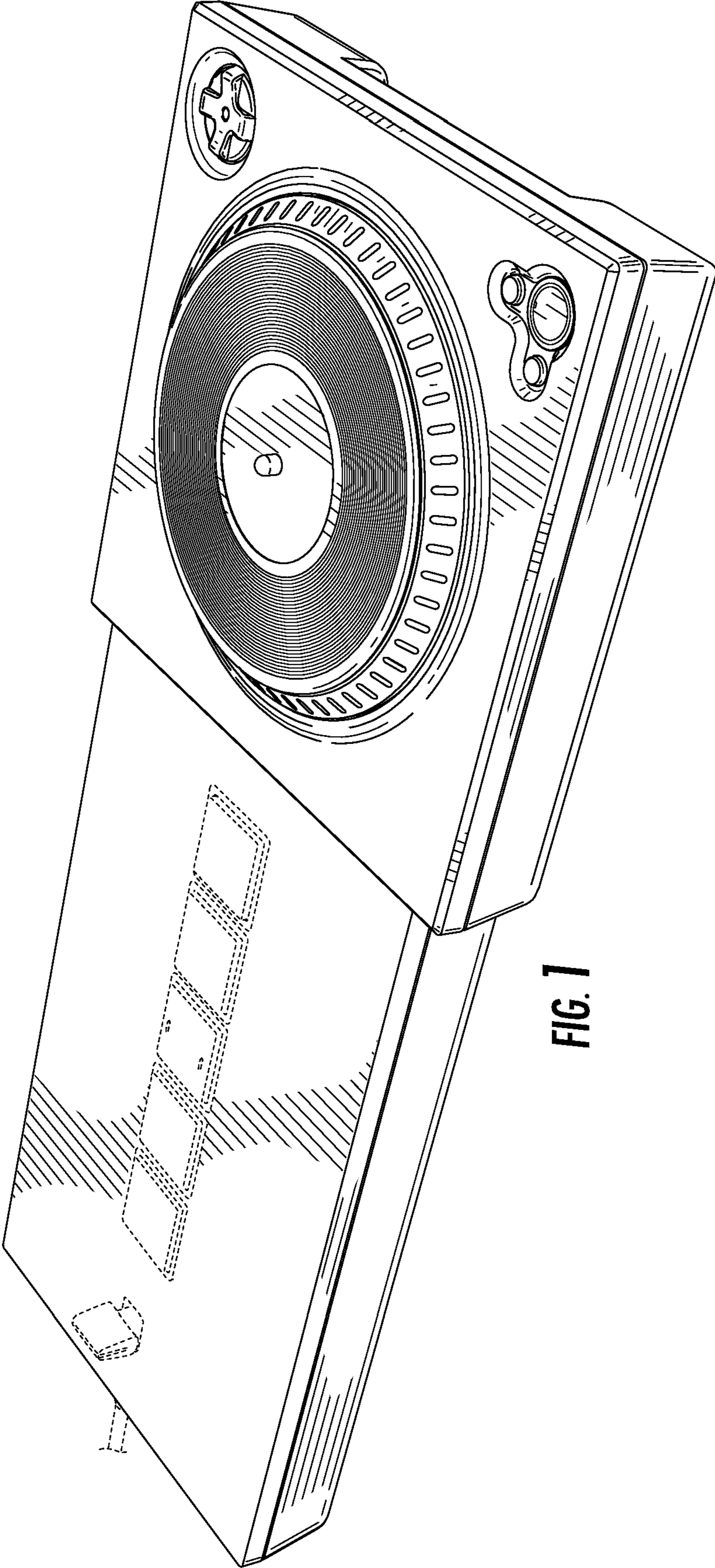


FIG. 1

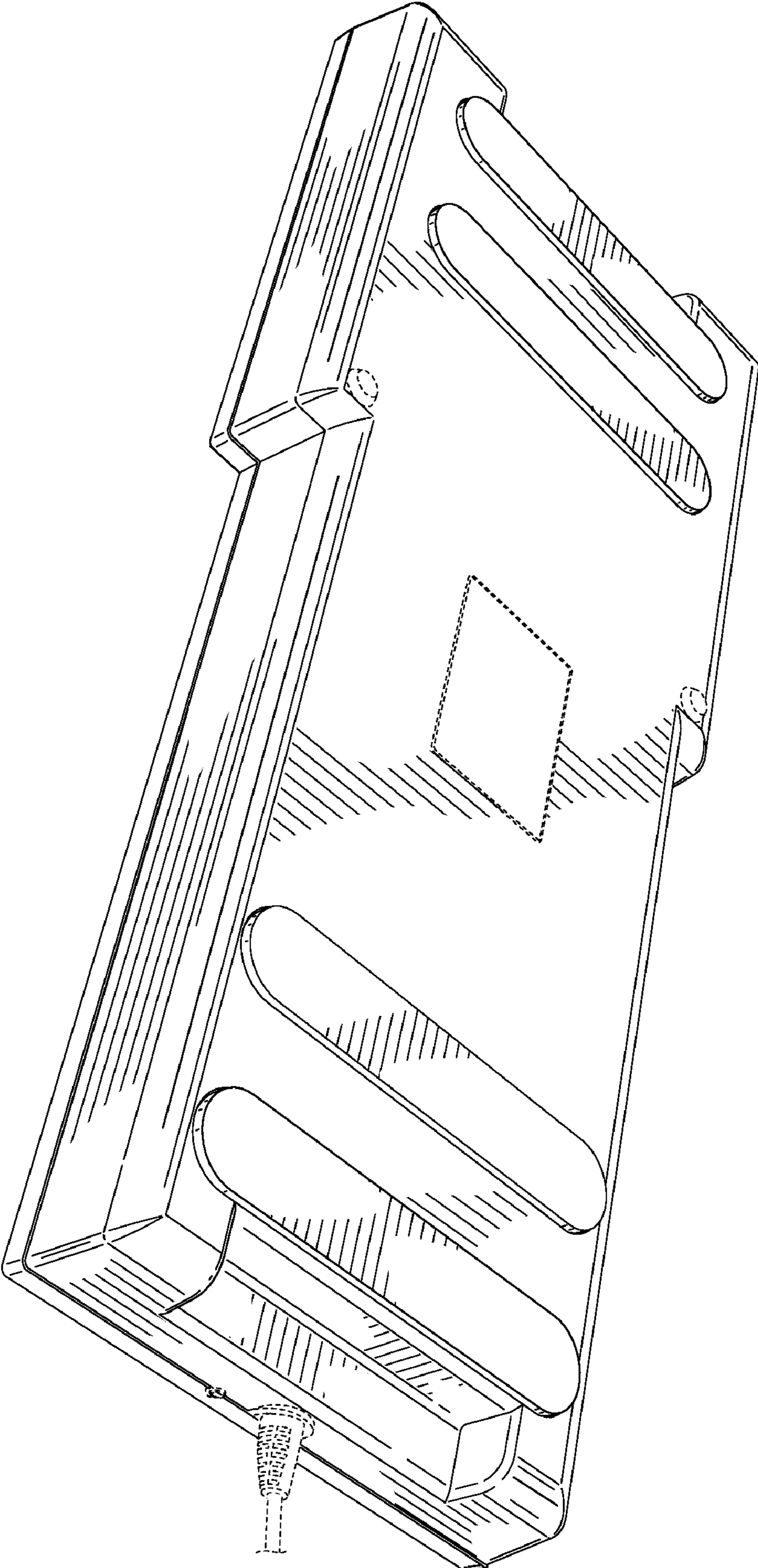


FIG. 2

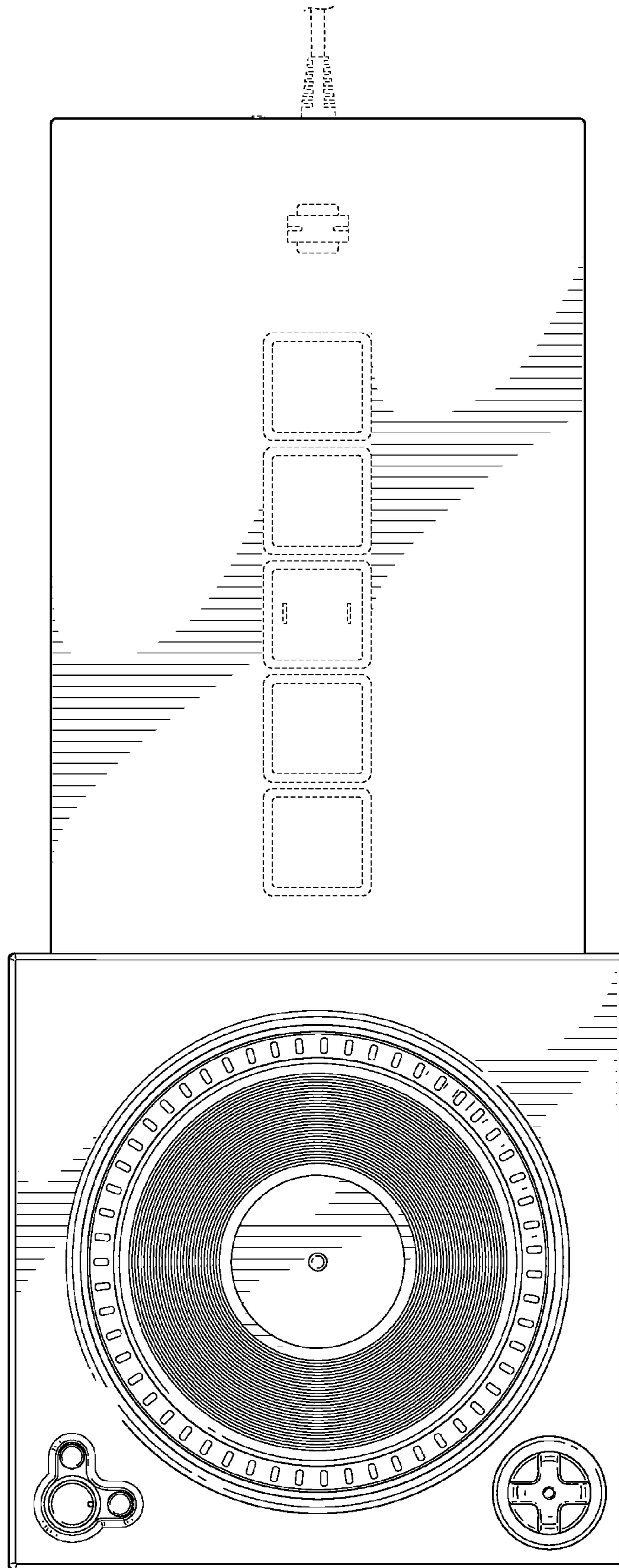


FIG. 3

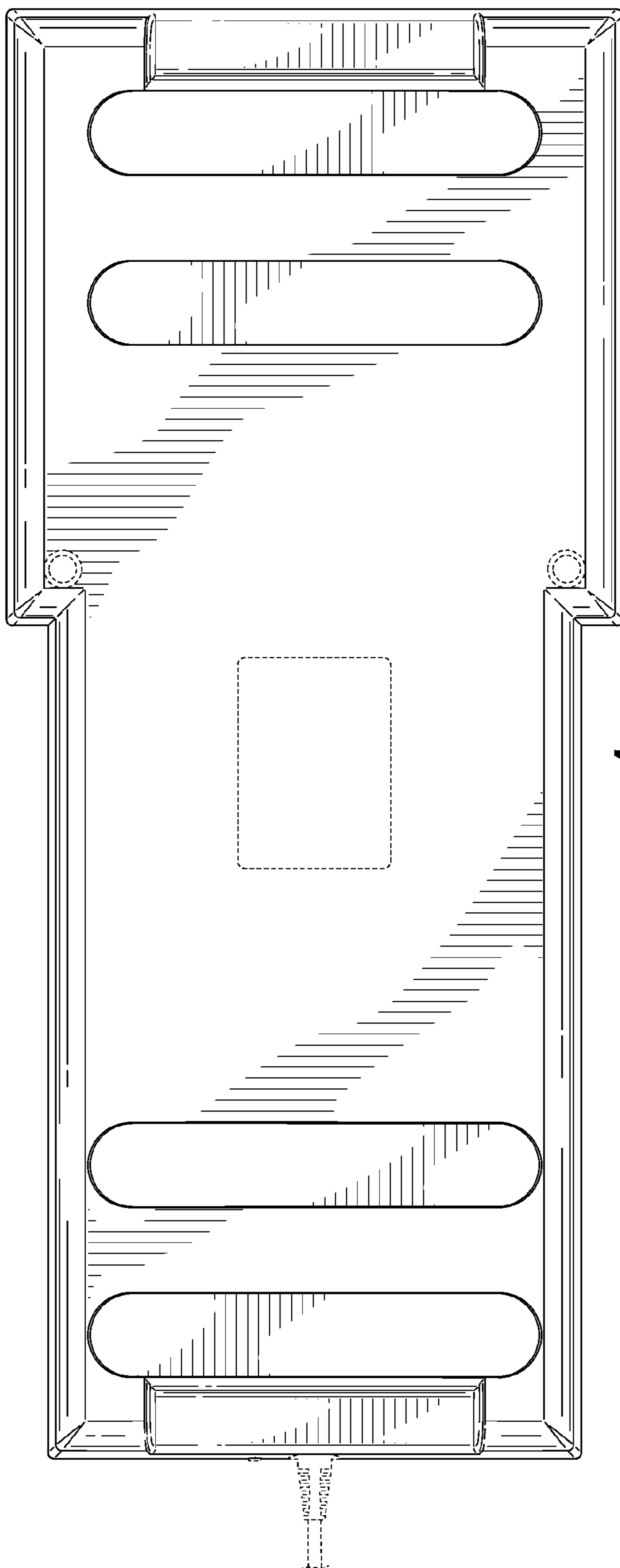


FIG. 4

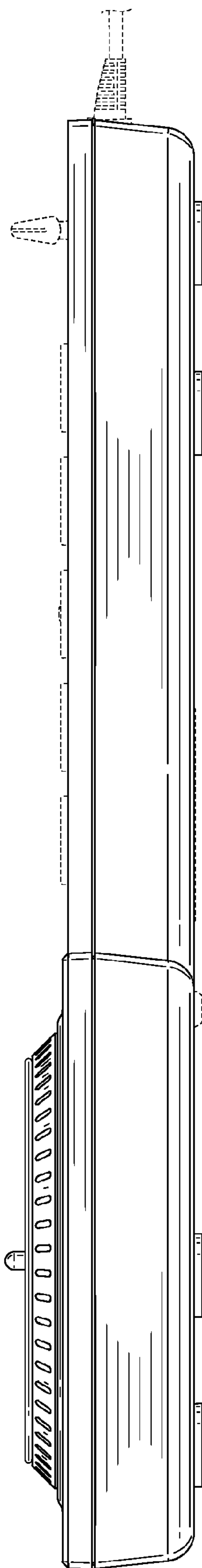


FIG. 5

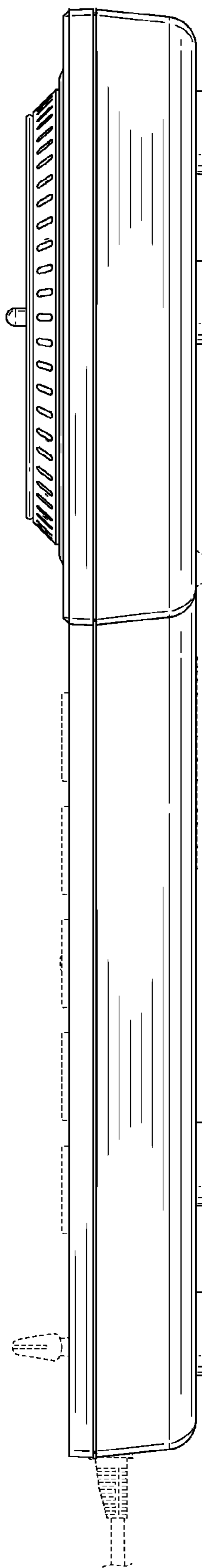


FIG. 6

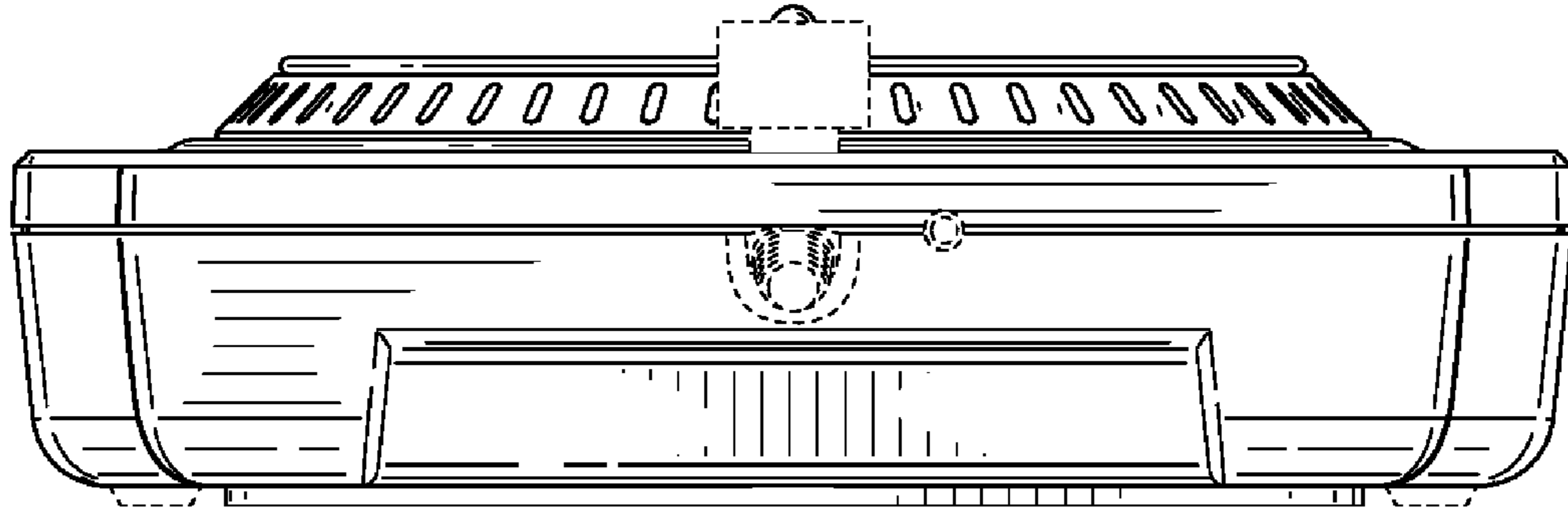


FIG. 7

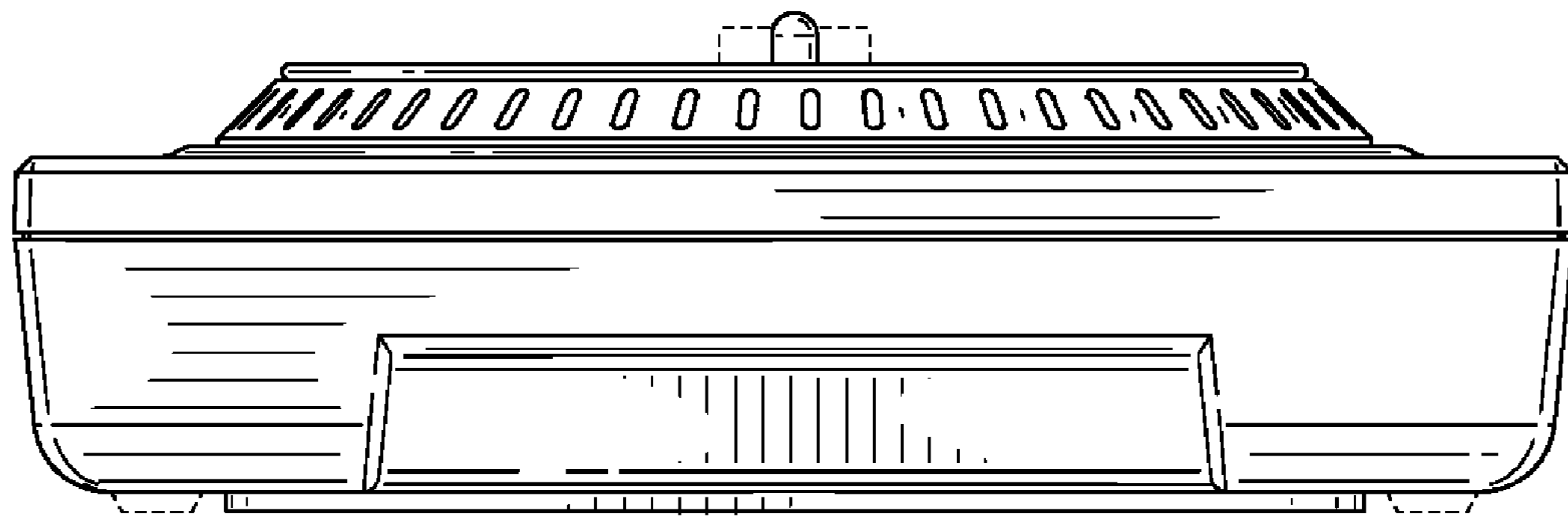


FIG. 8