

US00D621881S

(12) **United States Design Patent**
Youngberg et al.

(10) **Patent No.:** **US D621,881 S**

(45) **Date of Patent:** **** Aug. 17, 2010**

(54) **WASHER TOSS GAME TARGET**

6,244,598 B1 * 6/2001 Conville 273/402
D474,246 S * 5/2003 Carr D21/303
D586,406 S * 2/2009 Held et al. D21/303

(76) Inventors: **Kurt Youngberg**, 12601 Martha Ann
Dr., Los Alamitos, CA (US) 90720;
James Wright, 11650 Panay St.,
Cypress, CA (US) 90630

* cited by examiner

Primary Examiner—Prabhakar Deshmukh
(74) *Attorney, Agent, or Firm*—Dennis W. Beech

(**) Term: **14 Years**

(21) Appl. No.: **29/313,903**

(22) Filed: **Feb. 17, 2009**

(51) **LOC (9) Cl.** **21-01**

(52) **U.S. Cl.** **D21/303**

(58) **Field of Classification Search** D21/300,
D21/302, 303, 312, 322, 324, 342; 273/317,
273/348, 398–402, 407, 408, 410, 108, 113;
473/569

See application file for complete search history.

(56) **References Cited**

U.S. PATENT DOCUMENTS

3,003,767 A * 10/1961 Keuls 273/138.1
4,243,229 A * 1/1981 Huser et al. 273/402
4,923,201 A * 5/1990 Nichol et al. 273/371
4,961,586 A * 10/1990 Conville 273/402
4,968,041 A * 11/1990 Calvo 273/401
D375,125 S * 10/1996 Mallek et al. D21/303

(57) **CLAIM**

The ornamental design for a washer toss game target, as shown and described.

DESCRIPTION

FIG. 1 is a top plan view of the washer toss game target showing my new design;

FIG. 2 is a left side elevation view of the invention thereof;

FIG. 3 is a front elevation view thereof;

FIG. 4 is a rear elevation view thereof;

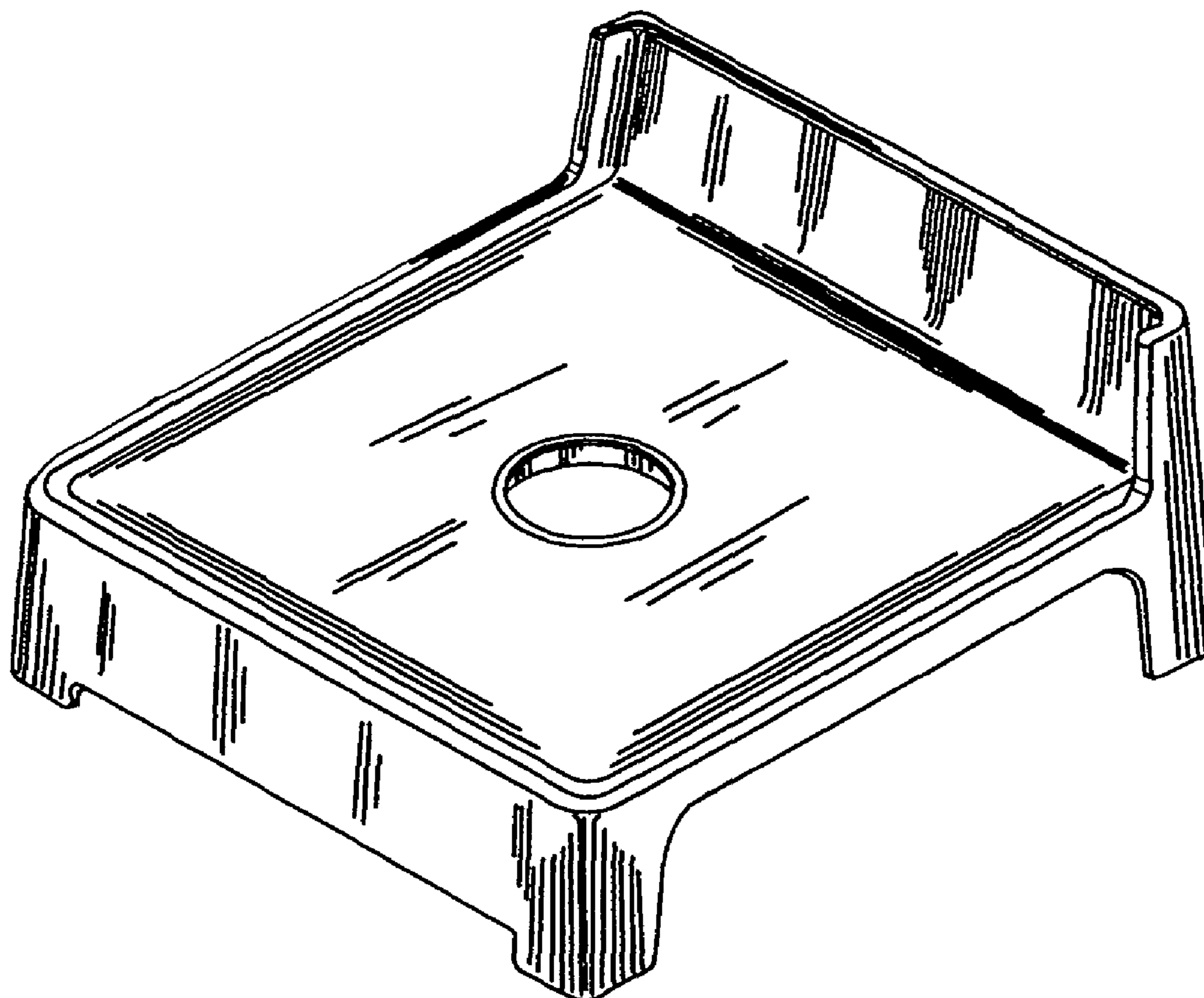
FIG. 5 is a top perspective view thereof;

FIG. 6 is a bottom perspective view thereof; and,

FIG. 7 is a cross-sectional view along the line 7—7 in FIG. 5.

The broken line showing of the grid structure in FIGS. 6 and 7 is for illustrative purposes only and forms no part of the claimed design.

1 Claim, 2 Drawing Sheets



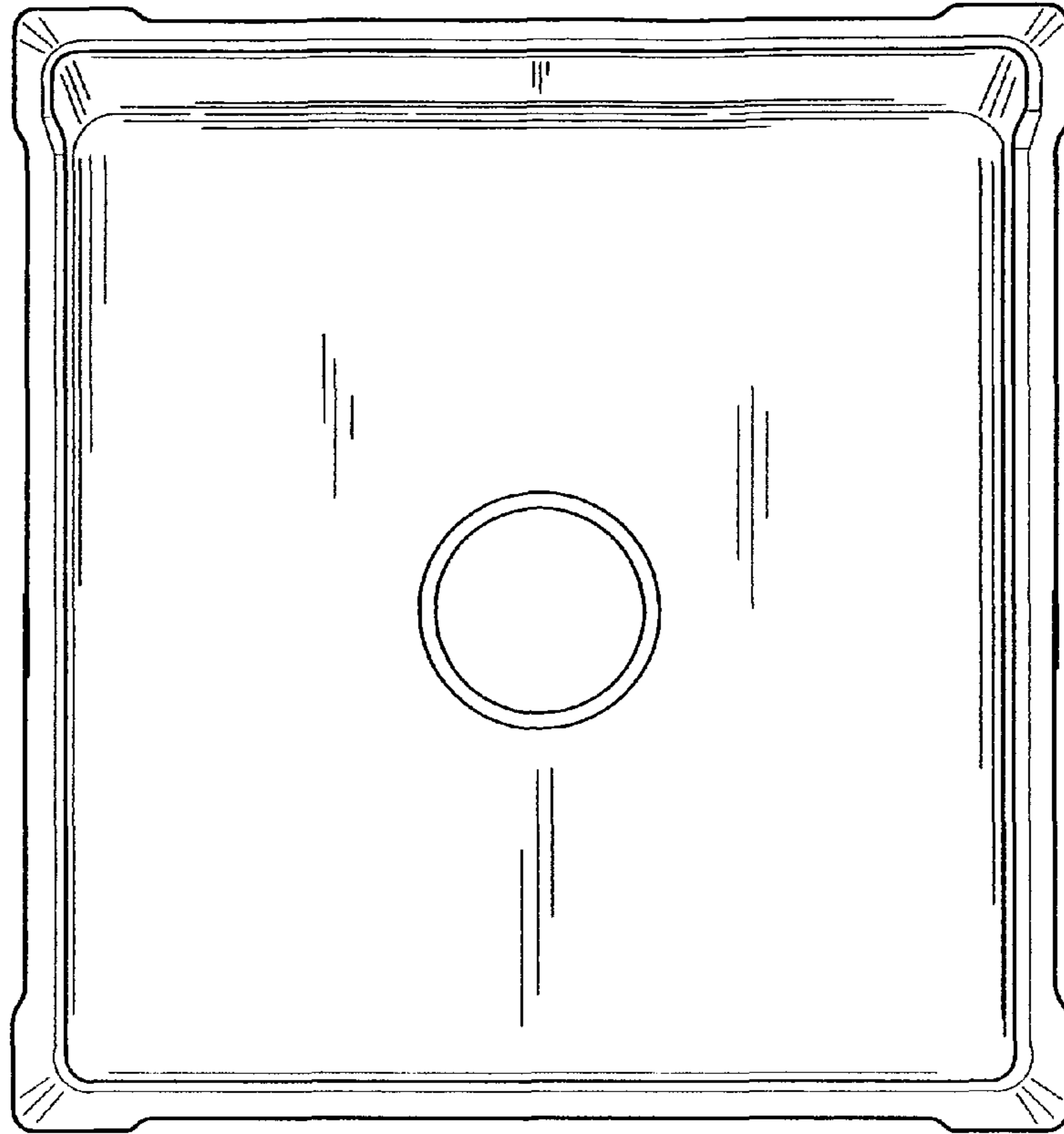


FIG. 1

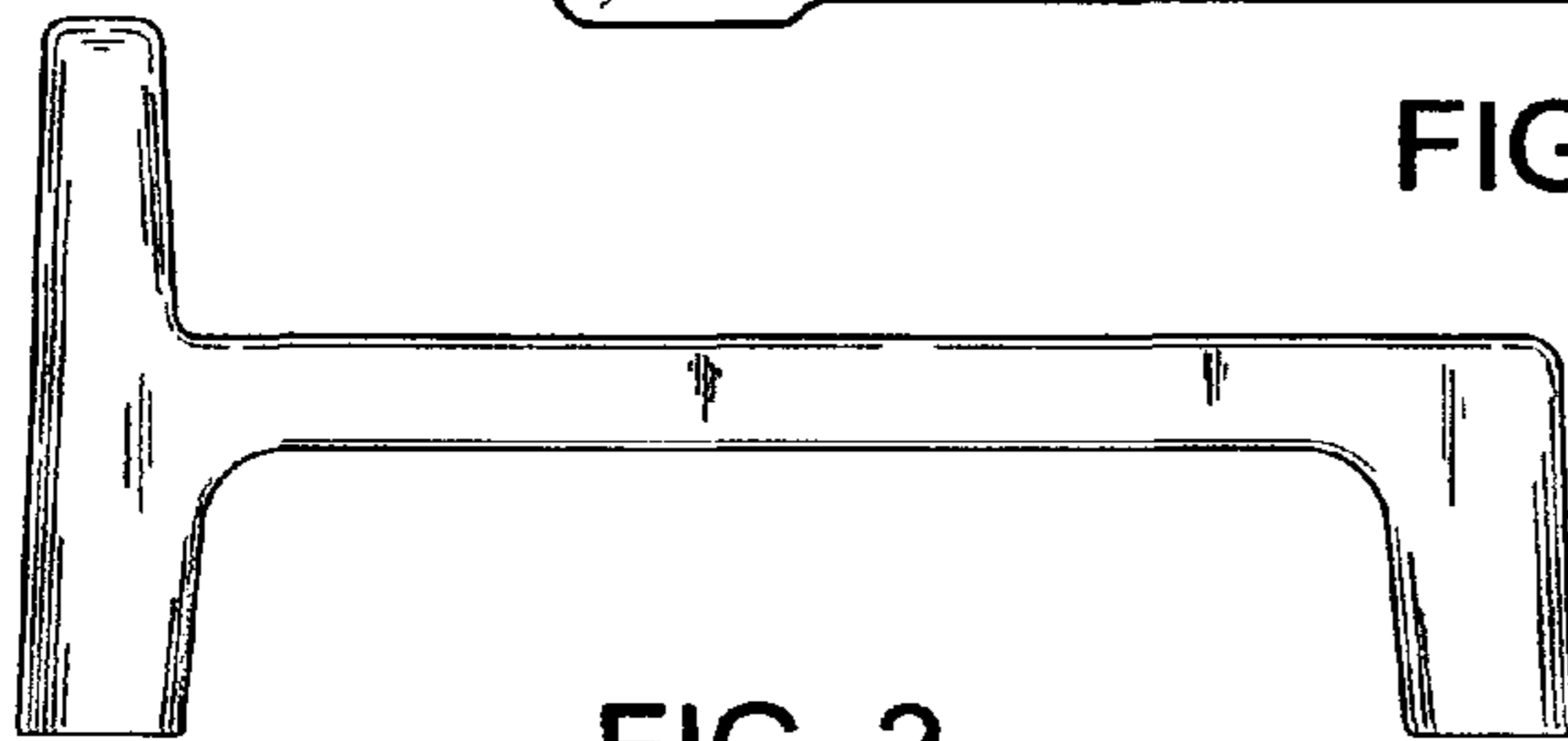


FIG. 2

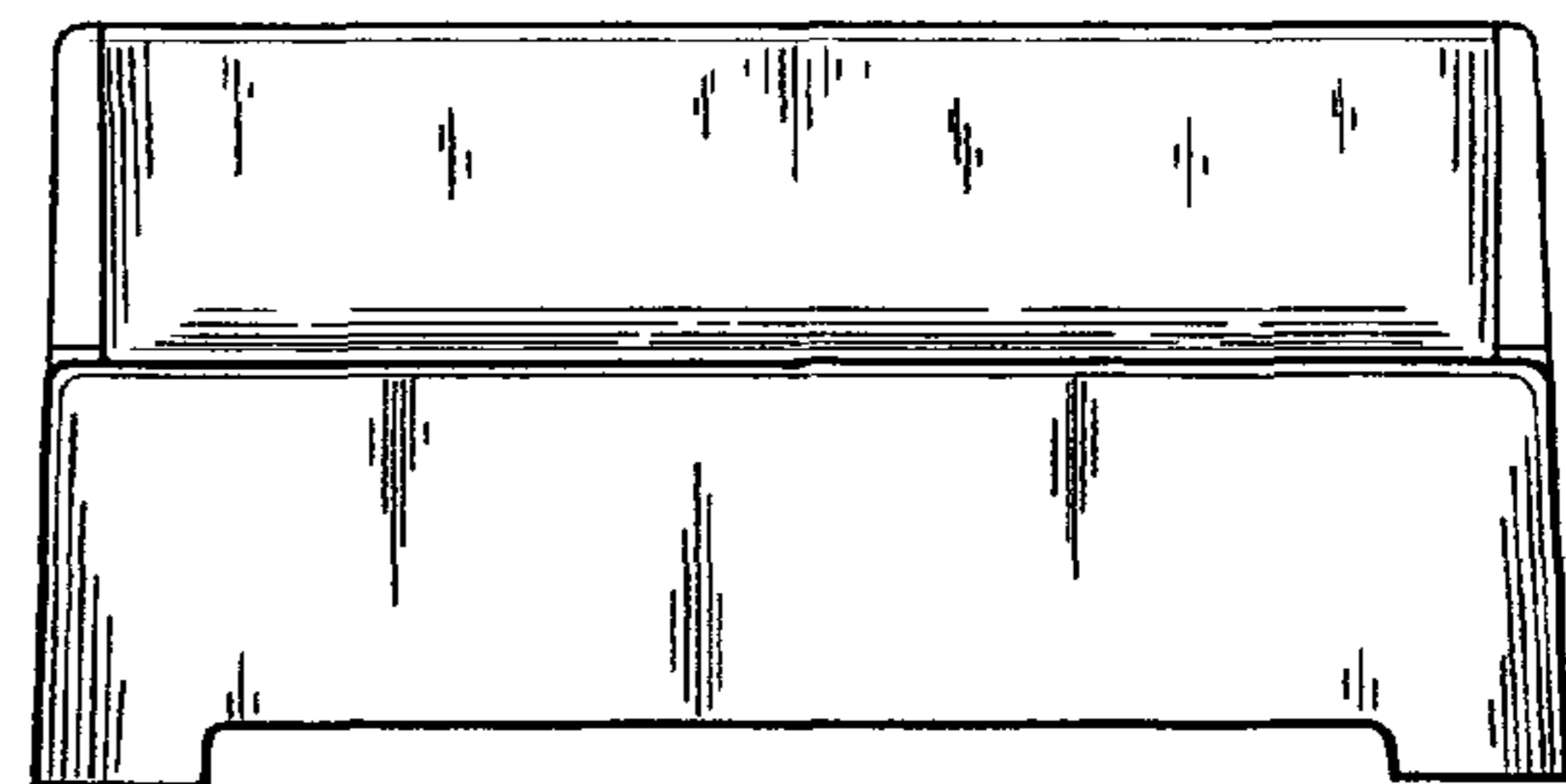


FIG. 3

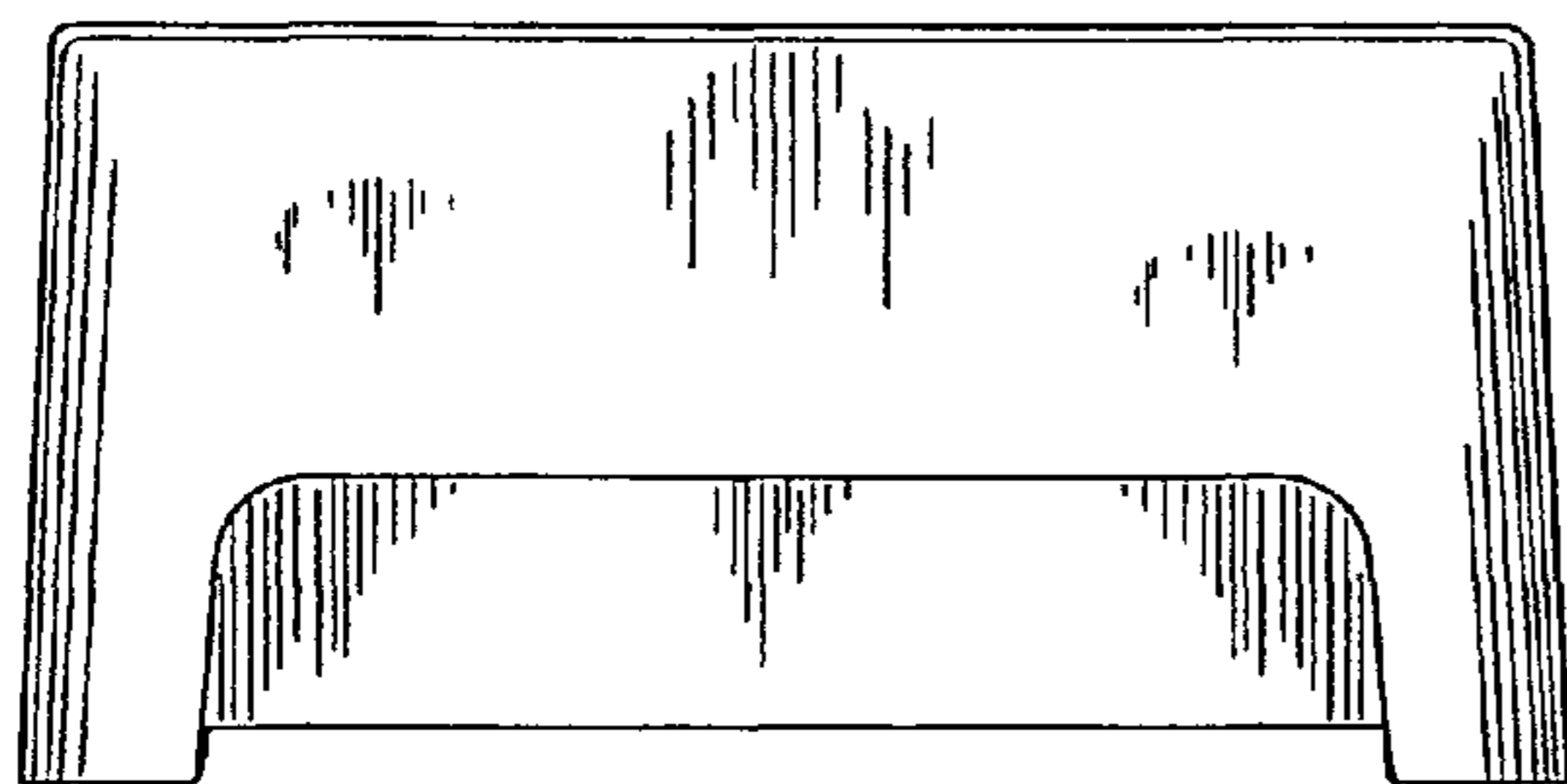


FIG. 4

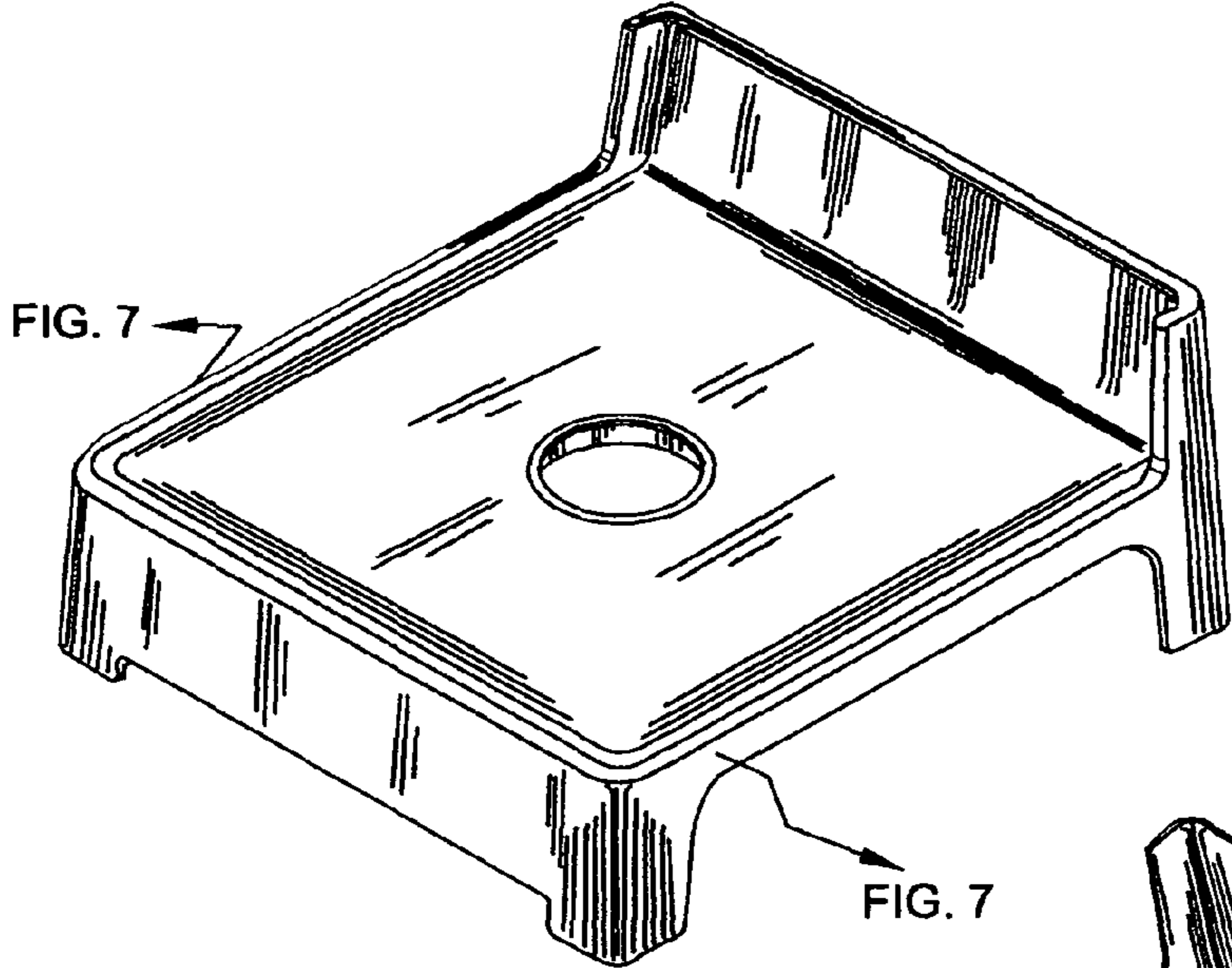


FIG. 5

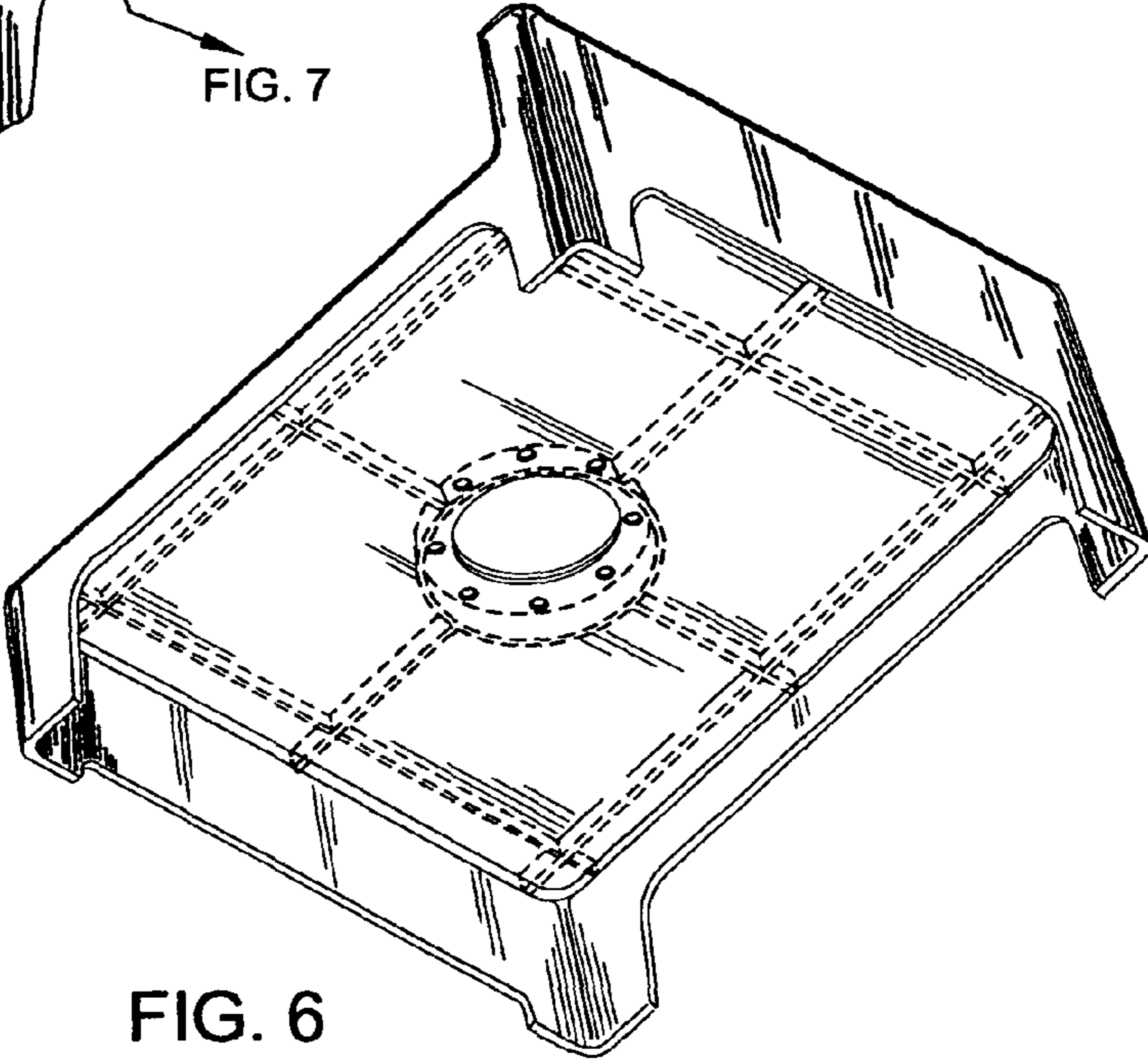


FIG. 6

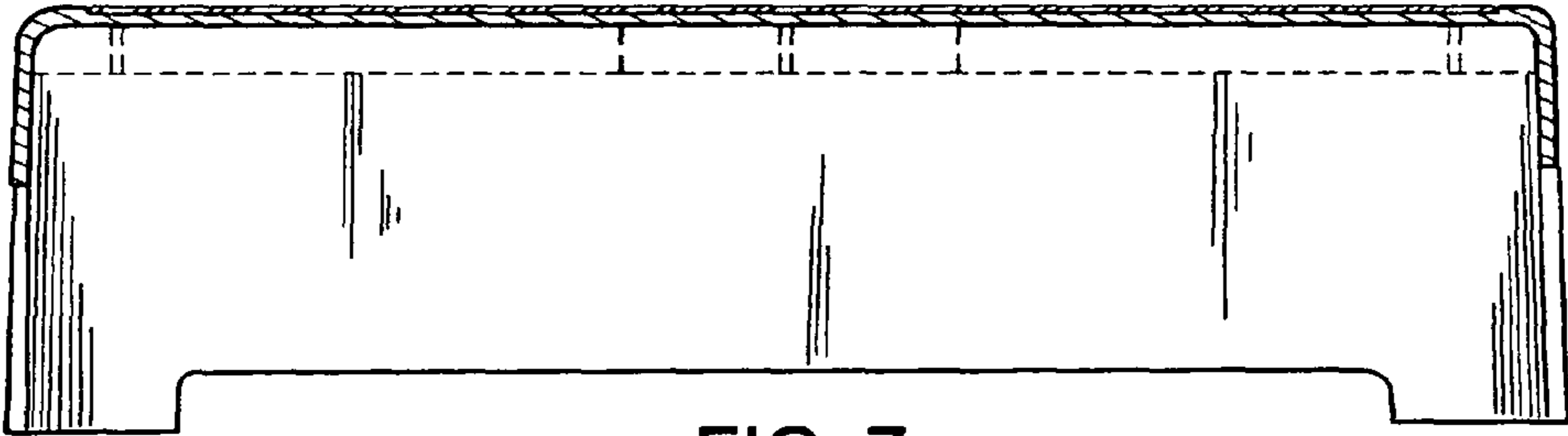


FIG. 7