



US00D621873S

(12) **United States Design Patent**  
**Tsai**

(10) **Patent No.:** **US D621,873 S**  
(45) **Date of Patent:** **\*\* Aug. 17, 2010**

(54) **FIRE TORNADO LAMP**

5,921,766 A 7/1999 Dobbeling et al.

(75) Inventor: **Her Mann Tsai**, Singapore (SG)

(73) Assignee: **Science Centre Board**, Singapore (SG)

(Continued)

(\*\*) Term: **14 Years**

**OTHER PUBLICATIONS**

(21) Appl. No.: **29/350,128**

Notice of Allowance for U.S. Appl. No. 29/353,720, mailed Apr. 8, 2010.

(22) Filed: **Nov. 11, 2009**

*Primary Examiner*—T. Chase Nelson  
*Assistant Examiner*—Ania K Dworzecka  
(74) *Attorney, Agent, or Firm*—Sheridan Ross P.C.

(30) **Foreign Application Priority Data**

Jul. 9, 2009 (SG) ..... D2009/536/G

(51) **LOC (9) Cl.** ..... **19-07**

(52) **U.S. Cl.** ..... **D19/26**

(58) **Field of Classification Search** ..... D26/1-23,  
D26/114-137, 110; D11/117; 428/7-11;  
431/291, 311, 320, 298, 288; 362/161-163,  
362/351, 569, 392; D19/62, 59, 100; 40/406,  
40/407

See application file for complete search history.

(57) **CLAIM**

The ornamental design for a fire tornado lamp, as shown and described.

**DESCRIPTION**

FIG. 1 is a perspective view of fire tornado lamp showing my new design;

FIG. 2 is a front elevation view thereof, the rear elevation view being a mirror image of the front elevation;

FIG. 3 is a right elevation view thereof, the left elevation view being a mirror image of the right elevation;

FIG. 4 is a top plan view thereof;

FIG. 5 is a bottom plan view thereof;

FIG. 6 is a perspective view of another embodiment of the lamp, the only difference being that a top portion of the lamp is generally transparent;

FIG. 7 is a front elevation view thereof, the rear elevation view being a mirror image of the front elevation;

FIG. 8 is a right elevation view thereof, the left elevation view being a mirror image of the right elevation;

FIG. 9 is a top plan view thereof; and,

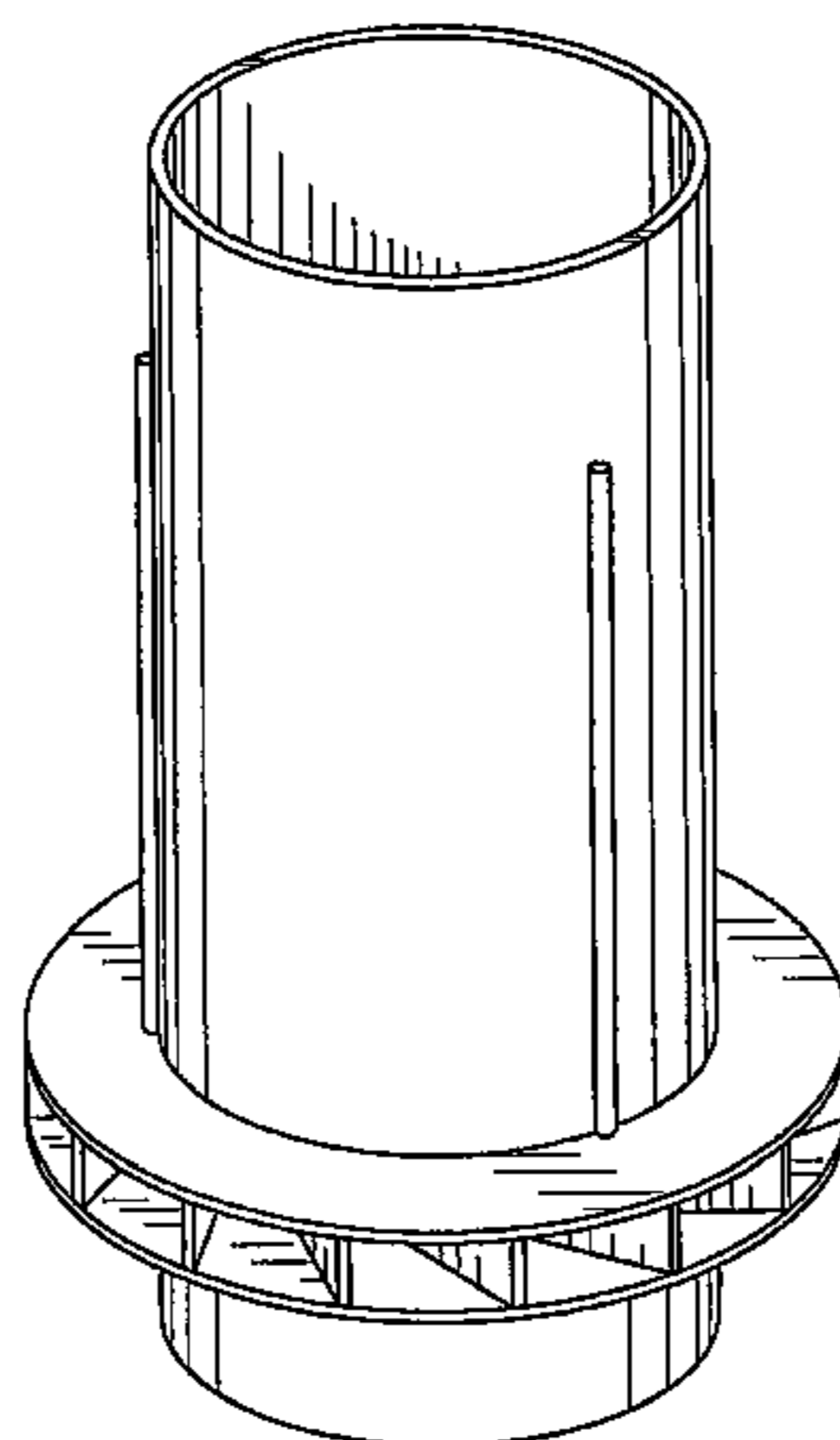
FIG. 10 is a bottom plan view thereof.

(56) **References Cited**

**U.S. PATENT DOCUMENTS**

D174,398 S *	4/1955	Reachi	.....	D26/111
3,418,651 A	12/1968	Jacobson		
D216,364 S	12/1969	Benz		
3,589,044 A	6/1971	Morrison et al.		
3,808,802 A	5/1974	Tanasawa		
D249,180 S *	8/1978	Vanbragt	.....	D26/6
D249,384 S *	9/1978	Vanbragt	.....	D26/6
4,124,353 A	11/1978	Prudhon et al.		
4,215,500 A	8/1980	Sharp		
4,258,912 A	3/1981	Reighart, II		
D271,056 S *	10/1983	Perkins	.....	D26/11
D292,932 S	11/1987	McGinley		
D301,749 S *	6/1989	Comstock	.....	D26/9
5,055,031 A	10/1991	Werner		
5,154,059 A	10/1992	Keller		
5,416,994 A	5/1995	McLaughlin		
5,674,066 A	10/1997	Hausermann et al.		
5,738,508 A	4/1998	Dobbeling et al.		
5,876,196 A	3/1999	Knopf et al.		

**1 Claim, 4 Drawing Sheets**



# US D621,873 S

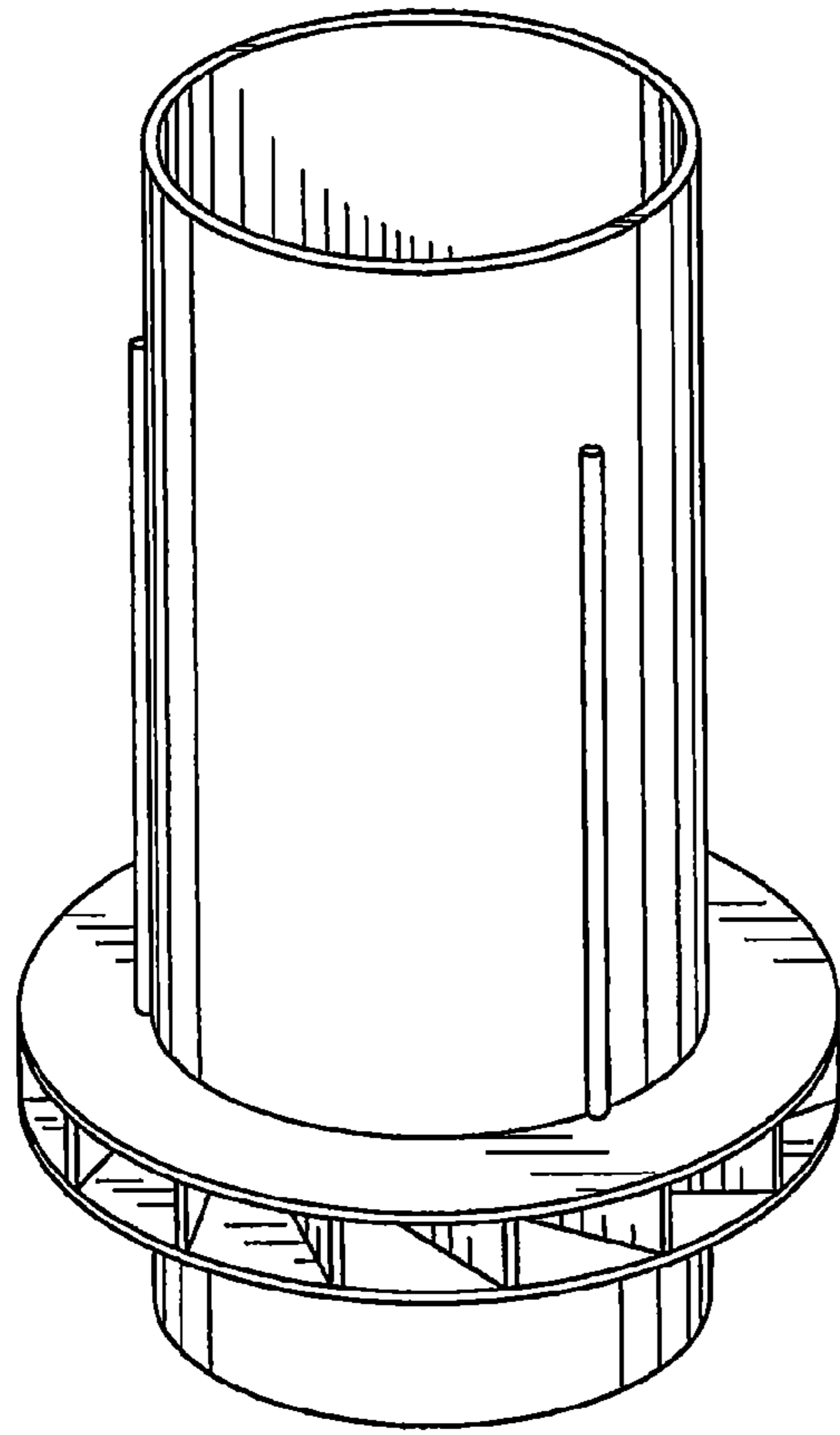
Page 2

---

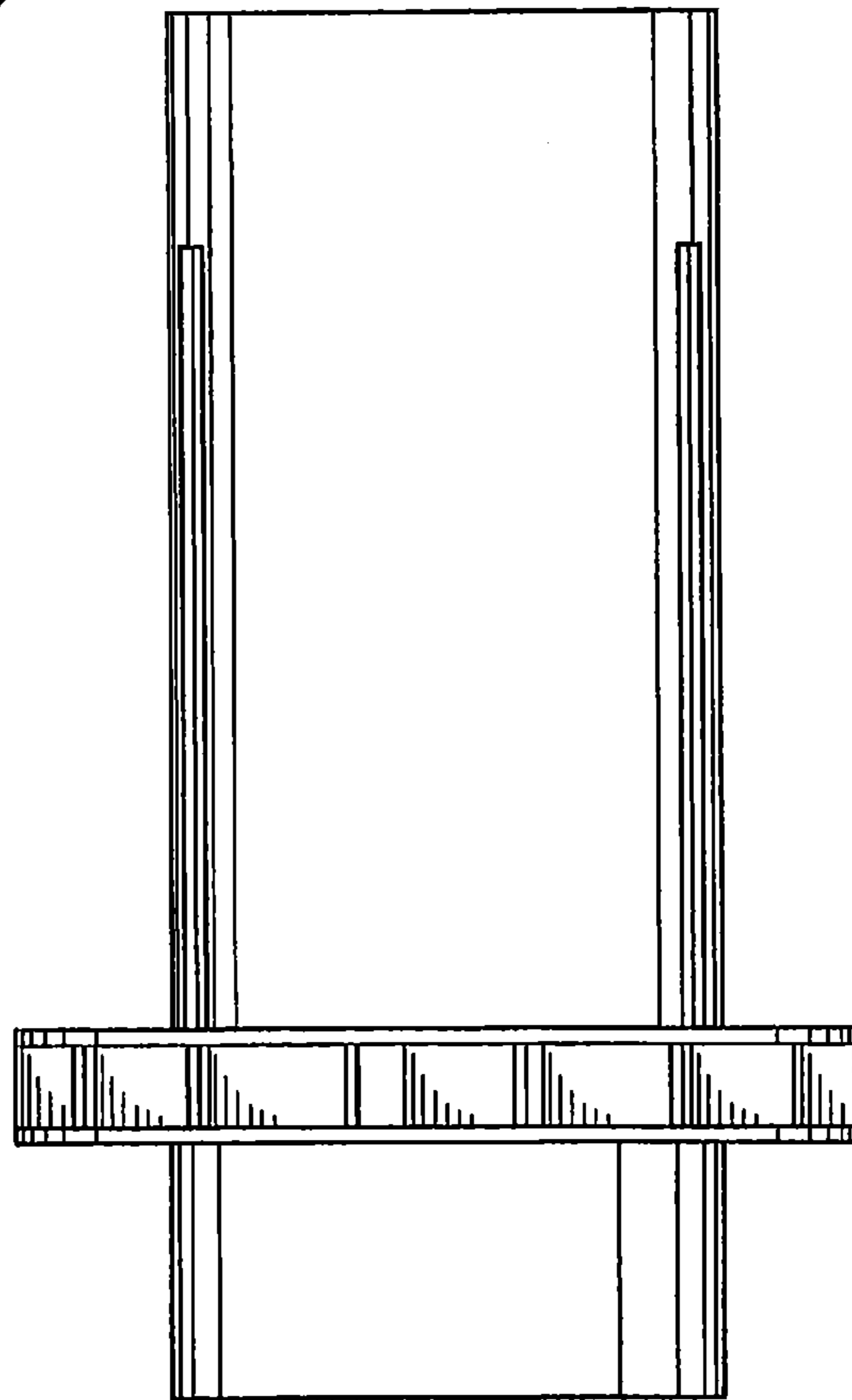
## U.S. PATENT DOCUMENTS

6,098,406	A	8/2000	Bolis et al.	6,457,899	B1	10/2002	Lin	
D433,168	S	* 10/2000	Cousins ..... D26/9	6,468,071	B2 *	10/2002	Zou ..... 431/290	
6,176,087	B1	1/2001	Snyder et al.	6,513,329	B1	2/2003	Snyder et al.	
6,196,835	B1	3/2001	Gutmark et al.	6,733,279	B2	5/2004	Thigpen et al.	
6,241,359	B1	6/2001	Lin	7,097,448	B2	8/2006	Chesney	
6,261,088	B1	7/2001	Butler	D542,437	S *	5/2007	Snow ..... D26/22	
6,270,338	B1	8/2001	Eroglu et al.	D543,647	S *	5/2007	Goldenberg ..... D26/22	
				2009/0093318	A1	4/2009	Piontek	

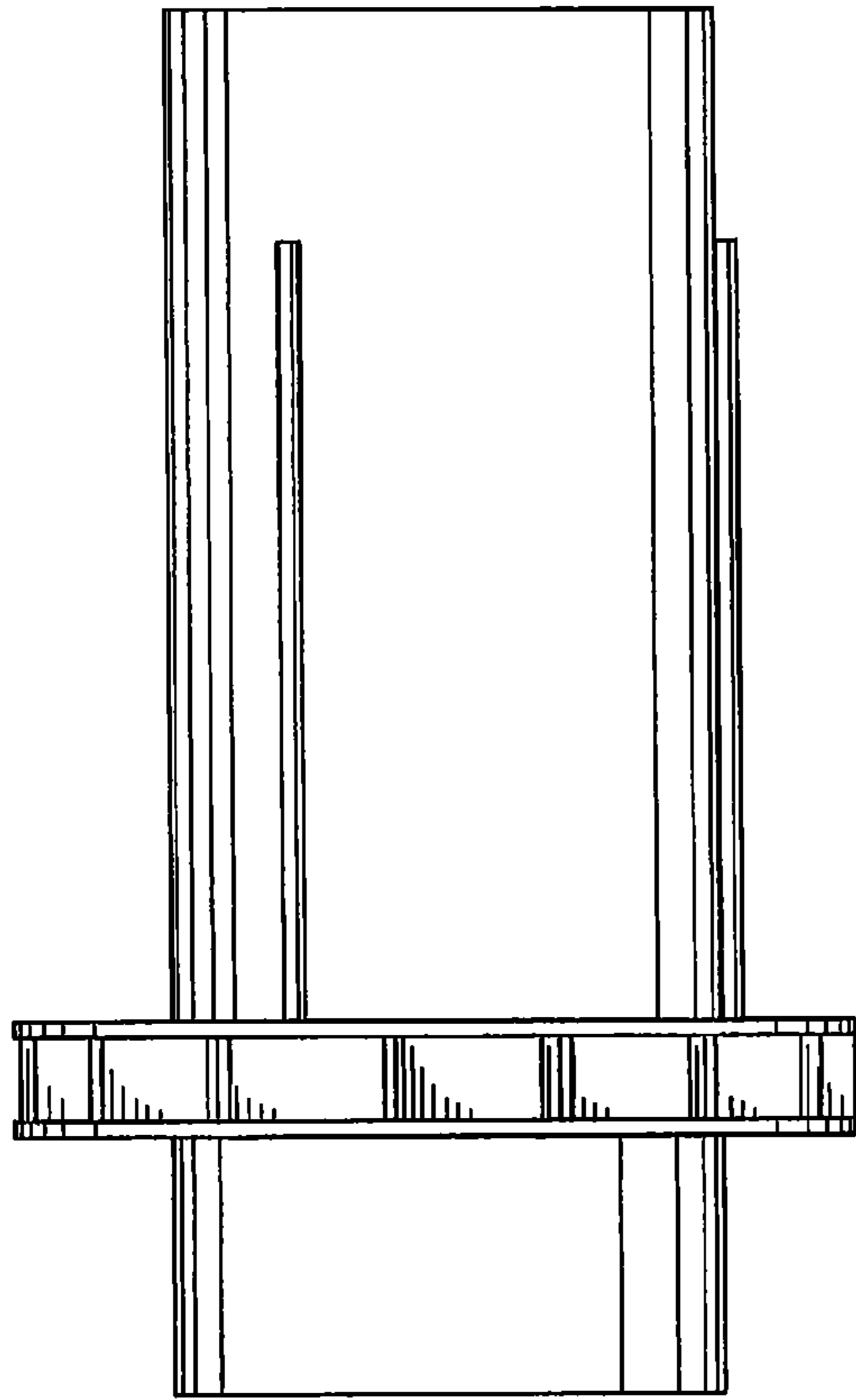
\* cited by examiner



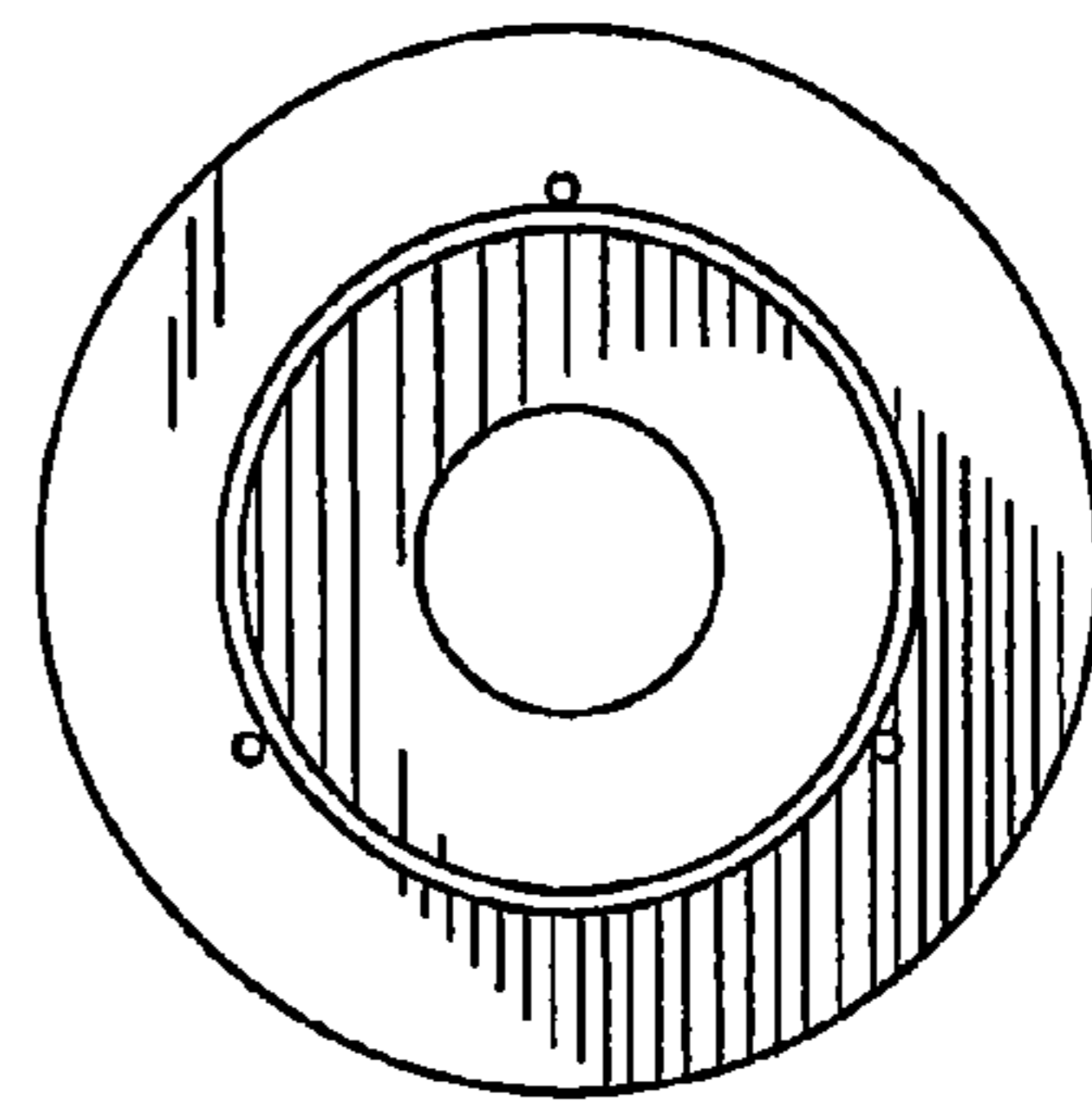
**Fig. 1**



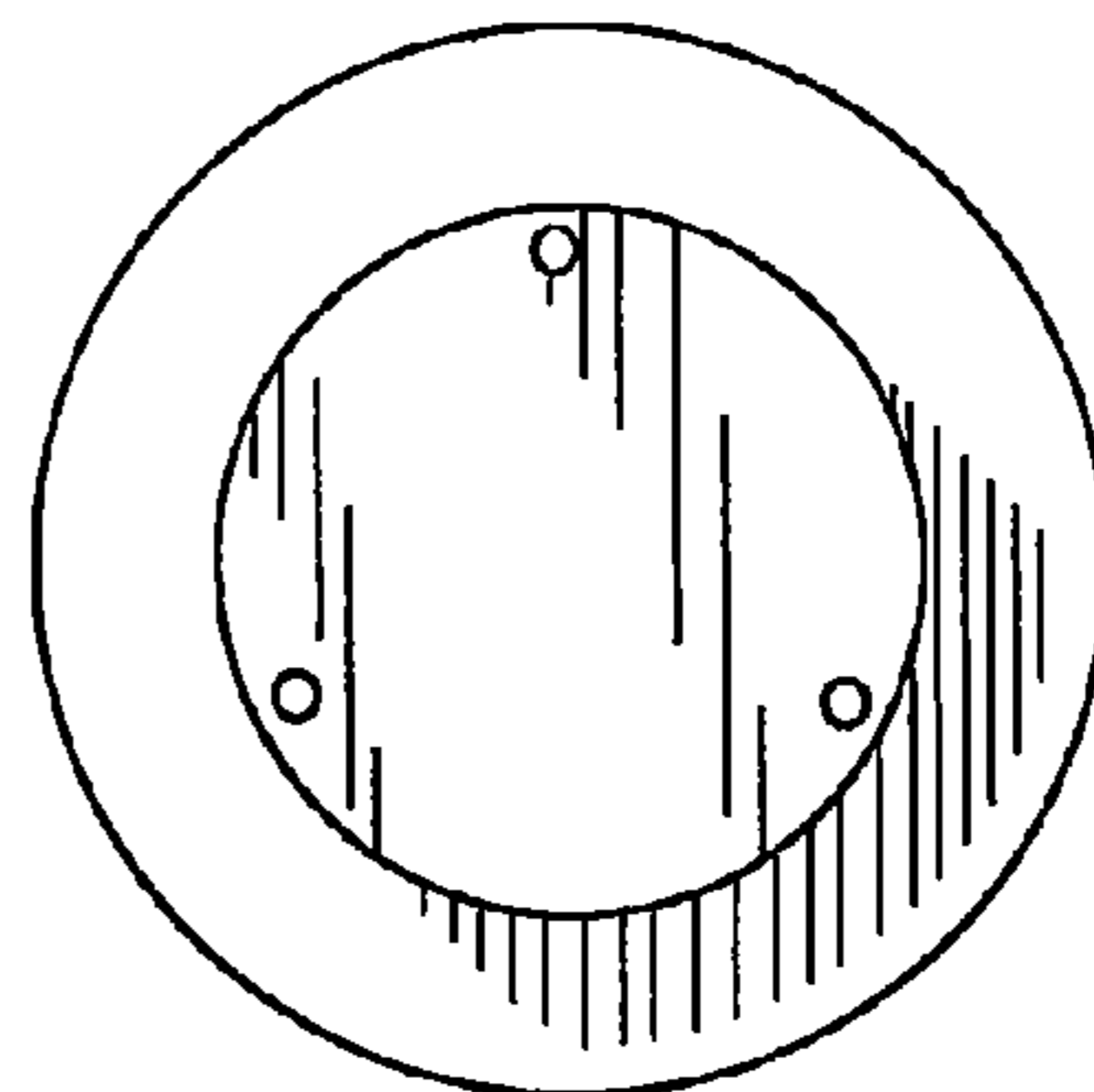
**Fig. 2**



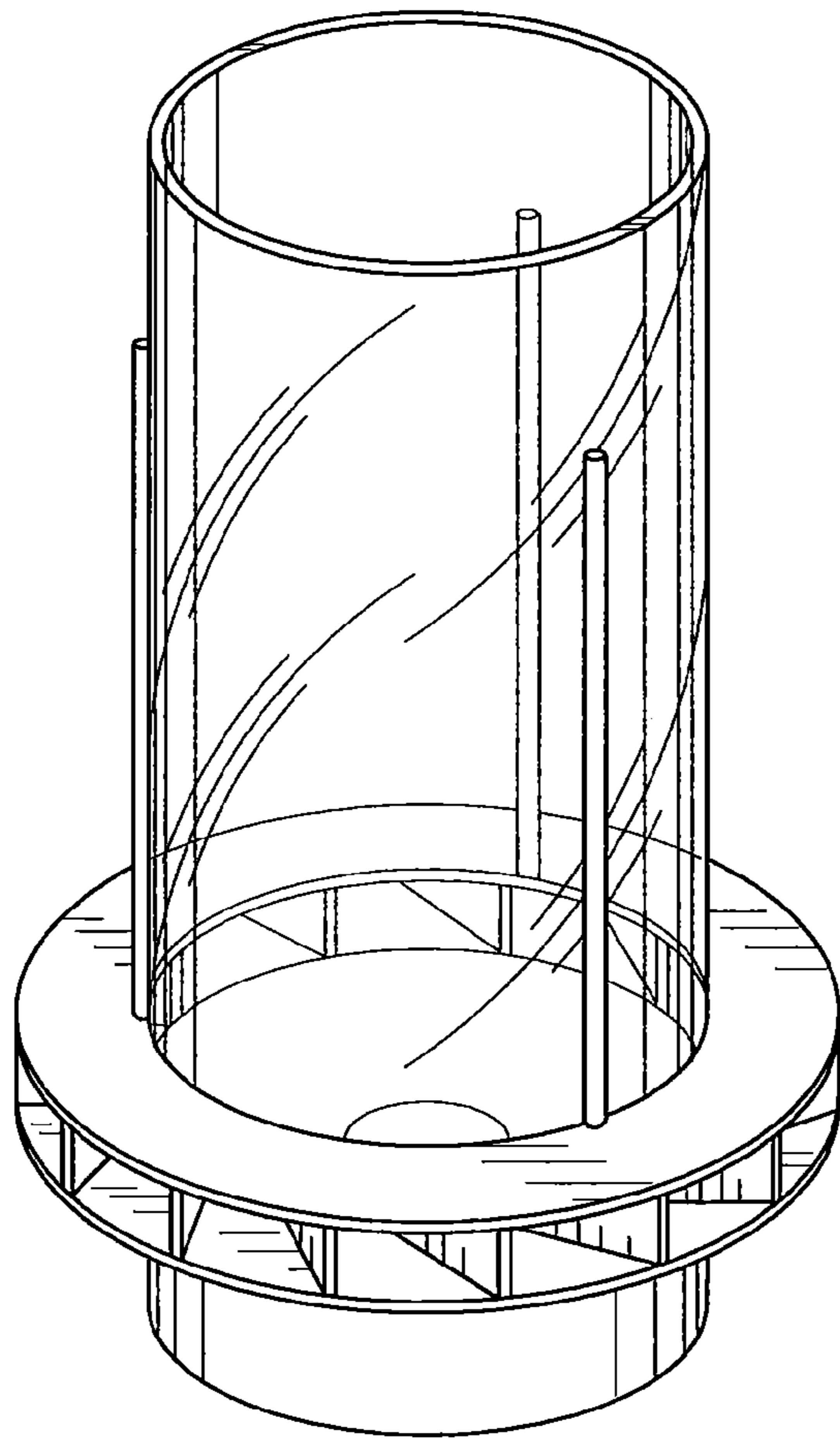
**Fig. 3**



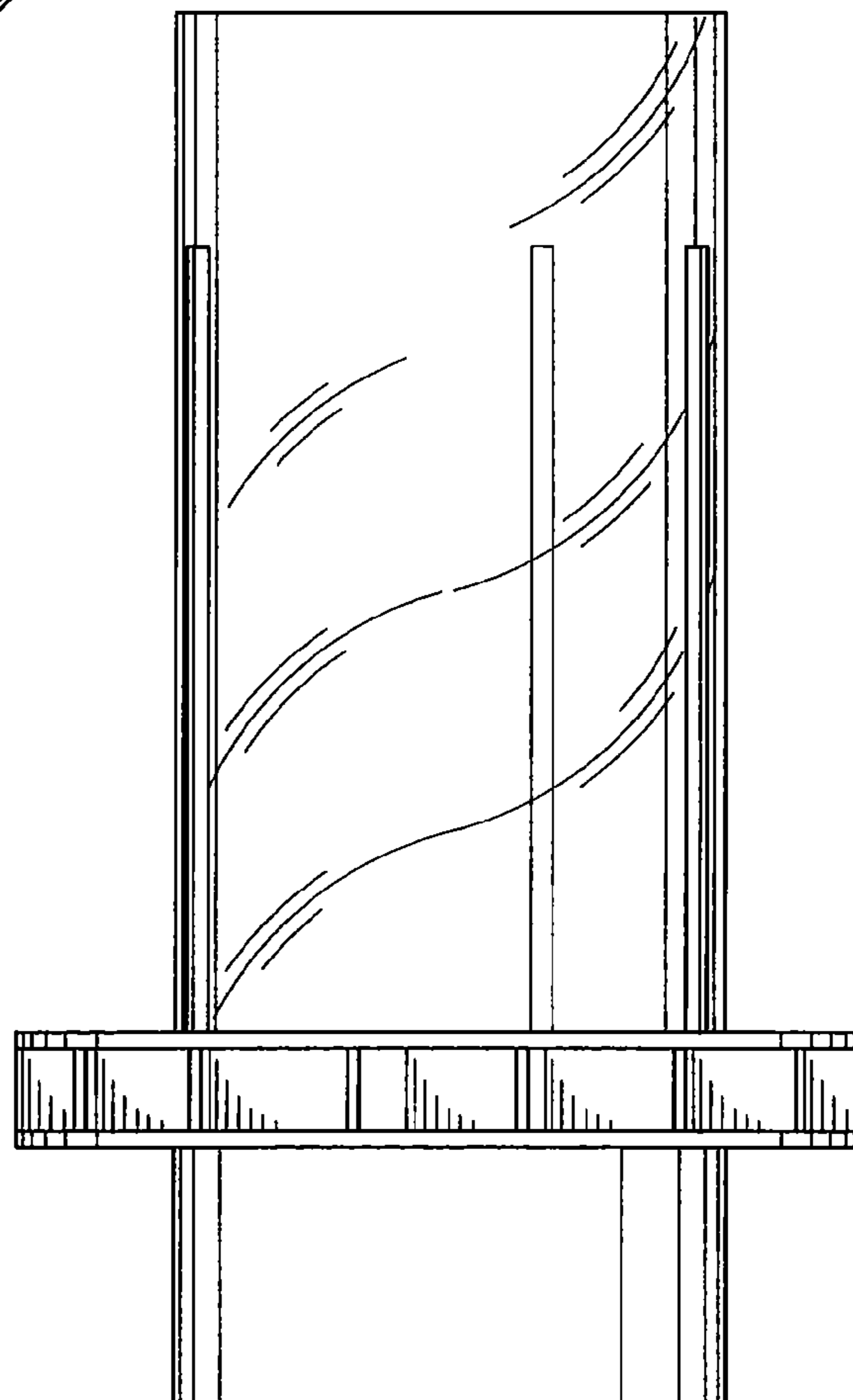
**Fig. 4**



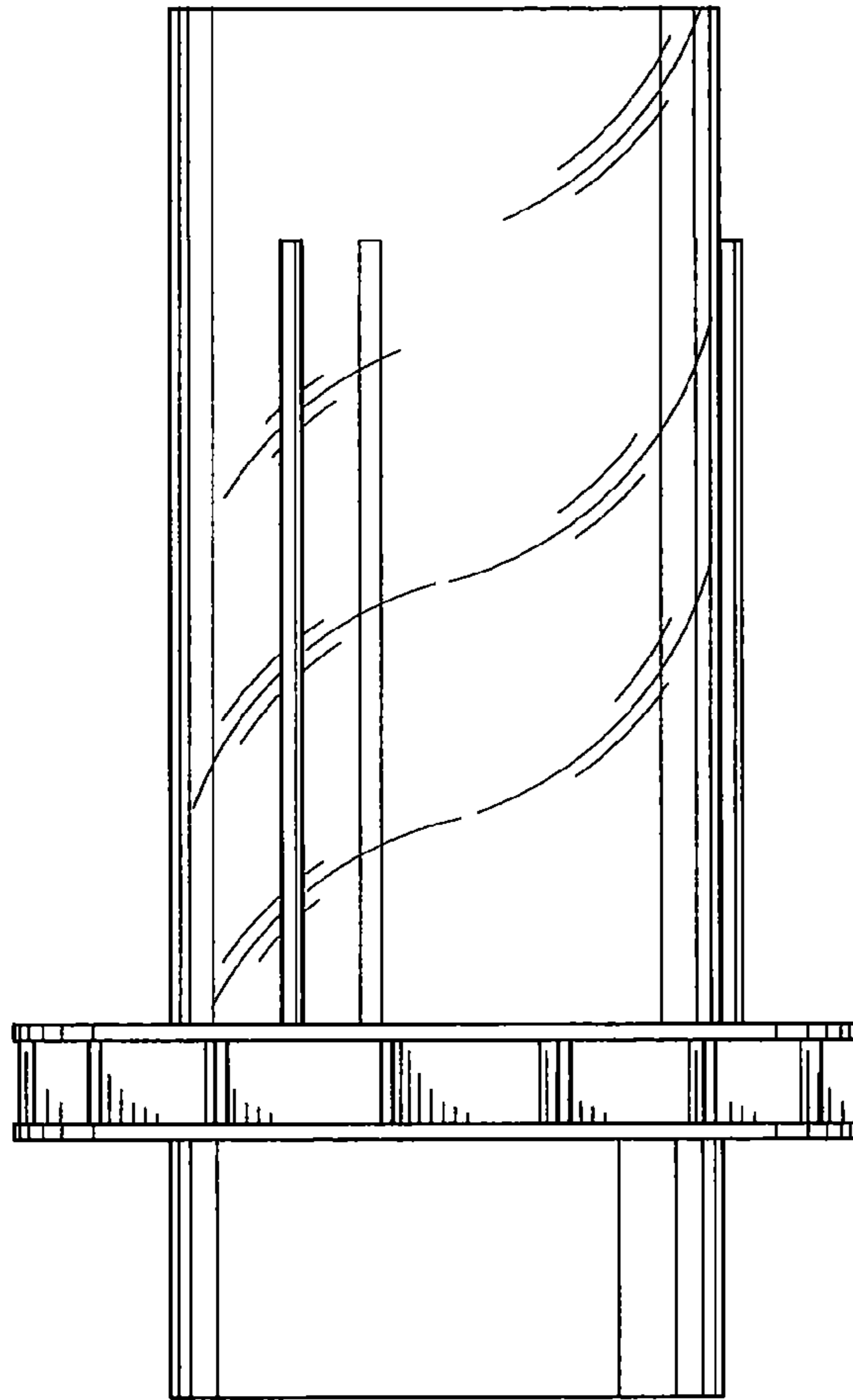
**Fig. 5**



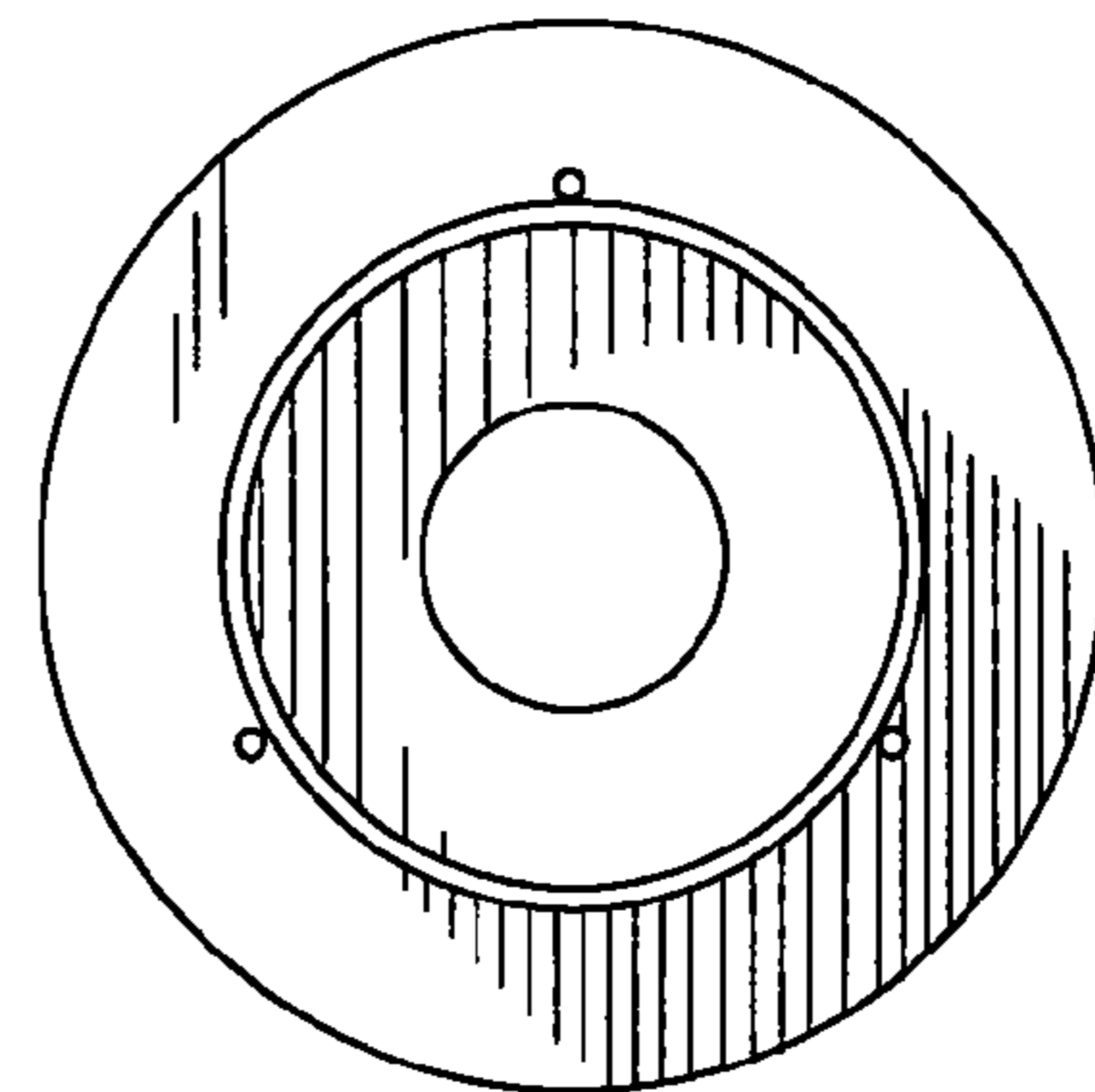
**Fig. 6**



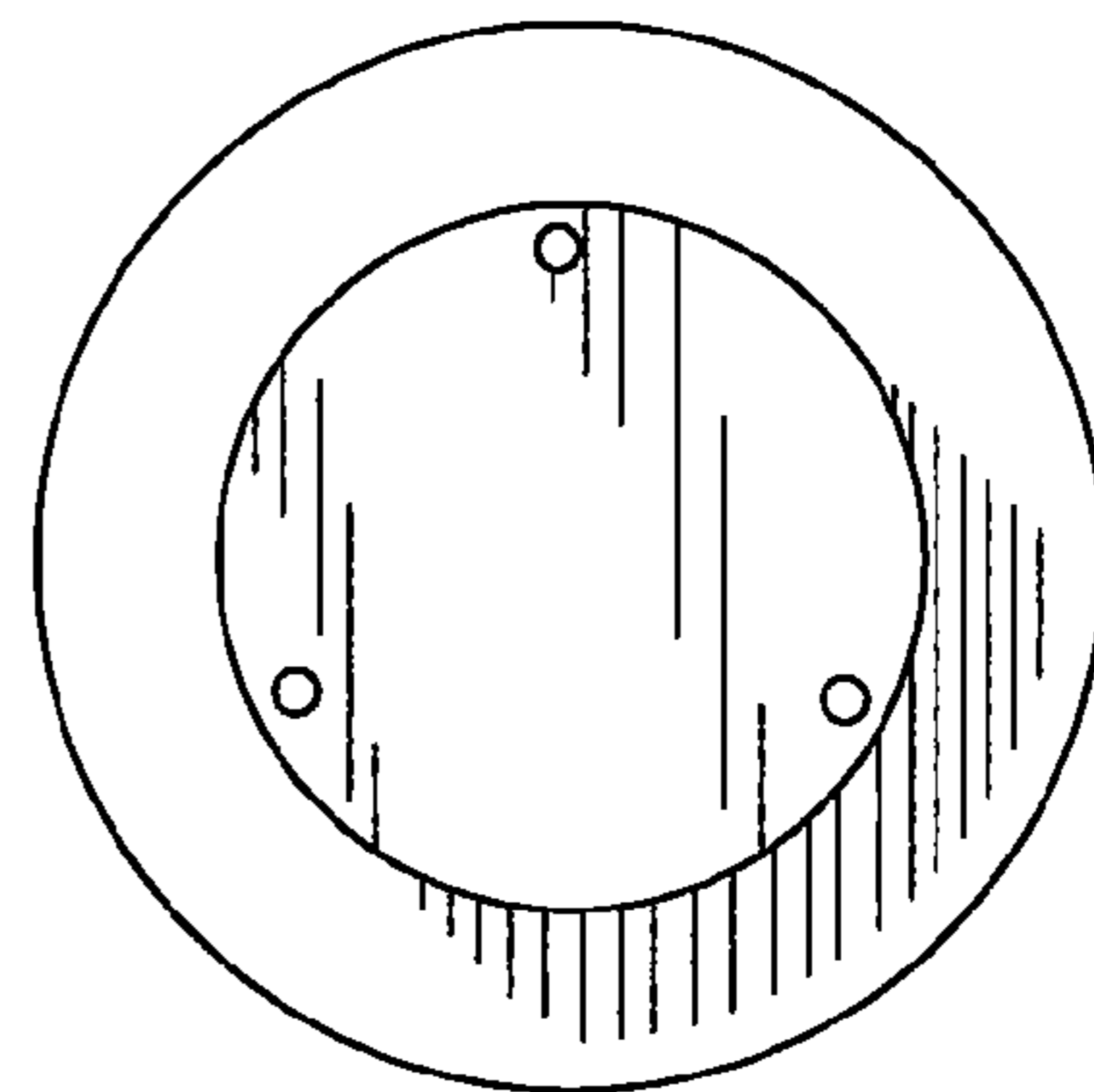
**Fig. 7**



**Fig. 8**



**Fig. 9**



**Fig. 10**