



US00D621872S

(12) **United States Design Patent**
Jordan

(10) **Patent No.:** **US D621,872 S**

(45) **Date of Patent:** **** Aug. 17, 2010**

(54) **POSTCARD OPTICAL DISC MAILER**

(76) **Inventor:** **Uvalda Jordan**, c/o Law Offices of
Carol Green, P.A., 200 S. Biscayne
Blvd., Suite 2750, Miami, FL (US)
33131

(**) **Term:** **14 Years**

(21) **Appl. No.:** **29/316,441**

(22) **Filed:** **Sep. 28, 2009**

(51) **LOC (9) Cl.** **19-01**

(52) **U.S. Cl.** **D19/3**

(58) **Field of Classification Search** D19/1-8,
D19/75, 86, 100; 229/67.4, 928, 307, 92,
229/92.1, 92.8, 67.3, 68.1, 76, 309, 67.1;
206/449, 424, 308.1, 308.3, 309, 313; 462/64-65;
D20/27, 22, 40; 40/672, 124.01-124.15;
D3/303, 227, 20; 383/61.1, 84; 283/72,
283/74, 75, 103, 105-106, 116-117; D9/433
See application file for complete search history.

(56) **References Cited**

U.S. PATENT DOCUMENTS

D316,181 S * 4/1991 Clifton D6/634
D363,083 S * 10/1995 Thompson et al. D19/3
D428,297 S * 7/2000 Drew et al. D6/626
D490,636 S * 6/2004 Bergh et al. D6/626

D491,407 S * 6/2004 Martinetti D6/626
D510,383 S * 10/2005 Potter et al. D19/3
D536,375 S * 2/2007 Potter et al. D19/3
D545,360 S * 6/2007 Schluger D19/3
D580,973 S * 11/2008 Turner et al. D19/1
D582,978 S * 12/2008 Fu D19/26
D591,341 S * 4/2009 Fagan D19/3

* cited by examiner

Primary Examiner—Ian Simmons

Assistant Examiner—Abraham Bahta

(74) *Attorney, Agent, or Firm*—Albert Bordas, P.A.

(57) **CLAIM**

The ornamental design for postcard optical disc mailer, as shown and described.

DESCRIPTION

FIG. 1 is a top perspective view of the postcard optical disc mailer showing my new design;

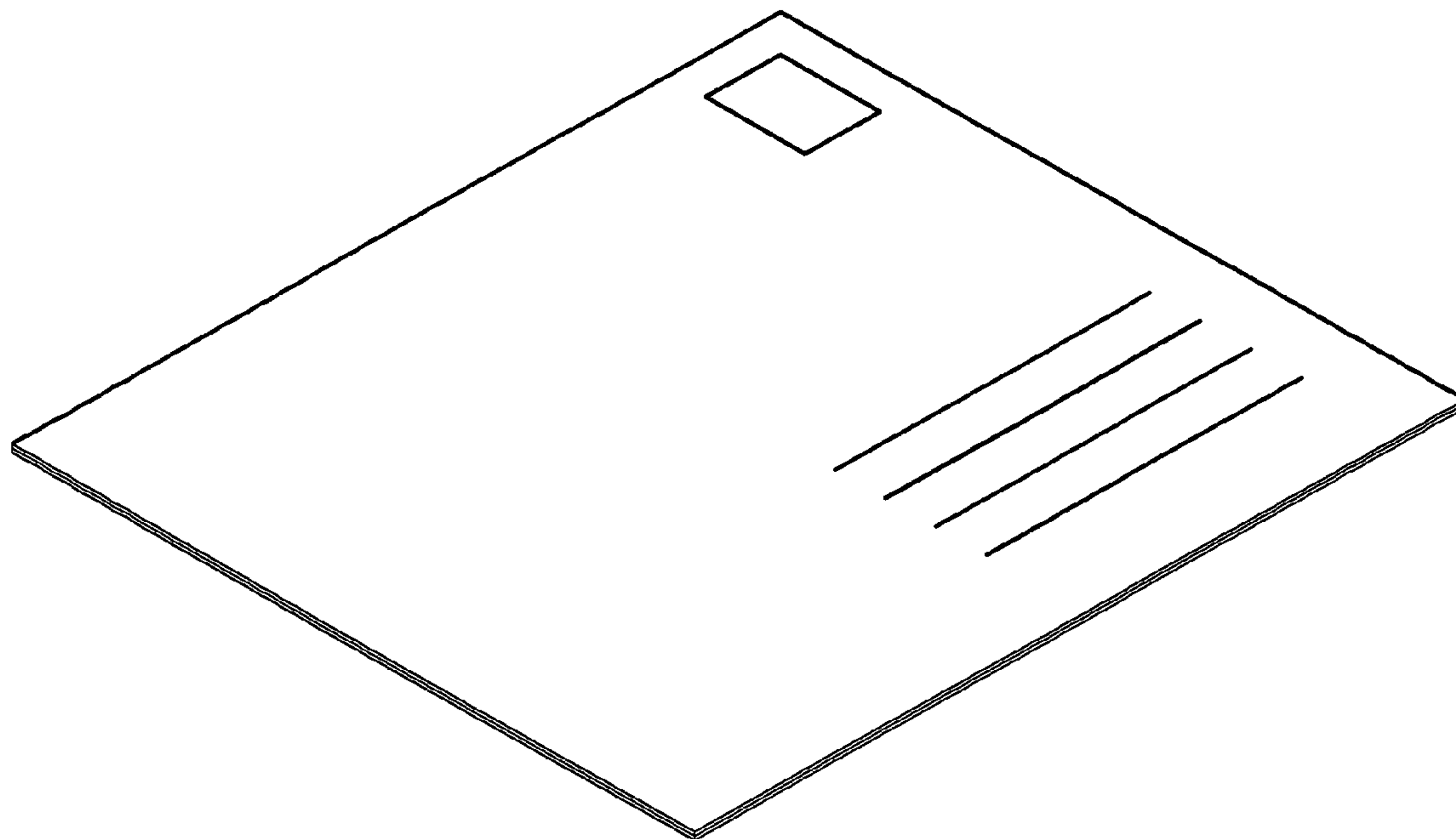
FIG. 2 is a bottom perspective view thereof;

FIG. 3 is a top plan view thereof; and,

FIG. 4 is a bottom plan view thereof.

The broken line showing of a portion of the postcard optical disc mailer is included for the purpose of illustrating environmental structure and forms no part of the claimed design.

1 Claim, 2 Drawing Sheets



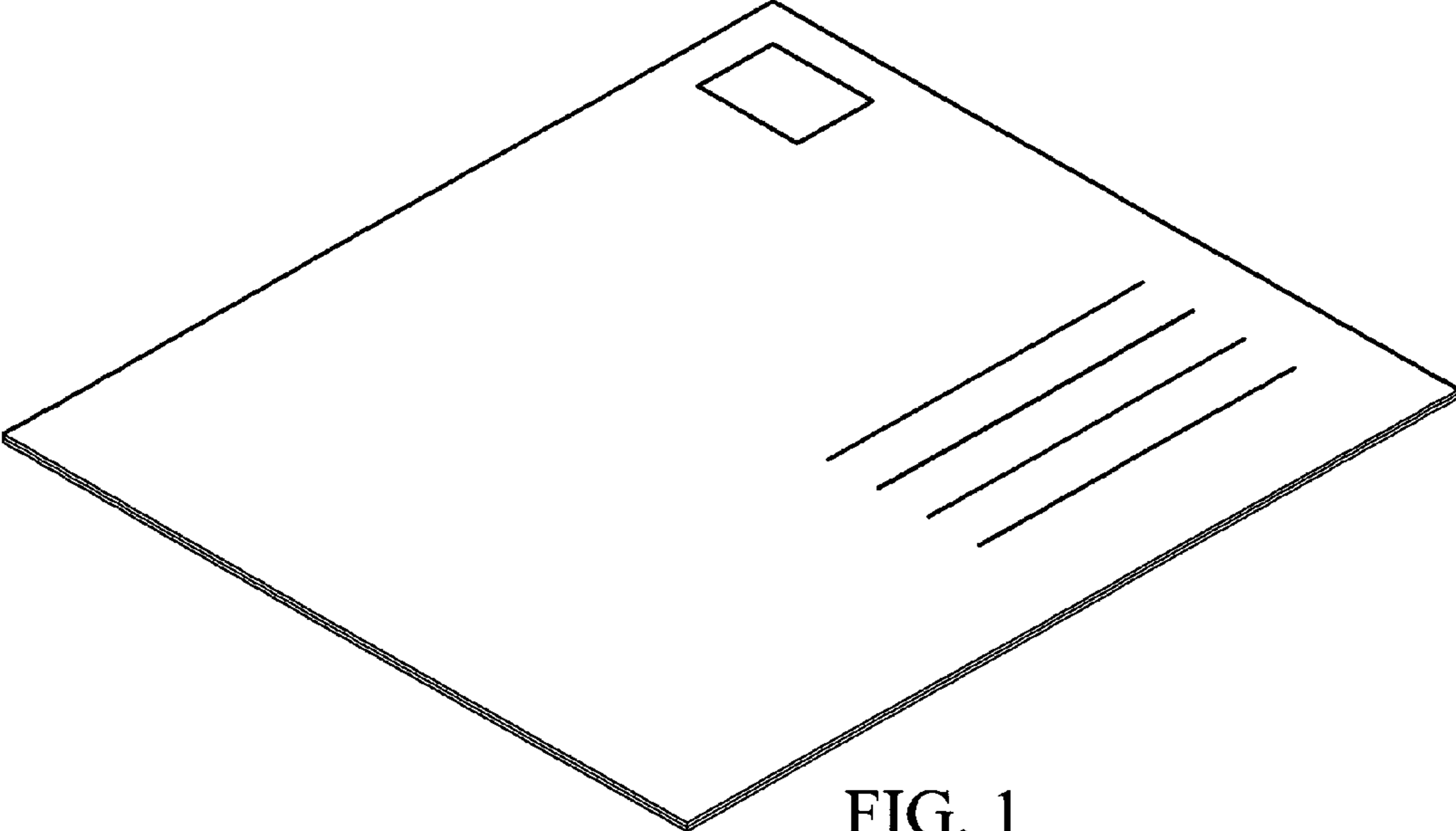


FIG. 1

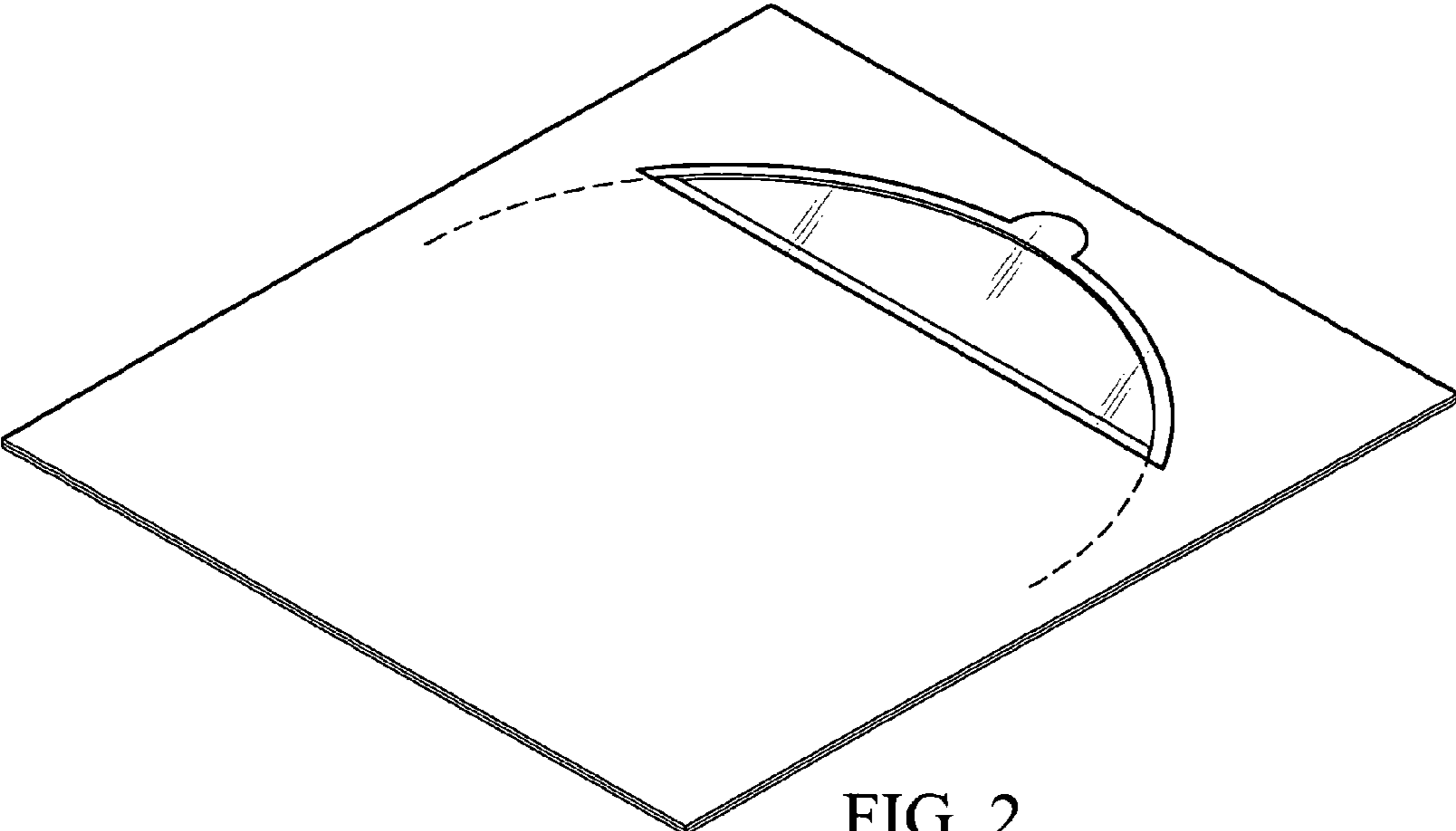


FIG. 2

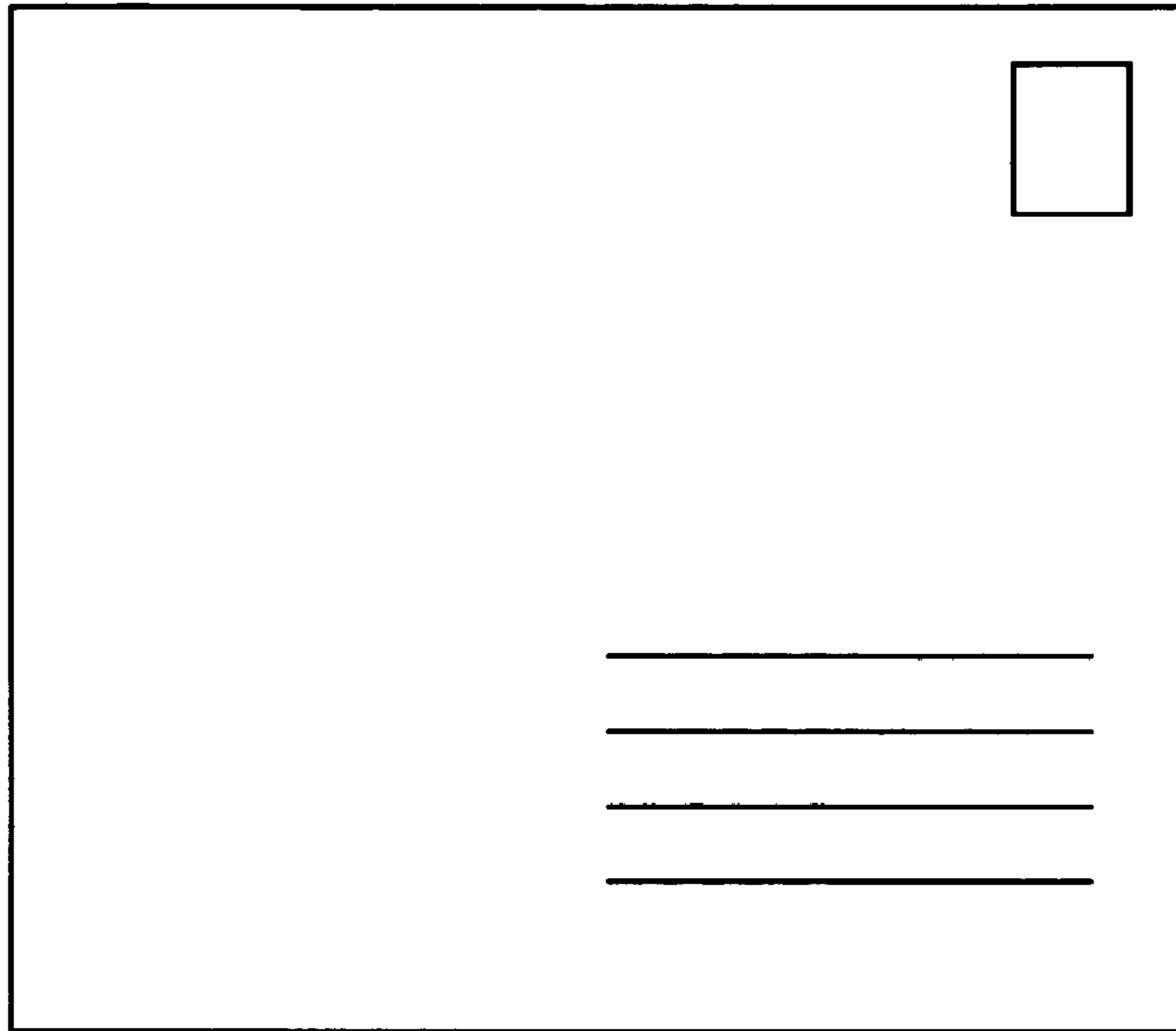


FIG. 3

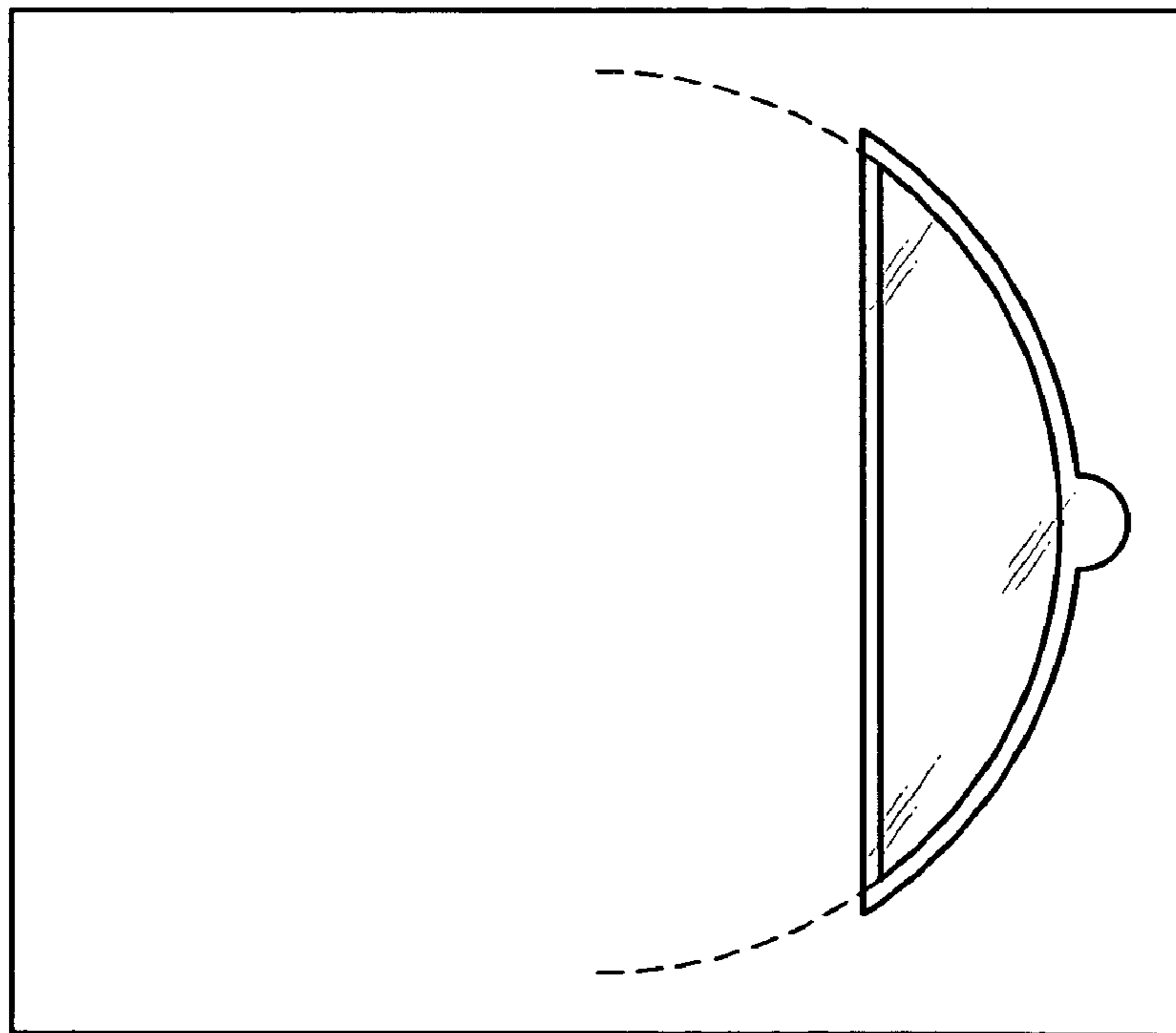


FIG. 4