



US00D621871S

(12) **United States Design Patent**  
**Maeshima et al.**

(10) **Patent No.:** **US D621,871 S**  
(45) **Date of Patent:** **\*\* Aug. 17, 2010**

(54) **TONER CARTRIDGE**

(75) Inventors: **Masanobu Maeshima**, Osaka (JP); **Koji Murata**, Osaka (JP); **Takaya Akiyama**, Osaka (JP)

(73) Assignee: **Kyocera Mita Corporation**, Osaka (JP)

(\*\*) Term: **14 Years**

(21) Appl. No.: **29/338,834**

(22) Filed: **Jun. 19, 2009**

(30) **Foreign Application Priority Data**

Dec. 22, 2008 (JP) ..... 2008-032533

(51) **LOC (9) Cl.** ..... **16-03**

(52) **U.S. Cl.** ..... **D18/43**

(58) **Field of Classification Search** ..... D14/471;  
D18/12, 36, 40, 43, 44, 56; 222/DIG. 1;  
347/197, 222; 399/24-28, 107-112, 119,  
399/121, 122, 222-224

See application file for complete search history.

(56) **References Cited**

**U.S. PATENT DOCUMENTS**

D298,256 S *	10/1988	Shibata	.....	D18/43
D356,108 S *	3/1995	Kondoh	.....	D18/43
D365,846 S *	1/1996	Nishimura	.....	D18/43
D366,275 S *	1/1996	Komaki	.....	D18/43
D395,668 S *	6/1998	Yasuda	.....	D18/43
D399,871 S *	10/1998	Joroku et al.	.....	D18/43
D500,073 S *	12/2004	Rousseau	.....	D18/40
D534,576 S *	1/2007	Hashimoto et al.	.....	D18/43
D581,973 S *	12/2008	Yamagata et al.	.....	D18/43

**FOREIGN PATENT DOCUMENTS**

JP 1138750-D 4/2002

**OTHER PUBLICATIONS**

Taiwan Office Action of the corresponding Taiwan Application No. 98302818 dated Jan. 6, 2010.

\* cited by examiner

*Primary Examiner*—Garth Rademaker

(74) *Attorney, Agent, or Firm*—Global IP Counselors

(57) **CLAIM**

The ornamental design for a toner cartridge, as shown and described.

**DESCRIPTION**

FIG. 1 is a bottom side perspective view of a toner cartridge in accordance with our new design;

FIG. 2 is a top-rear side perspective view of the toner cartridge in accordance with our new design;

FIG. 3 is a front elevational view of the toner cartridge in accordance with our new design;

FIG. 4 is a rear side elevational view of the toner cartridge in accordance with our new design;

FIG. 5 is a top plan view of the toner cartridge in accordance with our new design;

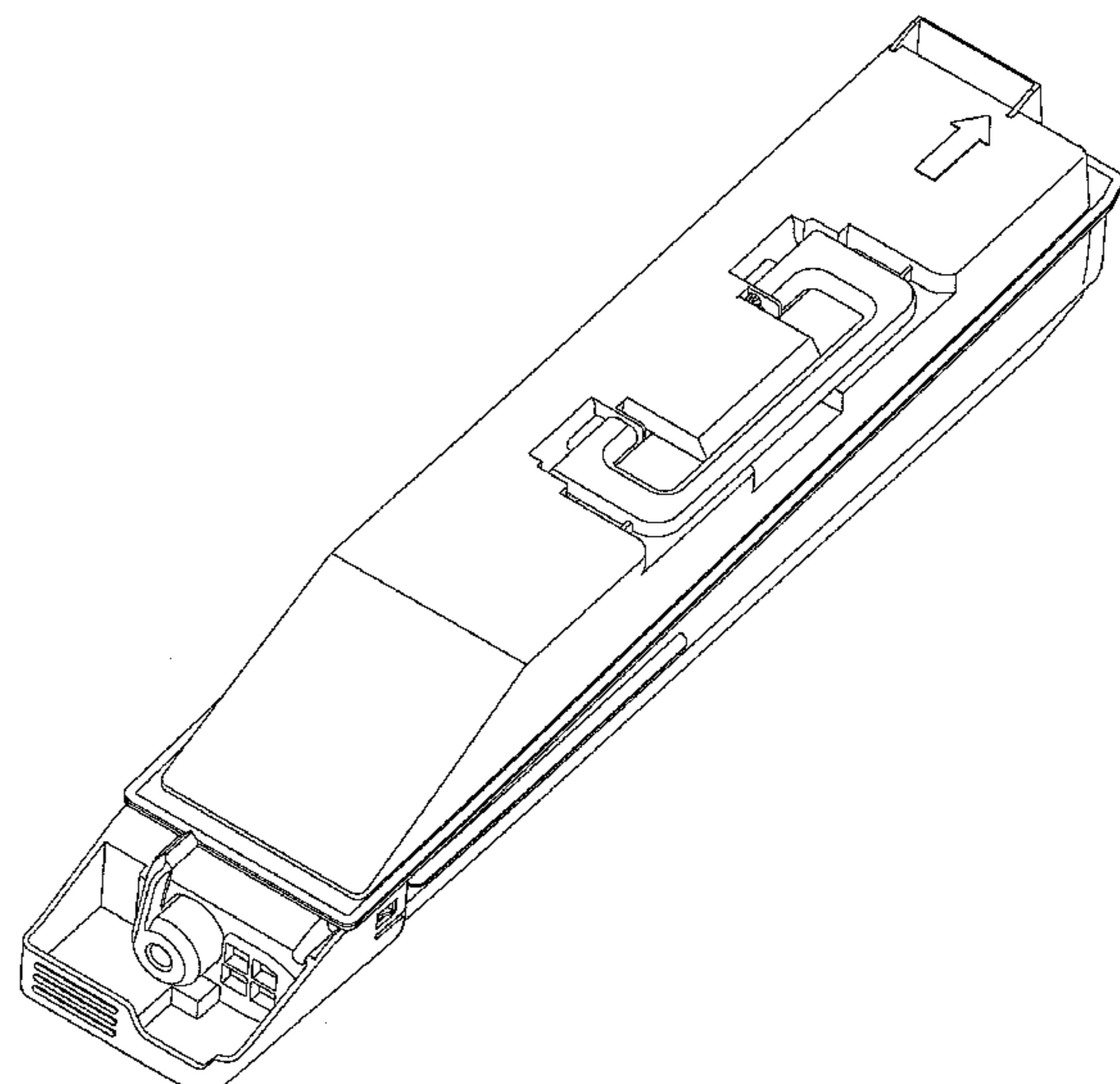
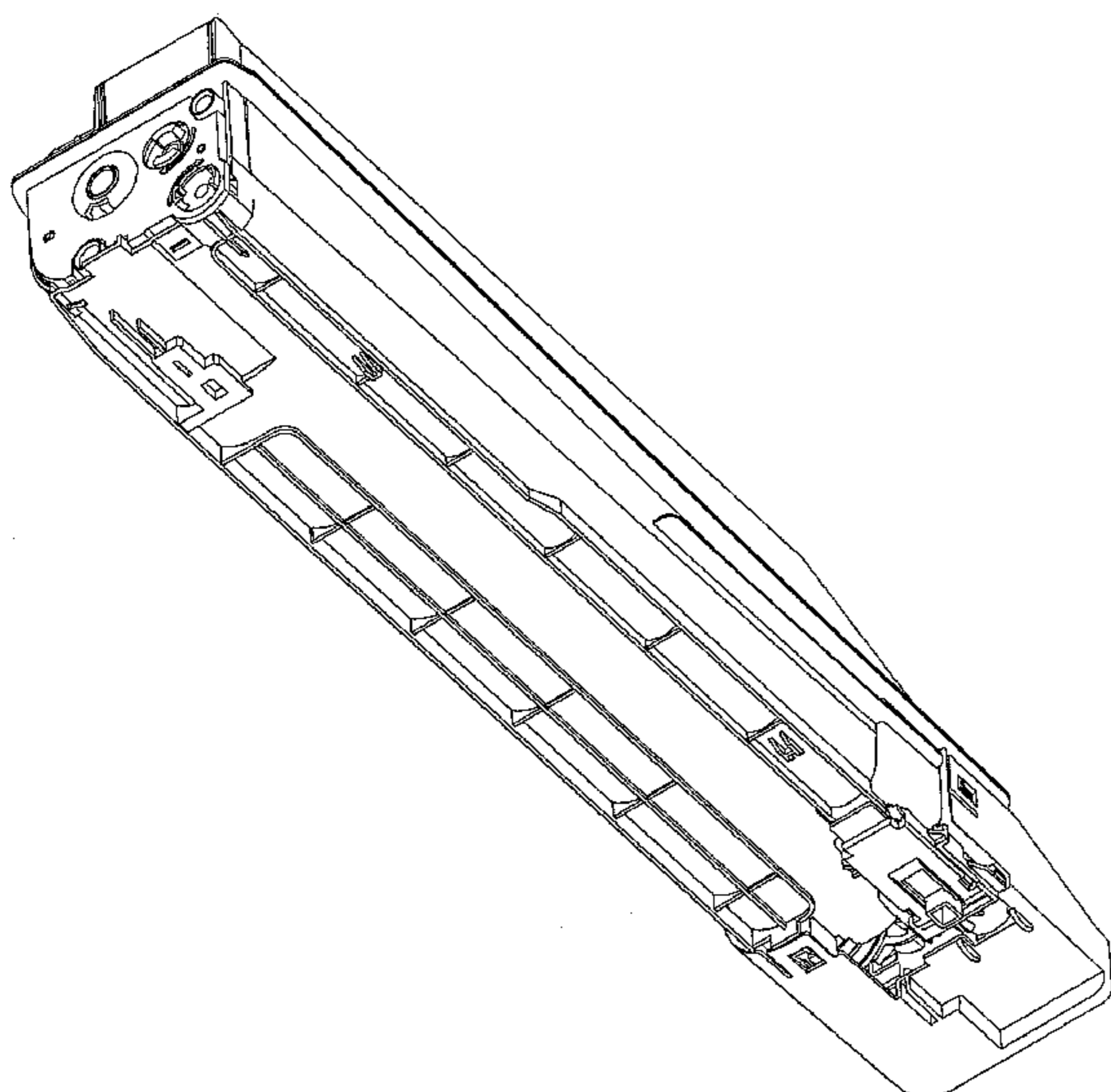
FIG. 6 is a bottom plan view of the toner cartridge in accordance with our new design; and

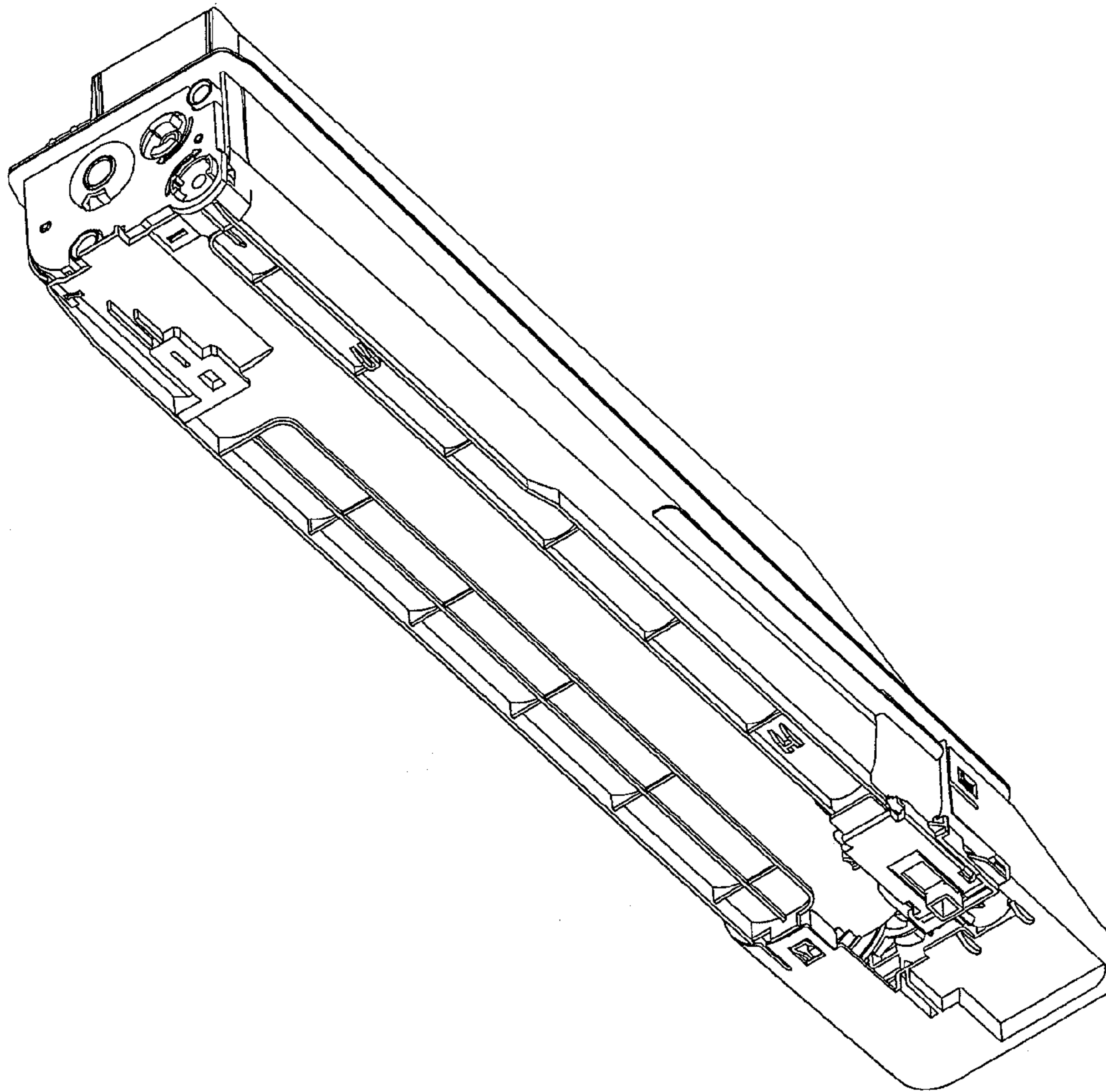
FIG. 7 is a left side end elevational view of the toner cartridge in accordance with our new design; and,

FIG. 8 is a right side end elevational view of the toner cartridge in accordance with our new design.

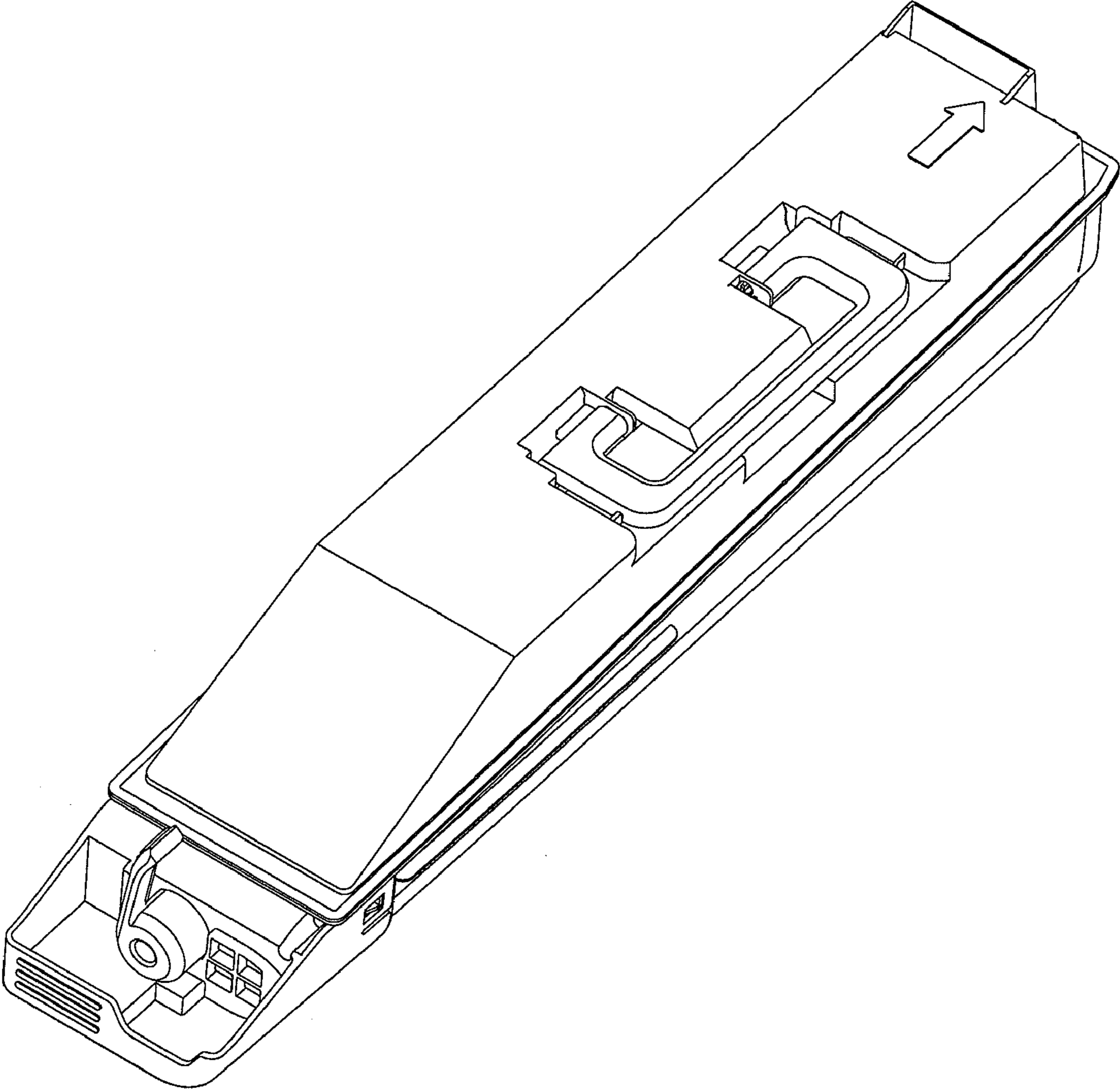
The broken lines in FIGS. 6 and 7 depict environmental subject matter only and form no part of the claimed design.

**1 Claim, 6 Drawing Sheets**





*Fig. 1*



*Fig. 2*

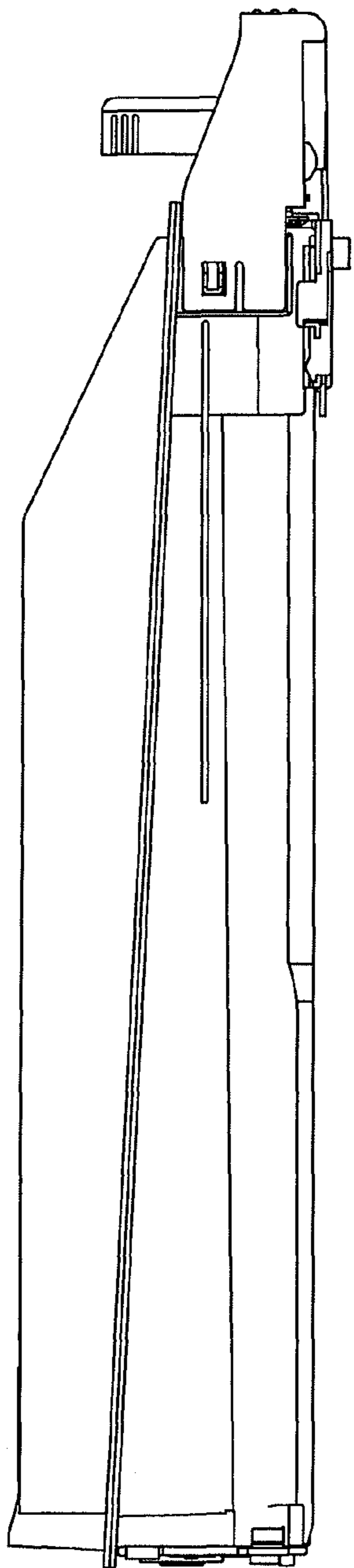


Fig. 3

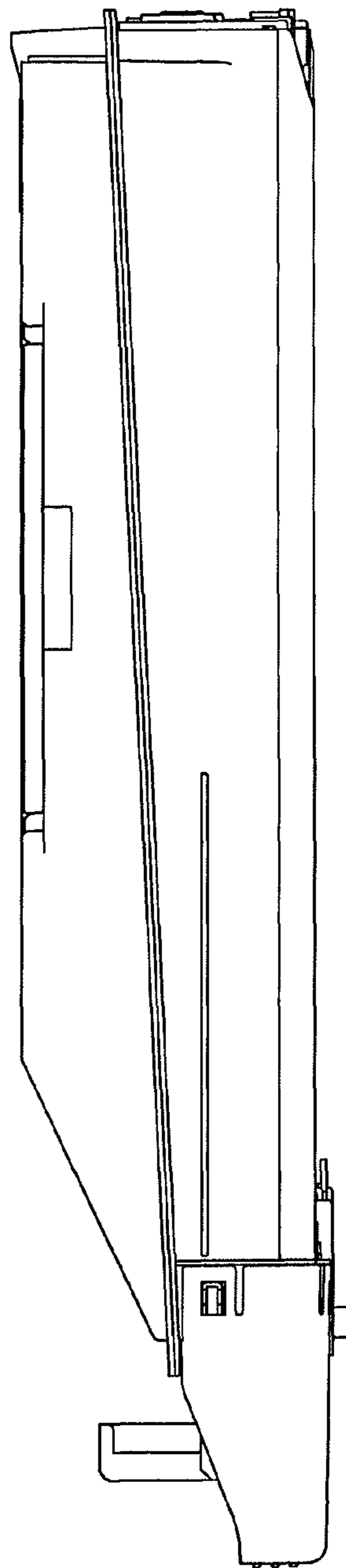


Fig. 4

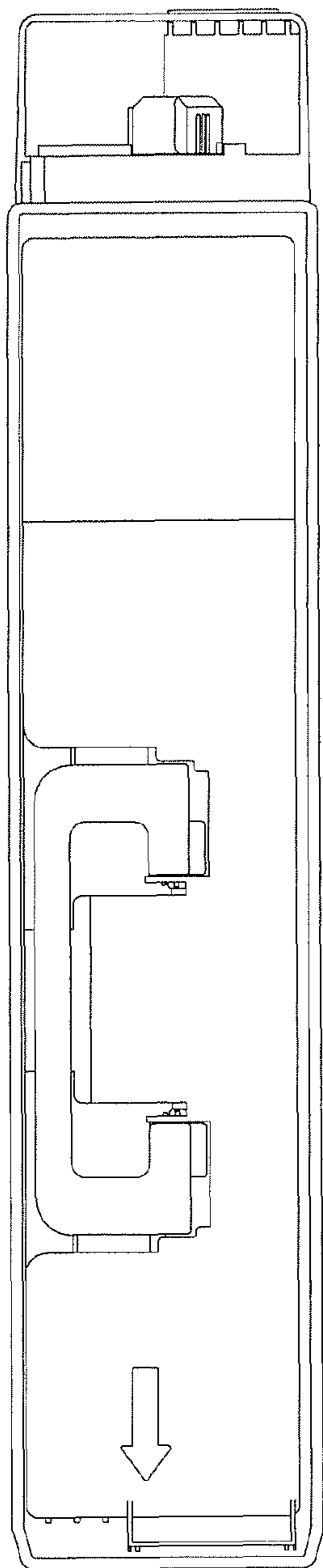


Fig. 5

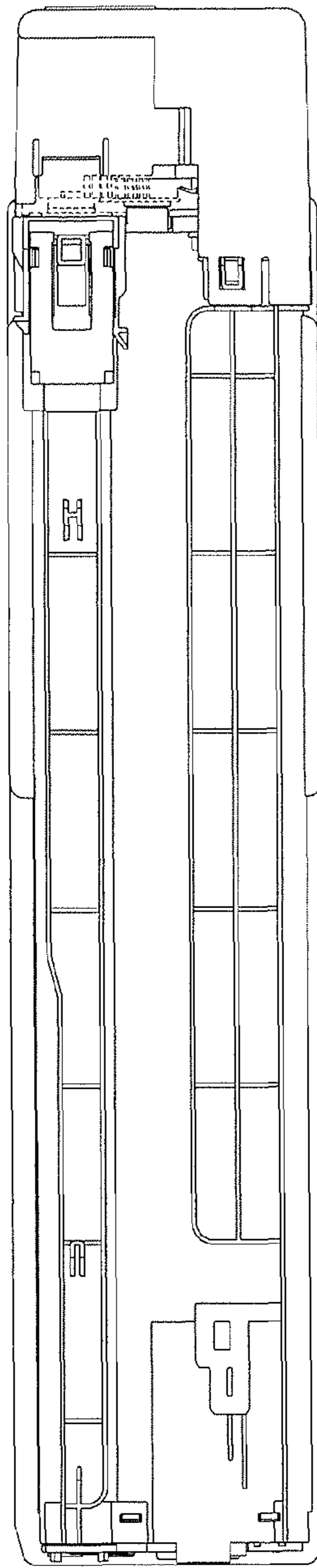


Fig. 6

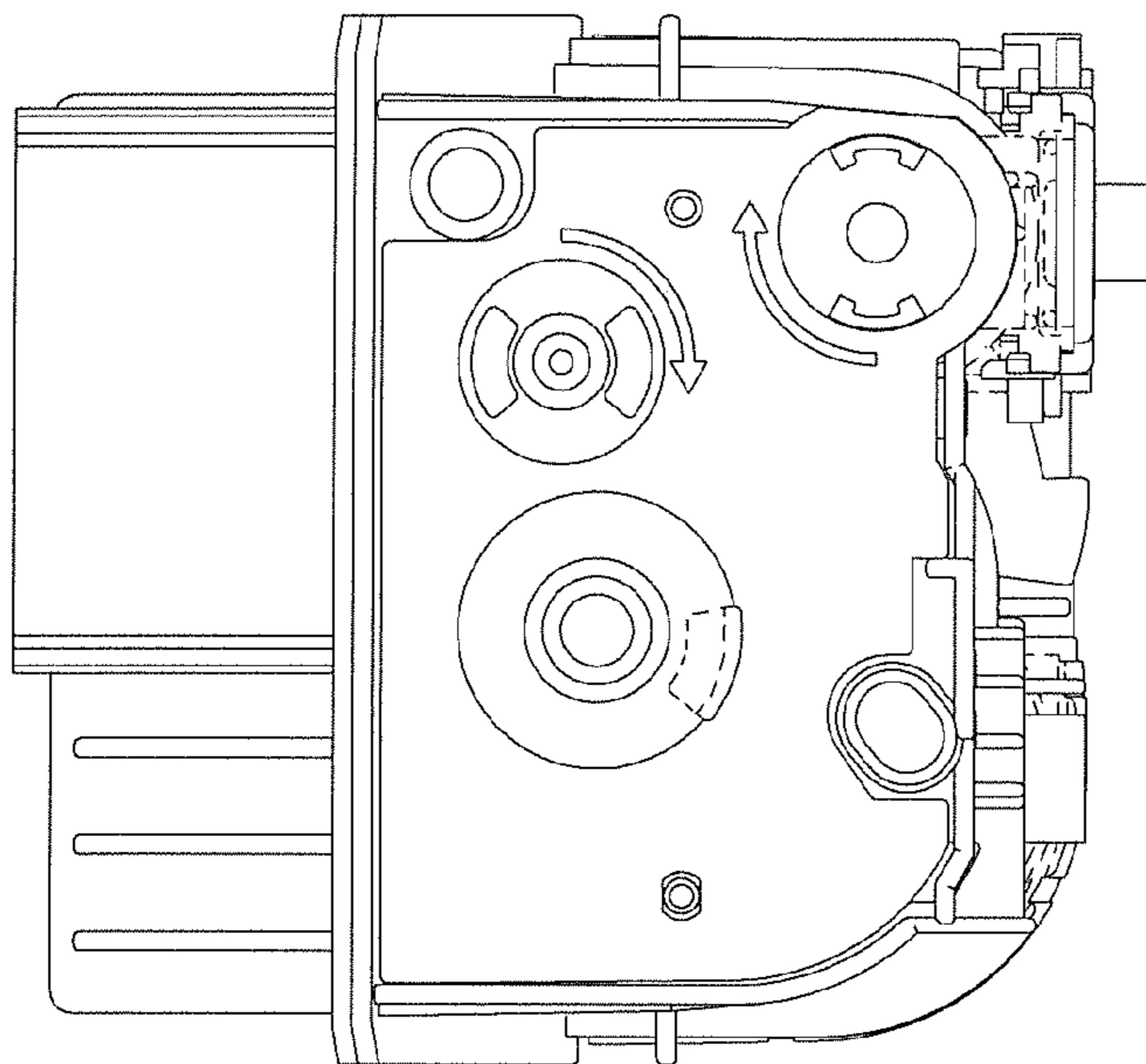


Fig. 7

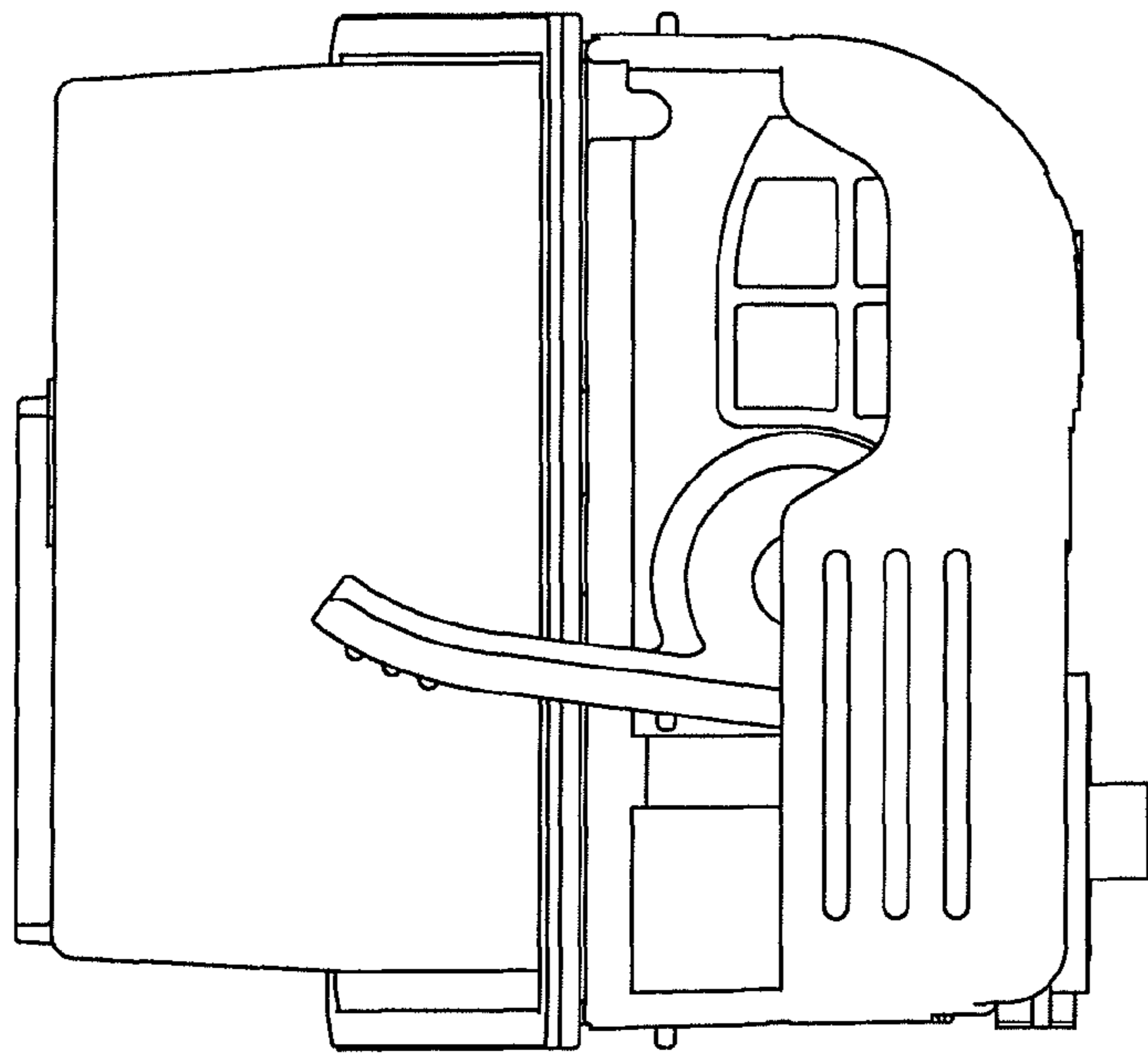


Fig. 8