



US00D621870S

(12) **United States Design Patent**
Eto

(10) **Patent No.:** **US D621,870 S**

(45) **Date of Patent:** **** Aug. 17, 2010**

(54) **TONER CARTRIDGE**

(75) Inventor: **Daisuke Eto**, Osaka (JP)

(73) Assignee: **Kyocera Mita Corporation**, Osaka (JP)

(**) Term: **14 Years**

(21) Appl. No.: **29/333,799**

(22) Filed: **Mar. 16, 2009**

(30) **Foreign Application Priority Data**

Sep. 18, 2008 (JP) 2008-023943

(51) **LOC (9) Cl.** **16-03**

(52) **U.S. Cl.** **D18/43**

(58) **Field of Classification Search** D14/471;
D18/12, 36, 40, 43, 44, 56; 222/DIG. 1;
347/197, 222; 399/24-28, 107-112, 119,
399/121, 122, 222-224

See application file for complete search history.

(56) **References Cited**

U.S. PATENT DOCUMENTS

D442,214 S *	5/2001	Hayashi	D18/43
D442,624 S *	5/2001	Maeshima	D18/43
D450,080 S *	11/2001	Ashikari	D18/40
D502,730 S *	3/2005	Miyagawa	D18/40
D524,848 S *	7/2006	Murata	D18/43
D524,849 S *	7/2006	Komai	D18/43
D525,289 S *	7/2006	Murata	D18/43
D562,881 S *	2/2008	Hatanaka	D18/43
D562,882 S *	2/2008	Hatanaka	D18/43
D569,417 S *	5/2008	Asakawa	D18/43

FOREIGN PATENT DOCUMENTS

TW 398874-D 7/2000

OTHER PUBLICATIONS

Taiwan Office Action of the corresponding Taiwan Application No. 98301049 dated Dec. 9, 2009.

* cited by examiner

Primary Examiner—Garth Rademaker

(74) *Attorney, Agent, or Firm*—Global IP Counselors

(57) **CLAIM**

The ornamental design for a toner cartridge, as shown and described.

DESCRIPTION

FIG. 1 is a top perspective view of a toner cartridge in accordance with my new design;

FIG. 2 is a bottom perspective view of the toner cartridge illustrated in FIG. 1;

FIG. 3 is a front elevational view of the toner cartridge illustrated in FIG. 1;

FIG. 4 is a rear elevational view of the toner cartridge illustrated in FIG. 1;

FIG. 5 is a top plan view of the toner cartridge illustrated in FIG. 1;

FIG. 6 is a bottom plan view of the toner cartridge in accordance with my new design;

FIG. 7 is an enlarged right side elevational view of the toner cartridge illustrated in FIG. 1;

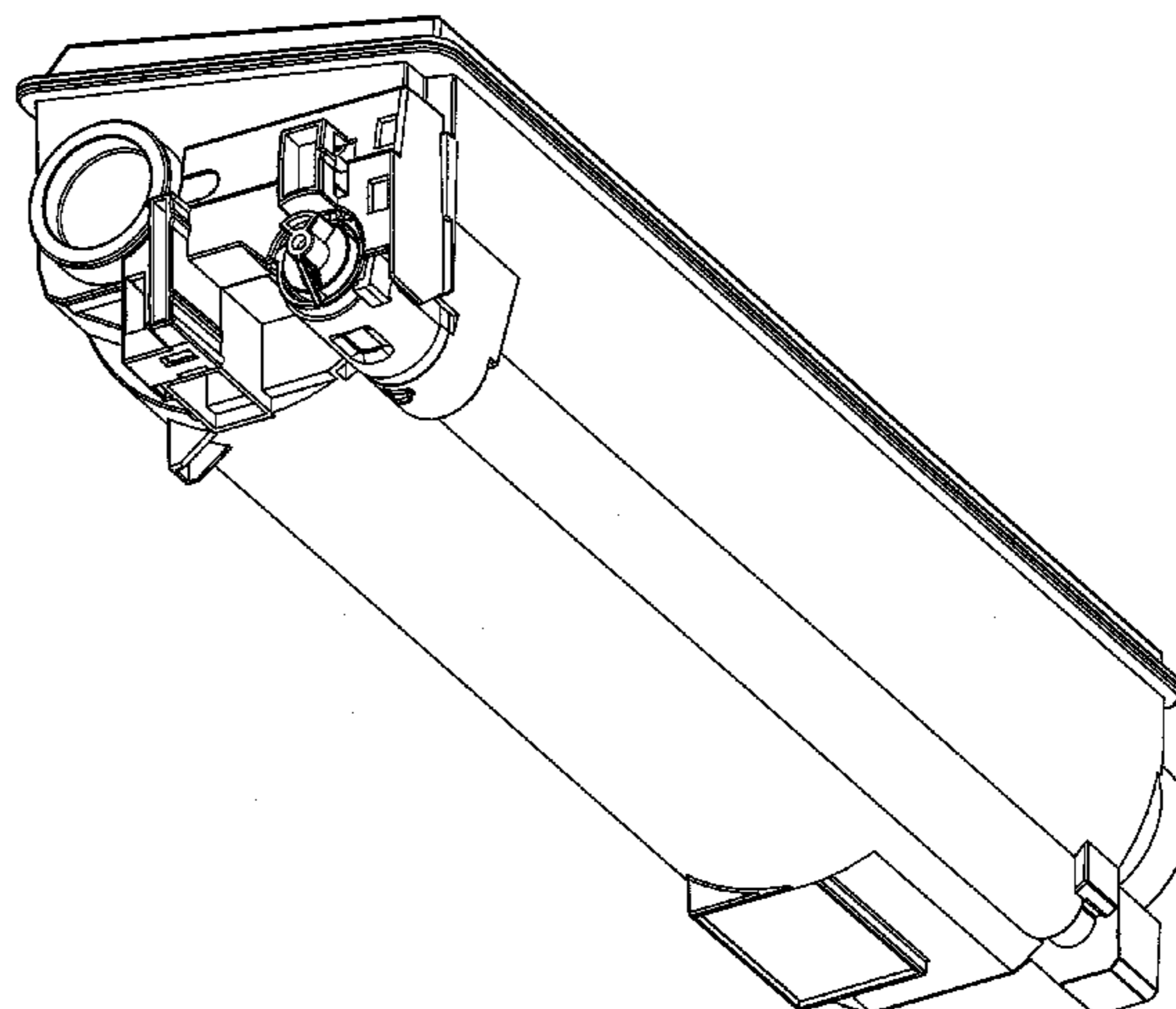
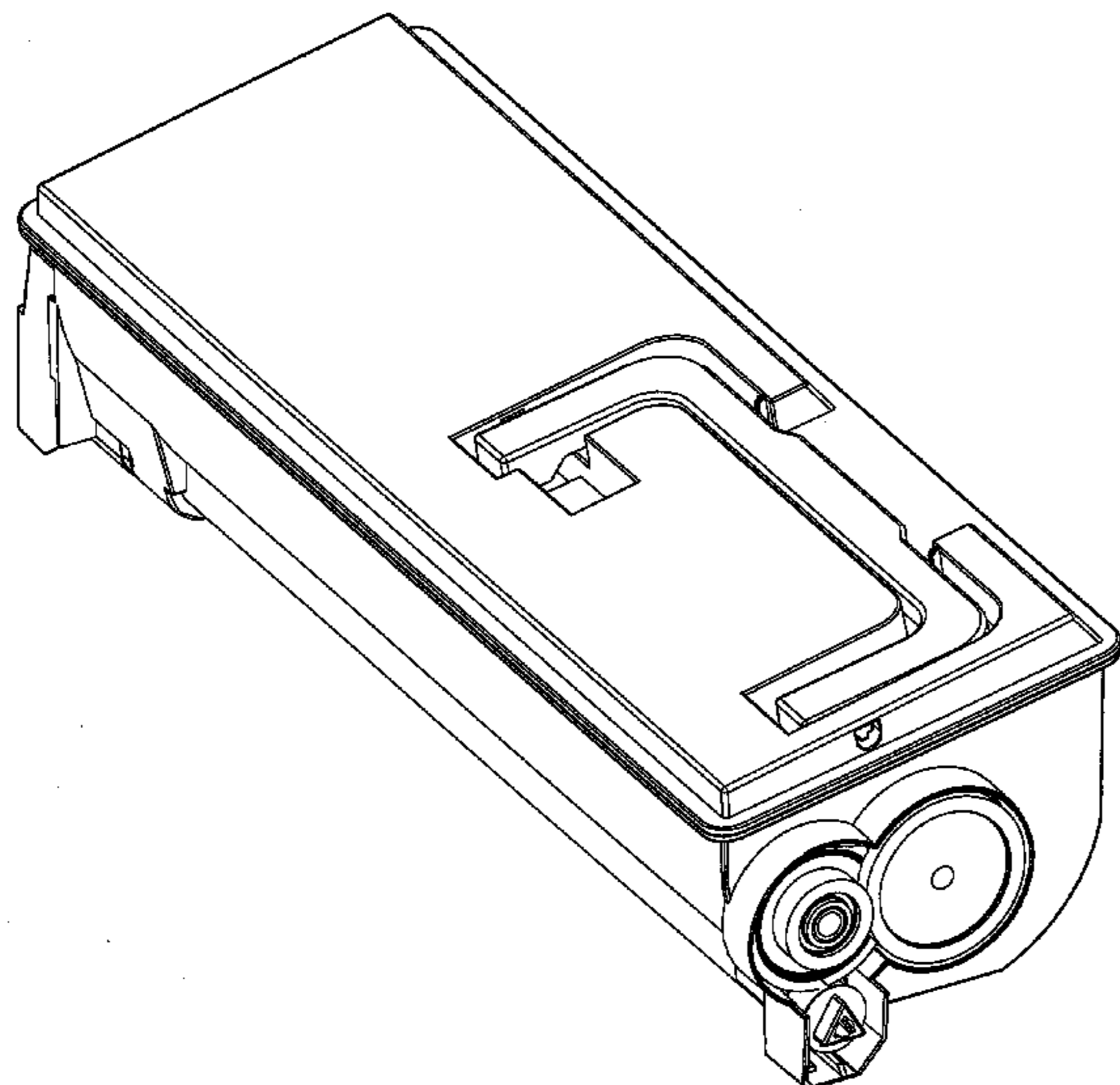
FIG. 8 is an enlarged left side elevational view of the toner cartridge illustrated in FIG. 1;

FIG. 9 is a top perspective view of the toner cartridge, similar to FIG. 1, but with the handle in an extended position; and,

FIG. 10 is a cross sectional view of the toner cartridge illustrated in FIG. 1 as seen along section line 10—10 of FIG. 3.

The broken lines in FIGS. 3, 6, 7, 8, and 10 depict environmental subject matter only and form no part of the claimed design.

1 Claim, 10 Drawing Sheets



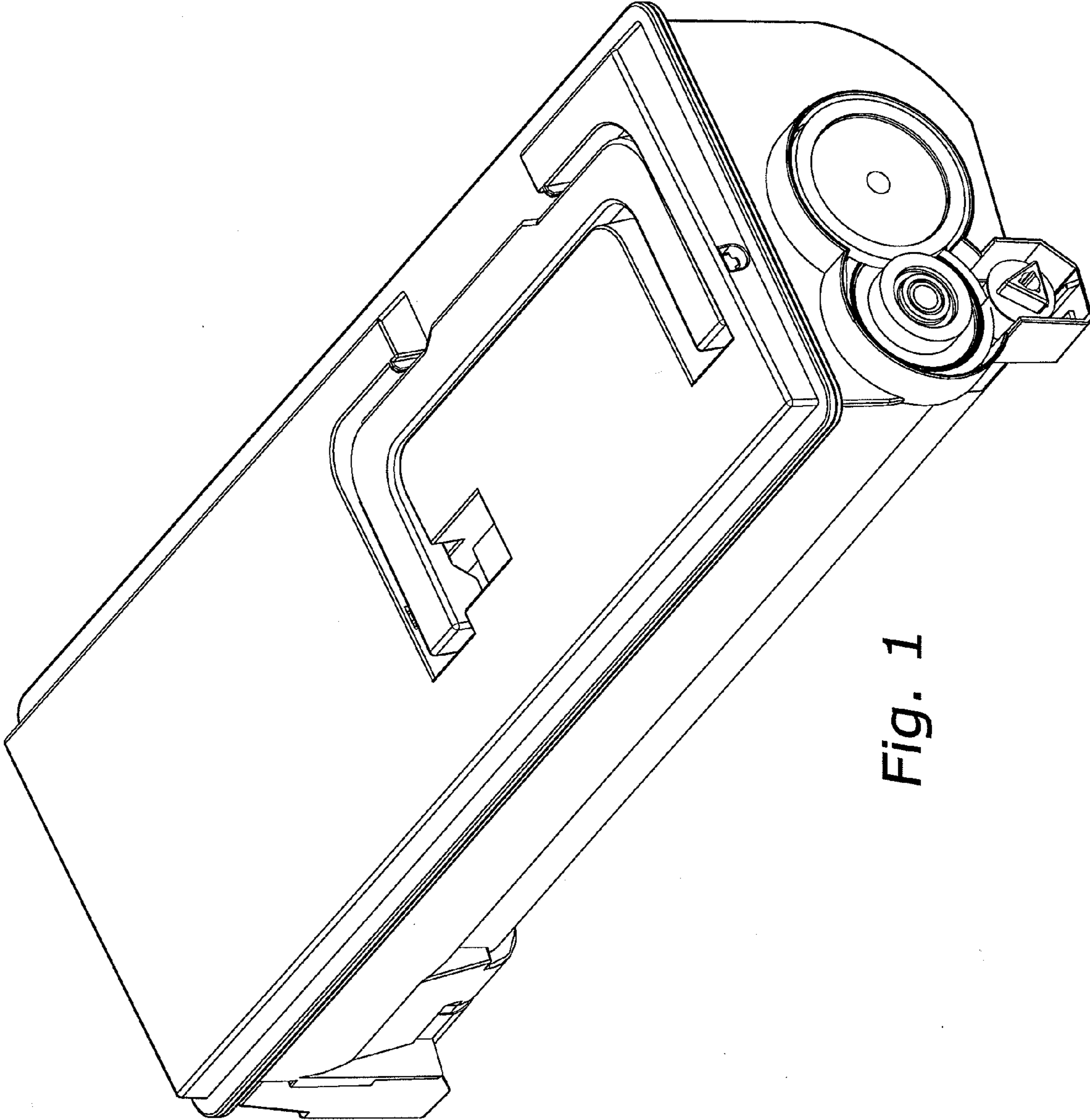


Fig. 1

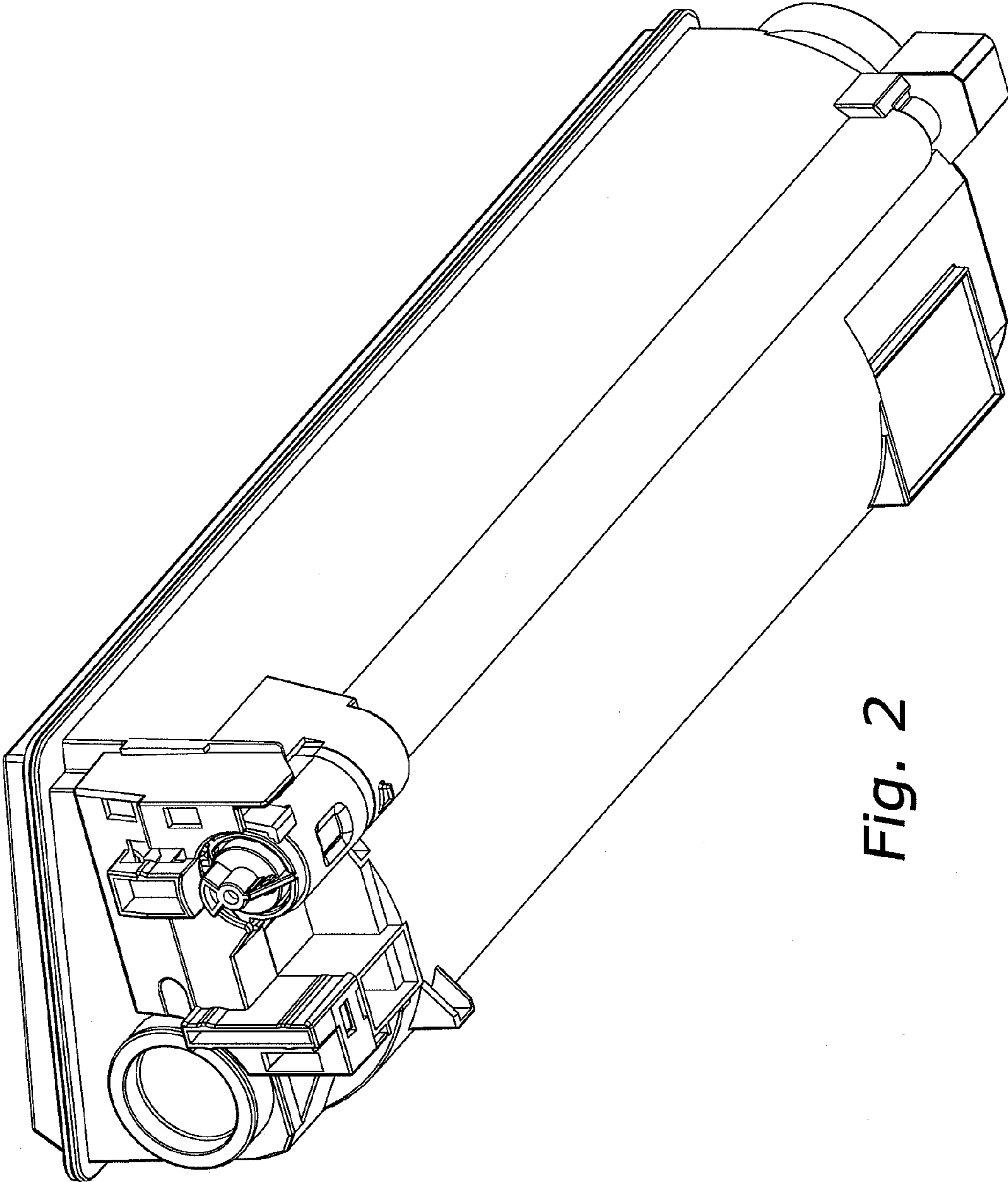


Fig. 2

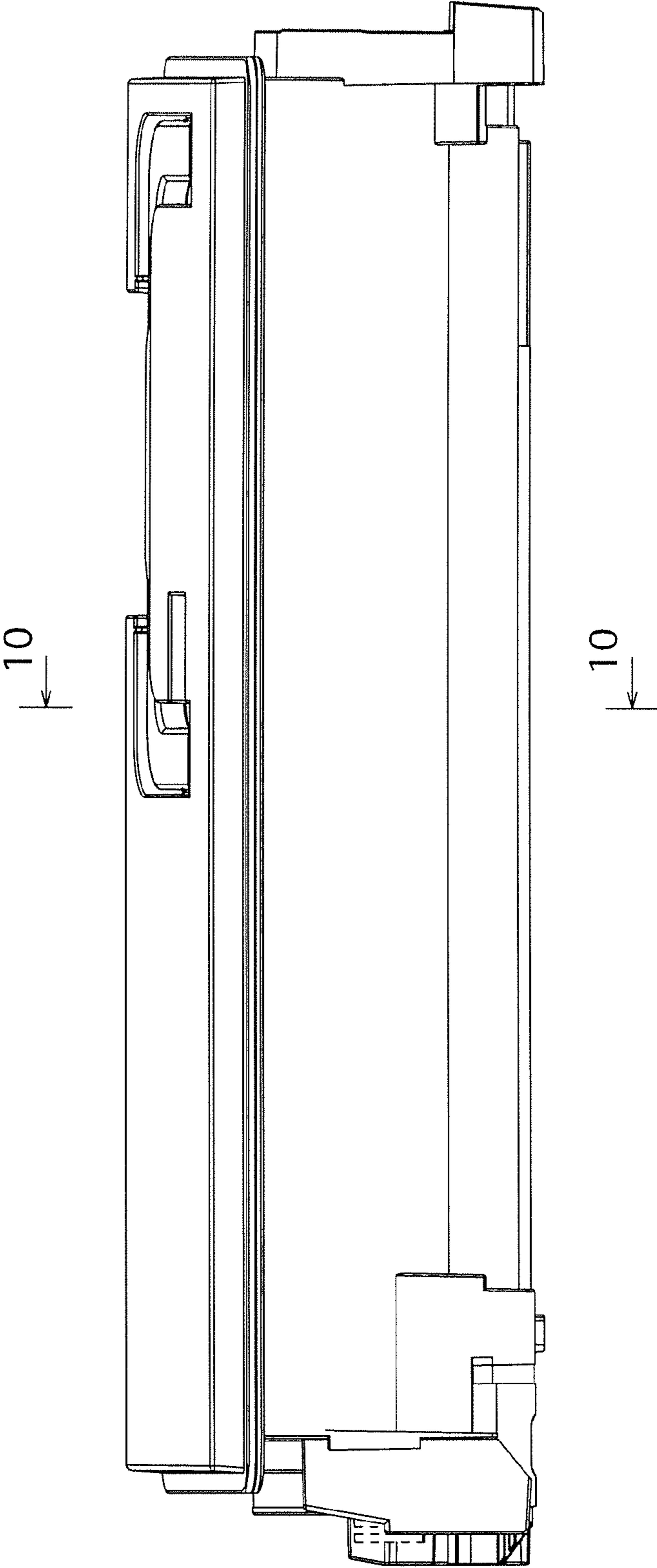


Fig. 3

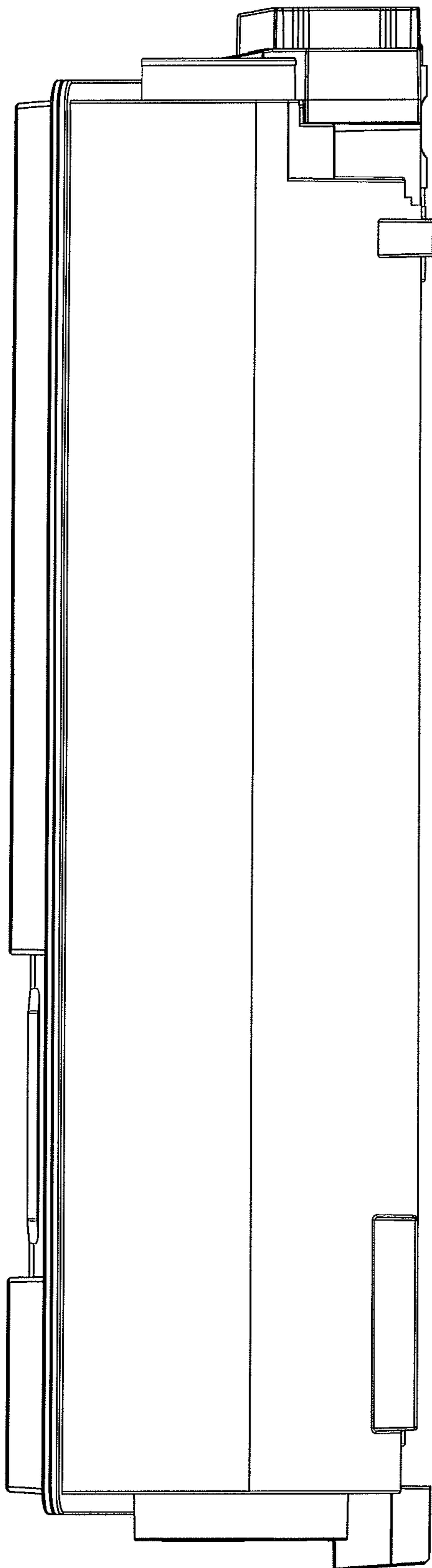


Fig. 4

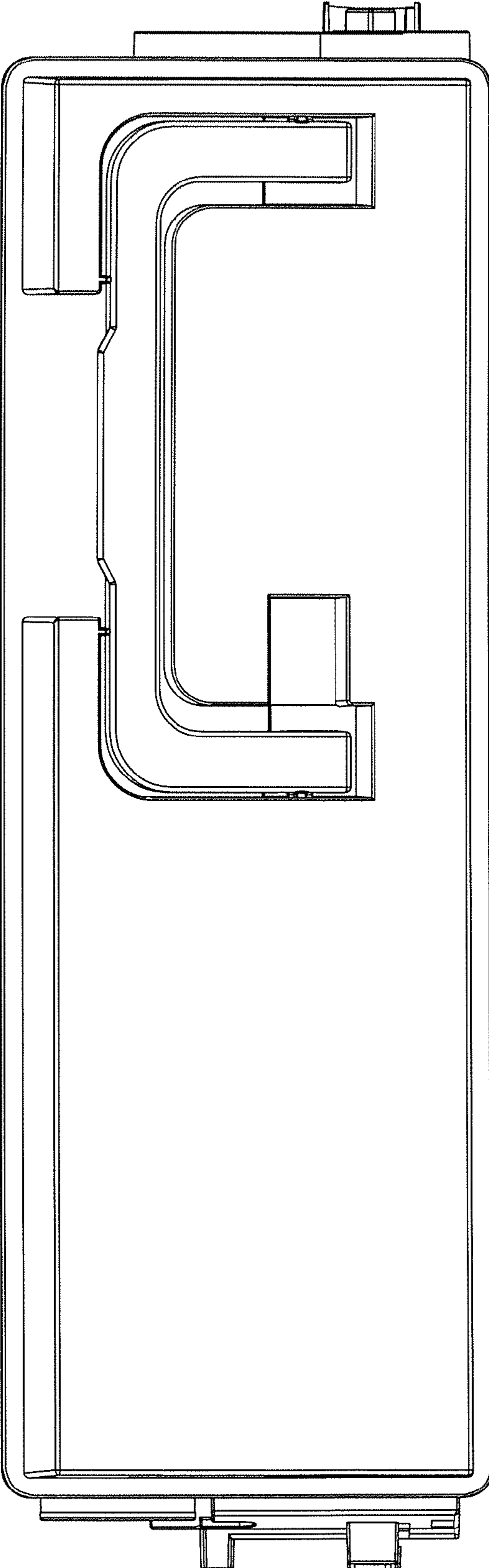


Fig. 5

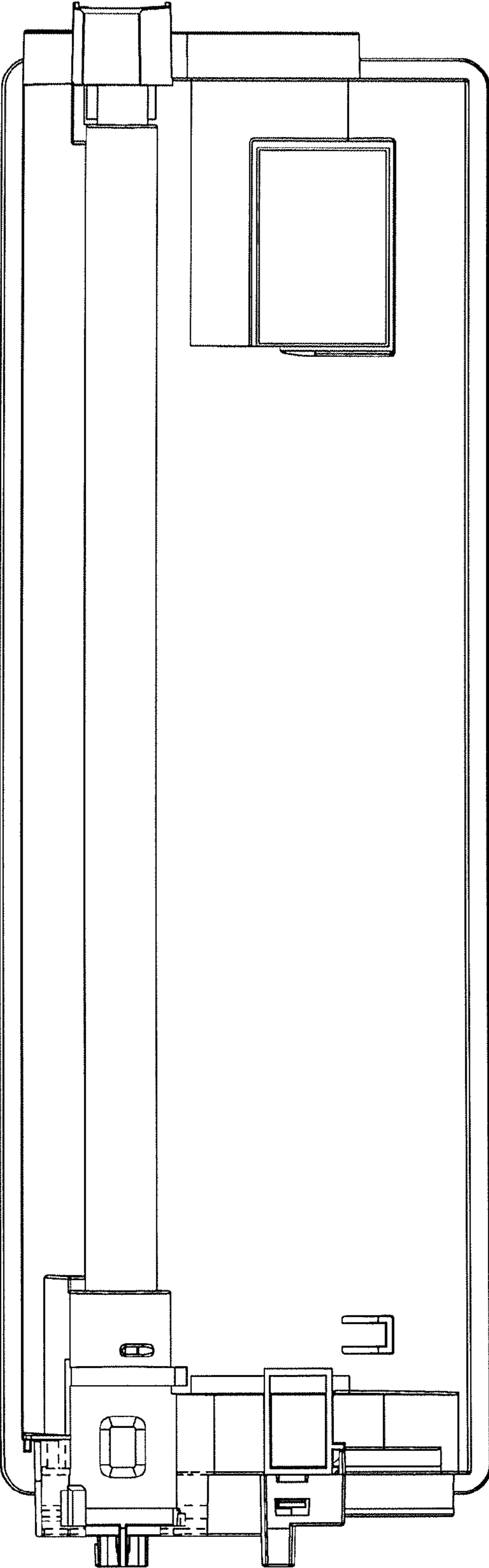


Fig. 6

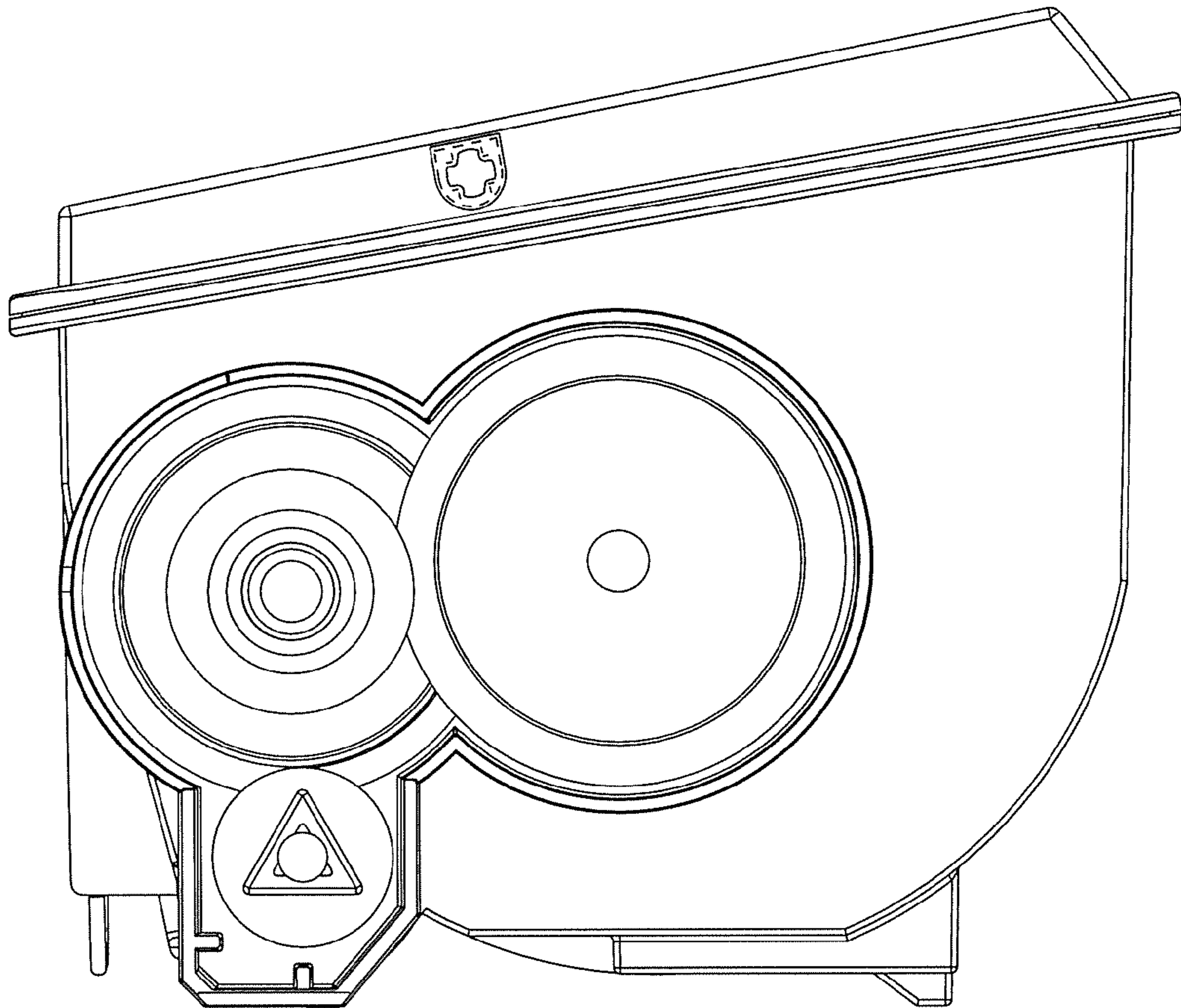


Fig. 7

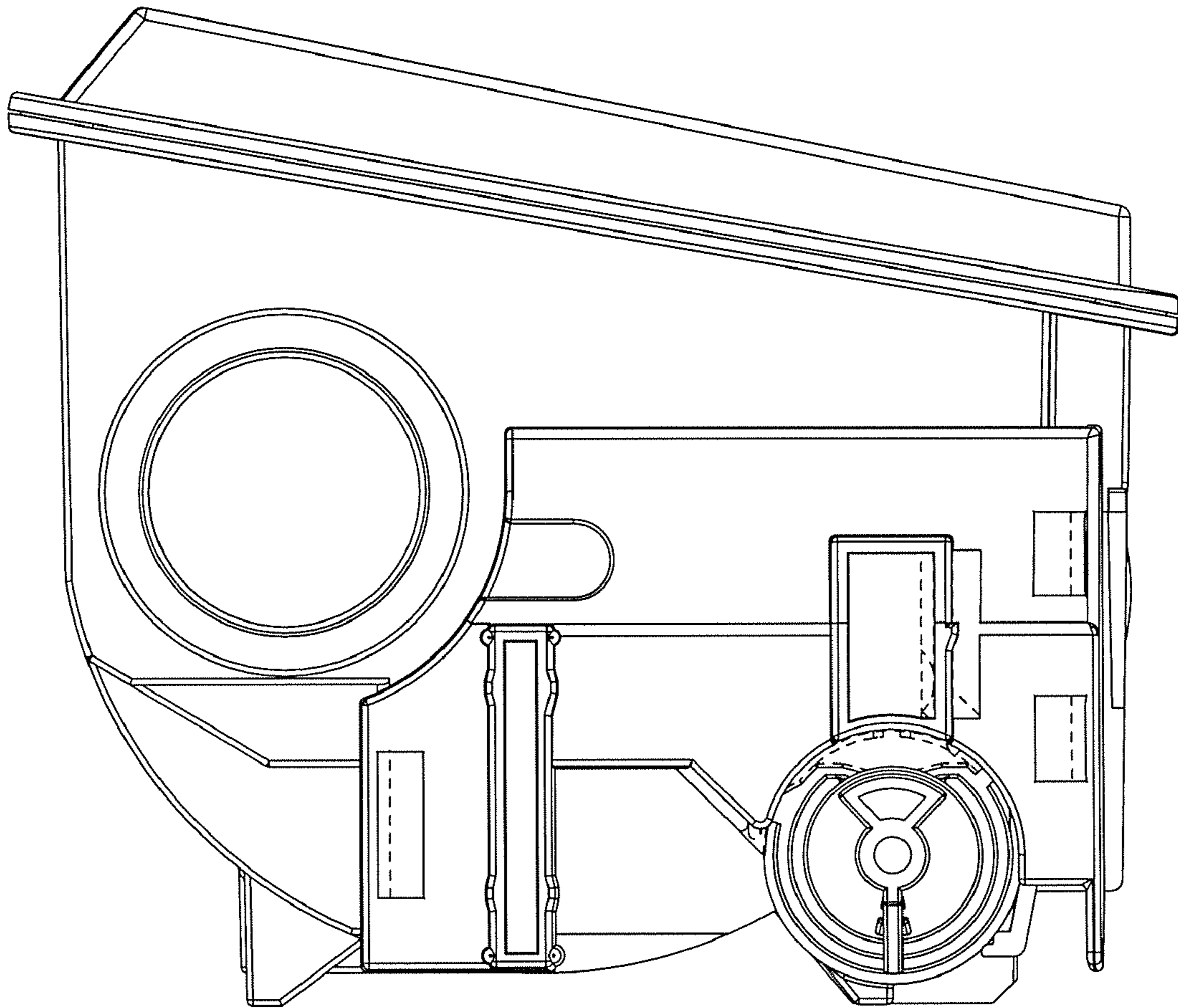


Fig. 8

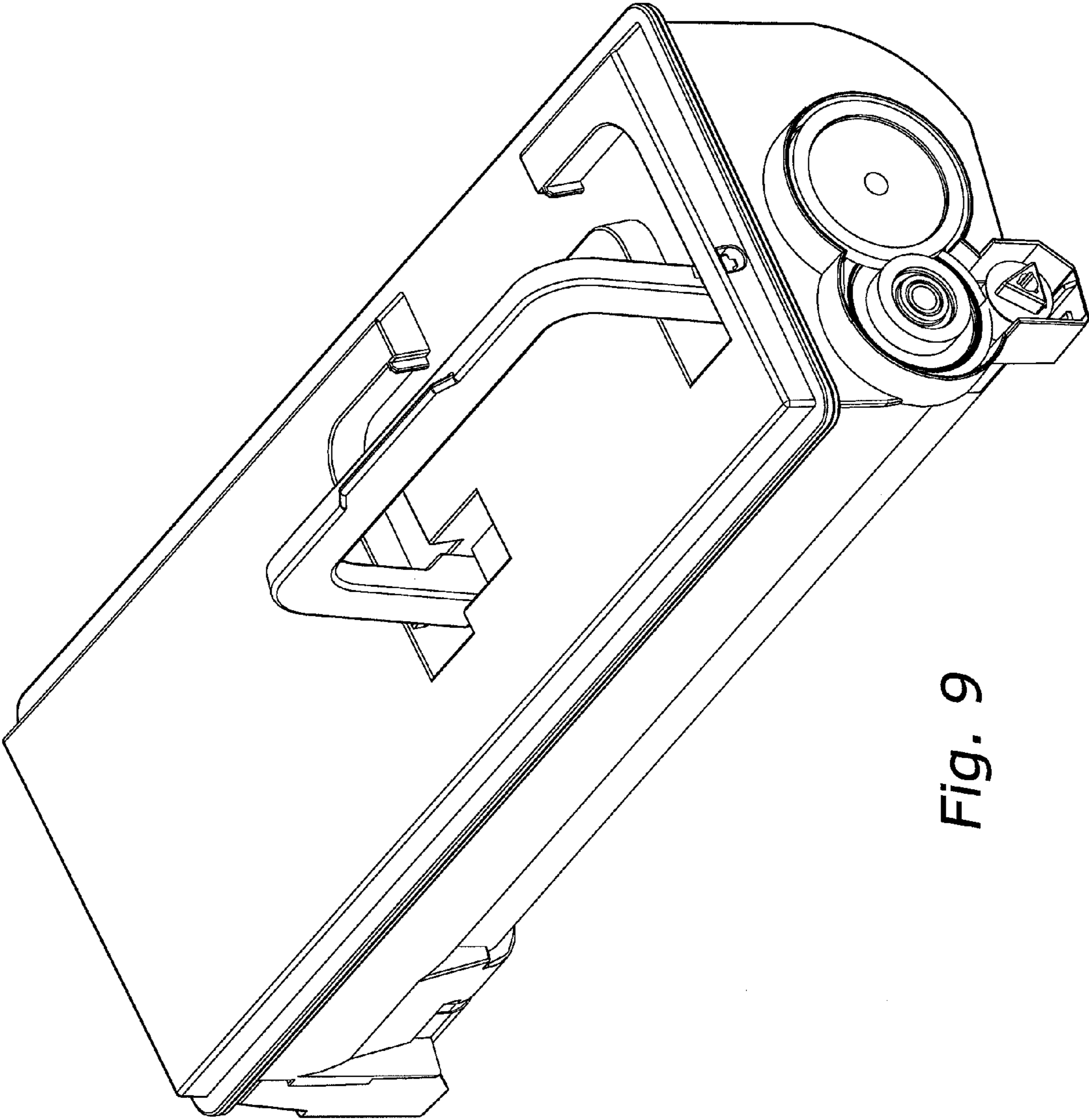


Fig. 9

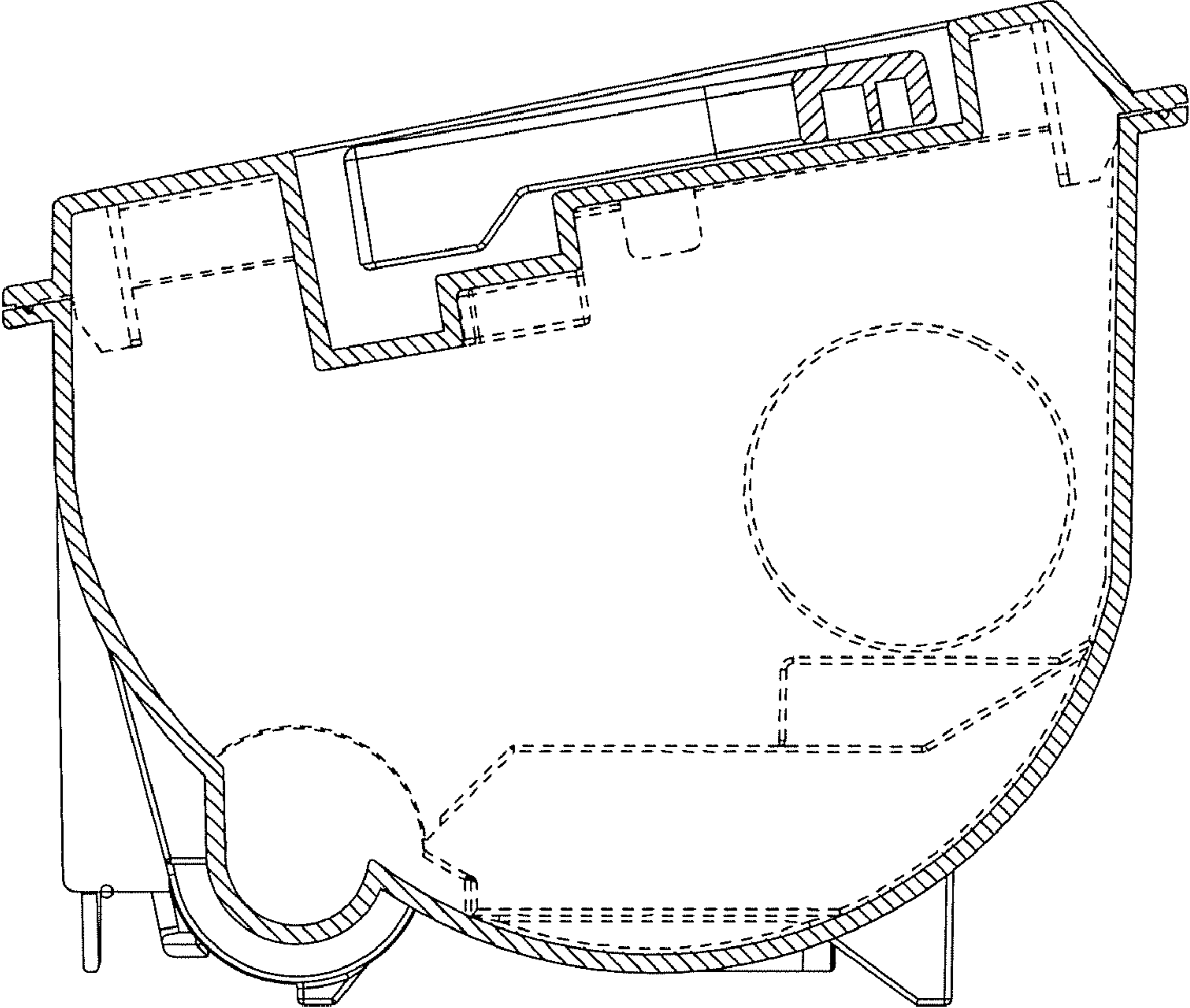


Fig. 10