



US00D621865S

(12) **United States Design Patent**
Chidester

(10) **Patent No.:** **US D621,865 S**

(45) **Date of Patent:** **** Aug. 17, 2010**

(54) **CONNECTION INSERT FOR A QUICK
CONNECT STAND MOUNTING SYSTEM**

(76) Inventor: **Clinton Reed Chidester**, 1113 E.
Waddell St., Eagle Mountain, UT (US)
84005

(**) Term: **14 Years**

(21) Appl. No.: **29/314,730**

(22) Filed: **Apr. 22, 2009**

(51) **LOC (9) Cl.** **16-05**

(52) **U.S. Cl.** **D16/245**

(58) **Field of Classification Search** D16/237,
D16/242, 244, 245; 248/176.1, 177.1, 187.1;
352/343; 396/329, 419, 421, 428
See application file for complete search history.

(56) **References Cited**

U.S. PATENT DOCUMENTS

D265,481	S *	7/1982	Iwasaki	D16/245
D265,657	S *	8/1982	Lovell	D16/237
4,466,595	A	8/1984	O'Connor		
4,525,052	A	6/1985	Kosugi et al.		
4,570,887	A	2/1986	Banister		
4,763,151	A	8/1988	Klinger		
4,929,973	A	5/1990	Nakatani		
5,137,238	A	8/1992	Hutten		
5,222,826	A	6/1993	Hanke		
5,429,332	A *	7/1995	Ishikawa	248/187.1
5,737,657	A *	4/1998	Paddock et al.	396/428
6,196,504	B1	3/2001	Lemke		

D483,789	S *	12/2003	Dordick	D16/242
6,779,932	B2 *	8/2004	DeSorbo et al.	396/419
7,077,582	B2	7/2006	Johnson		
7,185,862	B1	3/2007	Yang		
7,290,740	B2	11/2007	Joy et al.		
7,409,153	B2 *	8/2008	Ramadan	396/428
D602,974	S *	10/2009	Zen	D16/245

* cited by examiner

Primary Examiner—Adir Aronovich

(74) *Attorney, Agent, or Firm*—Morriss O'Bryant Compagni

(57) **CLAIM**

The ornamental design for the connection insert for a quick connect stand mounting system, as shown and described.

DESCRIPTION

FIG. 1 is a rear and right side perspective view of a connection insert for a quick connect stand mounting system showing my new design;

FIG. 2 is a right side elevational view thereof;

FIG. 3 is a left side elevational view thereof;

FIG. 4 is a front elevational view thereof;

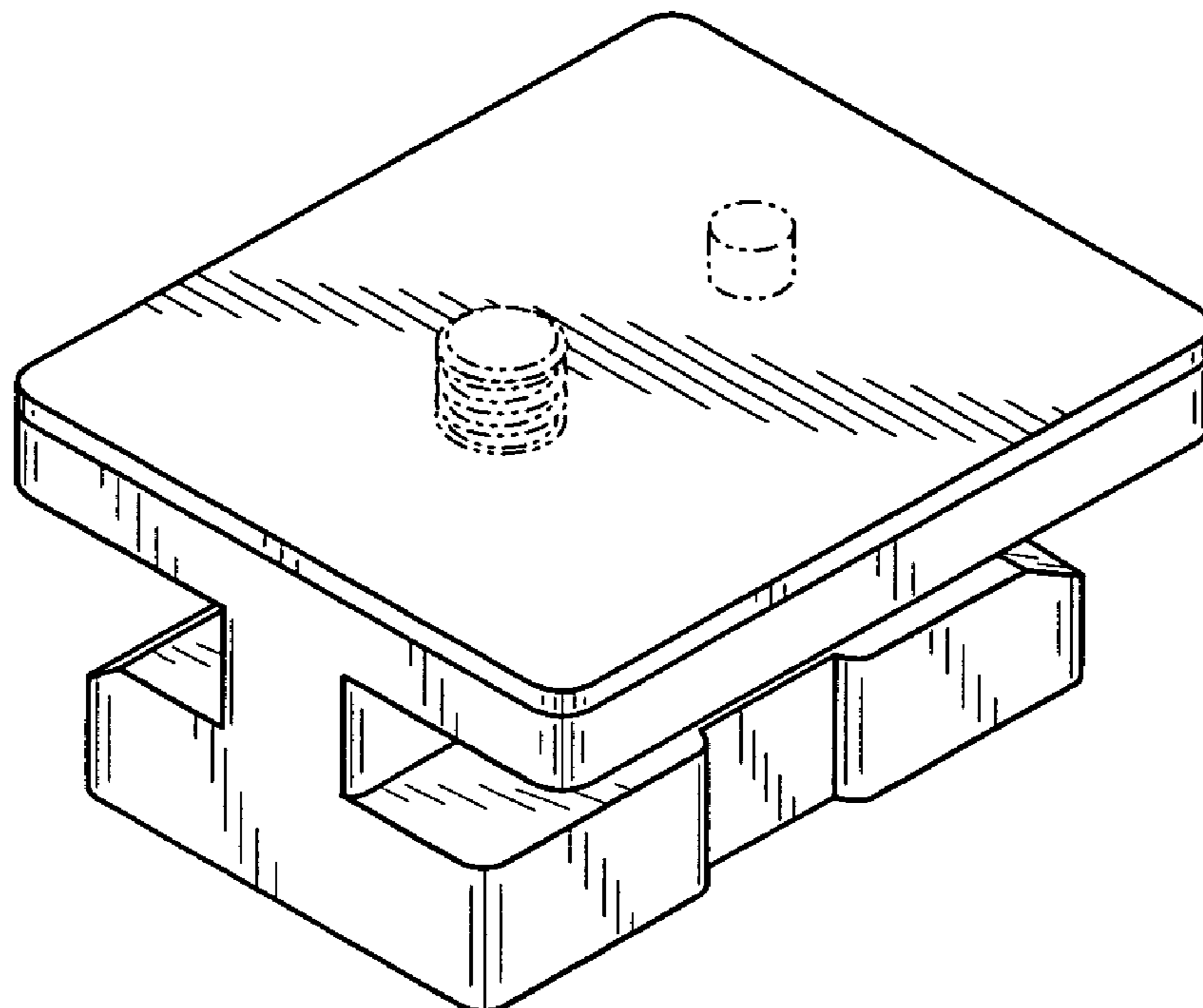
FIG. 5 is a rear elevational view thereof;

FIG. 6 is a top plan view thereof; and,

FIG. 7 is a bottom plan view thereof.

The portions of the article in broken lines are shown for illustrative purposes only and form no part of the claimed design.

1 Claim, 2 Drawing Sheets



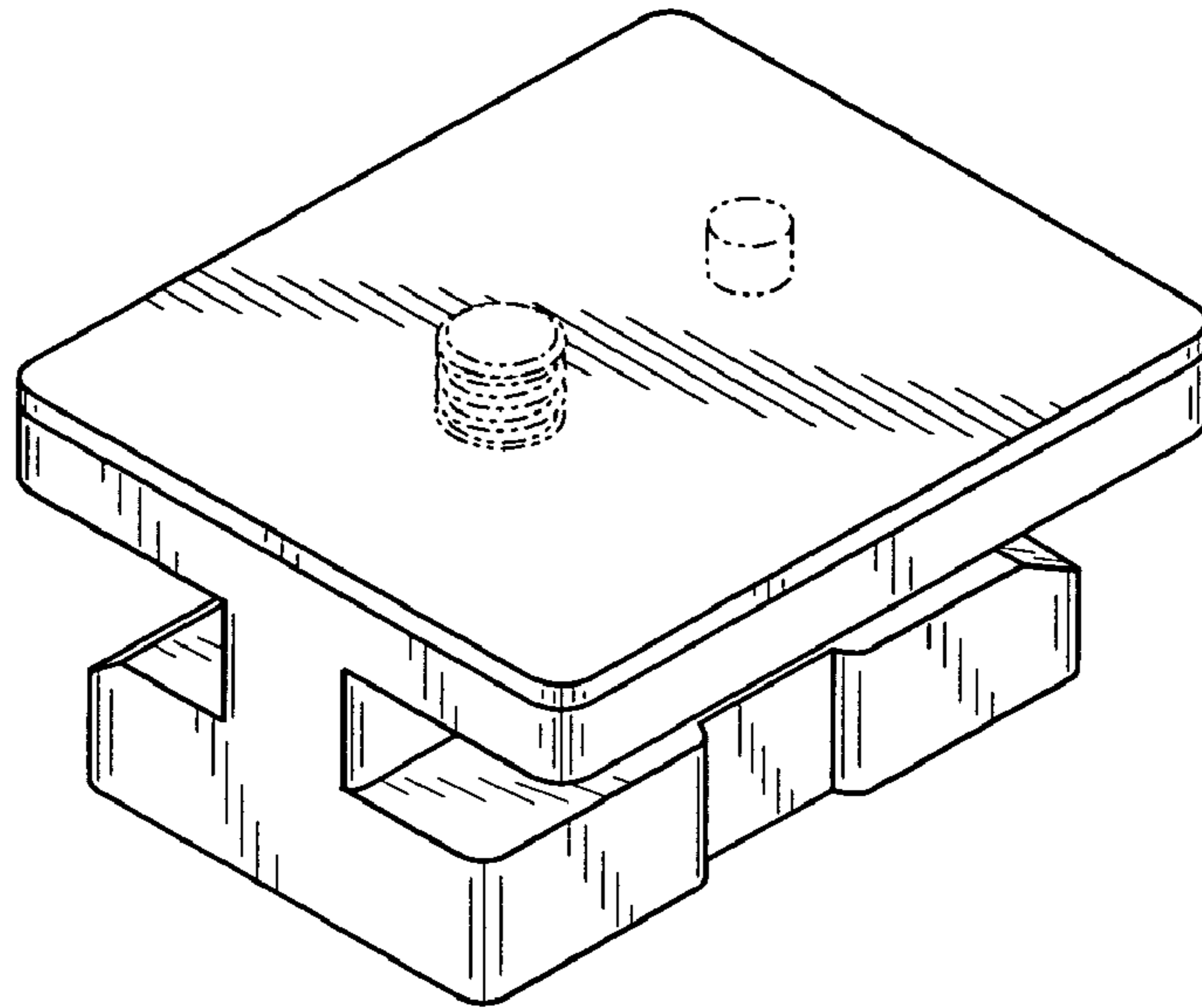


FIG. 1

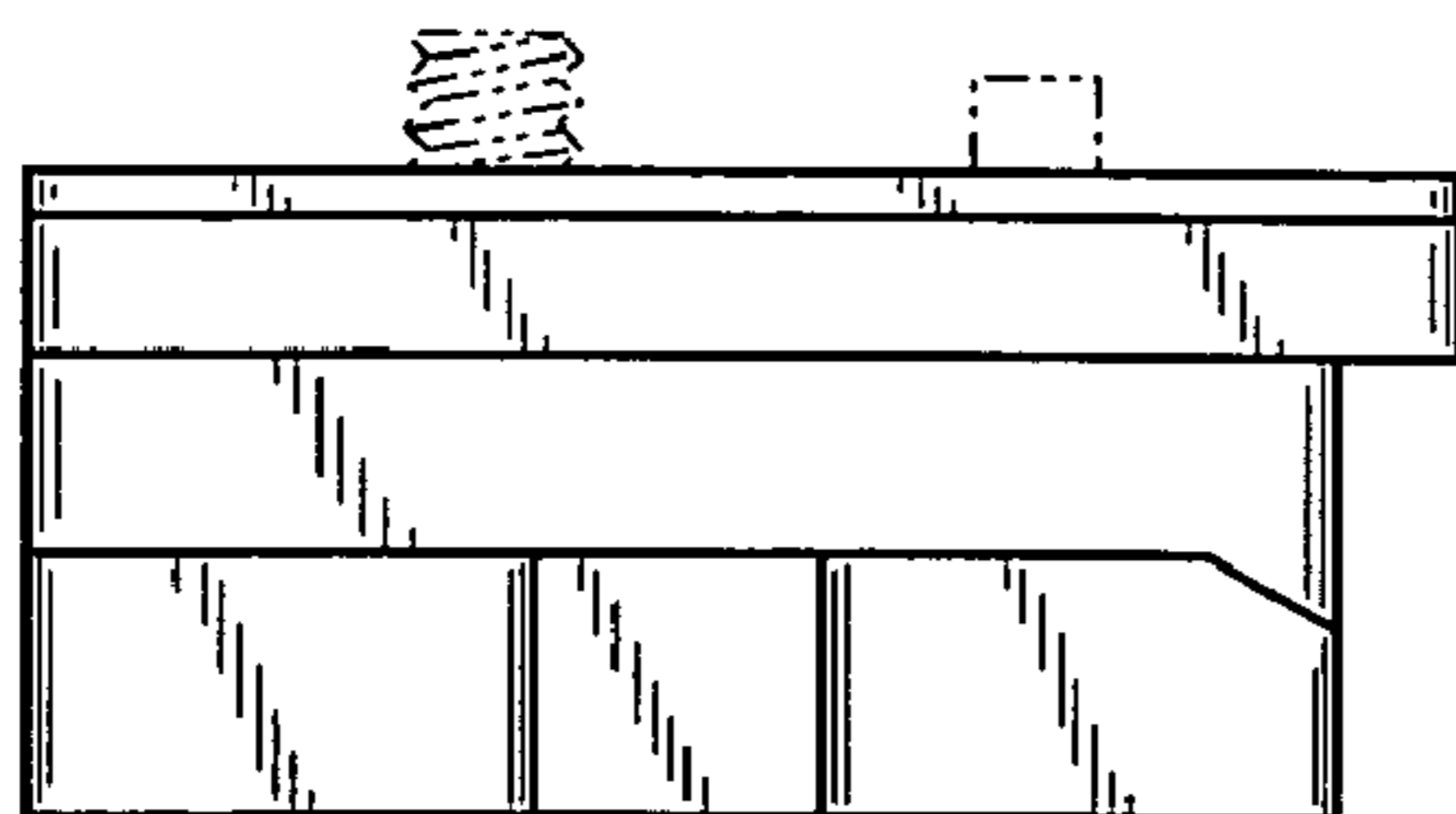


FIG. 2

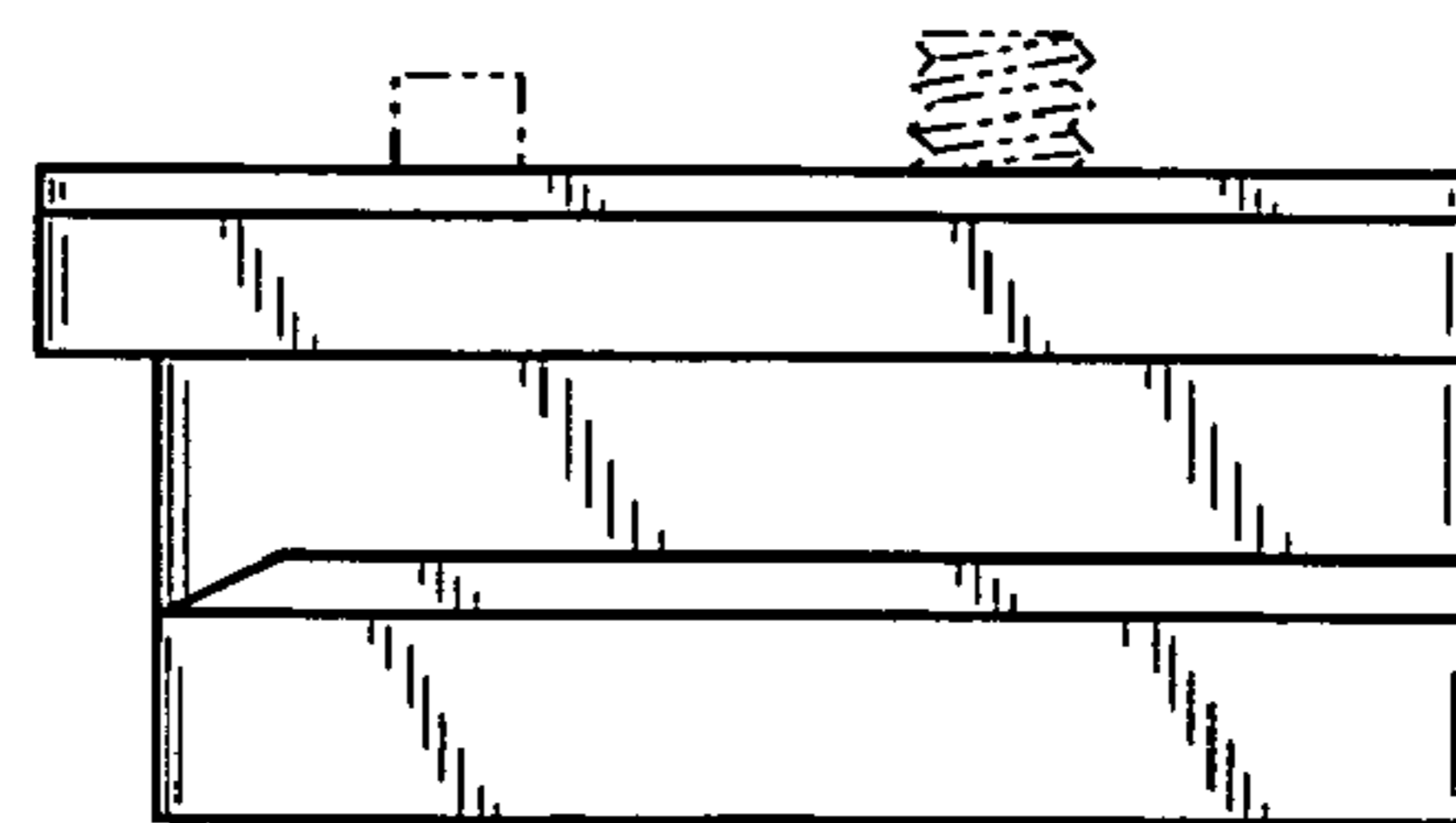


FIG. 3

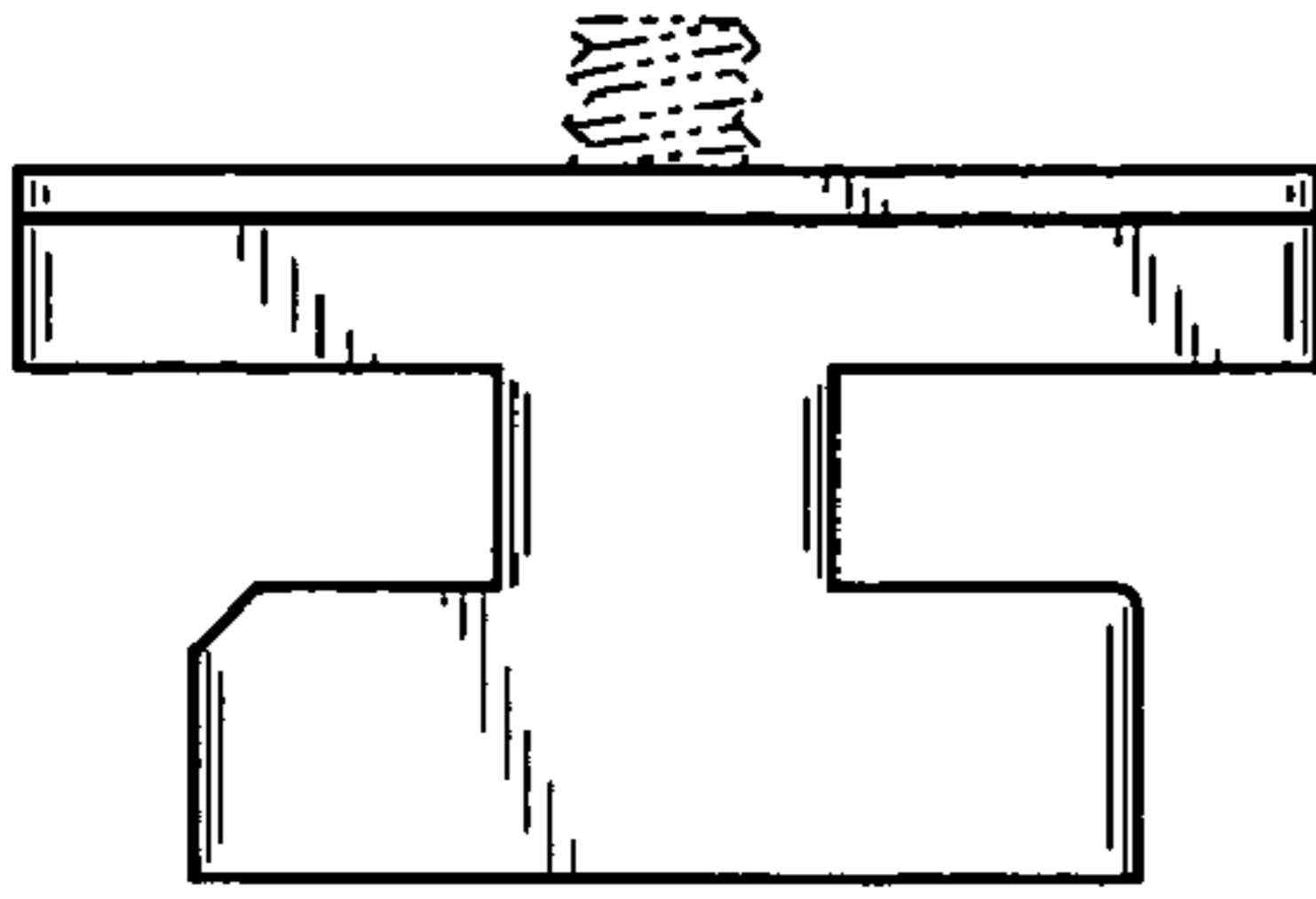


FIG. 4

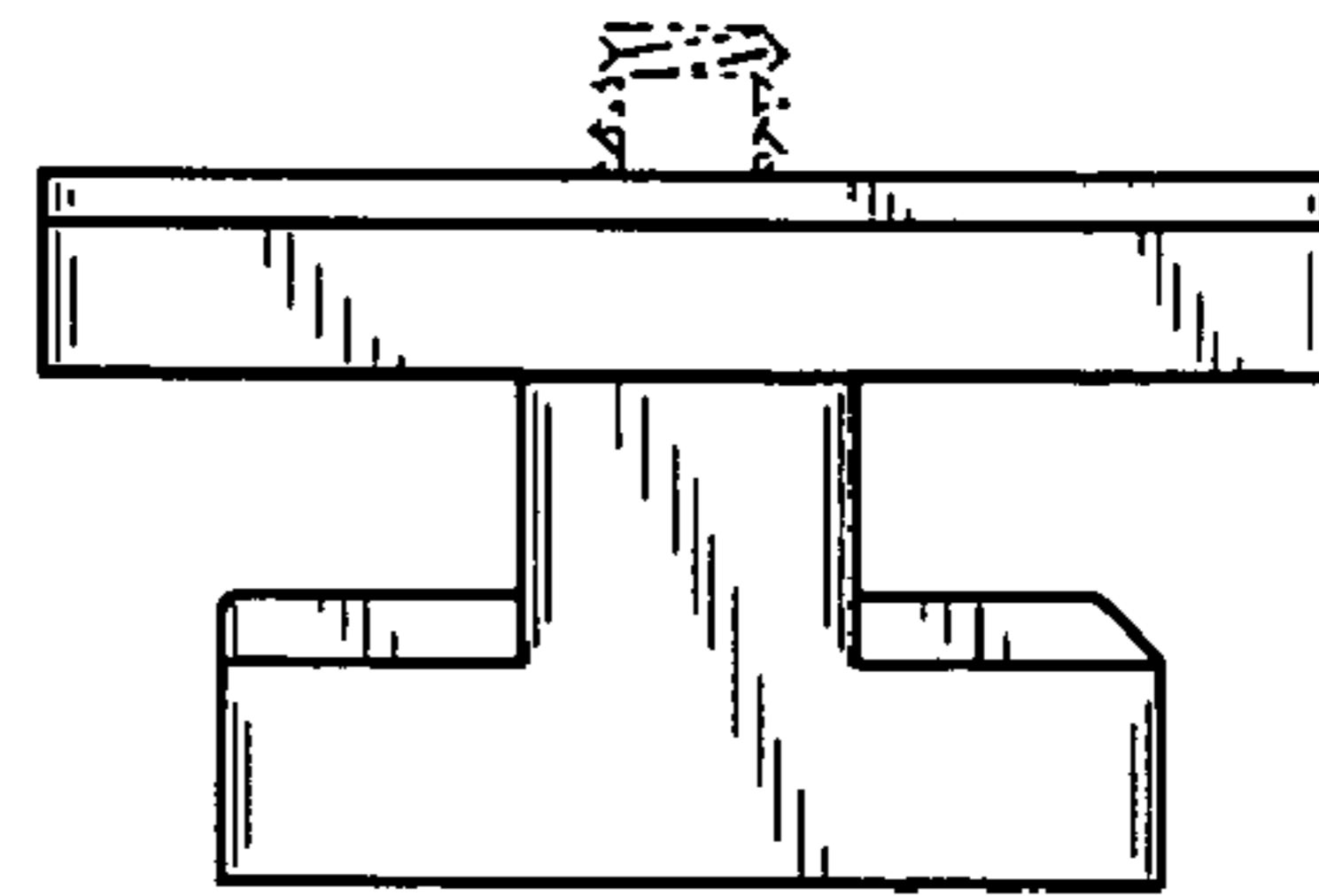


FIG. 5

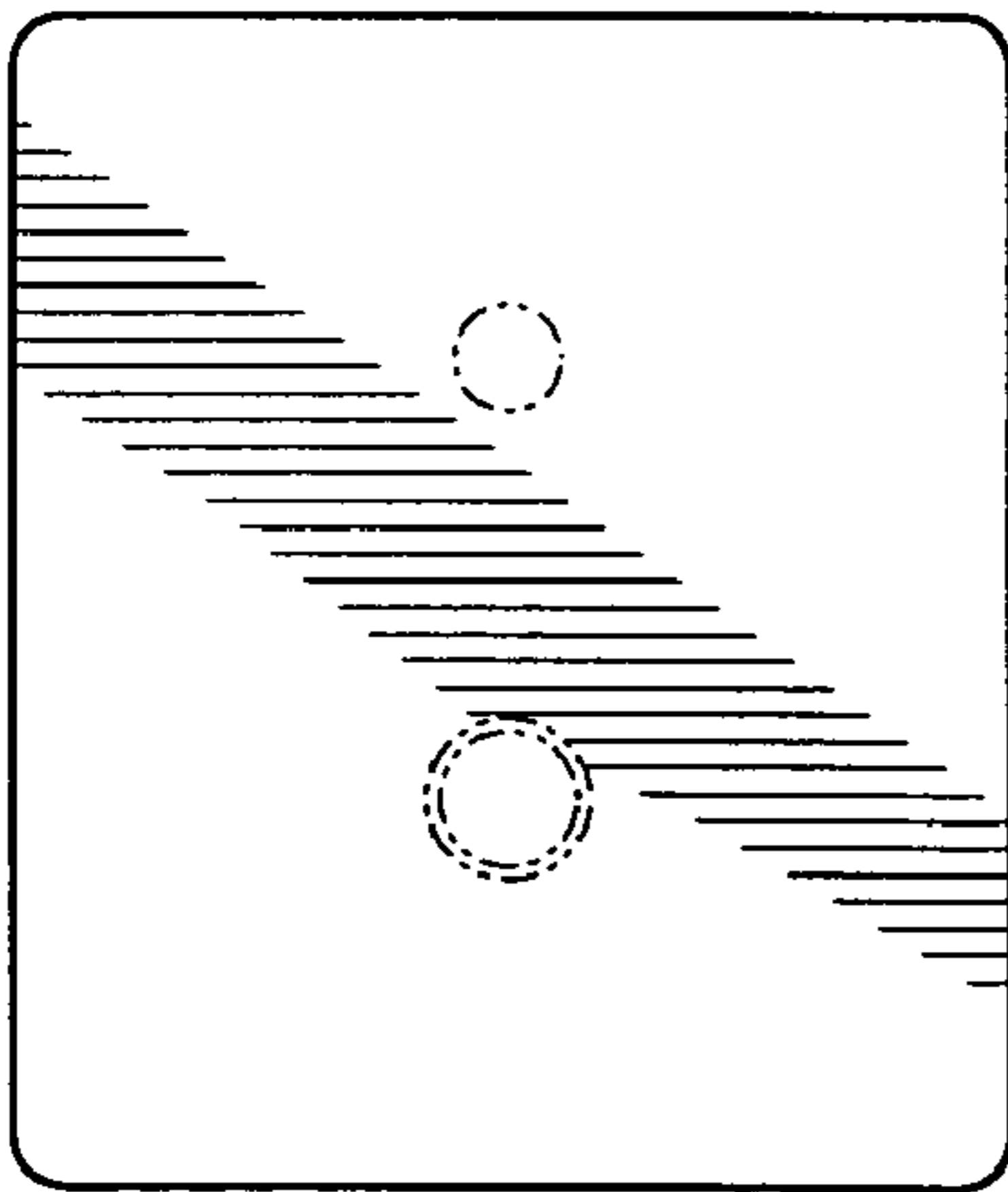


FIG. 6

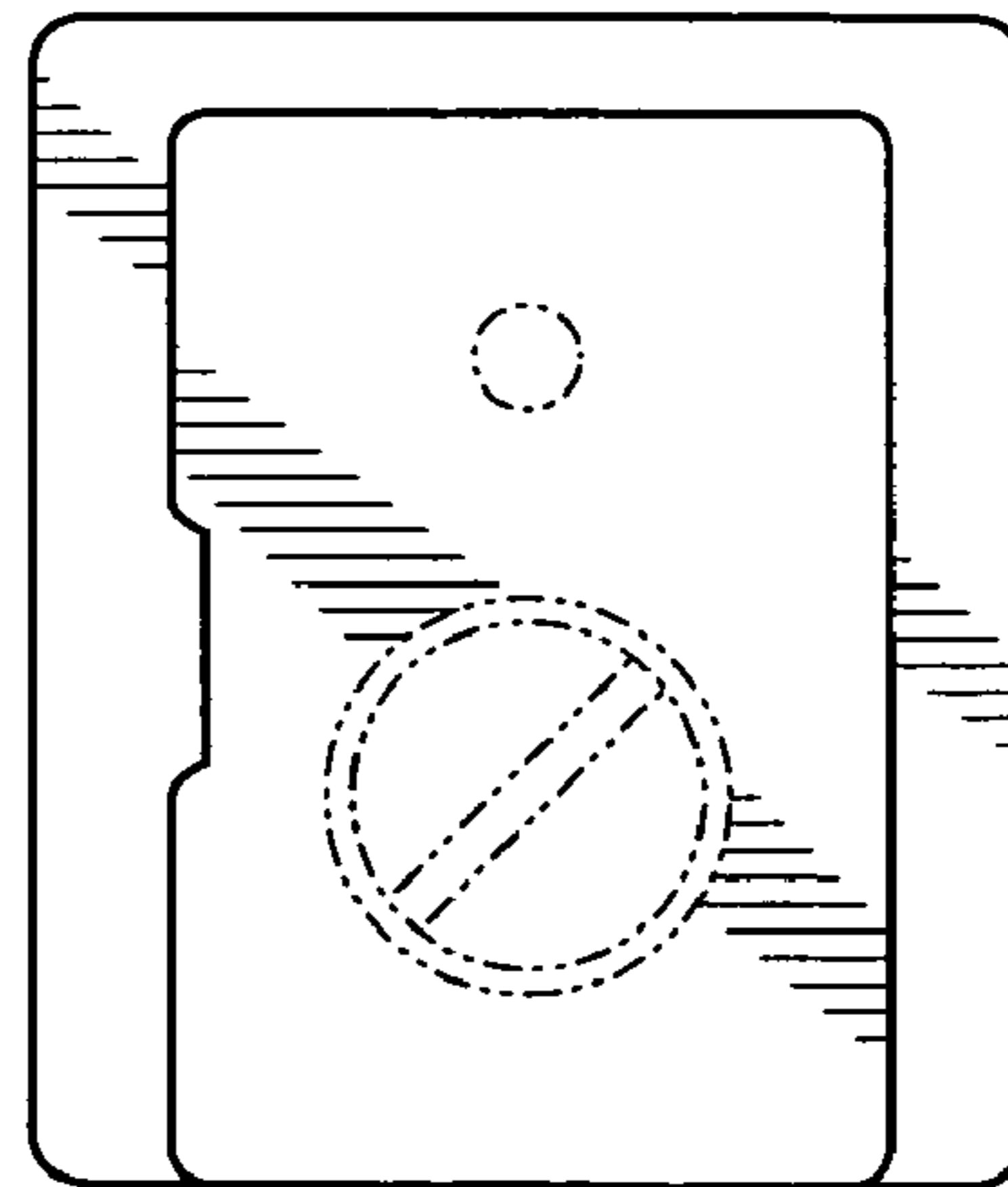


FIG. 7