



US00D621864S

(12) **United States Design Patent**
Daiber et al.

(10) **Patent No.:** **US D621,864 S**

(45) **Date of Patent:** **** Aug. 17, 2010**

(54) **LASER ASSEMBLY**

(75) Inventors: **Andrew John Daiber**, Emerald Hills, CA (US); **Robert Agar Carney**, Belmont, CA (US); **Hendrikus Bukkems**, San Jose, CA (US)

(73) Assignee: **Emcore Corporation**, Albuquerque, NM (US)

(**) Term: **14 Years**

(21) Appl. No.: **29/362,153**

(22) Filed: **May 20, 2010**

(51) **LOC (9) Cl.** **15-99**

(52) **U.S. Cl.** **D15/199**

(58) **Field of Classification Search** D13/133; D15/138, 144, 144.1, 144.2, 199; D23/213; D32/32; 33/286; 118/50.1; 156/272.8; 219/121.63, 219/121.64, 121.78; 372/10, 55; 483/149; 606/9; 700/258

See application file for complete search history.

(56) **References Cited**

U.S. PATENT DOCUMENTS

D268,956 S *	5/1983	DuFresne	D29/129
D405,570 S *	2/1999	Broecking	D32/32
5,916,166 A *	6/1999	Reiss et al.	600/434
6,494,821 B1 *	12/2002	Patel et al.	483/49
D520,106 S *	5/2006	Jones et al.	D23/213
D558,672 S *	1/2008	Easley	D13/133
7,505,504 B2 *	3/2009	Sakai et al.	372/55
D603,431 S *	11/2009	Masauji	D15/122
2002/0079299 A1 *	6/2002	Shikoda et al.	219/121.78
2003/0173344 A1 *	9/2003	Hermann	219/121.64

2004/0026388 A1 *	2/2004	Staufer et al.	219/121.78
2004/0078115 A1 *	4/2004	Vila Papell	700/258
2005/0247681 A1 *	11/2005	Boillot et al.	219/121.63
2007/0000883 A1 *	1/2007	Jung	219/121.63
2007/0131348 A1 *	6/2007	Nakajima et al.	156/272.8
2007/0137779 A1 *	6/2007	Mori et al.	156/272.8
2007/0199929 A1 *	8/2007	Rippl et al.	219/121.78
2007/0204473 A1 *	9/2007	Dillon	33/286
2007/0248126 A1 *	10/2007	Liu et al.	372/10
2009/0046967 A1 *	2/2009	Pope et al.	384/492
2009/0095214 A1 *	4/2009	Whitfield	118/50.1
2009/0212028 A1 *	8/2009	Watanabe et al.	219/121.63
2010/0094265 A1 *	4/2010	Rastegar et al.	606/9

* cited by examiner

Primary Examiner—Patricia Palasik

(57) **CLAIM**

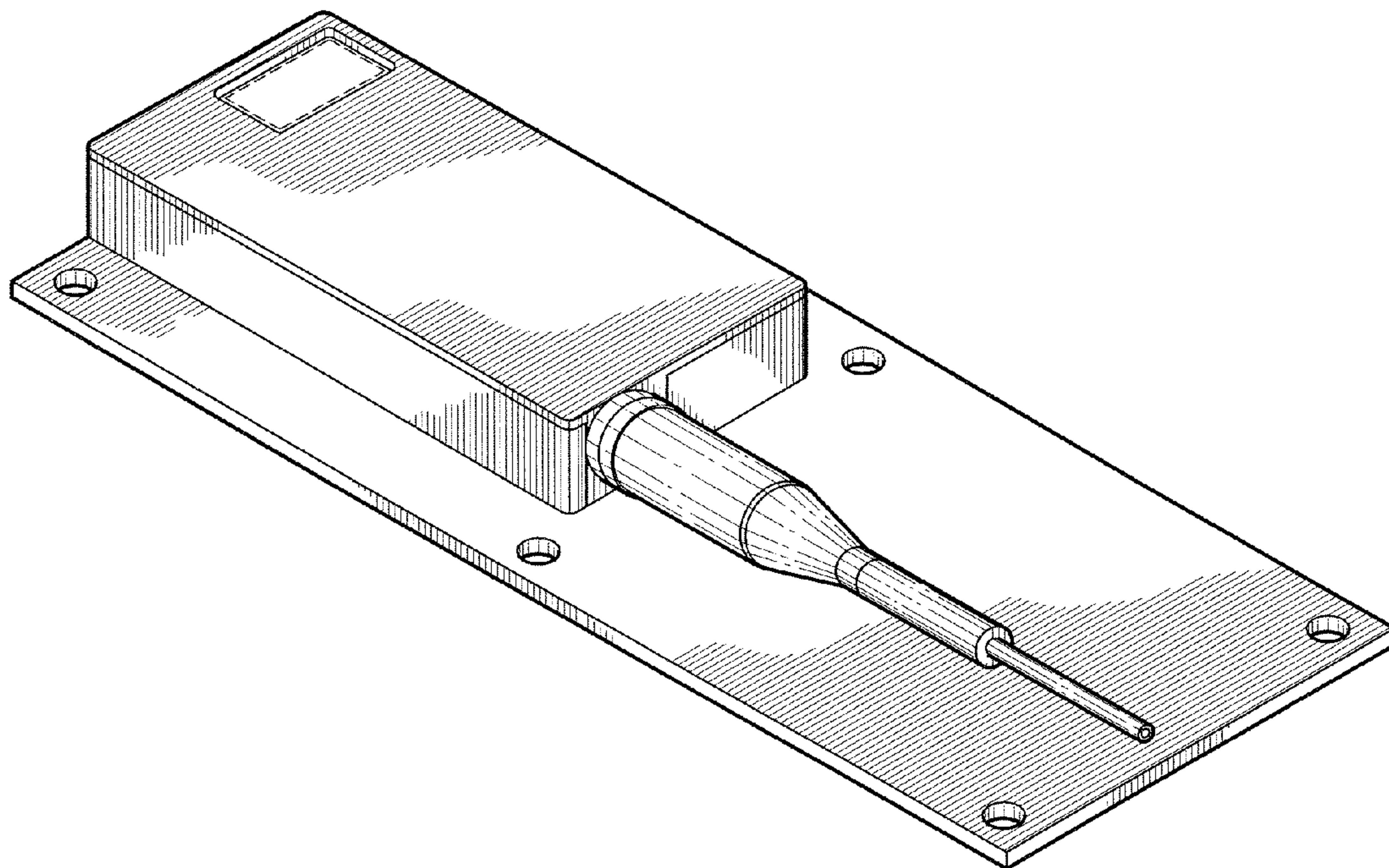
The ornamental design for a laser assembly, as shown and described.

DESCRIPTION

FIG. 1 is a top perspective view of the laser assembly, FIG. 2 is a right side elevation view thereof; FIG. 3 is a left side elevation view thereof; FIG. 4 is a top plan view thereof; FIG. 5 is a bottom plan view thereof; FIG. 6 is a front elevation view thereof; and, FIG. 7 is a rear elevation view thereof.

The broken lines illustrated in the drawings depict unclaimed environmental subject matter and form no part of the claimed design.

1 Claim, 4 Drawing Sheets



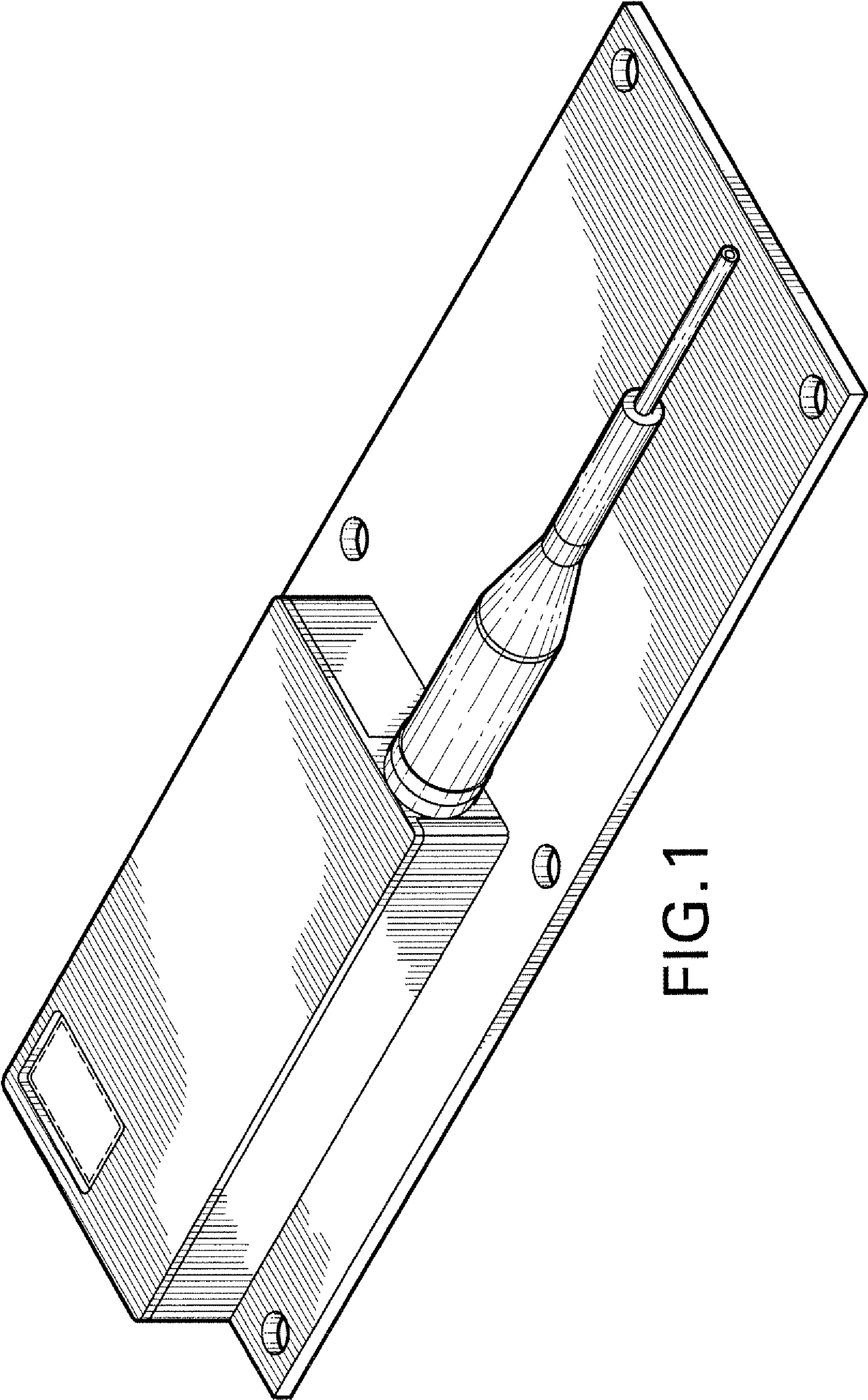


FIG. 1



FIG. 2

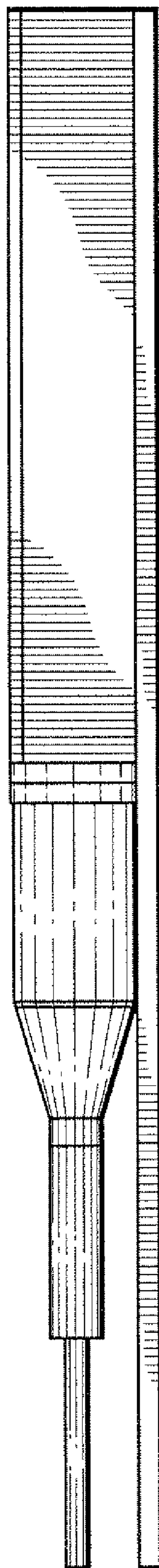


FIG. 3

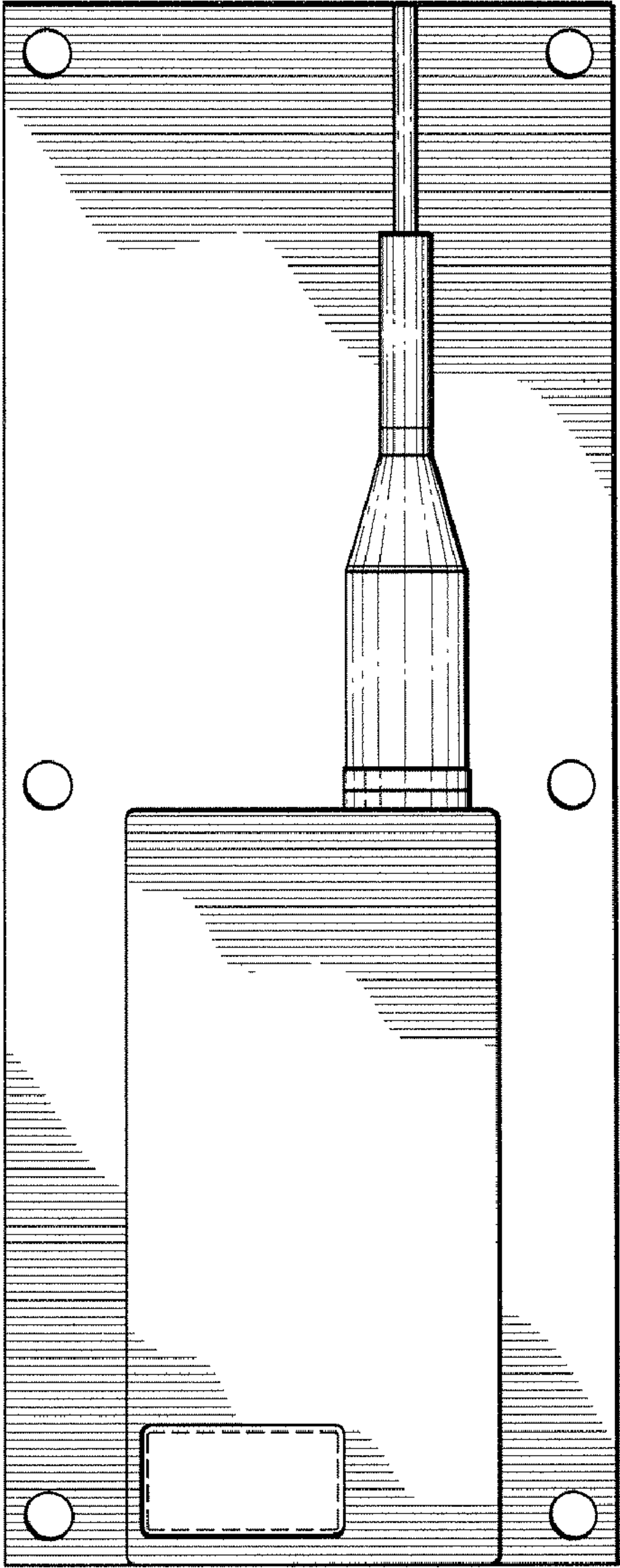


FIG. 4

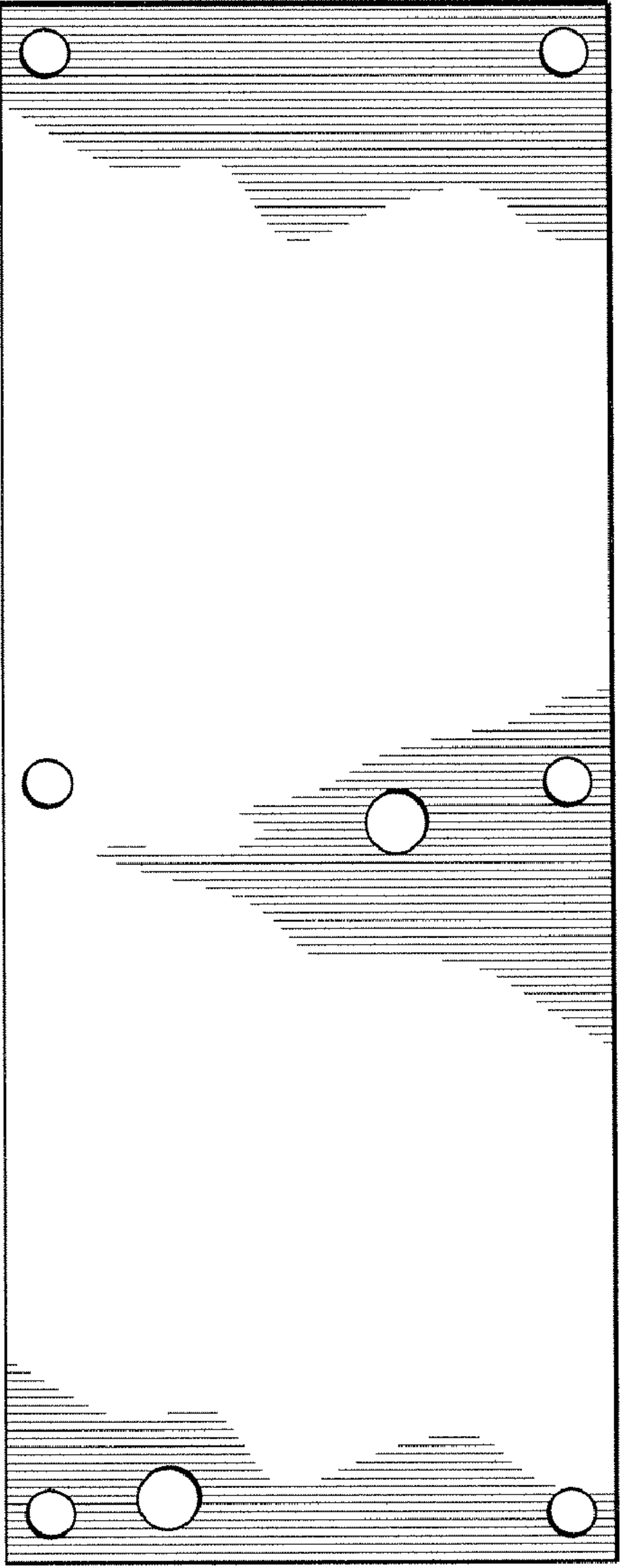


FIG. 5

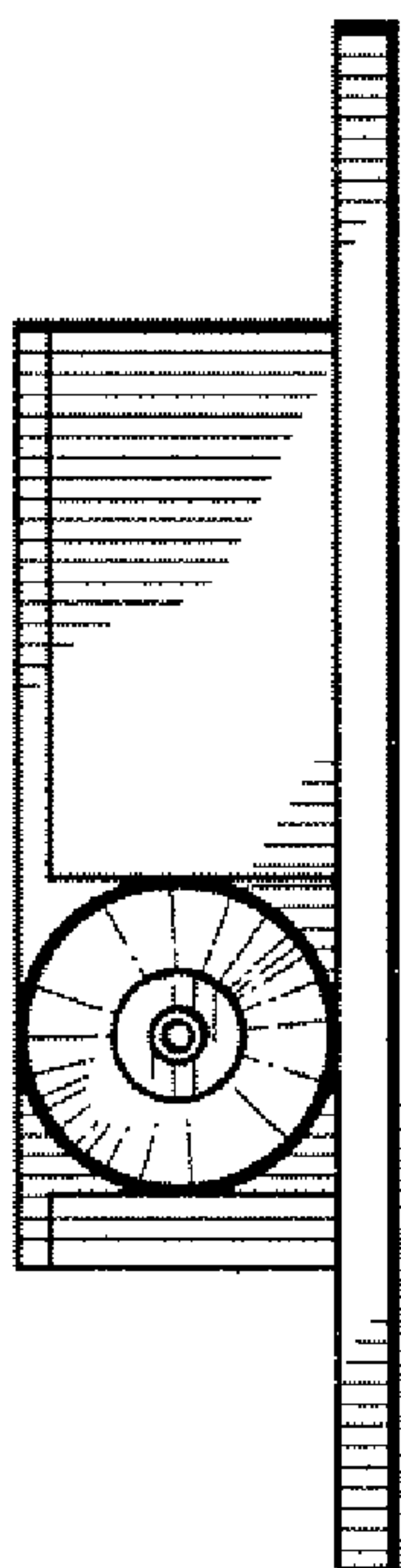


FIG. 6

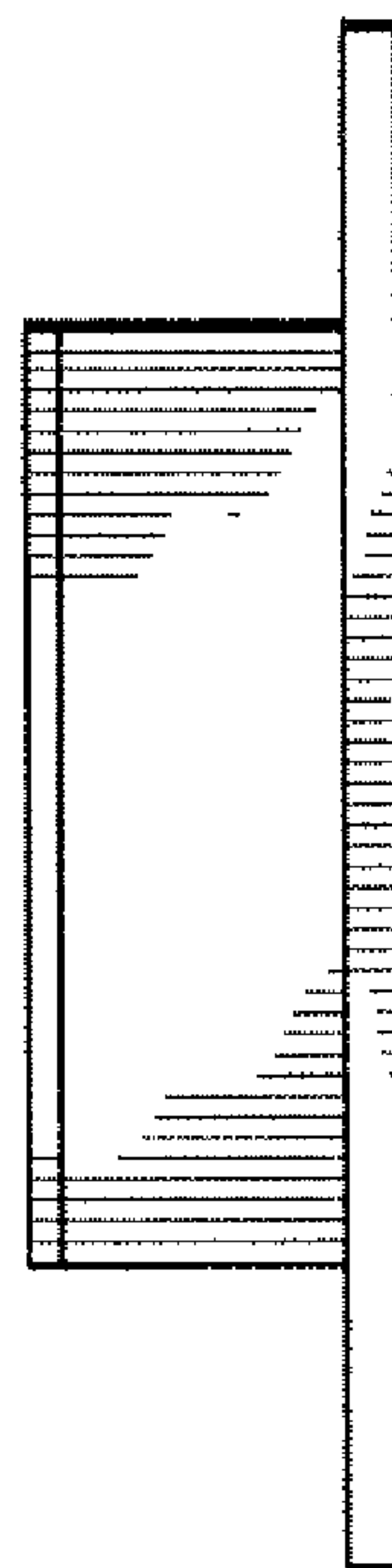


FIG. 7