



US00D621863S

(12) **United States Design Patent**
Earley et al.

(10) **Patent No.:** **US D621,863 S**
(45) **Date of Patent:** **** Aug. 17, 2010**

(54) **DEVICE FOR DISPENSING PLASTIC FASTENERS**

D490,451 S * 5/2004 Nagai et al. D15/199
D585,223 S * 1/2009 Rust D6/515
D600,726 S * 9/2009 Claassen et al. D15/199

(75) Inventors: **John Earley**, Northboro, MA (US);
William J. Cooper, Woonsocket, RI (US)

* cited by examiner

Primary Examiner—Brian N Vinson

(74) *Attorney, Agent, or Firm*—Kriegsman & Kriegsman

(73) Assignee: **Avery Dennison Corporation**,
Pasadena, CA (US)

(57) **CLAIM**

(**) Term: **14 Years**

The ornamental design for a device for dispensing plastic fasteners.

(21) Appl. No.: **29/301,120**

(22) Filed: **Feb. 11, 2008**

DESCRIPTION

(51) **LOC (9) Cl.** **15-01**

FIG. 1 is a top, front, and left side perspective view of a device for dispensing plastic fasteners showing our new design;

(52) **U.S. Cl.** **D15/199**

FIG. 2 is a right side elevational view thereof;

(58) **Field of Classification Search** D6/515;

FIG. 3 is a left side elevational view thereof;

D15/122, 135, 136, 199; 118/410, 642, 679,
118/712; 264/245, 308, 401; 427/355, 402

FIG. 4 is a top plan view thereof;

See application file for complete search history.

FIG. 5 is a bottom plan view thereof;

FIG. 6 is a front elevational view thereof; and,

FIG. 7 is a rear elevational view thereof.

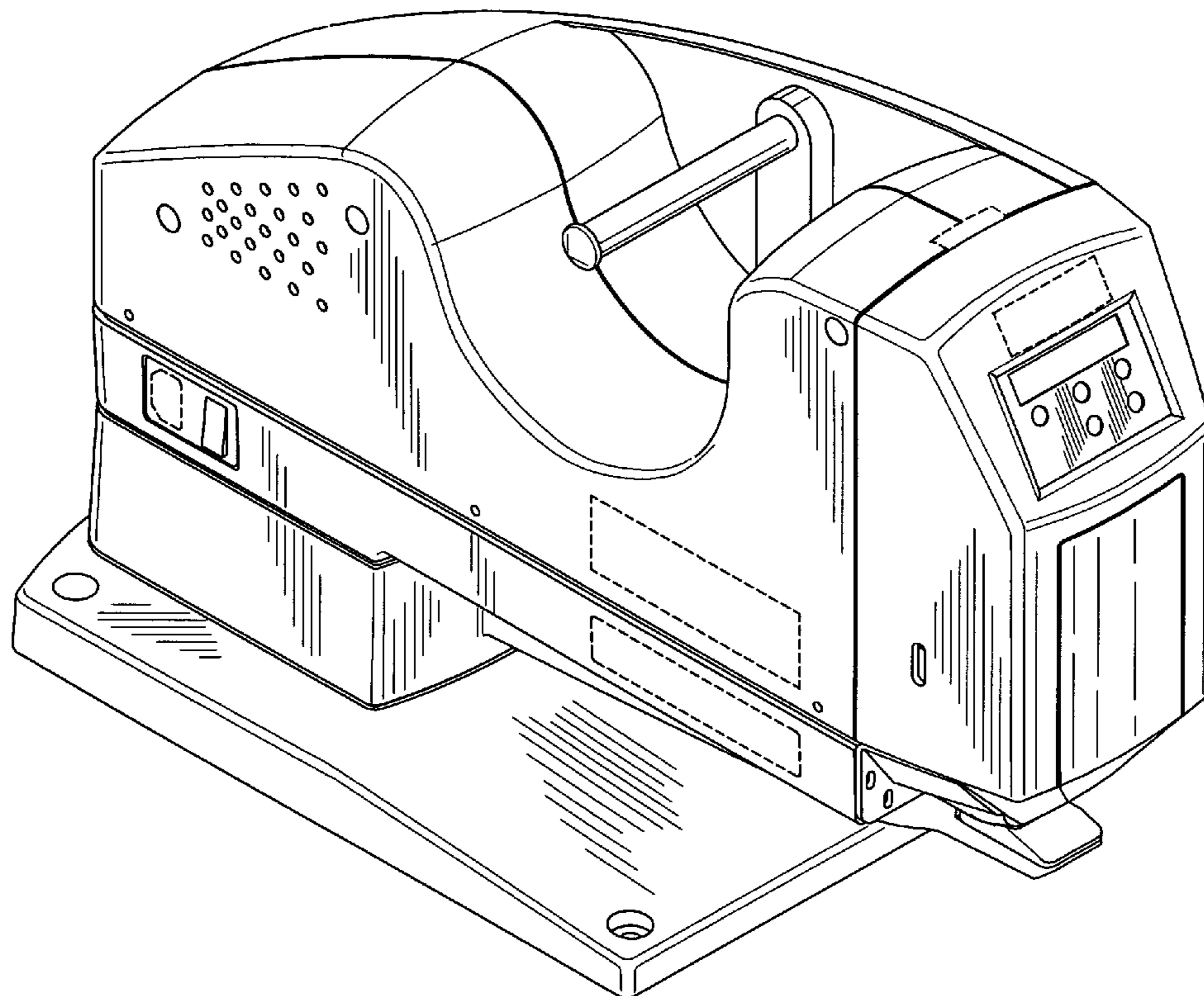
(56) **References Cited**

The broken-line disclosure is understood to represent portions of the article in which the claimed design is embodied, but which form no part of the claimed design.

U.S. PATENT DOCUMENTS

4,039,078 A 8/1977 Bone
4,877,172 A 10/1989 Franklin et al.
5,433,366 A 7/1995 Deschenes et al.
5,615,816 A 4/1997 Deschenes et al.

1 Claim, 4 Drawing Sheets



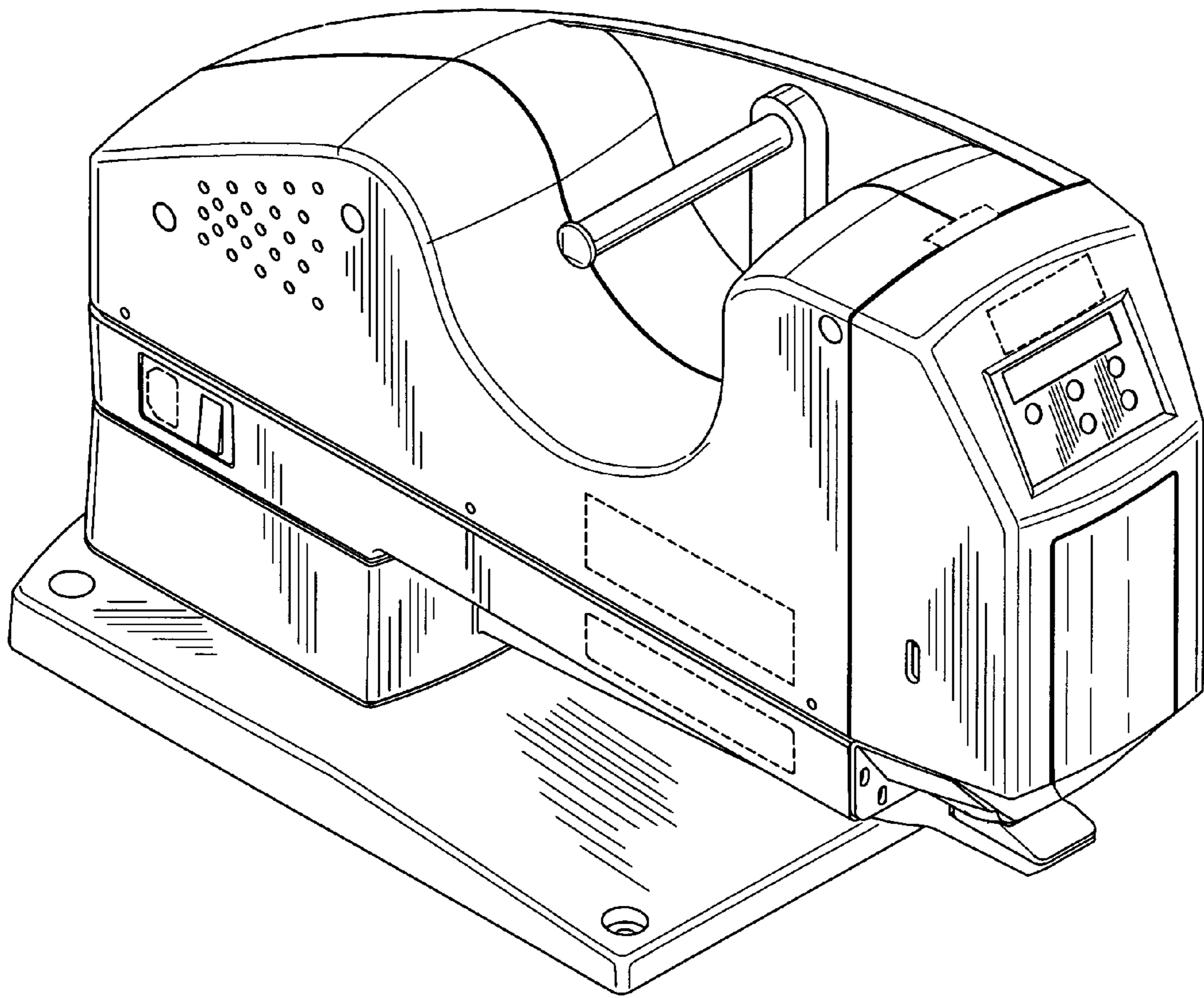


FIG. 1

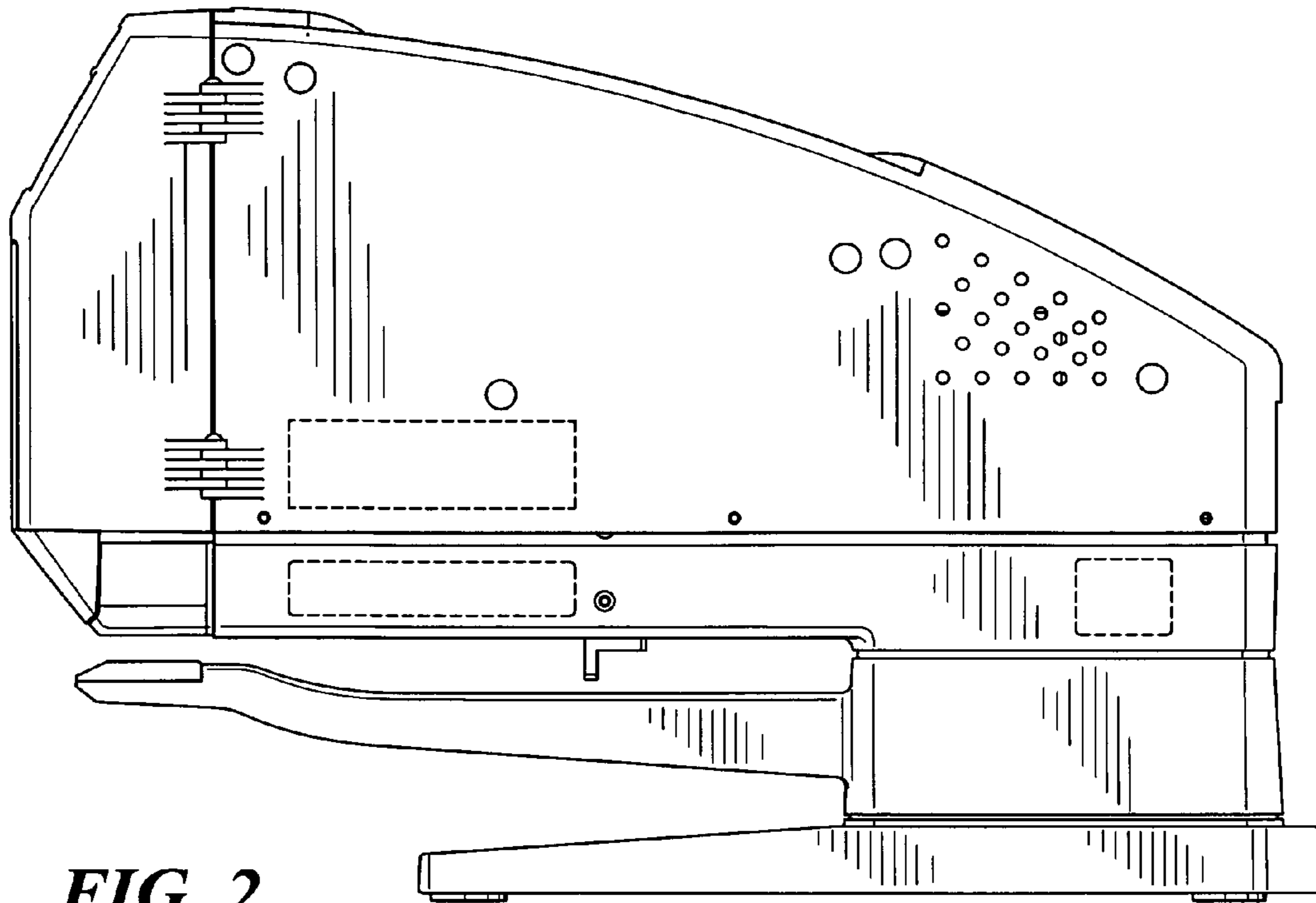


FIG. 2

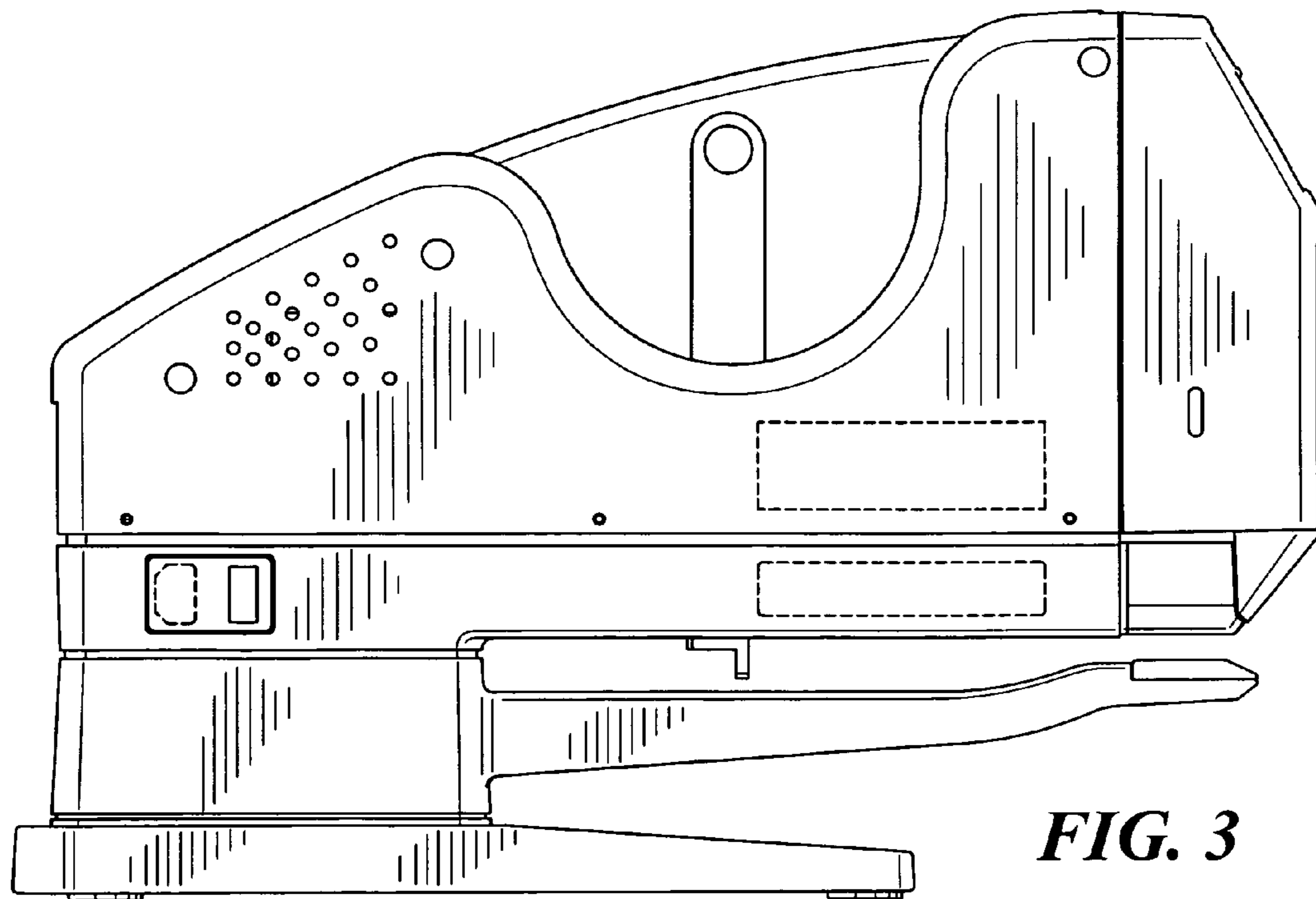


FIG. 3

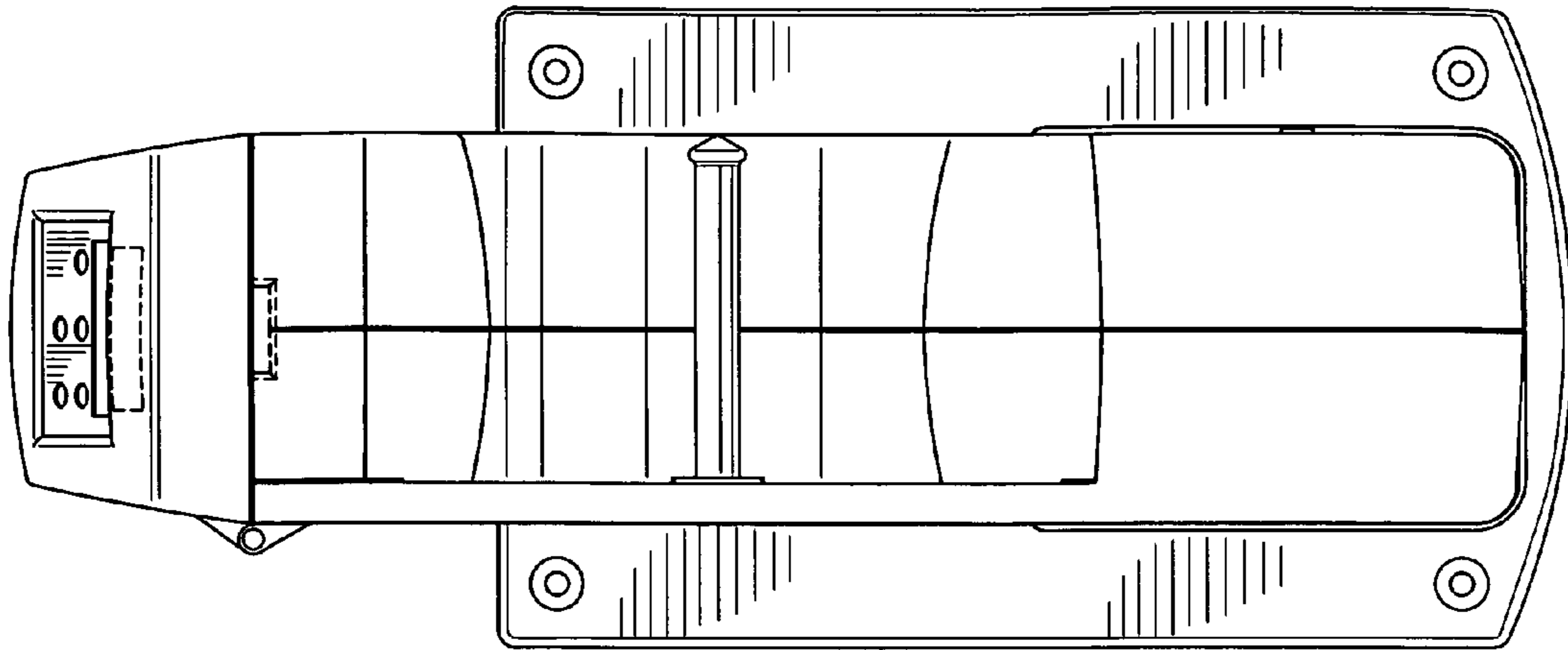


FIG. 4

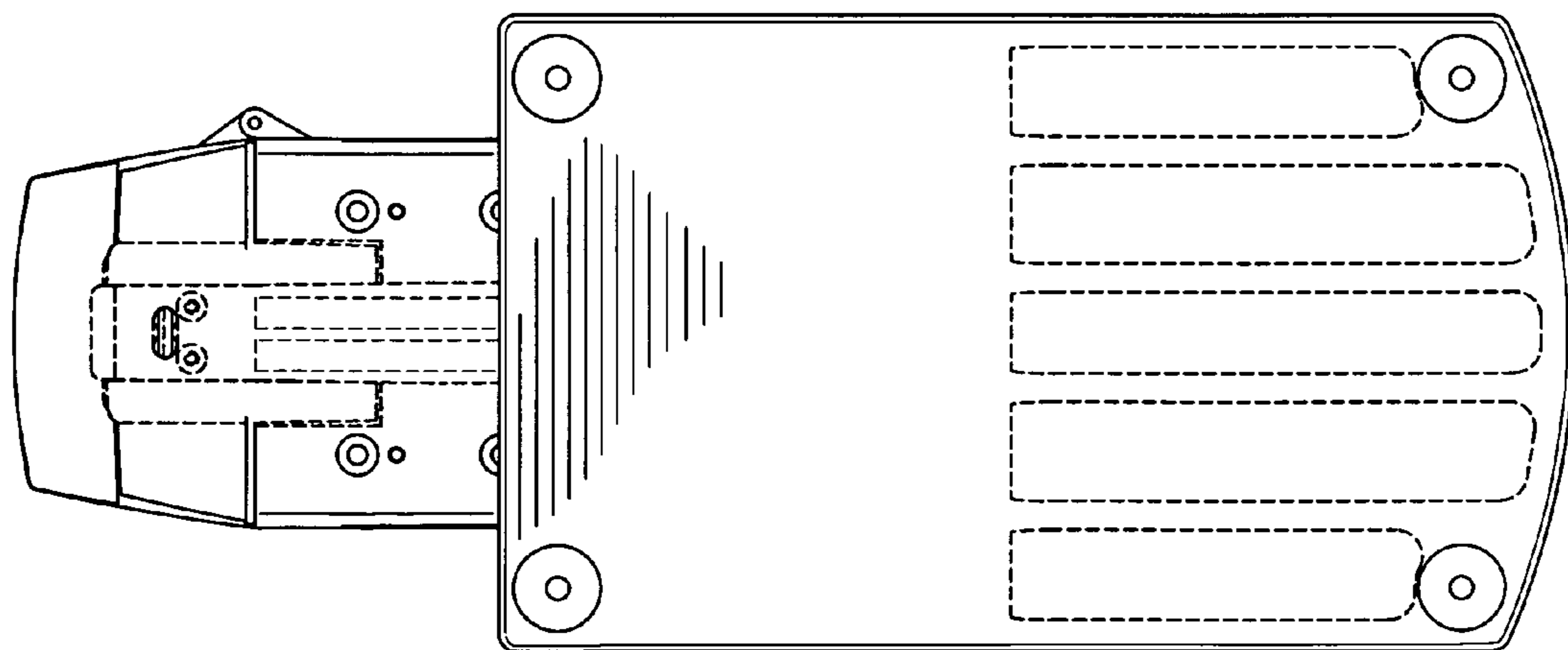


FIG. 5

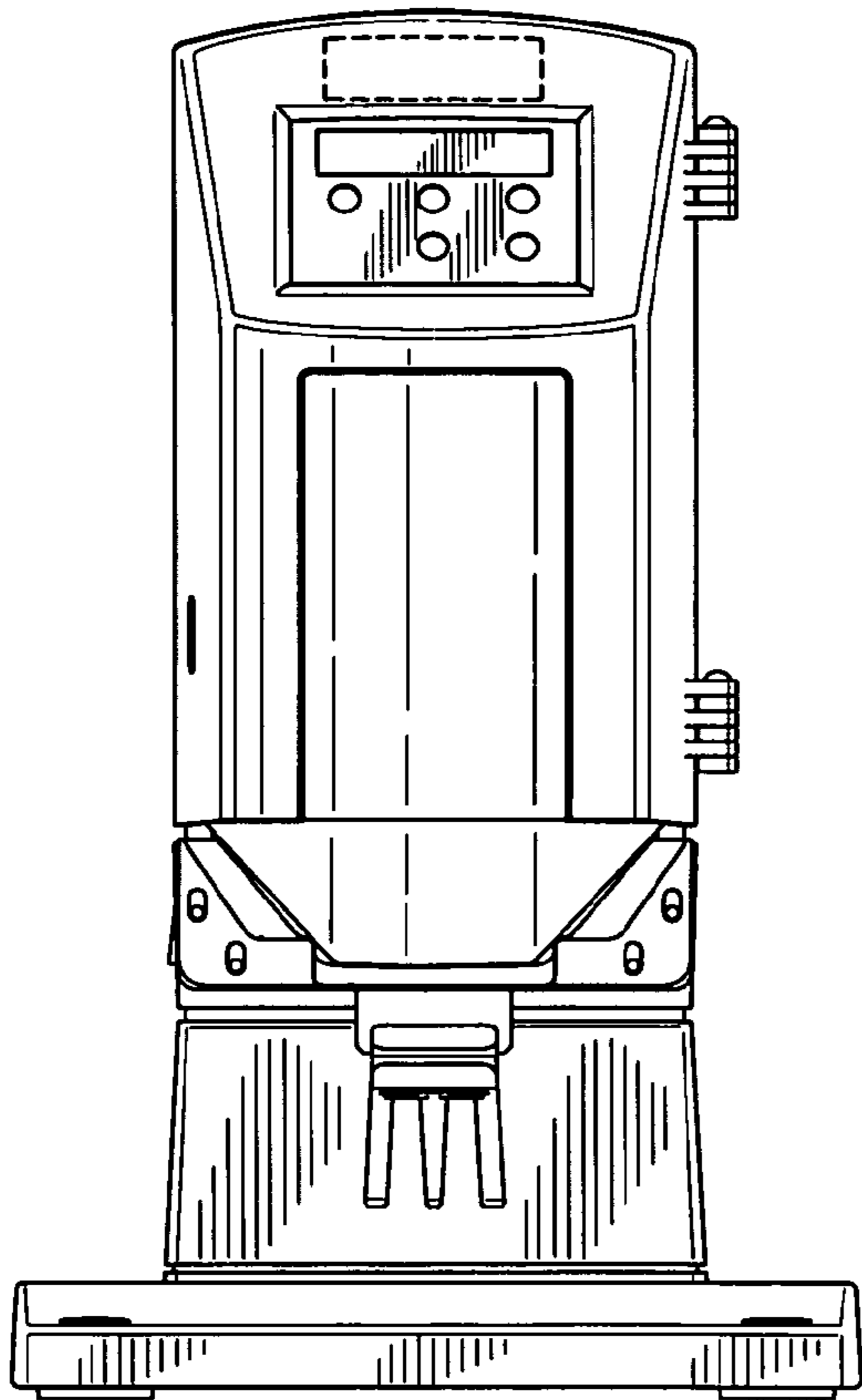


FIG. 6

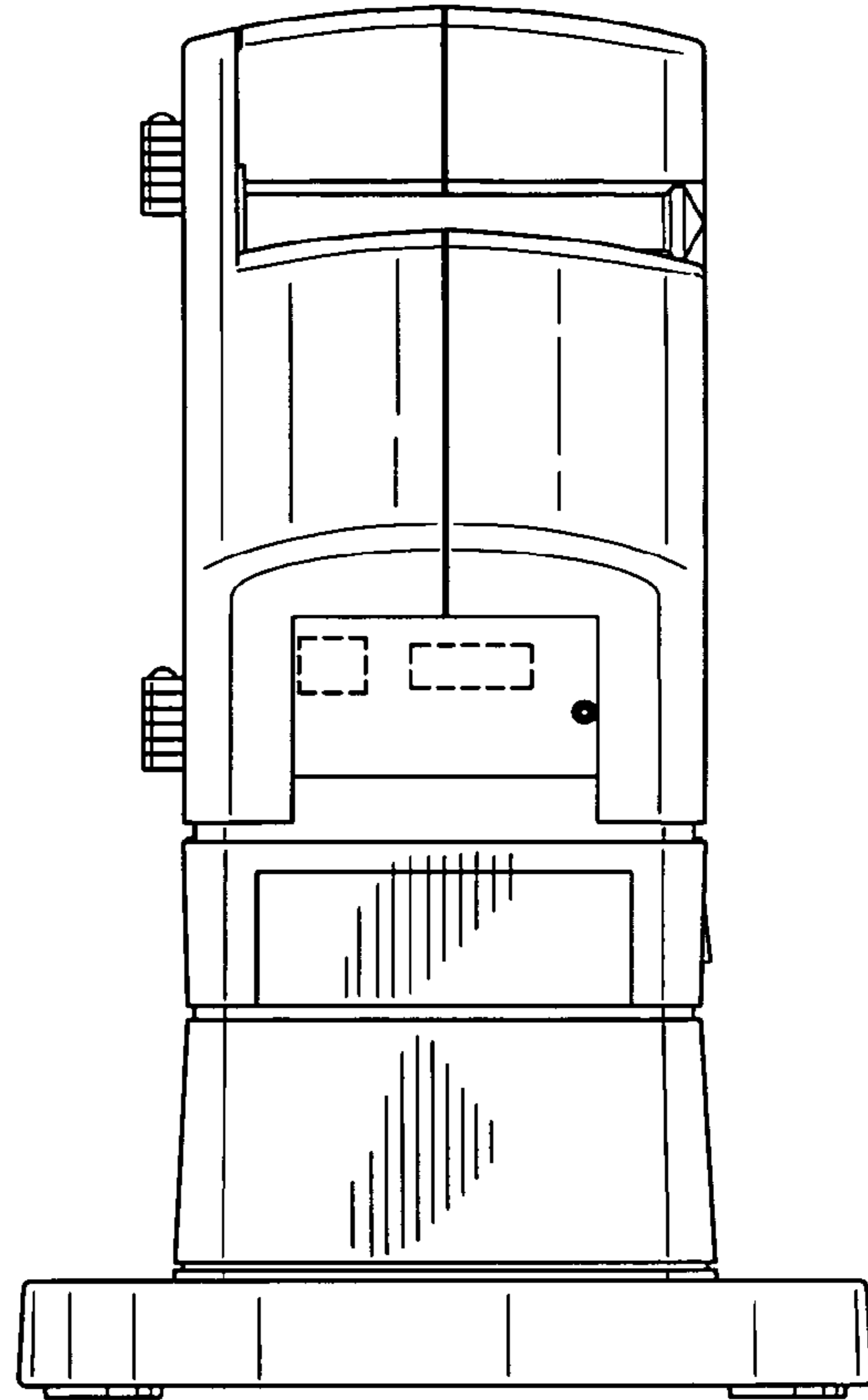


FIG. 7