



US00D621858S

(12) **United States Design Patent**
Berger et al.

(10) **Patent No.:** **US D621,858 S**

(45) **Date of Patent:** **** Aug. 17, 2010**

(54) **DIE**

(76) Inventors: **Harald Berger**, Am Zihlbühl 1, D-88690
Uhldingen-Mühlhofen (DE); **Horst
Rank**, Bahnhofstrasse 7, D-88048
Friedrichshafen (DE)

(**) Term: **14 Years**

(21) Appl. No.: **29/348,128**

(22) Filed: **Dec. 2, 2009**

(51) **LOC (9) Cl.** **15-09**

(52) **U.S. Cl.** **D15/136**

(58) **Field of Classification Search** D15/135,
D15/136, 137; 52/585.1, 606; 156/145,
156/147; 403/298; 411/508; 425/233, 388,
425/405.1, 408, 444, 445, 446, 503, 504,
425/508, 515, 516, 554, 572, 588

See application file for complete search history.

(56) **References Cited**

U.S. PATENT DOCUMENTS

4,028,042 A * 6/1977 Goodfellow et al. 425/515

4,947,610 A * 8/1990 Koerner 52/585.1
5,578,263 A * 11/1996 Marcus 264/537
2007/0075463 A1 * 4/2007 Huang et al. 264/489
2009/0079111 A1 * 3/2009 Kasai et al. 264/489

* cited by examiner

Primary Examiner—Sandra Snapp

Assistant Examiner—Patricia Palasik

(74) *Attorney, Agent, or Firm*—Pandiscio & Pandiscio

(57) **CLAIM**

The ornamental design for a die, as shown and described.

DESCRIPTION

FIG. 1 is a perspective view of a die showing my new design;

FIG. 2 is a front end elevational view thereof;

FIG. 3 is a second end elevational view thereof;

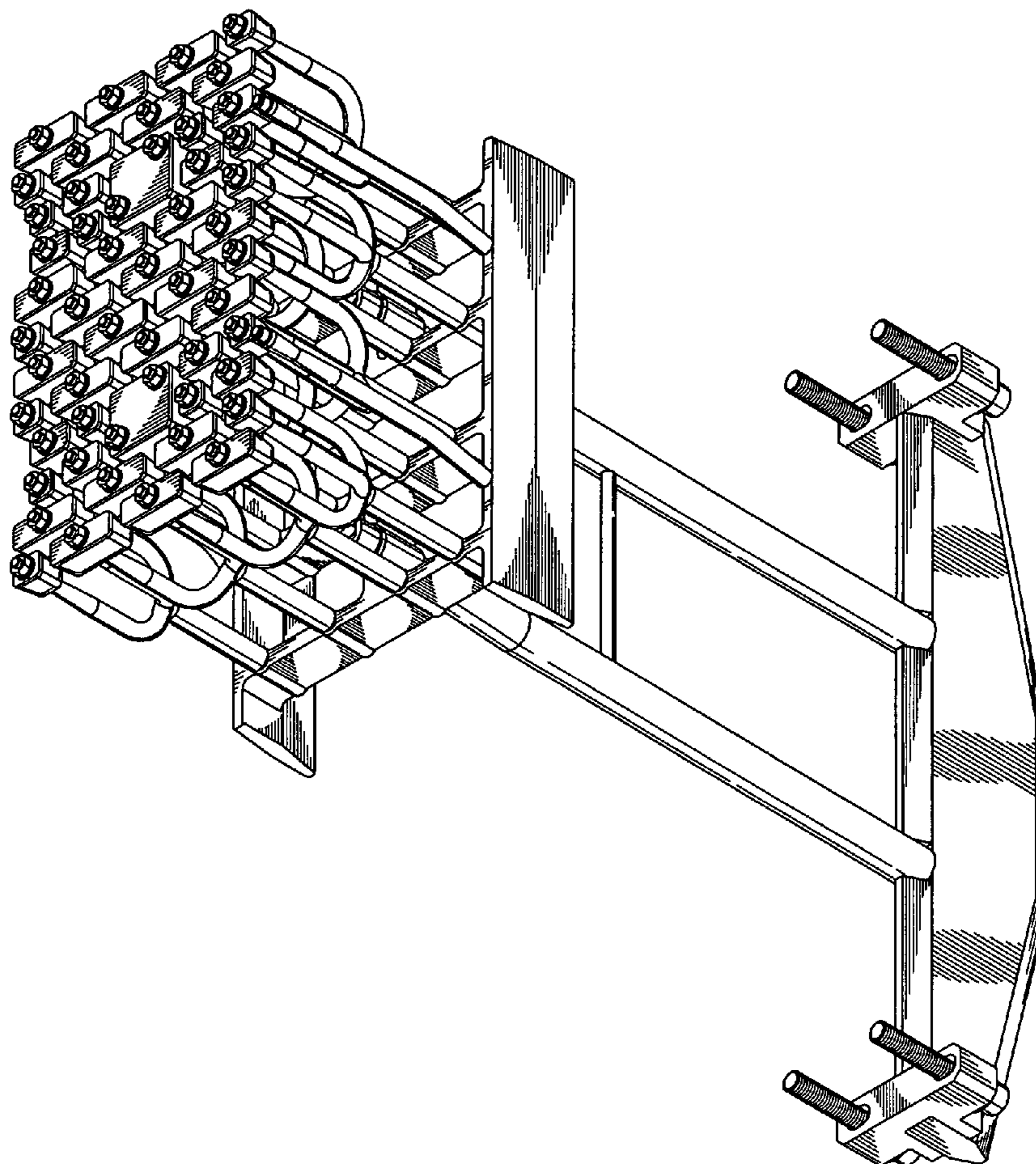
FIG. 4 is a front elevational view thereof;

FIG. 5 is a rear elevational view thereof;

FIG. 6 is a top plan view thereof; and,

FIG. 7 is a bottom plan view thereof.

1 Claim, 7 Drawing Sheets



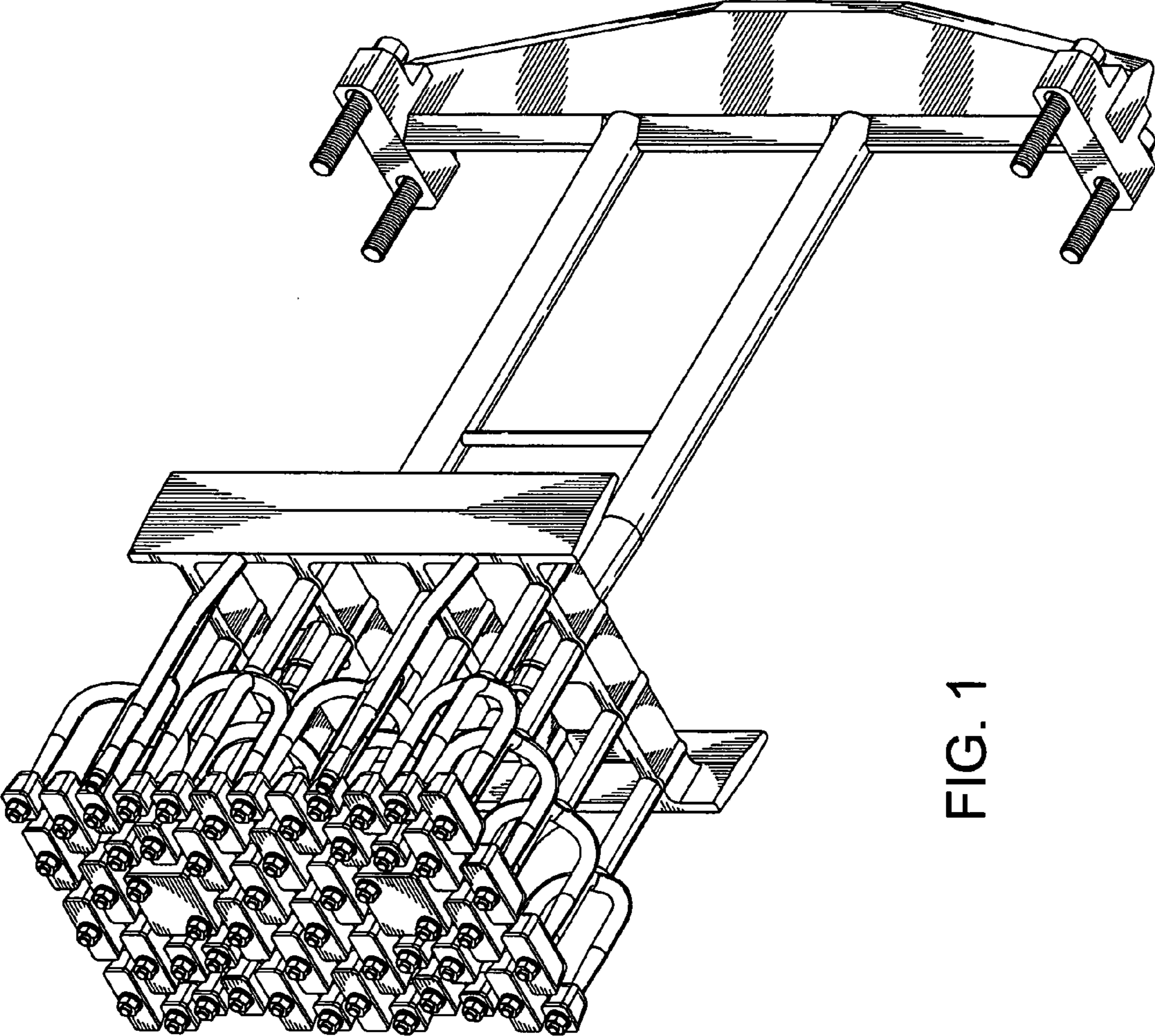


FIG. 1

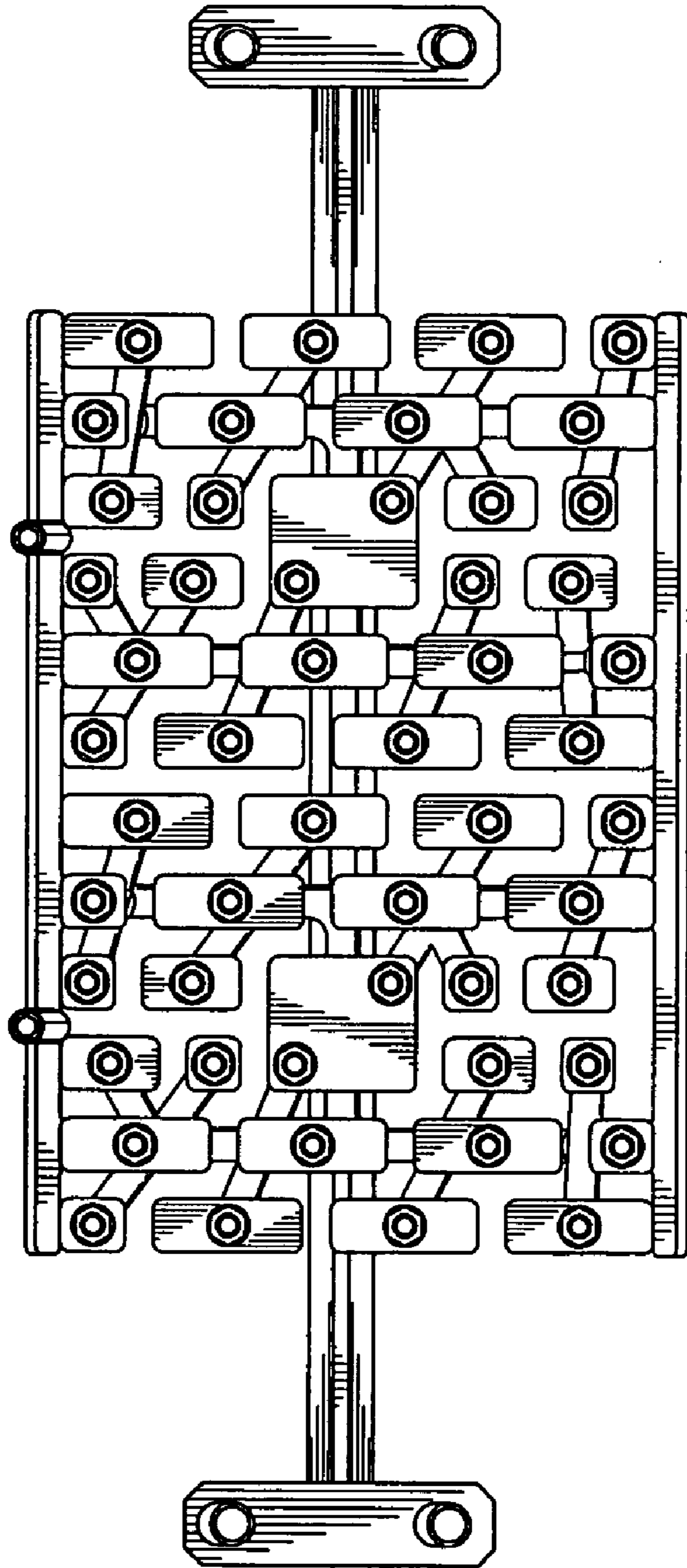


FIG. 2

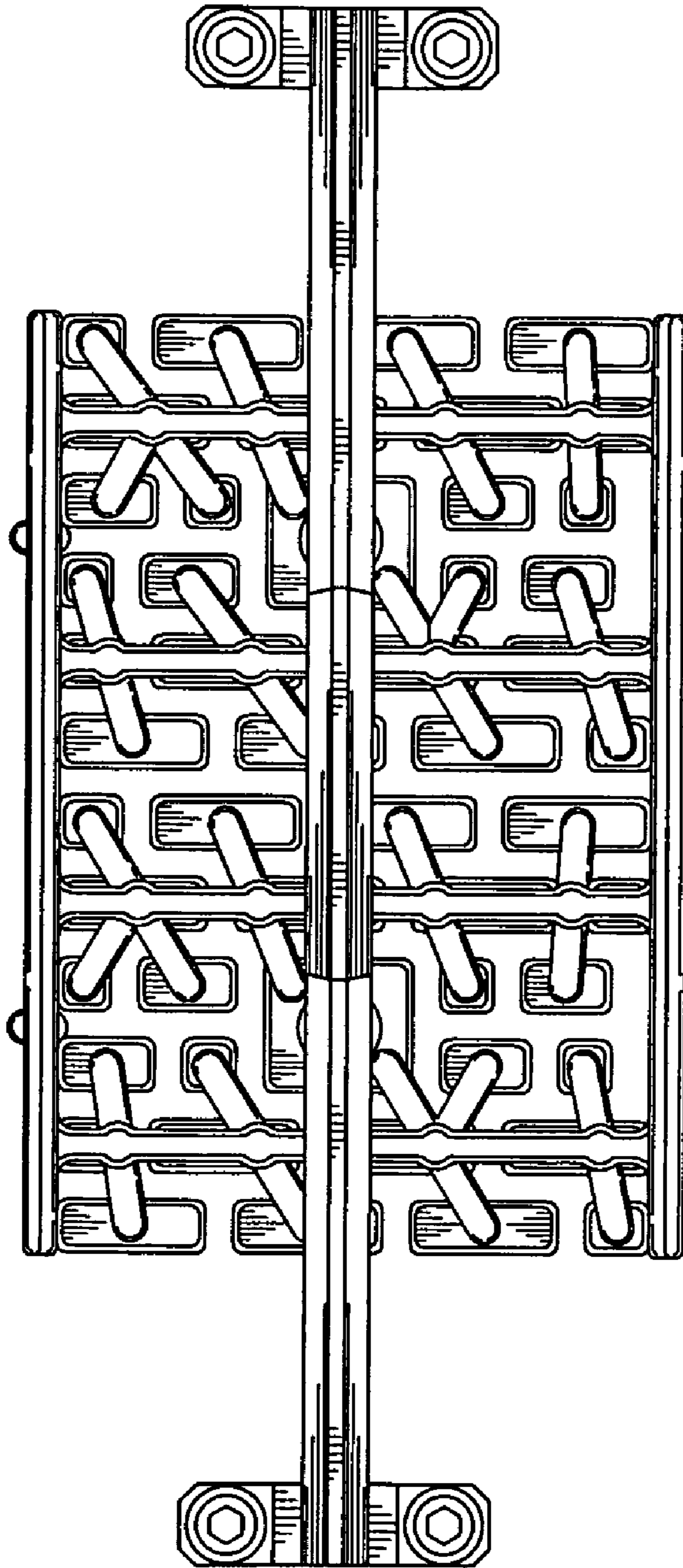


FIG. 3

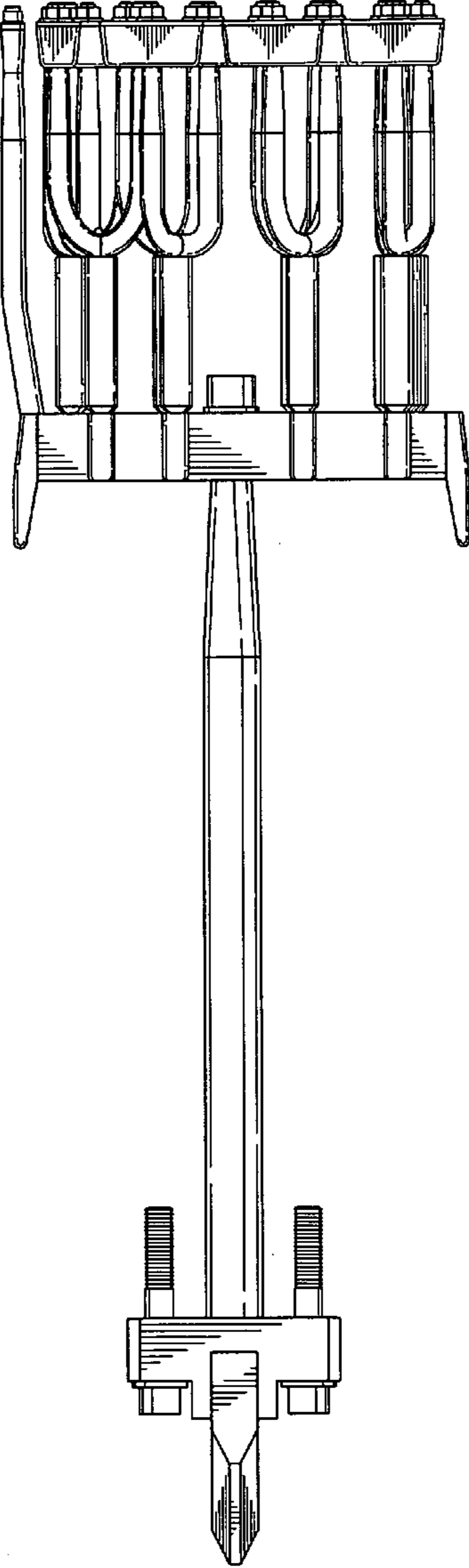


FIG. 4

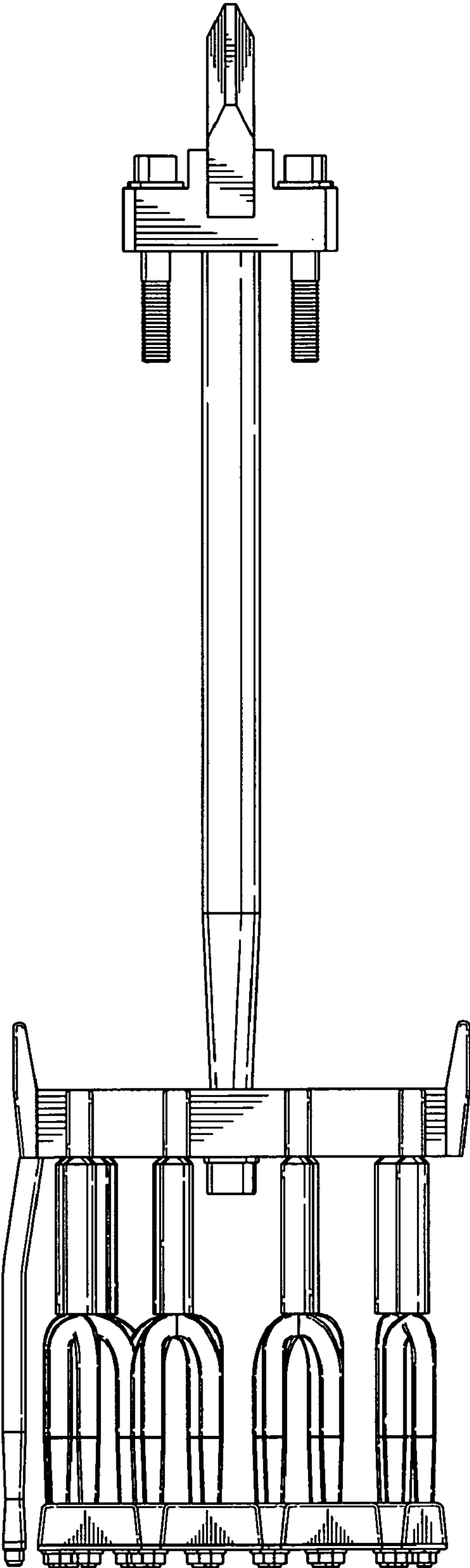


FIG. 5

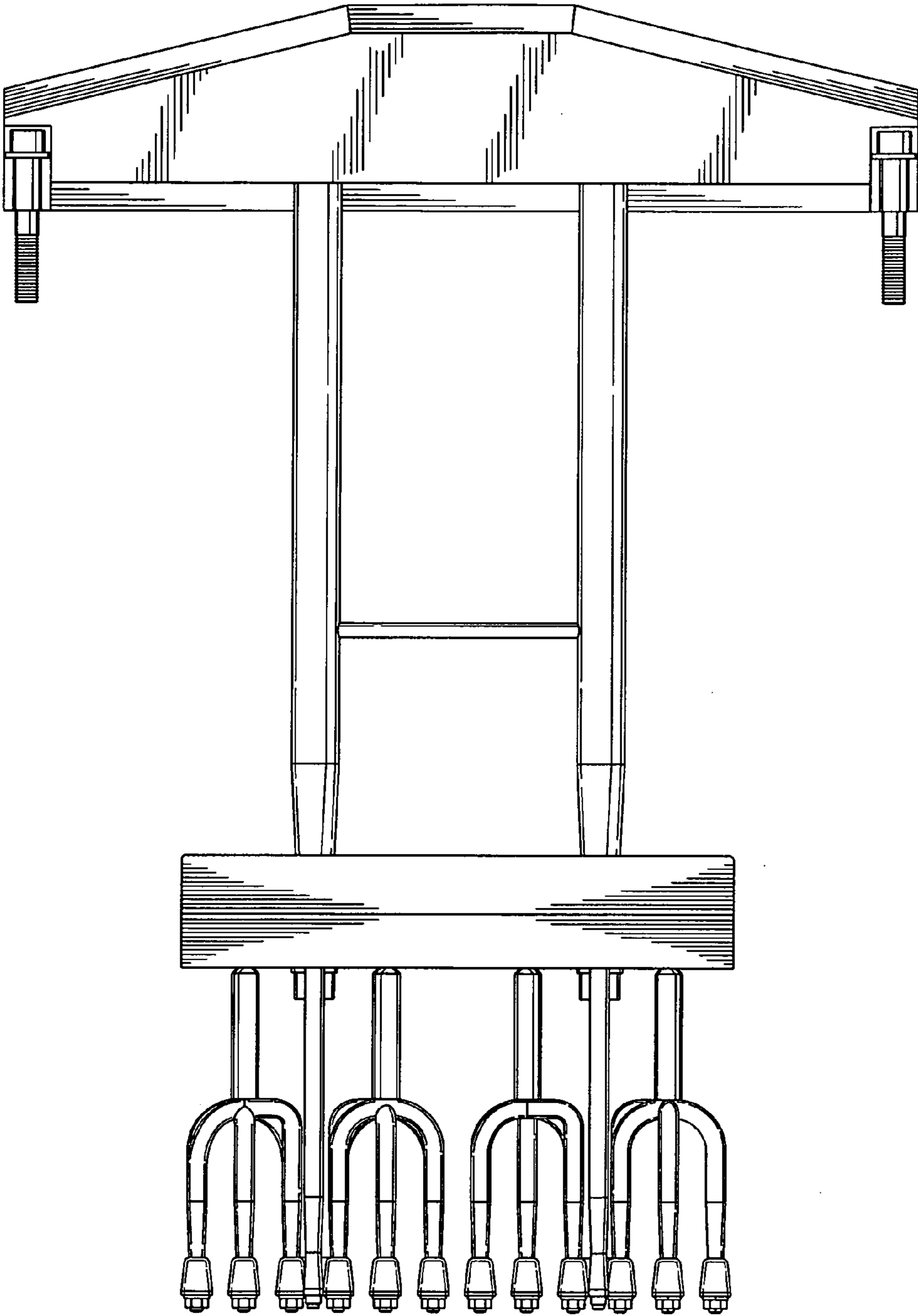


FIG. 6

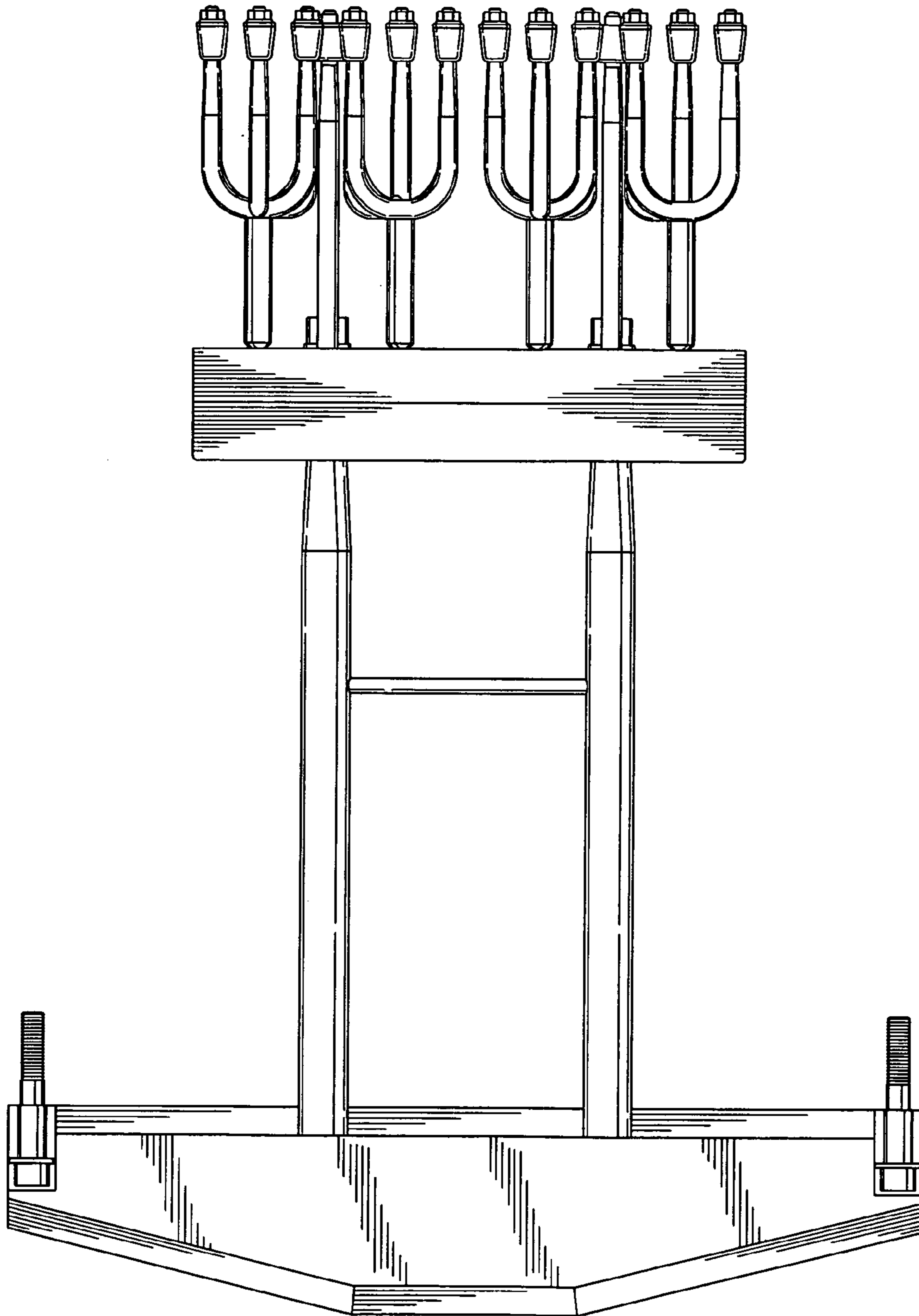


FIG. 7