

US00D621856S

(12) **United States Design Patent**
Bertoli et al.

(10) **Patent No.:** **US D621,856 S**

(45) **Date of Patent:** **** Aug. 17, 2010**

(54) **REFRIGERATING UNIT**

(75) Inventors: **Lukasz Bertoli**, Vienna (AT); **Christoph Pauschitz**, Vienna (AT)

(73) Assignee: **AHT Cooling Systems GmbH**, Rottenmann (AT)

(**) Term: **14 Years**

(21) Appl. No.: **29/292,757**

(22) Filed: **Oct. 25, 2007**

(30) **Foreign Application Priority Data**

Apr. 25, 2007 (EM) 000714118-0001

(51) **LOC (9) Cl.** **15-07**

(52) **U.S. Cl.** **D15/83**

(58) **Field of Classification Search** D15/79,
D15/81, 83, 84; 62/3.6, 3.63, 3.64, 246-257;
312/236, 400-408; D6/437, 470, 471, 473
See application file for complete search history.

(56) **References Cited**

U.S. PATENT DOCUMENTS

D439,913 S *	4/2001	Jobst	D15/84
D440,432 S *	4/2001	Topper et al.	D6/471
D477,617 S *	7/2003	Resch	D15/83
D483,045 S *	12/2003	Resch	D15/83
D521,028 S *	5/2006	Duffy et al.	D15/79
D524,330 S *	7/2006	Pedersen et al.	D15/81
D541,313 S *	4/2007	Resch	D15/83

D541,314 S *	4/2007	Resch	D15/83
D541,827 S *	5/2007	Resch	D15/83
D569,396 S *	5/2008	Bondorff et al.	D15/84
D589,539 S *	3/2009	Terada et al.	D15/81
D596,208 S *	7/2009	Cunnane	D15/83
D598,033 S *	8/2009	Liu et al.	D15/81

* cited by examiner

Primary Examiner—Shanda C Hill

(74) *Attorney, Agent, or Firm*—Fross Zelnick Lehrman & Zissu, P.C.; Charles T. J. Weigell, Esq.

(57) **CLAIM**

The ornamental design for a refrigerating unit, as shown and described.

DESCRIPTION

FIG. 1 is a perspective view of a refrigerating unit showing the new design;

FIG. 2 is a front view of the refrigerating unit shown in FIG. 1;

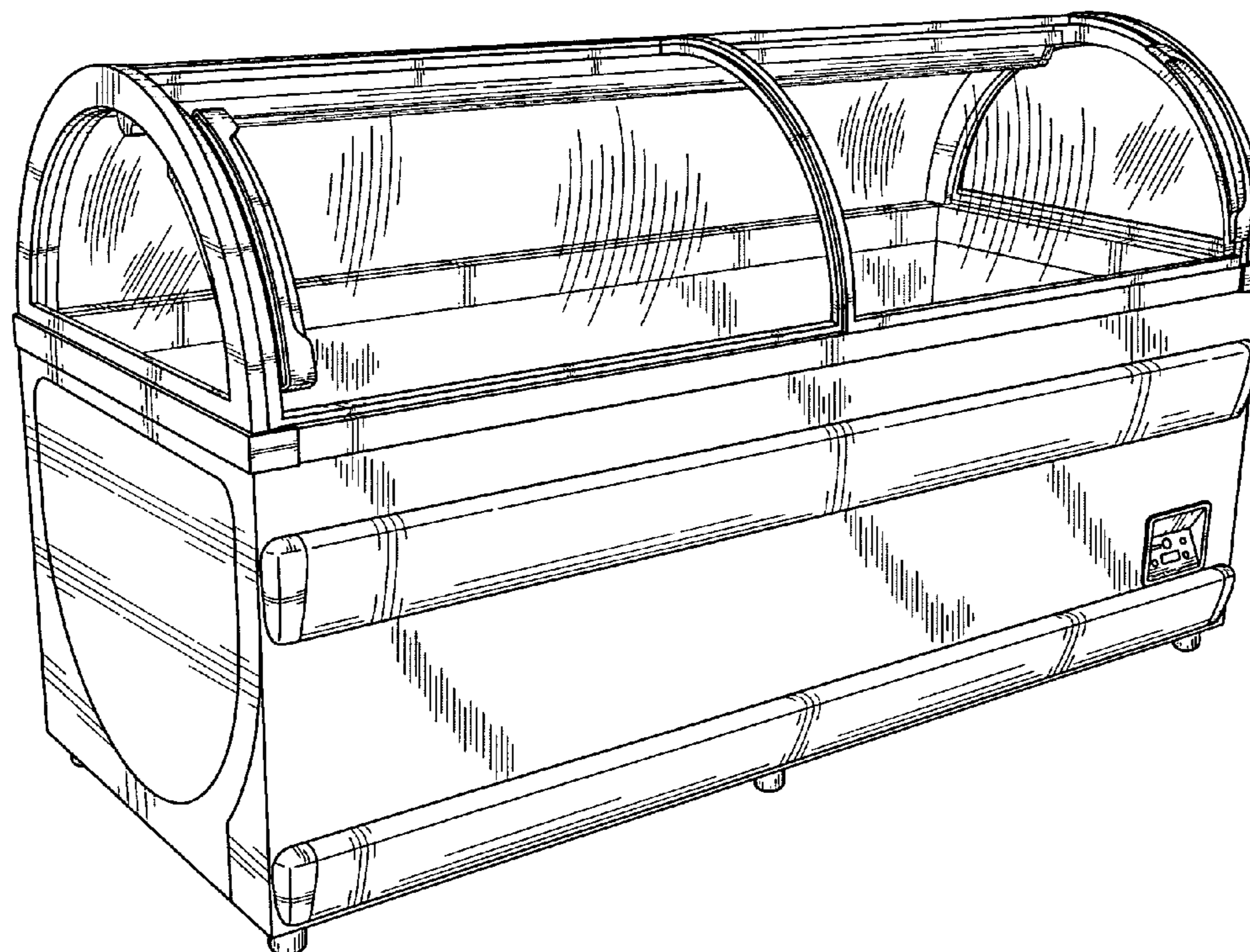
FIG. 3 is a rear view of the refrigerating unit shown in FIG. 1; FIG. 4 is a left side view of the refrigerating unit shown in FIG. 1;

FIG. 5 is a right side view of the refrigerating unit shown in FIG. 1; and,

FIG. 6 is a top view of the refrigerating unit shown in FIG. 1.

The broken line showing of the rear utility panel is for illustrative purposes only and forms no part of the claimed design.

1 Claim, 5 Drawing Sheets



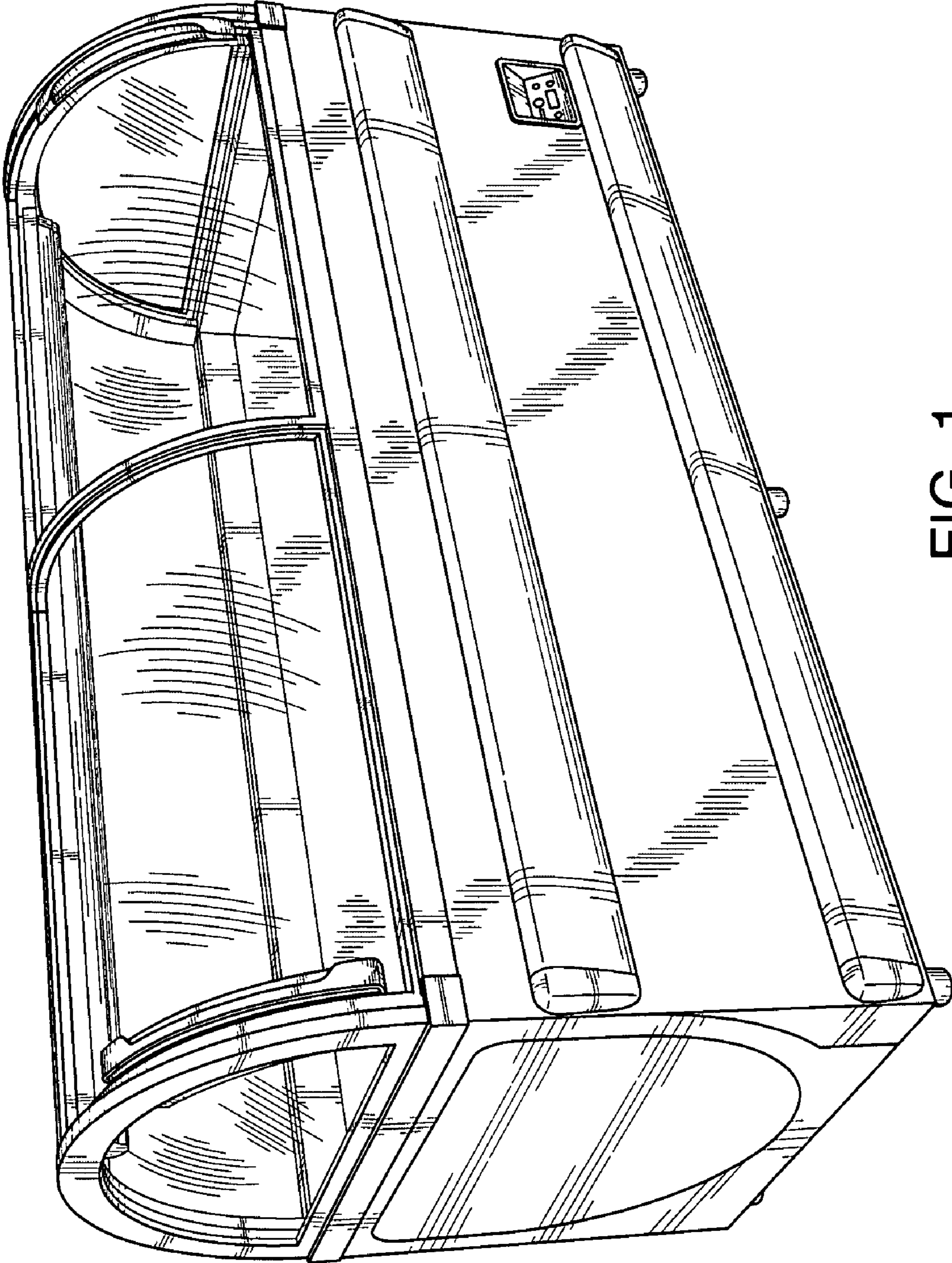


FIG. 1

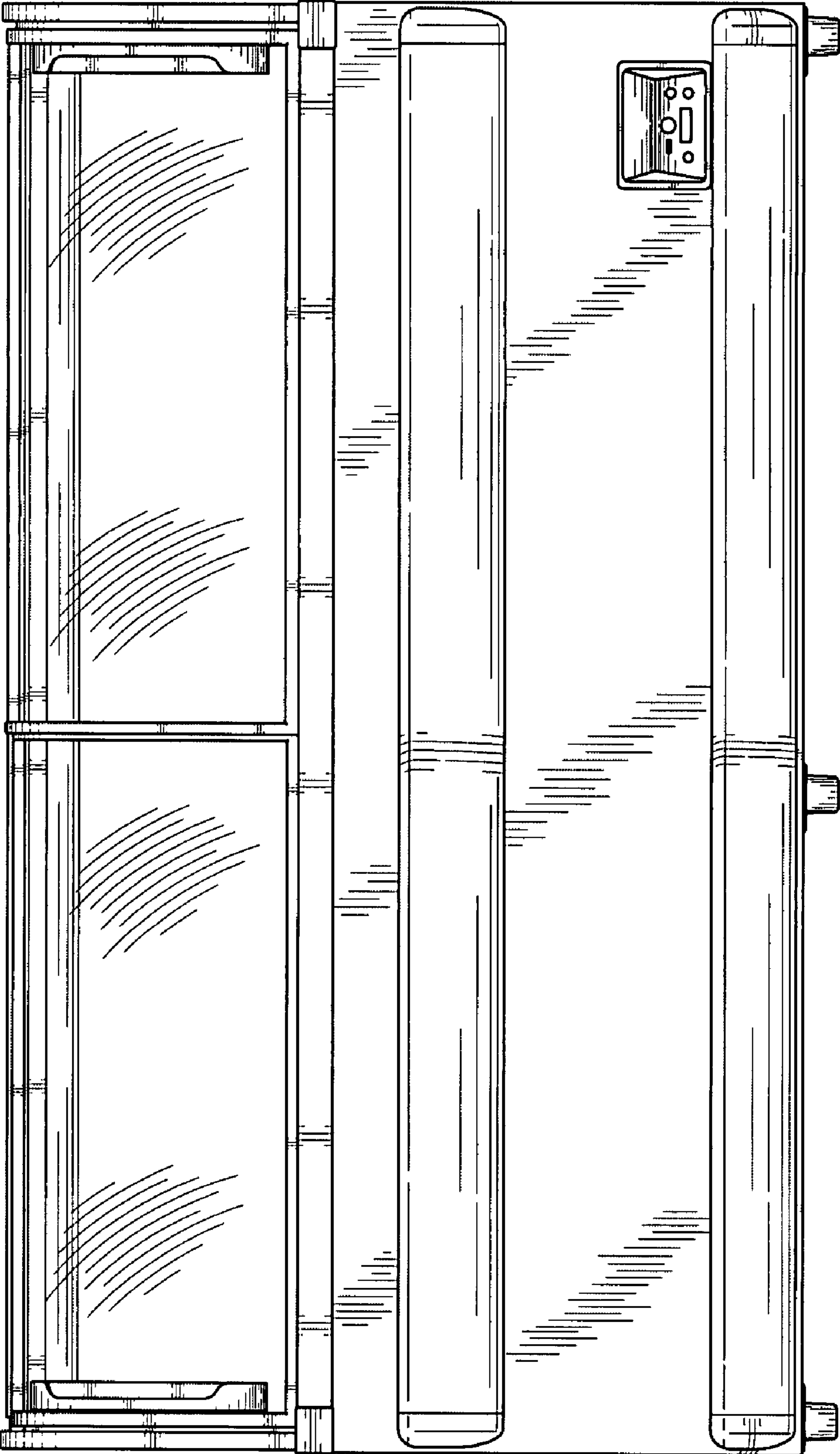


FIG. 2

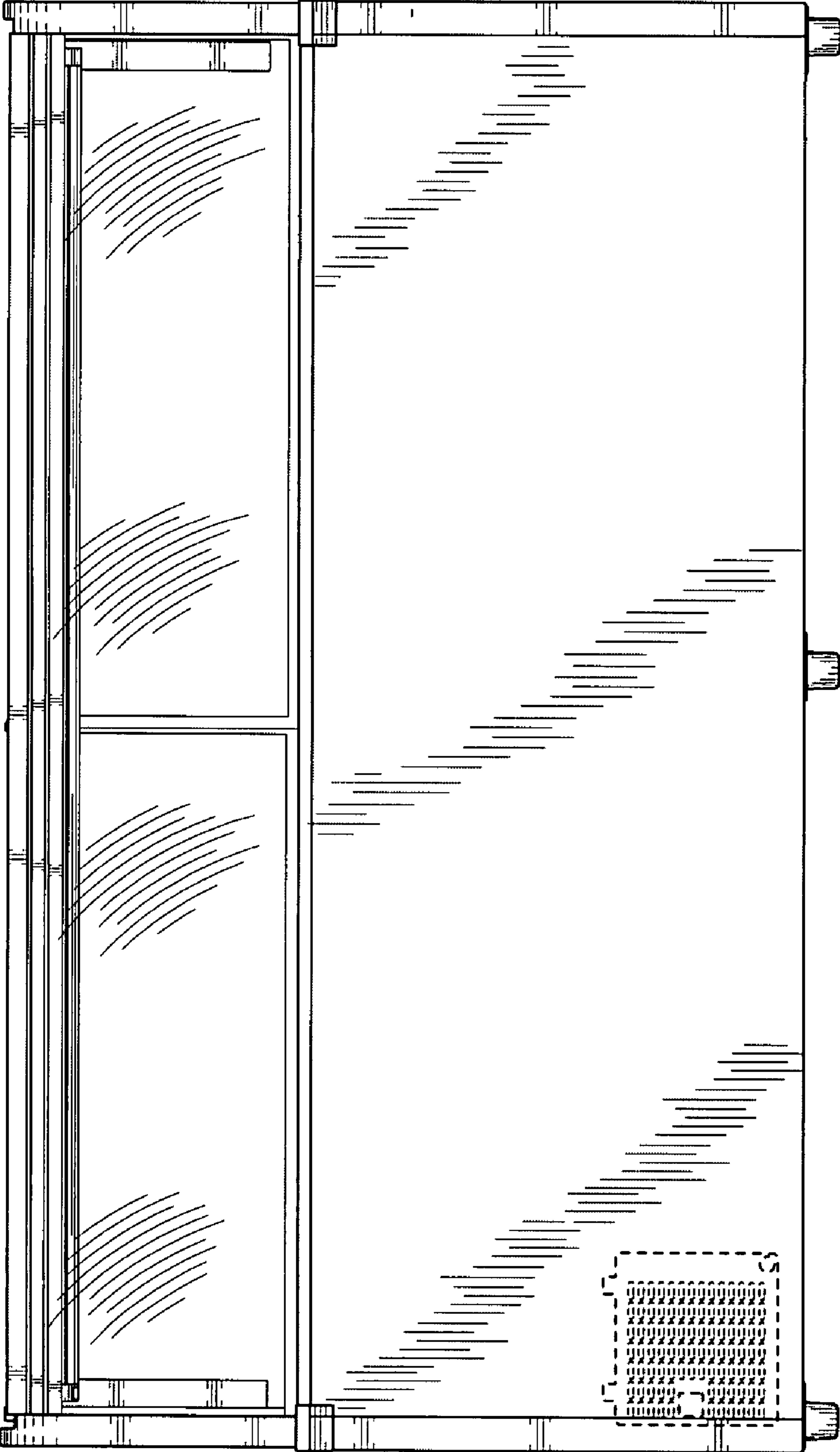


FIG. 3

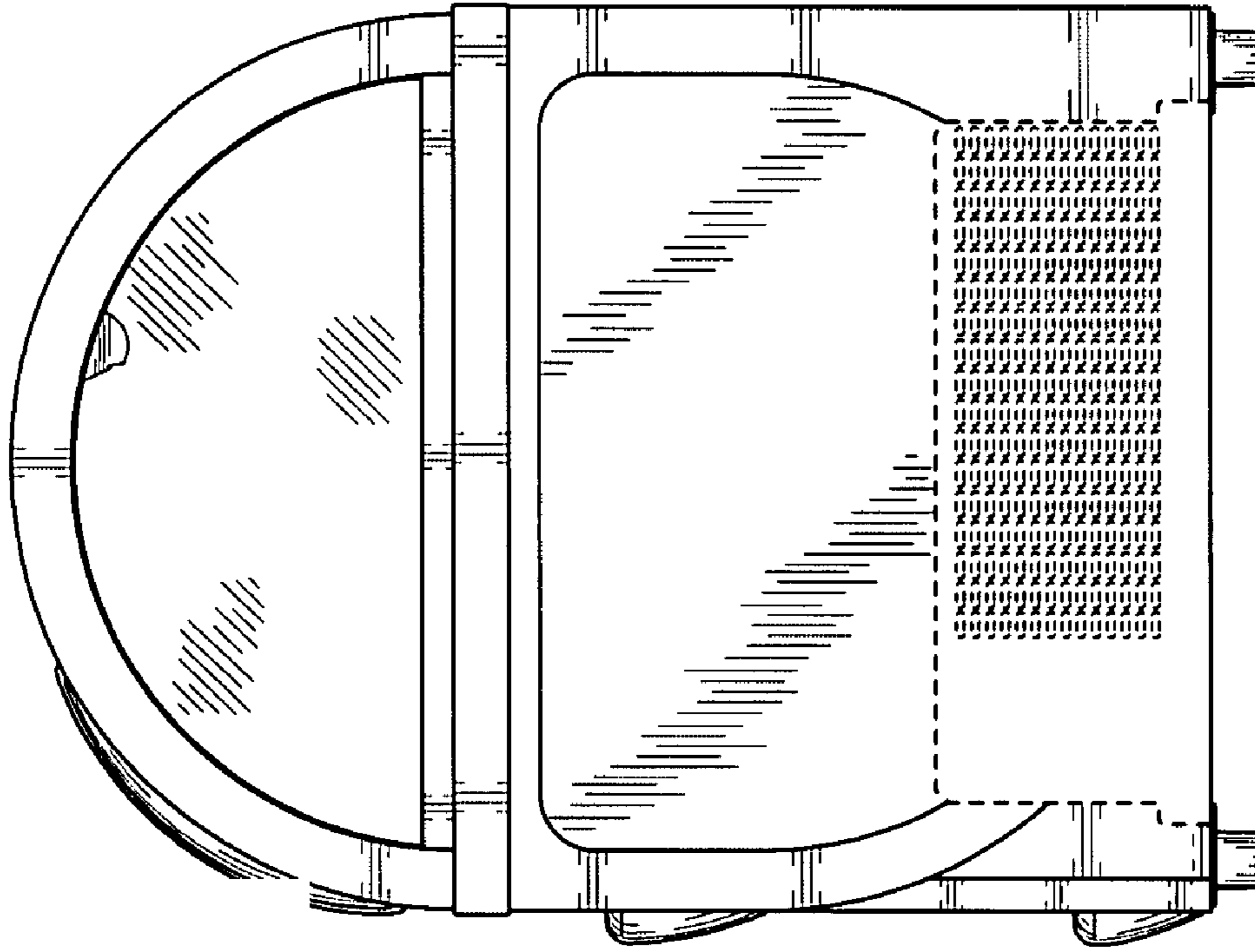


FIG. 5

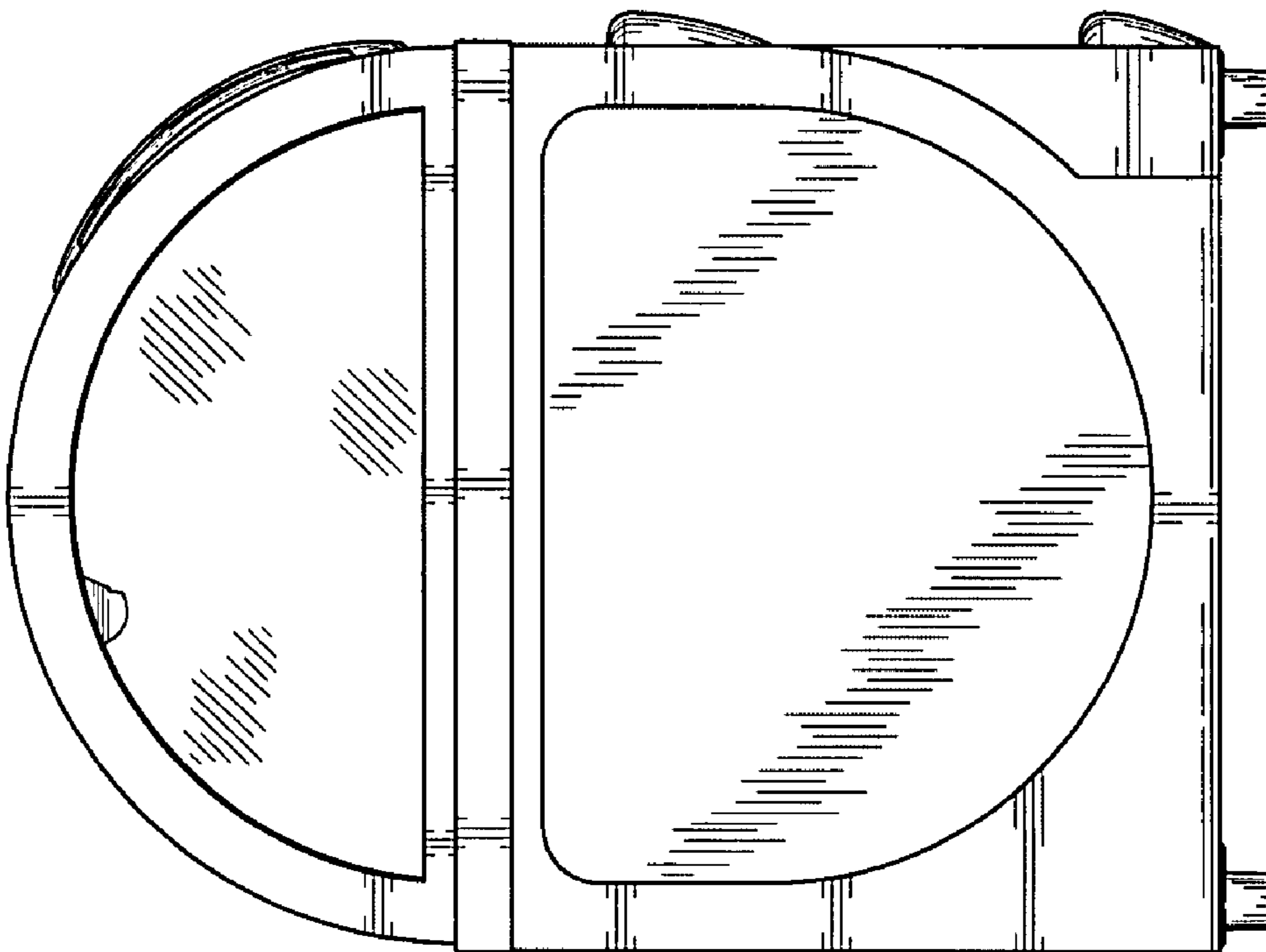


FIG. 4

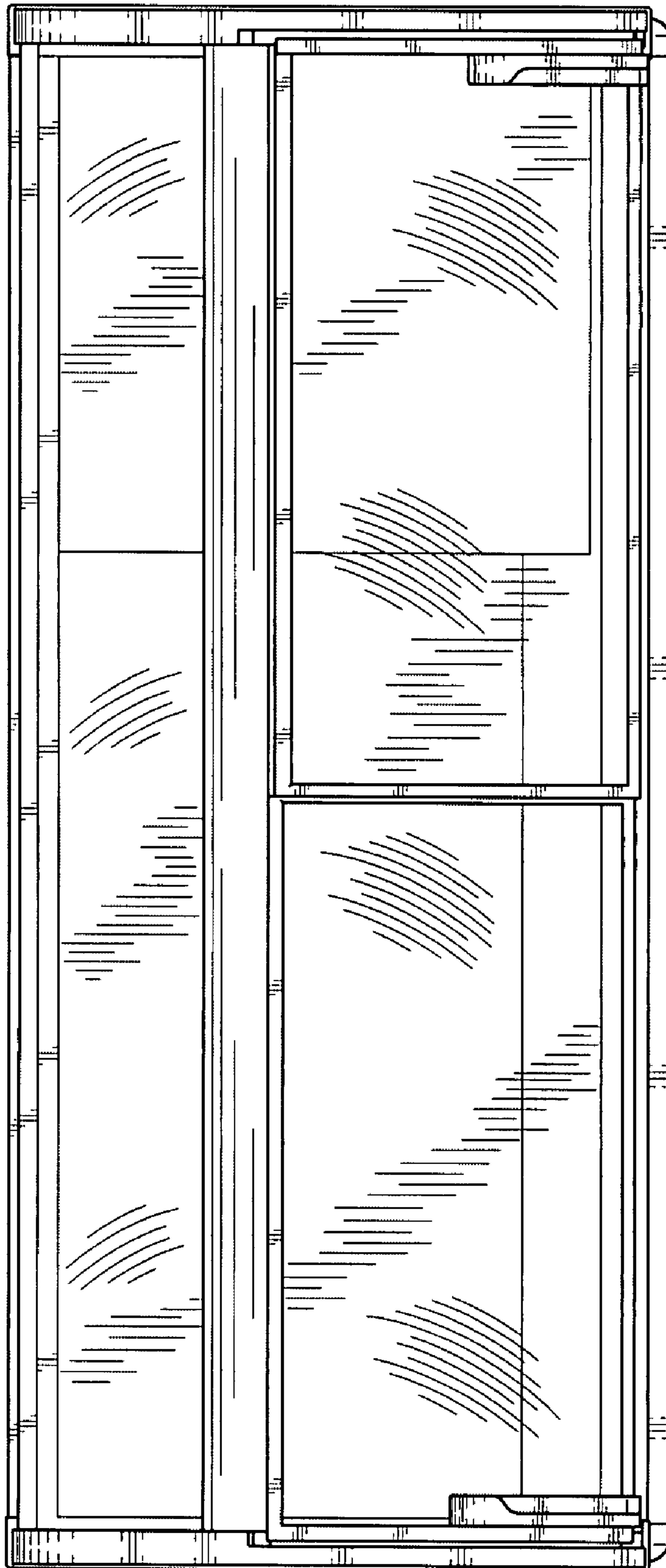


FIG. 6