



US00D621855S

(12) **United States Design Patent**
Davison, III et al.

(10) **Patent No.:** **US D621,855 S**

(45) **Date of Patent:** **** Aug. 17, 2010**

(54) **TRAVEL SEWING TOOL**

(75) Inventors: **George McConnell Davison, III**,
Pittsburgh, PA (US); **Peter Arthur**
Meier, Pittsburgh, PA (US); **Jason Reed**
Rogge, Belle Vernon, PA (US); **Colin**
Derek Curry, Pittsburgh, PA (US);
Casey Anne Tustin, Pittsburgh, PA (US)

(73) Assignee: **Prym Consumer USA Inc.**, Pittsburgh,
PA (US)

(**) Term: **14 Years**

(21) Appl. No.: **29/343,741**

(22) Filed: **Sep. 18, 2009**

(51) **LOC (9) Cl.** **15-06**

(52) **U.S. Cl.** **D15/78**

(58) **Field of Classification Search** D15/66,
D15/72, 77, 78; D3/18; D7/393; D8/47,
D8/99, 107; D30/161, 294; 112/1, 270,
112/285, 400

See application file for complete search history.

(56) **References Cited**

U.S. PATENT DOCUMENTS

D385,767 S 11/1997 Sorenson et al.
6,273,582 B1 8/2001 Taggart et al.
D474,670 S 5/2003 Rivera
6,622,329 B2 9/2003 Ostor et al.
6,763,543 B2 7/2004 Rivera
D497,094 S * 10/2004 Rivera et al. D8/107

D497,095 S * 10/2004 Rivera et al. D8/107
D497,791 S * 11/2004 Rivera et al. D8/107
D501,127 S * 1/2005 Rivera et al. D8/107
D530,180 S 10/2006 Klecker et al.
7,533,466 B2 5/2009 Steigerwalt
D596,911 S 7/2009 Carpenter et al.
7,607,231 B2 10/2009 Klecker et al.
2004/0088865 A1 * 5/2004 Onion 30/161

* cited by examiner

Primary Examiner—Shanda C Hill

(74) *Attorney, Agent, or Firm*—J. Bennett Mullinax LLC

(57) **CLAIM**

The ornamental design for a travel sewing tool, as shown and described.

DESCRIPTION

FIG. 1 is a perspective view of a travel sewing tool showing our new design;

FIG. 2 is a left side elevational view thereof;

FIG. 3 is a right side elevational view thereof;

FIG. 4 is a top plan view thereof;

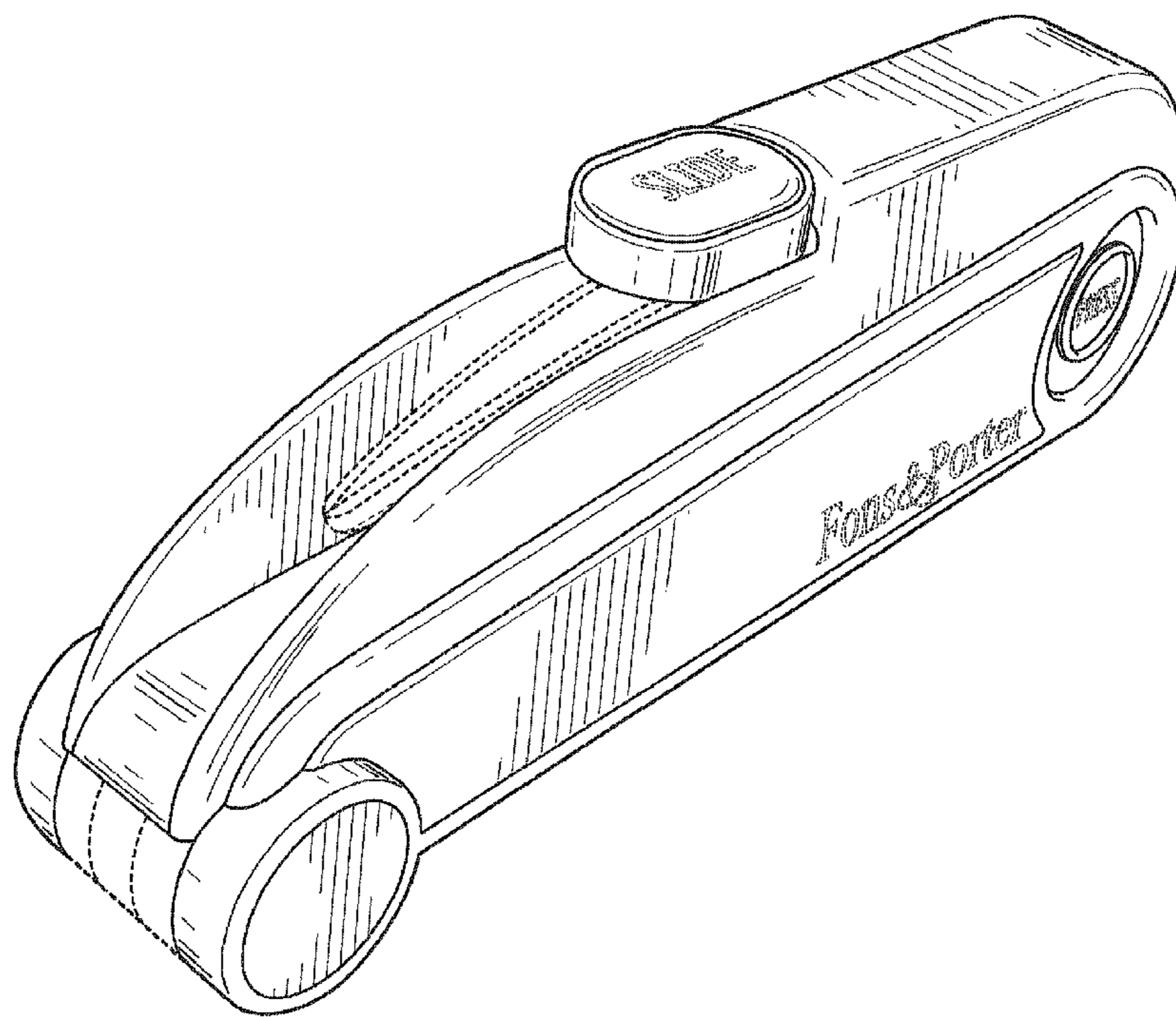
FIG. 5 is a bottom plan view thereof;

FIG. 6 is a front elevational view thereof; and,

FIG. 7 is a rear elevational view thereof.

The broken lines shown in the drawing disclosure are for illustrative purposes only and form no part of the claimed design.

1 Claim, 4 Drawing Sheets



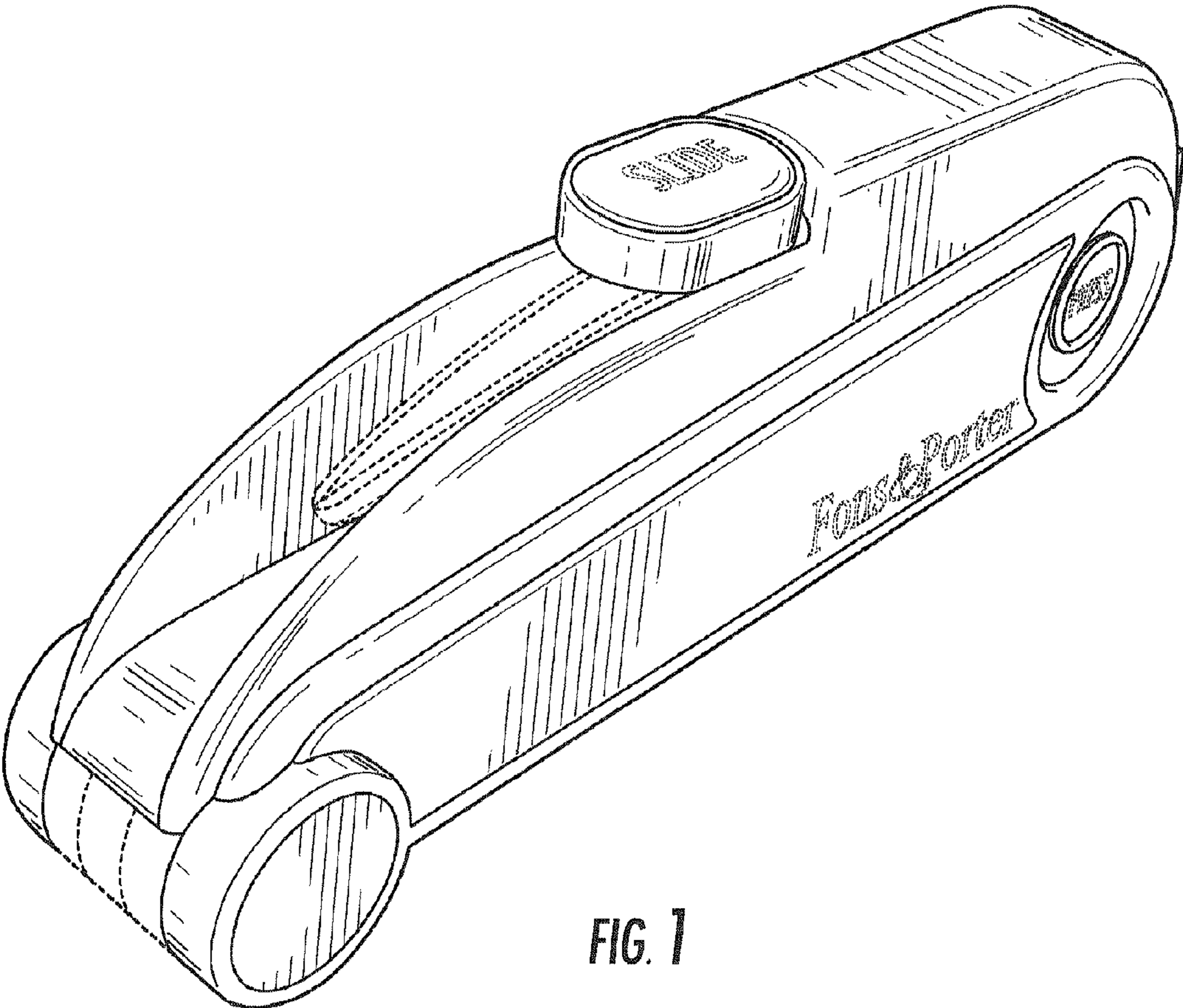


FIG. 1

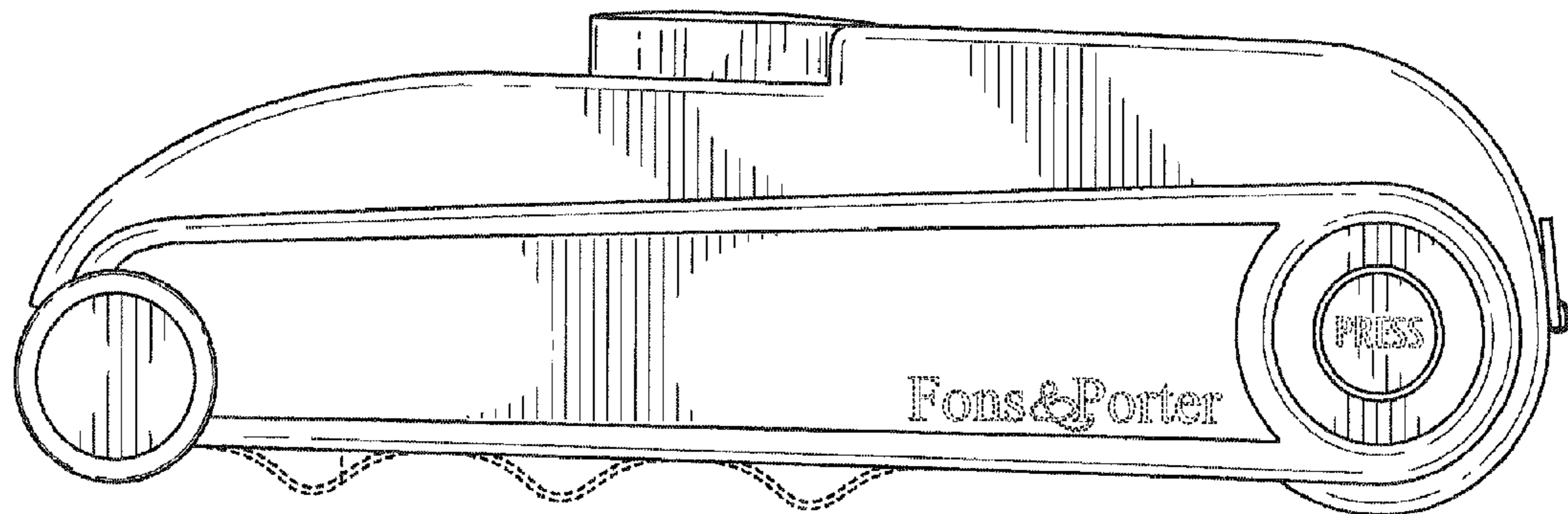


FIG. 2

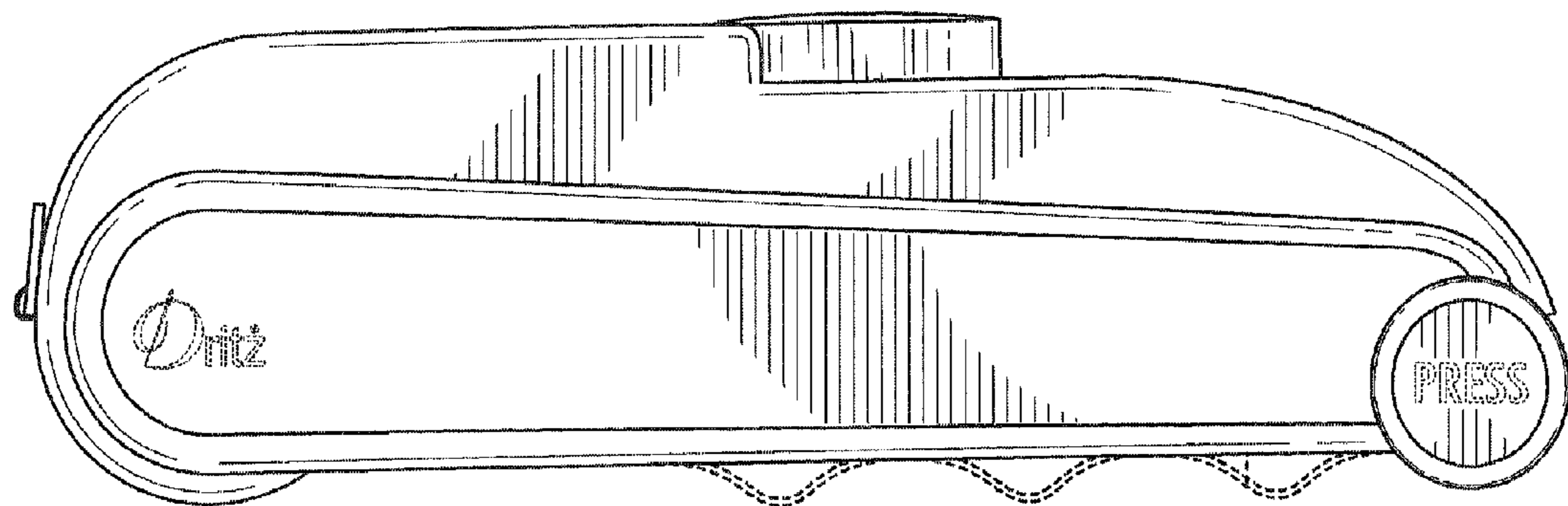


FIG. 3

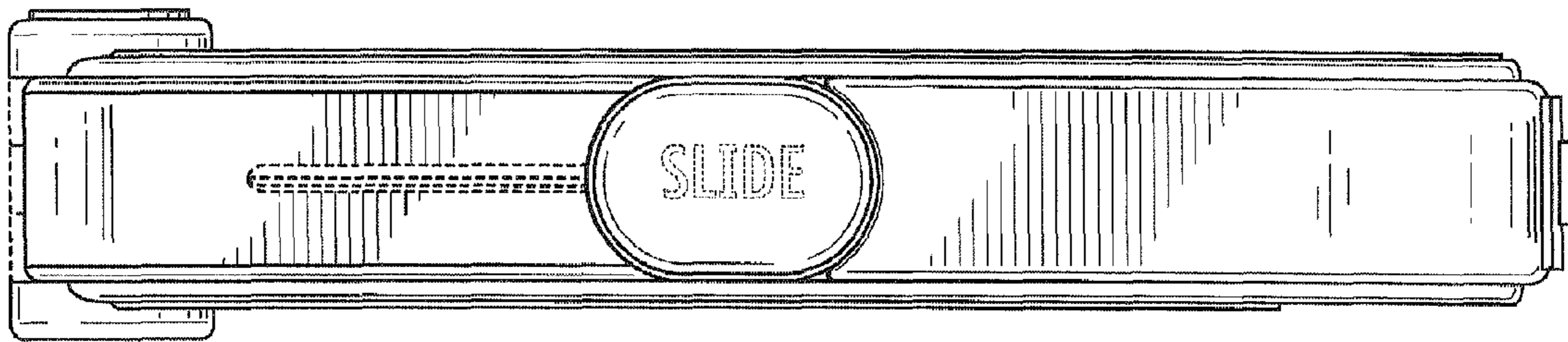


FIG. 4

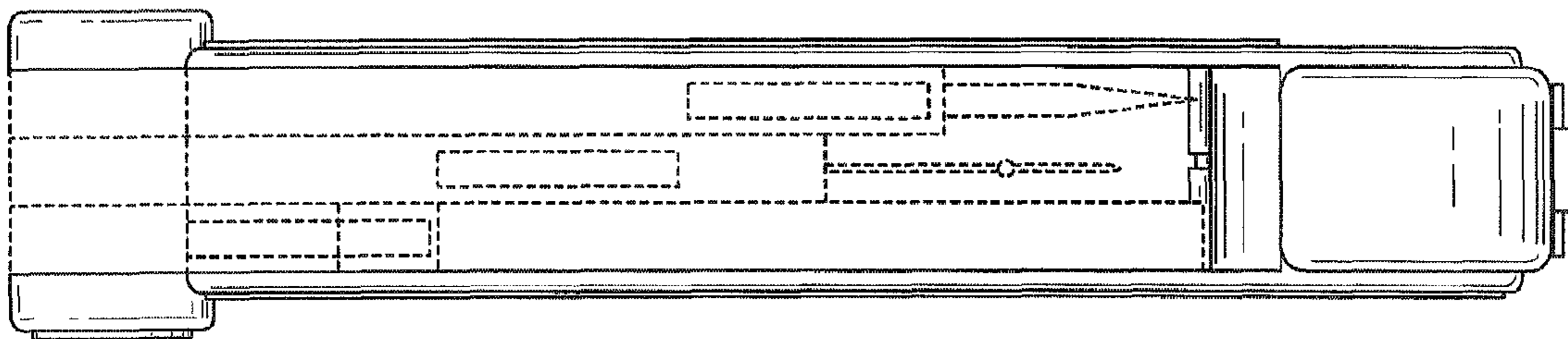


FIG. 5

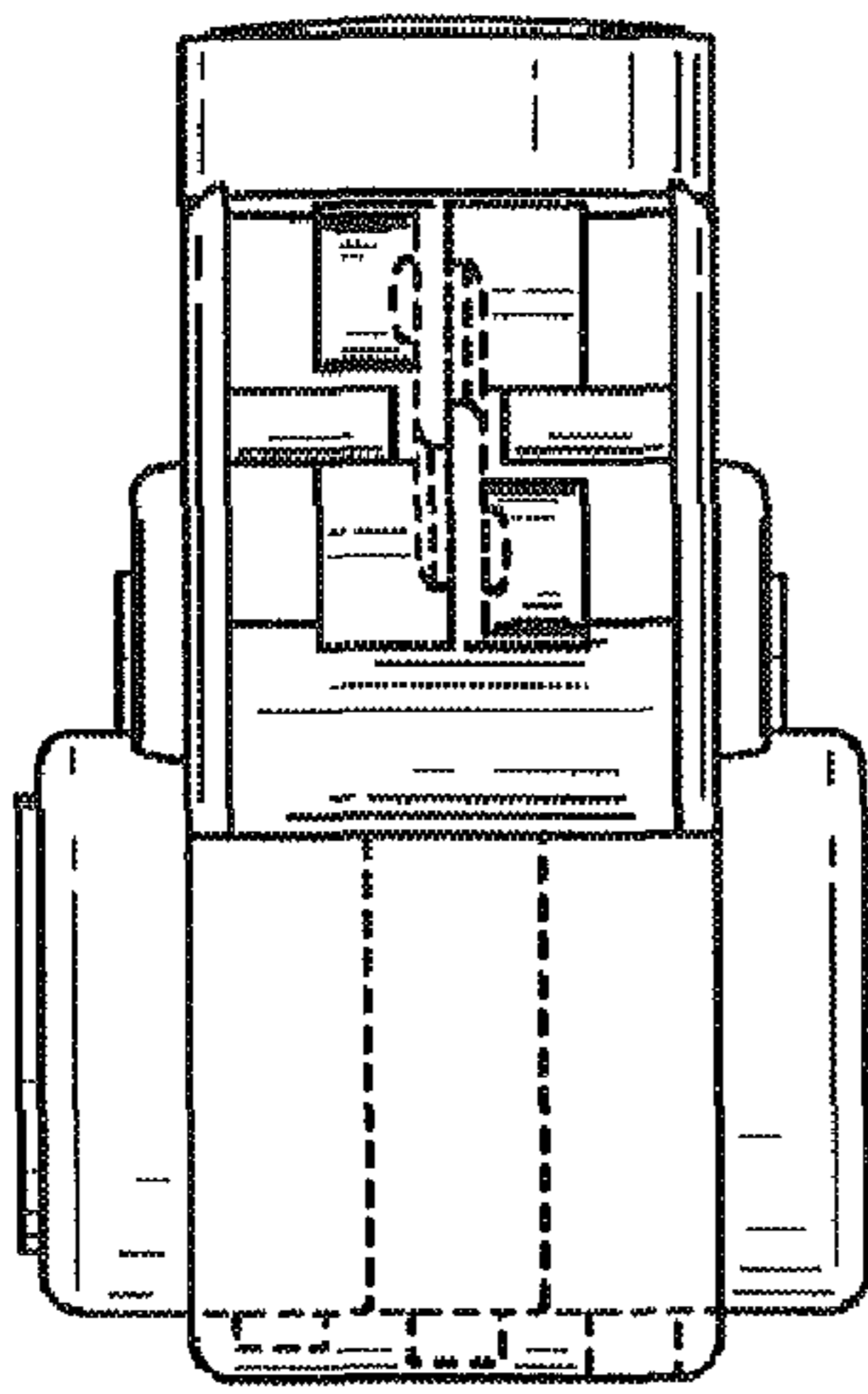


FIG. 6

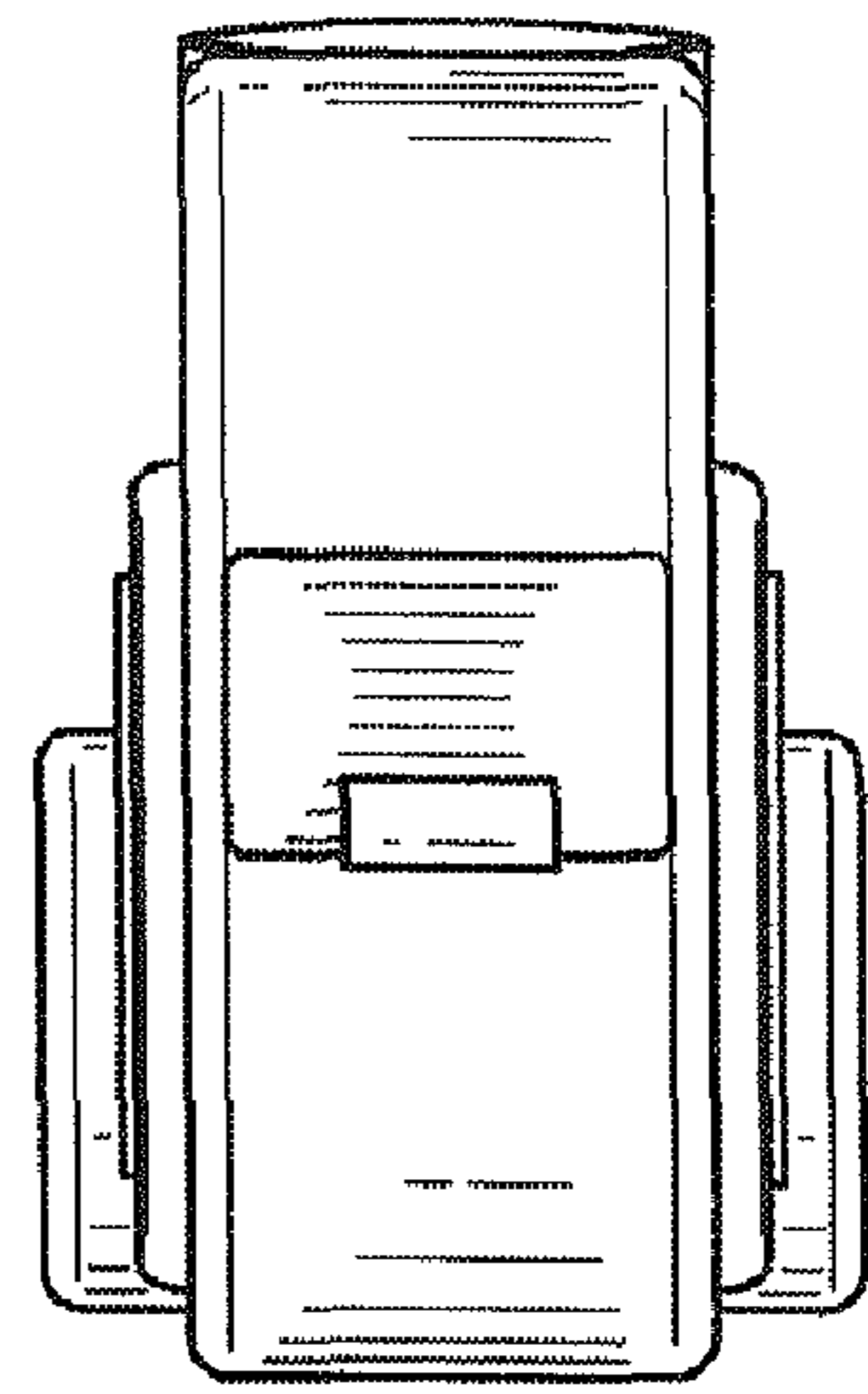


FIG. 7