



US00D621854S

(12) **United States Design Patent**
Mihashi et al.

(10) **Patent No.:** **US D621,854 S**
(45) **Date of Patent:** **** *Aug. 17, 2010**

(54) **FLUID PRESSURE CYLINDER**

(75) Inventors: **Koji Mihashi**, Kani (JP); **Takahiko Hara**, Kani (JP); **Yasuhito Takai**, Inuyama (JP)

(73) Assignee: **Kayaba Industry Co., Ltd.**, Tokyo (JP)

(*) Notice: This patent is subject to a terminal disclaimer.

(**) Term: **14 Years**

(21) Appl. No.: **29/325,012**

(22) Filed: **Sep. 24, 2008**

(30) **Foreign Application Priority Data**

Mar. 27, 2008 (JP) 2008-007721

(51) **LOC (9) Cl.** **15-03**

(52) **U.S. Cl.** **D15/28; D15/143**

(58) **Field of Classification Search** D15/28, D15/138, 143; D12/159; D10/83, 85; D8/499; D23/233; D34/35; 92/169.1, 170.1, 164, 92/165 R; 212/238, 261; 187/344, 345; 248/654, 646, 647

See application file for complete search history.

(56) **References Cited**

U.S. PATENT DOCUMENTS

- D16,571 S * 3/1886 Kenna D8/354
- D136,795 S * 12/1943 Lear D12/345
- 2,826,467 A * 3/1958 Ballard 92/164
- D184,544 S * 3/1959 Von Pessler D15/138
- 2,953,119 A * 9/1960 Geyer 92/108
- D194,362 S * 1/1963 Prince D15/28
- D216,825 S * 3/1970 Hunnicutt et al. D15/138
- 3,543,643 A * 12/1970 Southwell 91/401
- 3,630,120 A * 12/1971 Carlson et al. 91/511
- 3,685,398 A * 8/1972 Little 92/165 R
- D230,723 S * 3/1974 Cowan D12/159
- D262,959 S * 2/1982 Cowan D12/159

- 4,357,858 A * 11/1982 Wedman 92/128
- D272,315 S * 1/1984 Valo D8/499
- D288,208 S * 2/1987 Hawkins D15/138
- 4,658,970 A * 4/1987 Oliphant 212/294
- 4,671,169 A * 6/1987 Hillier 92/59
- 4,697,499 A * 10/1987 Dirkin et al. 92/151

(Continued)

Primary Examiner—Mark A Goodwin

(74) *Attorney, Agent, or Firm*—Hiroe & Associates; Taras P. Bemko

(57) **CLAIM**

The ornamental design for a fluid pressure cylinder, as shown and described.

DESCRIPTION

FIG. 1 is a front view of a fluid pressure cylinder showing our new design;

FIG. 2 is a rear view of the fluid pressure cylinder;

FIG. 3 is a top view of the fluid pressure cylinder;

FIG. 4 is a bottom view of the fluid pressure cylinder;

FIG. 5 is a right side view of the fluid pressure cylinder;

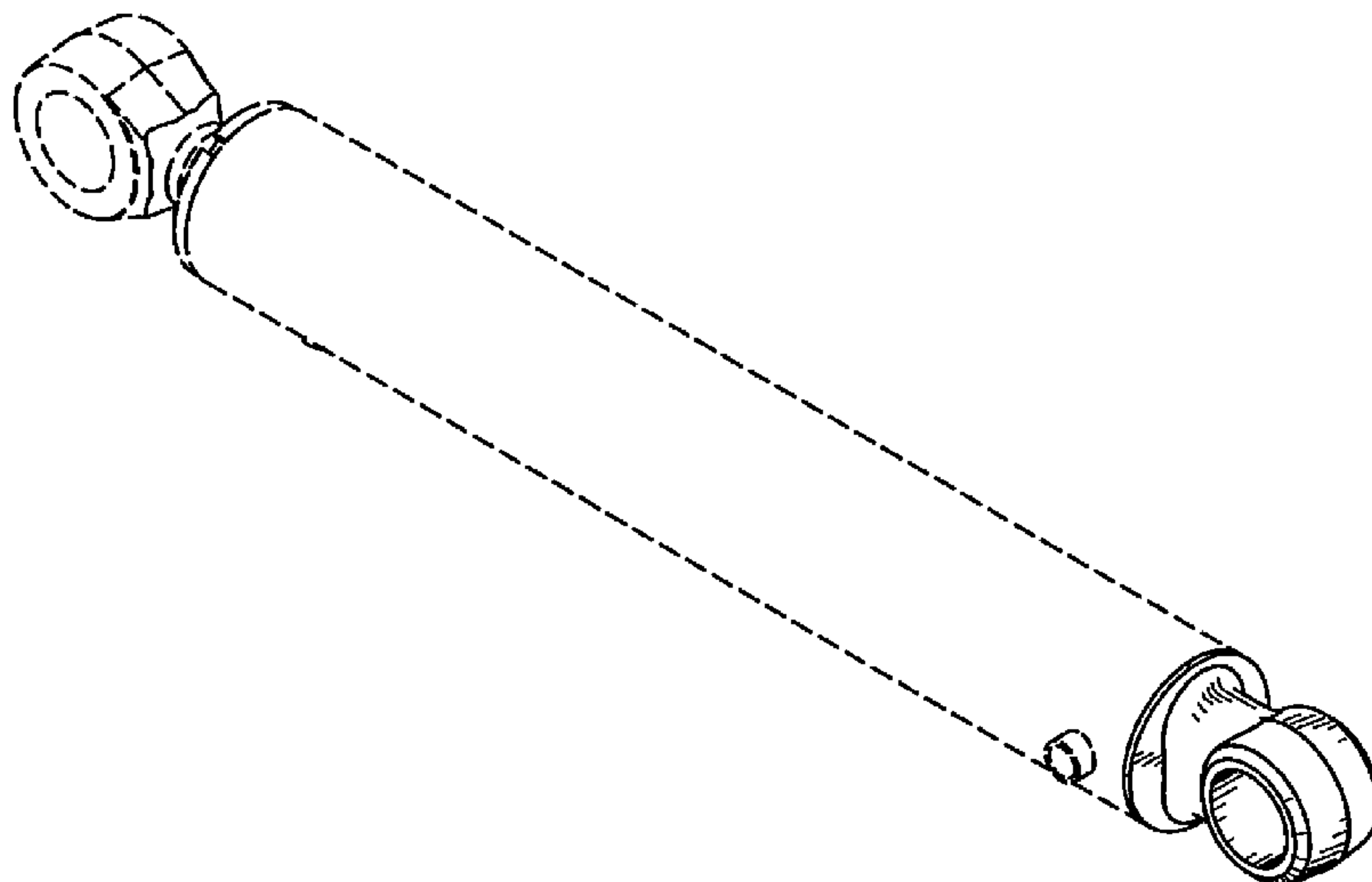
FIG. 6 is a left side view of the fluid pressure cylinder;

FIG. 7 is an enlarged cross-sectional view of the fluid pressure cylinder taken along line 7—7 of FIG. 1; and,

FIG. 8 is a perspective view of the fluid pressure cylinder.

The broken lines in the drawing are for the purpose of illustrating portions of the fluid pressure cylinder that form no part of the claimed design.

1 Claim, 4 Drawing Sheets



US D621,854 S

Page 2

U.S. PATENT DOCUMENTS

4,941,323	A *	7/1990	Leigh-Monstevens	60/589	D522,090	S *	5/2006	Matsumoto et al.	D23/233
5,014,601	A *	5/1991	Sundholm	92/109	D542,682	S *	5/2007	Waki	D10/85
5,014,603	A *	5/1991	Navarette et al.	92/165 R	7,240,607	B2 *	7/2007	Fish	92/169.1
5,165,324	A *	11/1992	Maruoka	92/171.1	D553,545	S *	10/2007	Nygren et al.	D12/159
D357,951	S *	5/1995	Chen	D21/694	D563,287	S *	3/2008	Falter et al.	D12/159
D399,462	S *	10/1998	Toffolo et al.	D12/159	D566,630	S *	4/2008	Ortiz	D12/159
D434,707	S *	12/2000	Bauer	D12/159	7,350,453	B1 *	4/2008	Bailey et al.	92/128
D456,827	S *	5/2002	Butts	D15/143	2003/0116012	A1 *	6/2003	Mickelson	92/164
6,805,039	B2 *	10/2004	Kau	92/169.1	2004/0094033	A1 *	5/2004	Kau	92/169.1
D500,258	S *	12/2004	Kita et al.	D10/85	2005/0263001	A1 *	12/2005	Alrefai	92/164
D500,259	S *	12/2004	Kita et al.	D10/85	2007/0012174	A1 *	1/2007	Fish	92/170.1

* cited by examiner

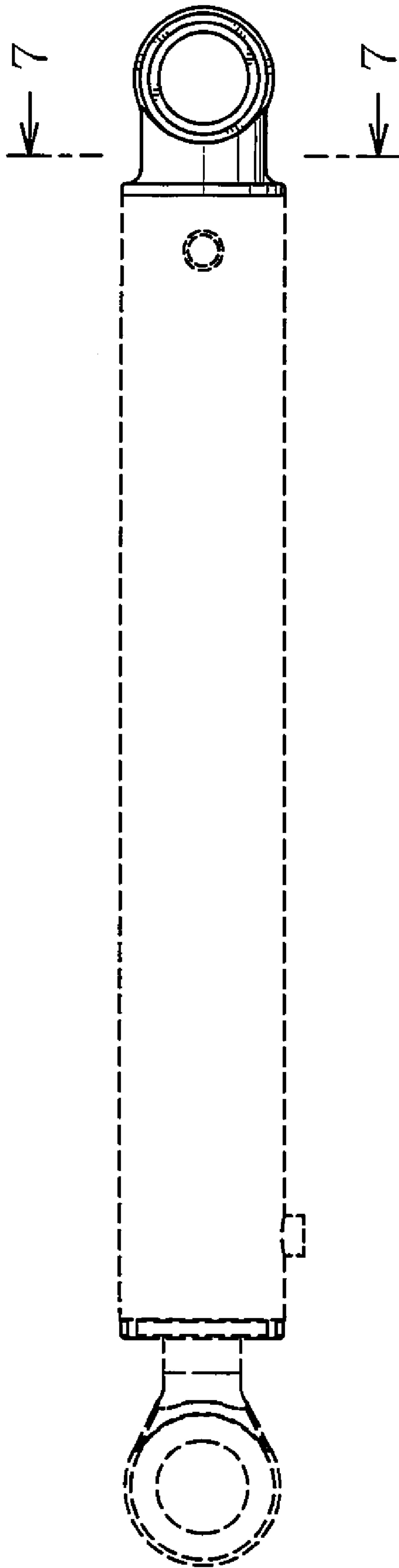


Fig. 1

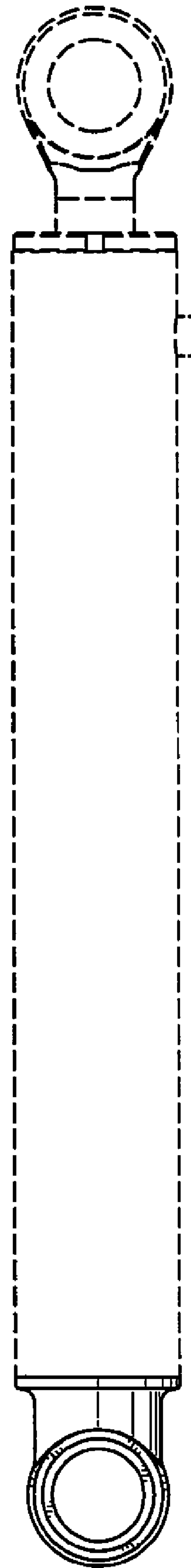


Fig. 2

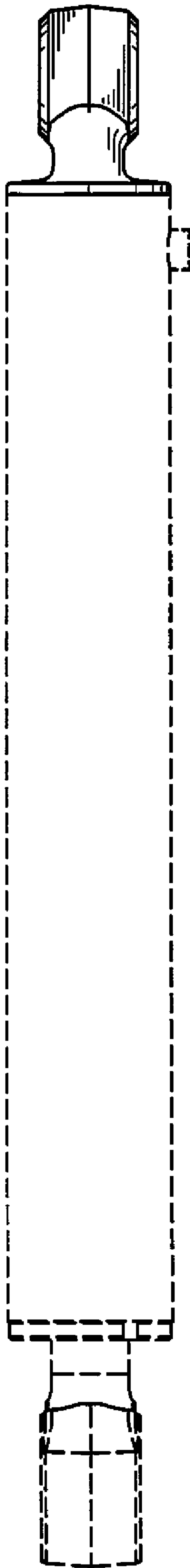


Fig. 3

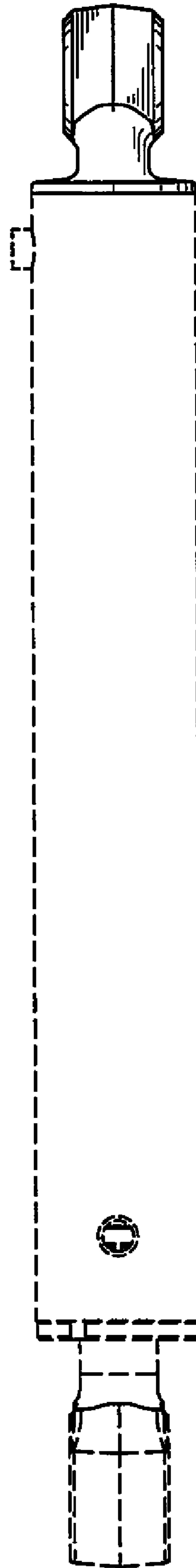


Fig. 4

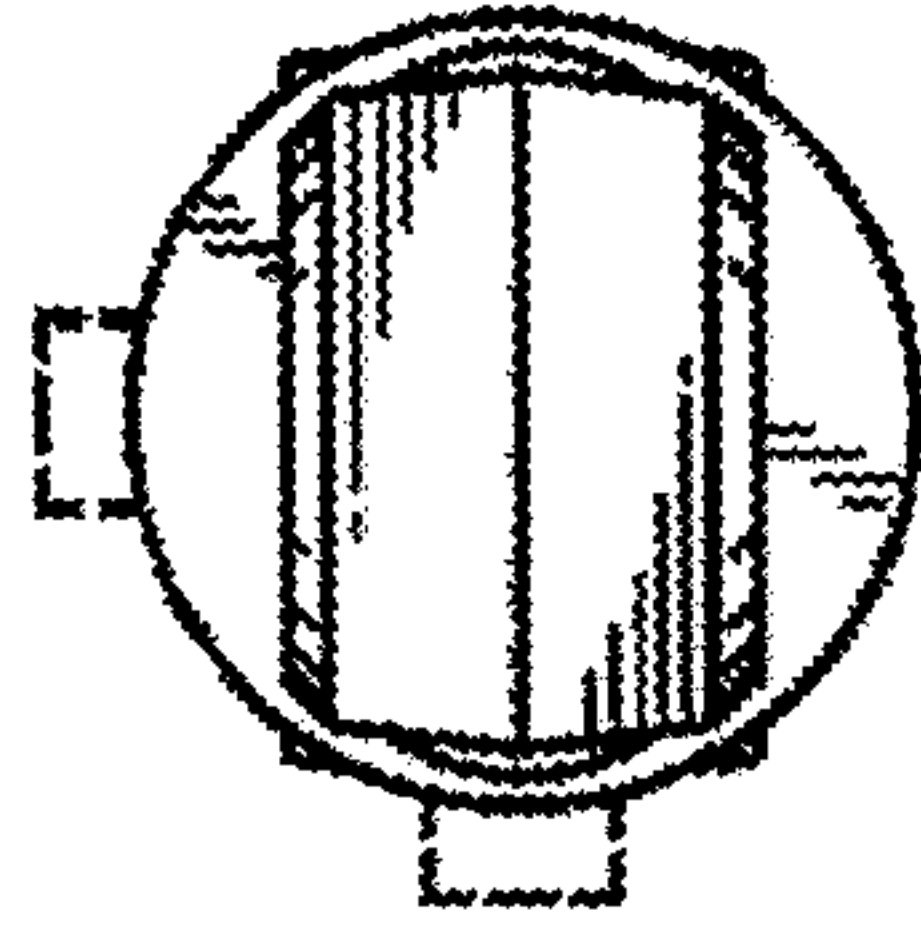


Fig. 5

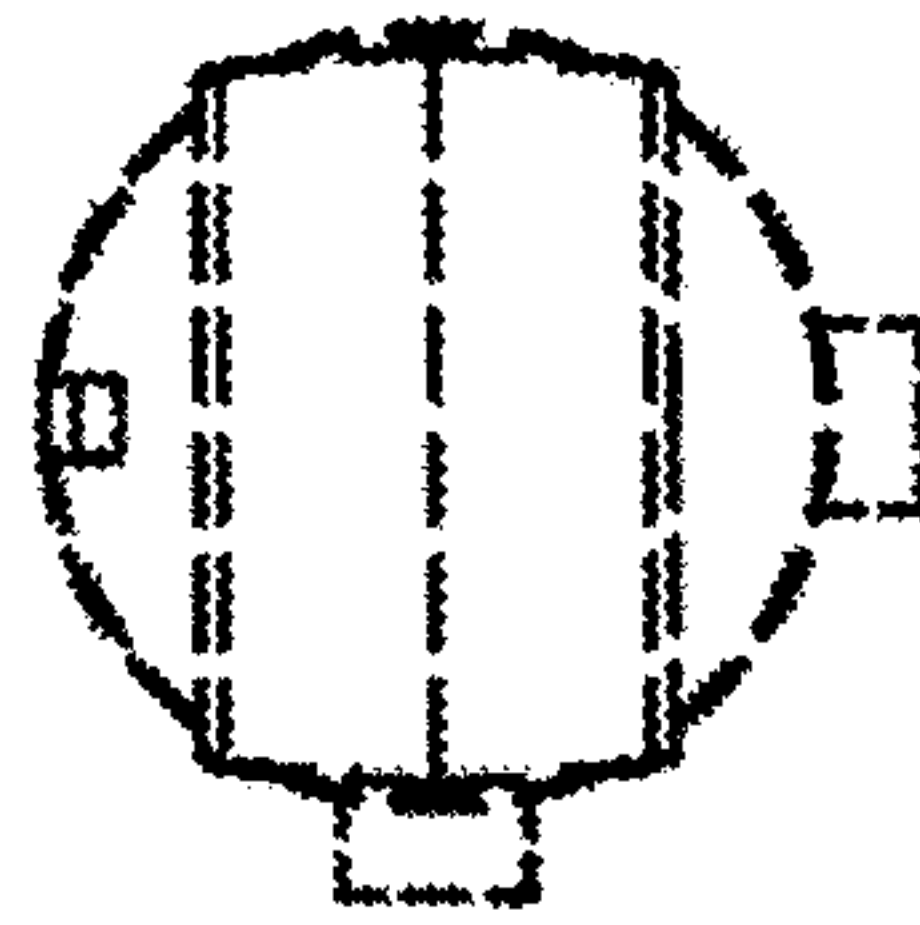


Fig. 6

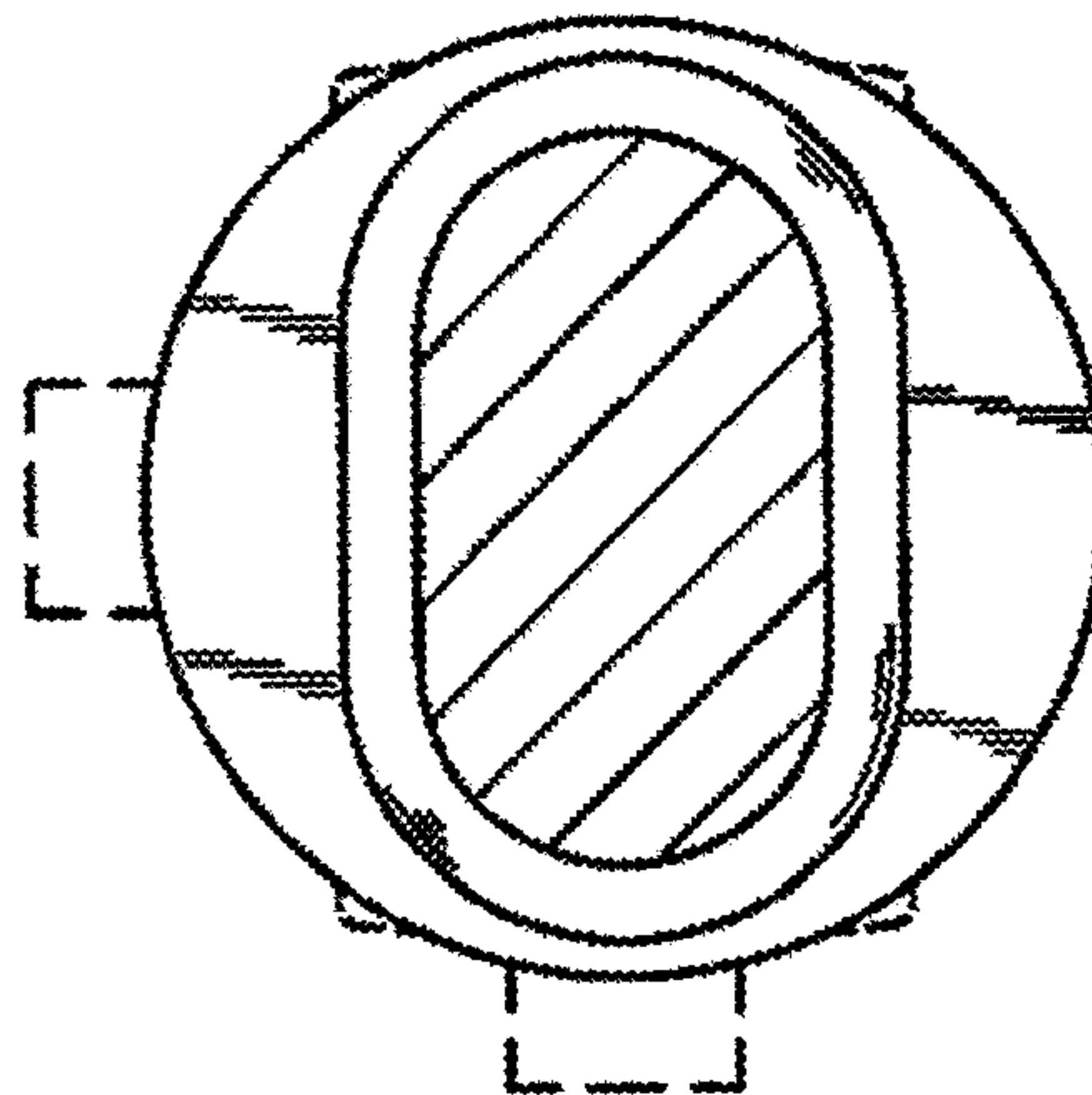


Fig. 7

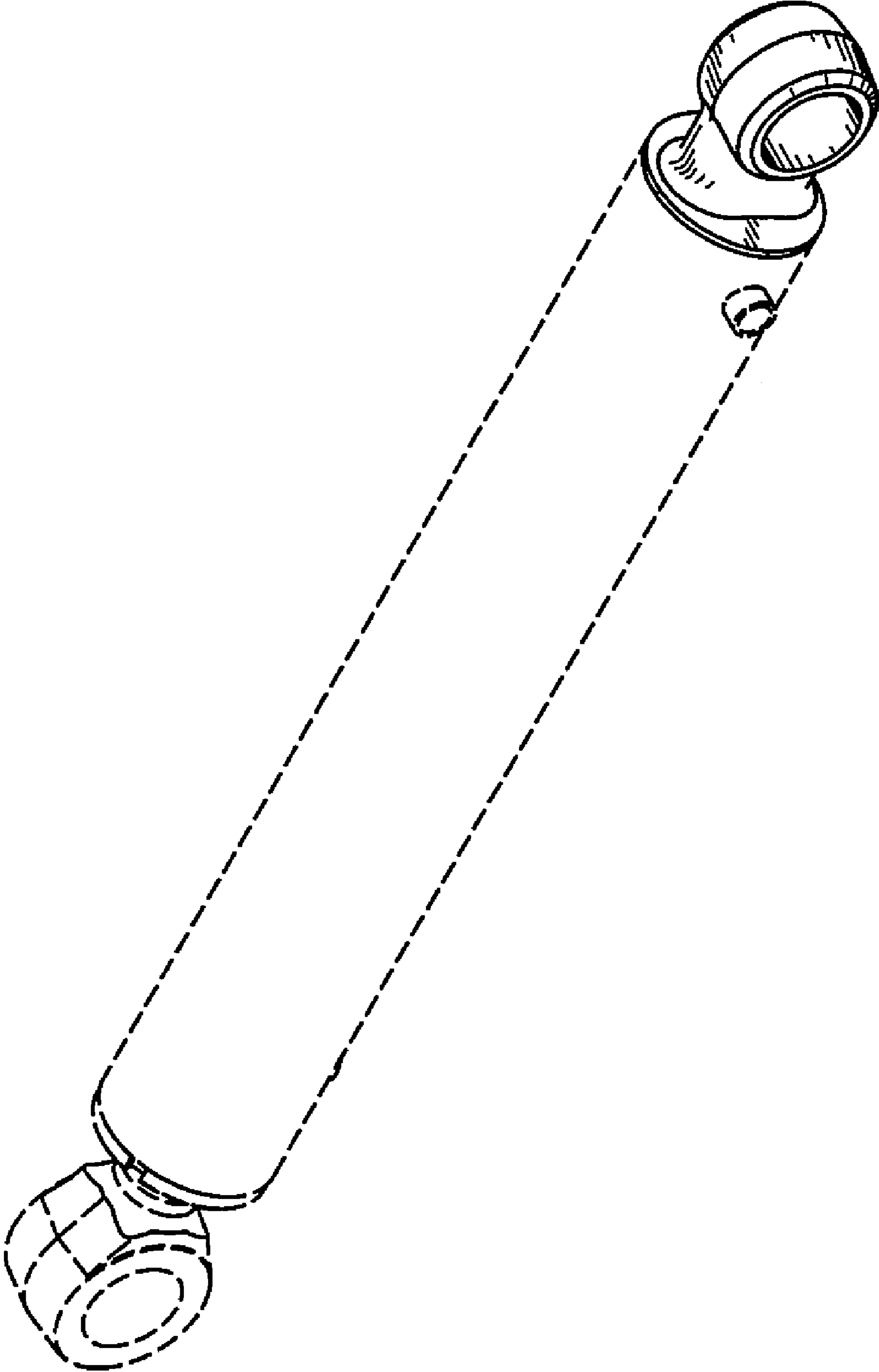


Fig. 8