



US00D621853S

(12) **United States Design Patent**  
**Sundheim et al.**

(10) **Patent No.:** **US D621,853 S**

(45) **Date of Patent:** **\*\* Aug. 17, 2010**

(54) **PORTABLE VACUUM PUMP**

D565,601 S \* 4/2008 Mandsfelt ..... D15/9  
D594,880 S \* 6/2009 Austen et al. .... D15/7

(75) Inventors: **Gregory S. Sundheim**, 5170 Juniper St.,  
Bowmar, CO (US) 80123; **Robert M. Morris**,  
Lakewood, CO (US)

\* cited by examiner

*Primary Examiner*—Ralf Seifert

(73) Assignee: **Gregory S. Sundheim**, Bowmar, CO  
(US)

(74) *Attorney, Agent, or Firm*—W. Scott Carson

(\*\*) Term: **14 Years**

(57) **CLAIM**

(21) Appl. No.: **29/324,496**

The ornamental design for a portable vacuum pump, as shown  
in FIGS. 1-5.

(22) Filed: **Sep. 12, 2008**

**DESCRIPTION**

(51) **LOC (9) Cl.** ..... **15-01**

FIG. 1 is a perspective view of a portable vacuum pump  
showing our new design.

(52) **U.S. Cl.** ..... **D15/7**

FIG. 2 is a right side elevational view thereof.

(58) **Field of Classification Search** ..... D15/7-9;  
D23/231, 232, 225; 417/410.1, 359, 415-416,  
417/234, 321, 265, 405

FIG. 3 is a left side elevation view thereof.

See application file for complete search history.

FIG. 4 is a front view thereof.

FIG. 5 is a top plan view thereof.

(56) **References Cited**

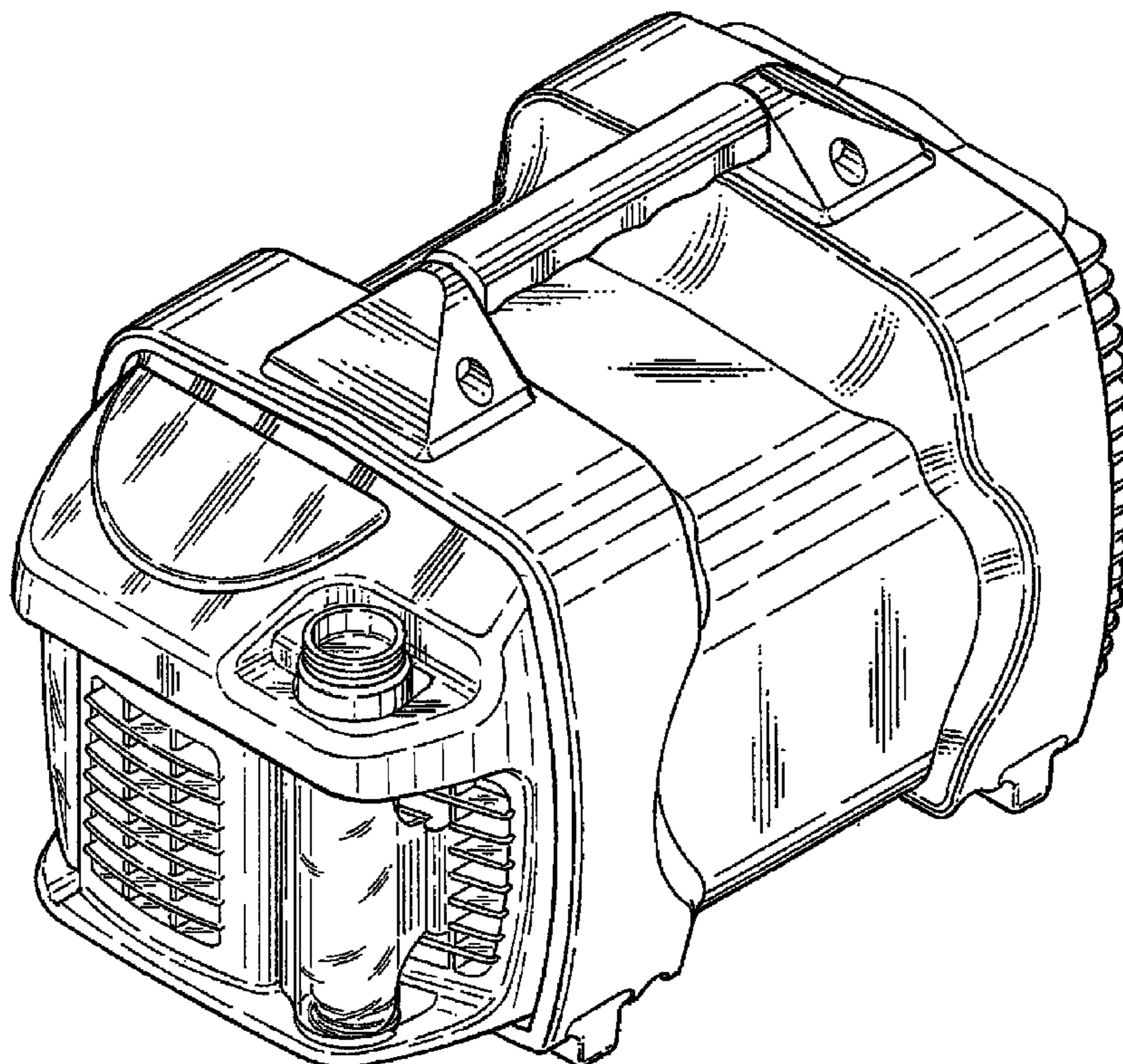
FIG. 6 is a bottom plan view thereof wherein the broken lines  
are included for the purpose of illustrating a portion of the  
portable vacuum pump that forms no part of the claimed  
design; and,

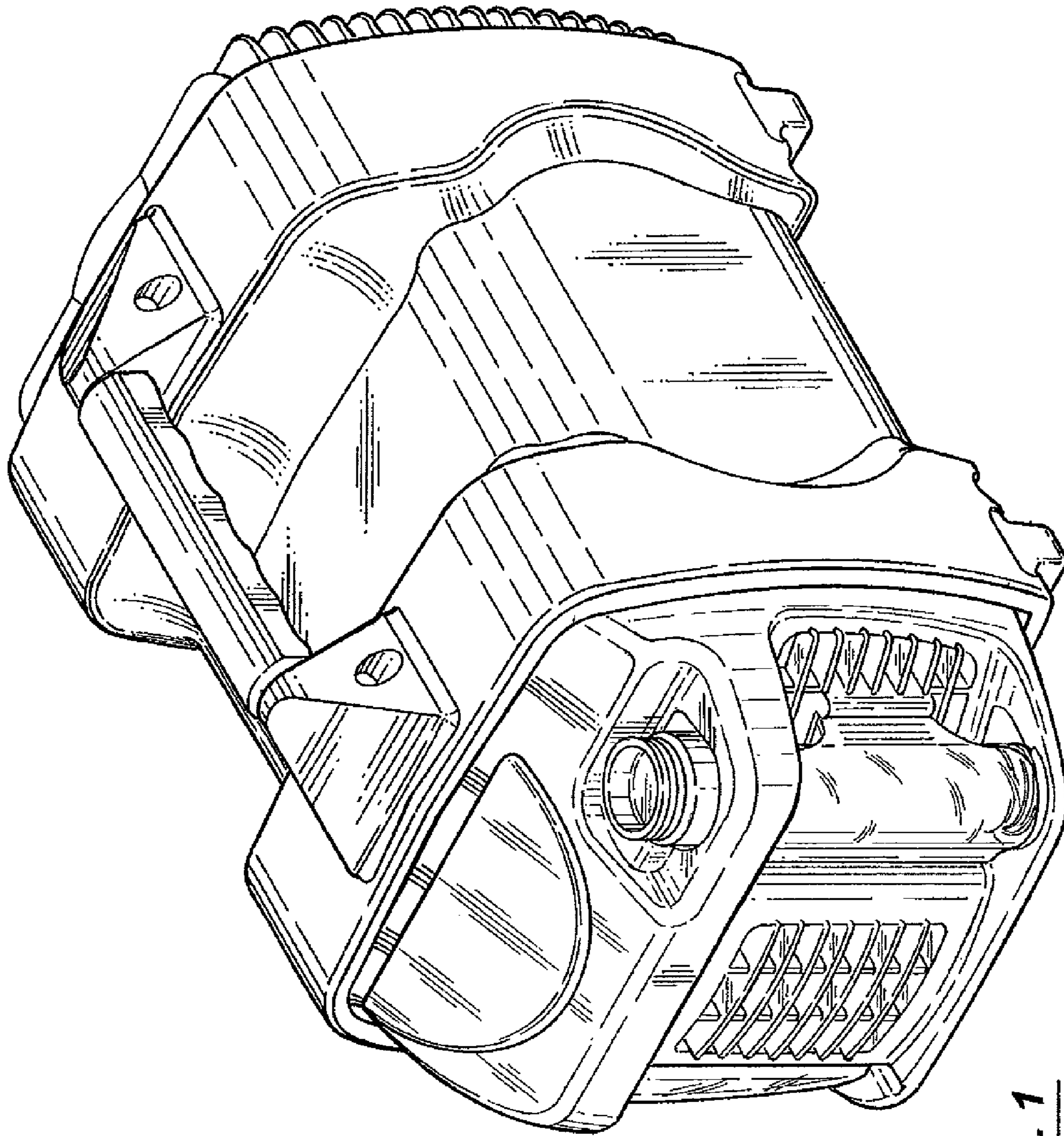
**U.S. PATENT DOCUMENTS**

D354,753 S \* 1/1995 Turner et al. .... D15/7  
D407,413 S \* 3/1999 Wang ..... D15/9  
D409,206 S \* 5/1999 Wang ..... D15/9  
D499,744 S \* 12/2004 Orschell et al. .... D15/7  
D501,486 S \* 2/2005 Leone et al. .... D15/7  
D536,711 S 2/2007 Sundheim et al.  
D549,744 S 8/2007 Sundheim et al.

FIG. 7 is a rear view thereof wherein the broken lines are  
included for the purpose of illustrating a portion of the por-  
table vacuum pump that forms no part of the claimed design.

**1 Claim, 7 Drawing Sheets**





**Fig. 1**

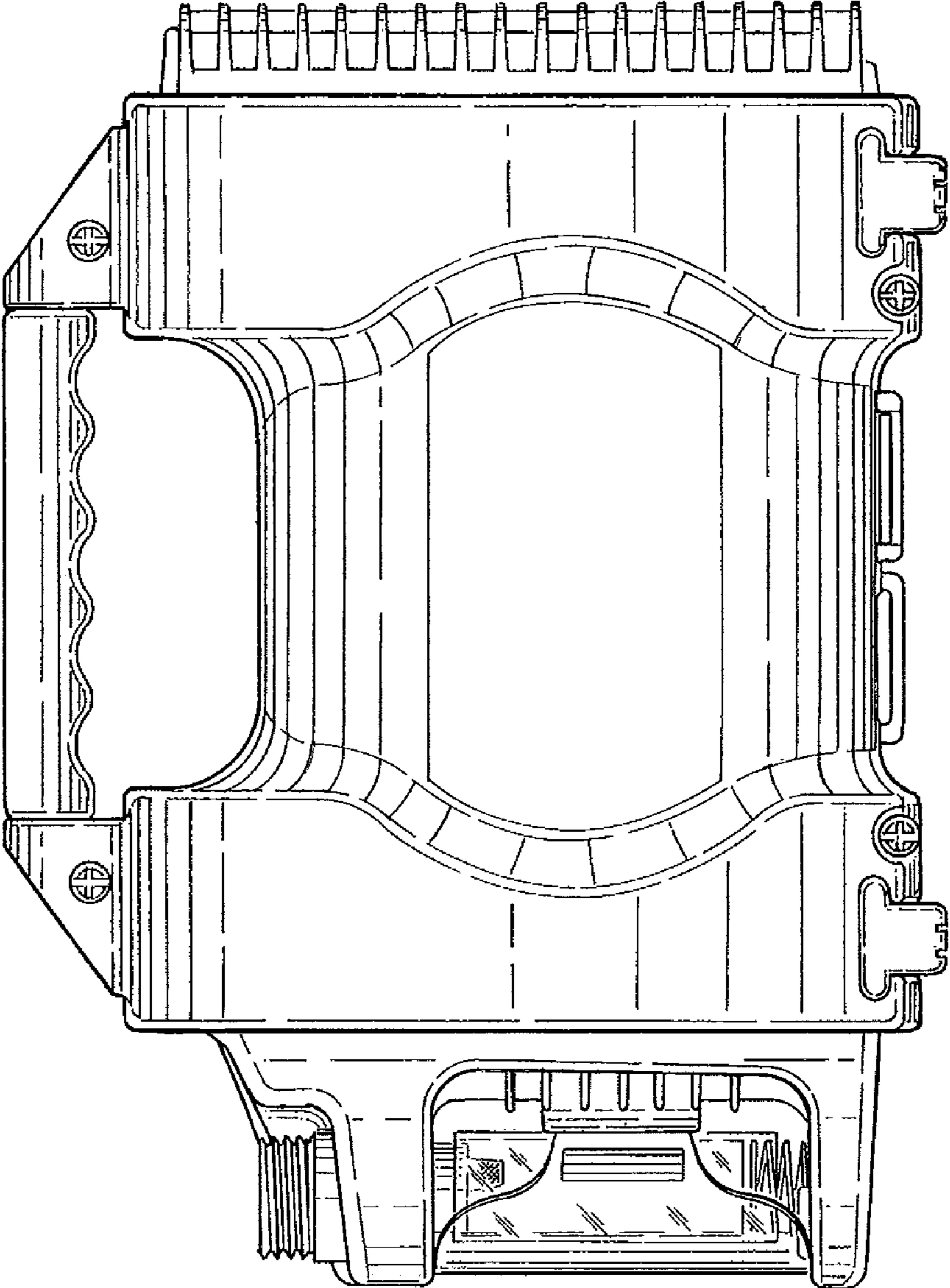


Fig. 2



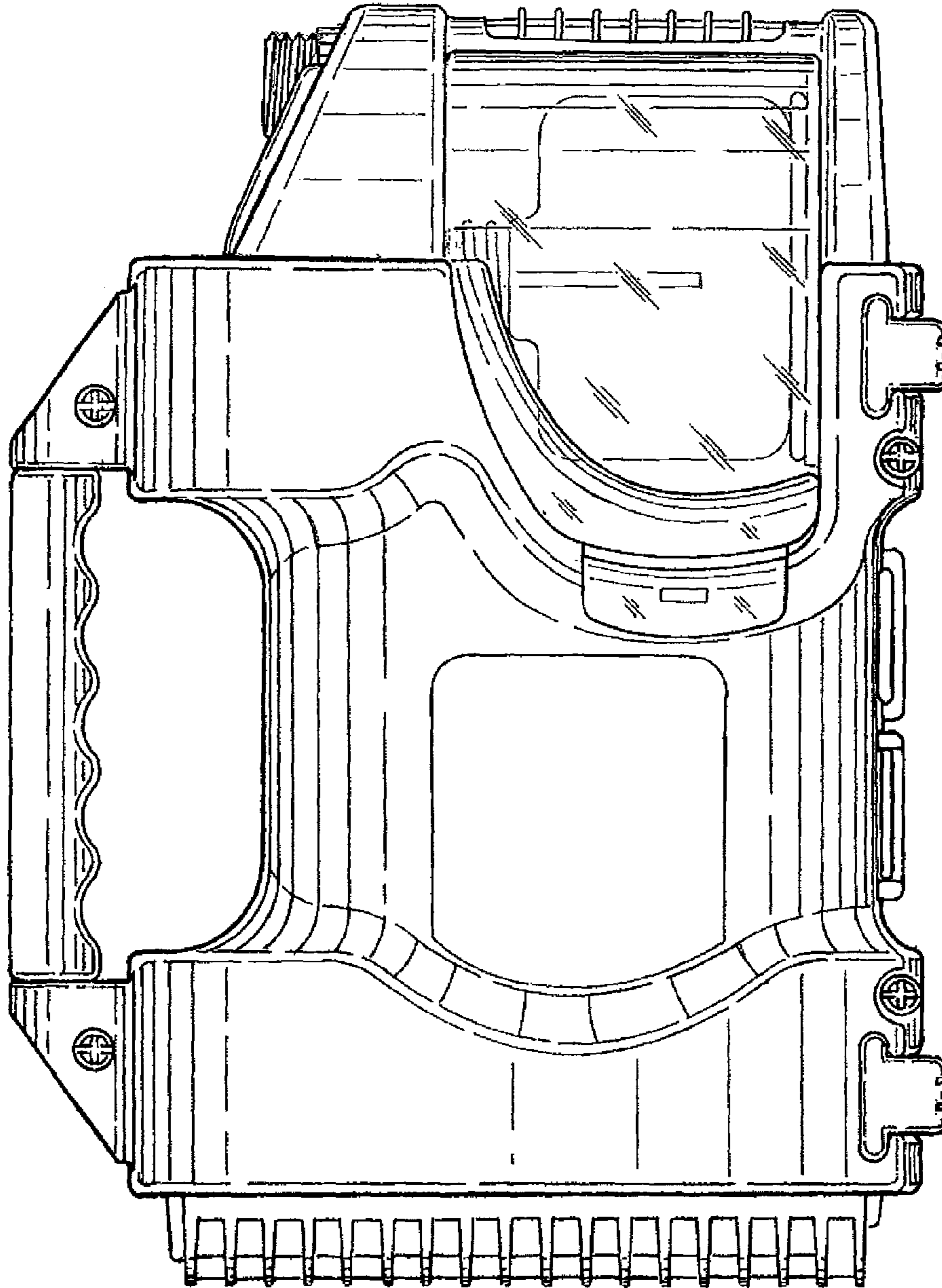


Fig. 3

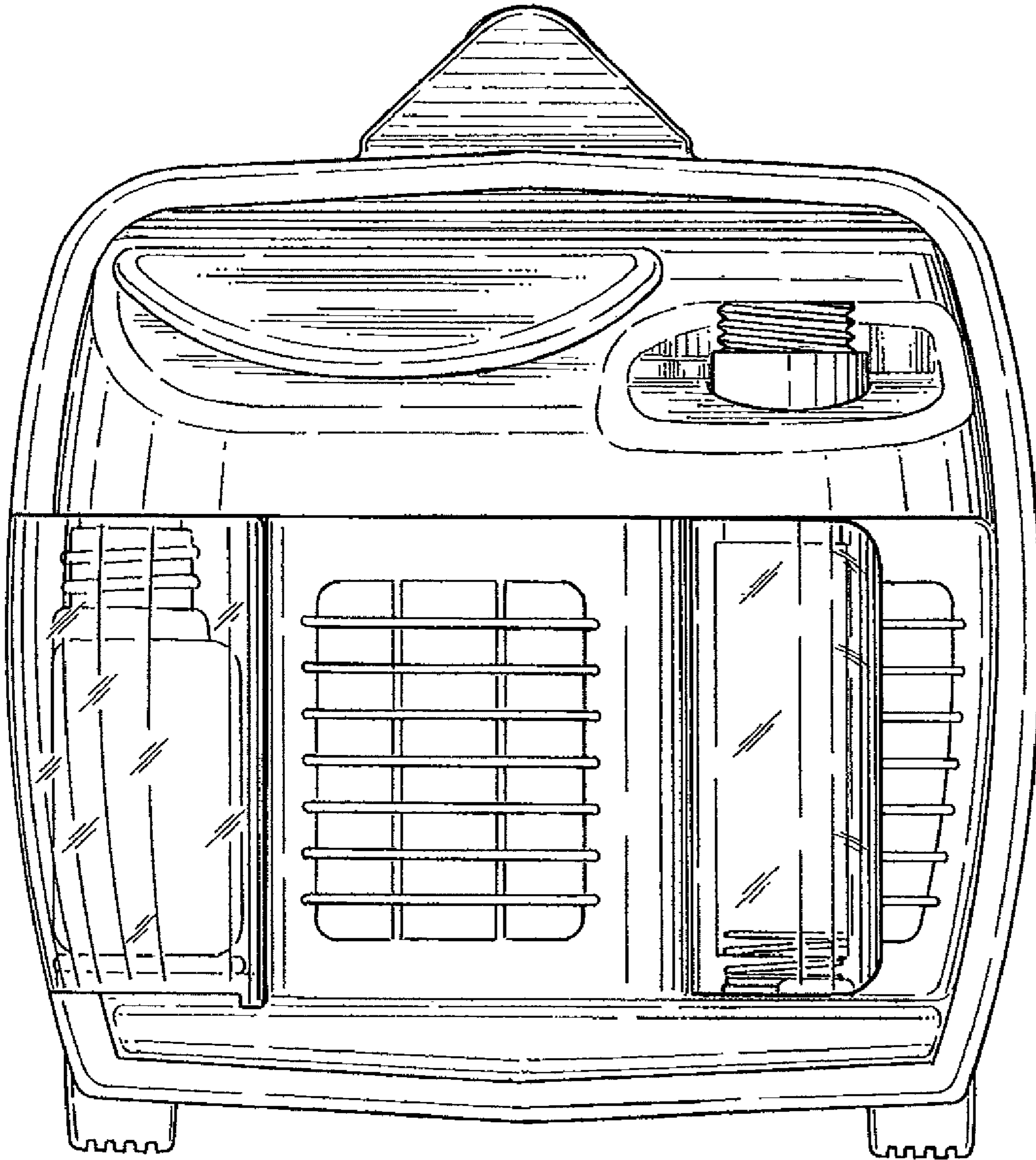


Fig. 4

Fig. 5

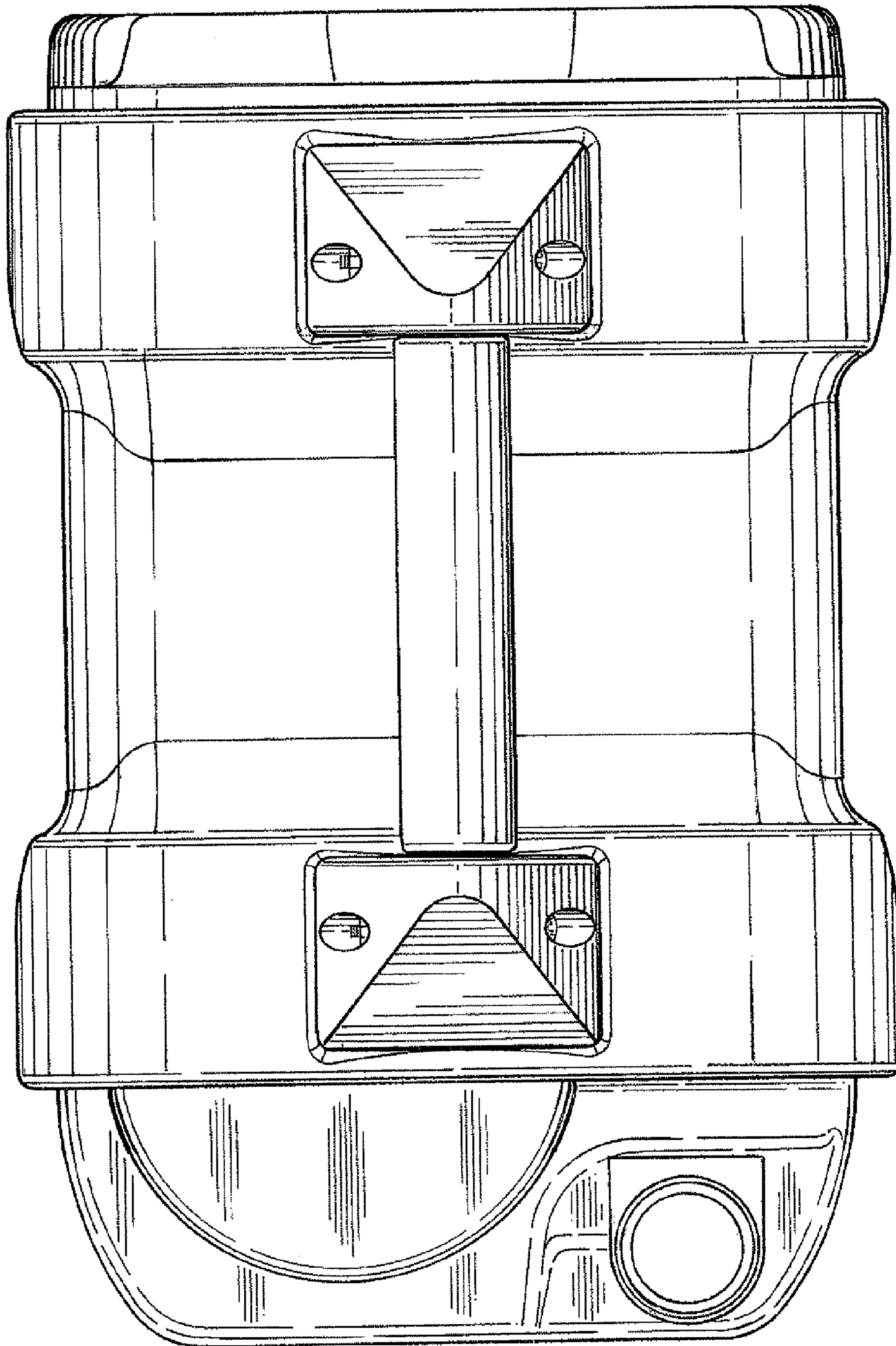
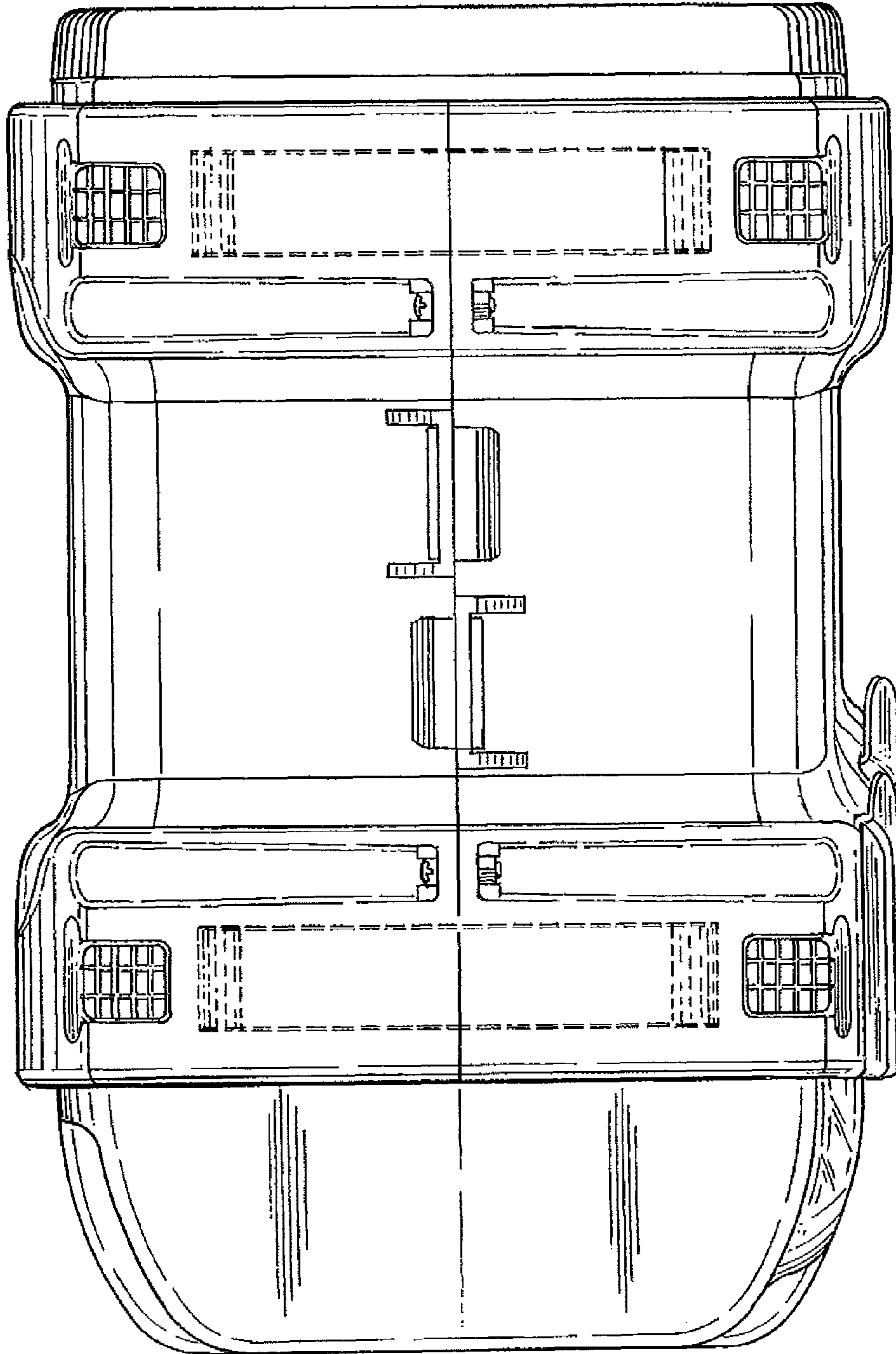


Fig. 6





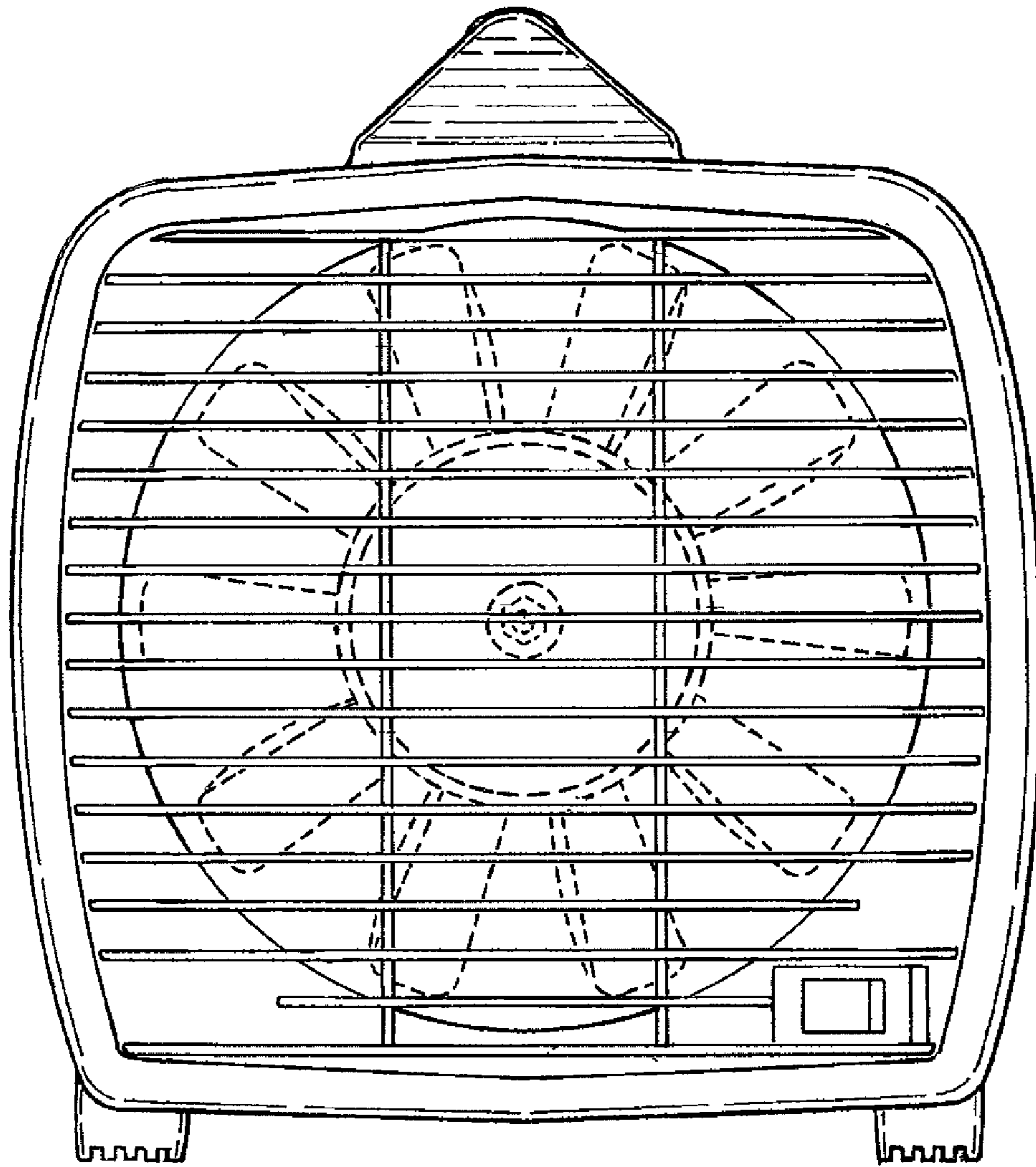


Fig. 7