

US00D621852S

(12) **United States Design Patent**  
**Zunik**

(10) **Patent No.:** **US D621,852 S**

(45) **Date of Patent:** **\*\* Aug. 17, 2010**

(54) **AIRCRAFT ENGINE SAFETY SHIELD**

(76) **Inventor:** **John Zunik**, 840 E. 8th St., Apartment #1-L, Brooklyn, NY (US) 11230

(\*\*) **Term:** **14 Years**

(21) **Appl. No.:** **29/354,587**

(22) **Filed:** **Jan. 26, 2010**

(51) **LOC (9) Cl.** ..... **15-01**

(52) **U.S. Cl.** ..... **D15/5; D12/345**

(58) **Field of Classification Search** ..... D15/1,  
D15/2, 3, 5, 6, 14, 17; 244/153 B, 113, 121;  
D12/345

See application file for complete search history.

6,138,950 A \* 10/2000 Wainfan et al. .... 244/53 B  
6,193,011 B1 \* 2/2001 Harris ..... 181/214  
6,871,819 B2 \* 3/2005 Garric ..... 244/53 B  
7,051,509 B2 5/2006 Grimlund  
7,160,345 B2 1/2007 Pavlatos  
D614,560 S \* 4/2010 Alexander ..... D12/345

\* cited by examiner

*Primary Examiner*—T. Chase Nelson

*Assistant Examiner*—Ania K Dworzecka

(74) *Attorney, Agent, or Firm*—Crossley Patent Law; Mark A. Crossley

(57) **CLAIM**

The ornamental design for an aircraft engine safety shield, as shown and described.

(56) **References Cited**

U.S. PATENT DOCUMENTS

2,931,460	A	4/1960	McEachern	
2,944,631	A *	7/1960	Thomas et al. ....	55/306
3,121,545	A *	2/1964	Meletion .....	244/53 B
3,426,981	A	2/1969	Allcock	
3,871,844	A	3/1975	Calvin, Sr.	
4,077,739	A	3/1978	Heilenbach	
4,149,689	A *	4/1979	McDonald .....	244/53 B
4,354,346	A	10/1982	Wooding	
4,833,879	A	5/1989	Verduyn et al.	
5,411,224	A *	5/1995	Dearman et al. ....	244/53 B
D433,029	S	10/2000	Eidson	

**DESCRIPTION**

FIG. 1 is a front elevation view of an aircraft engine safety shield showing my new design;

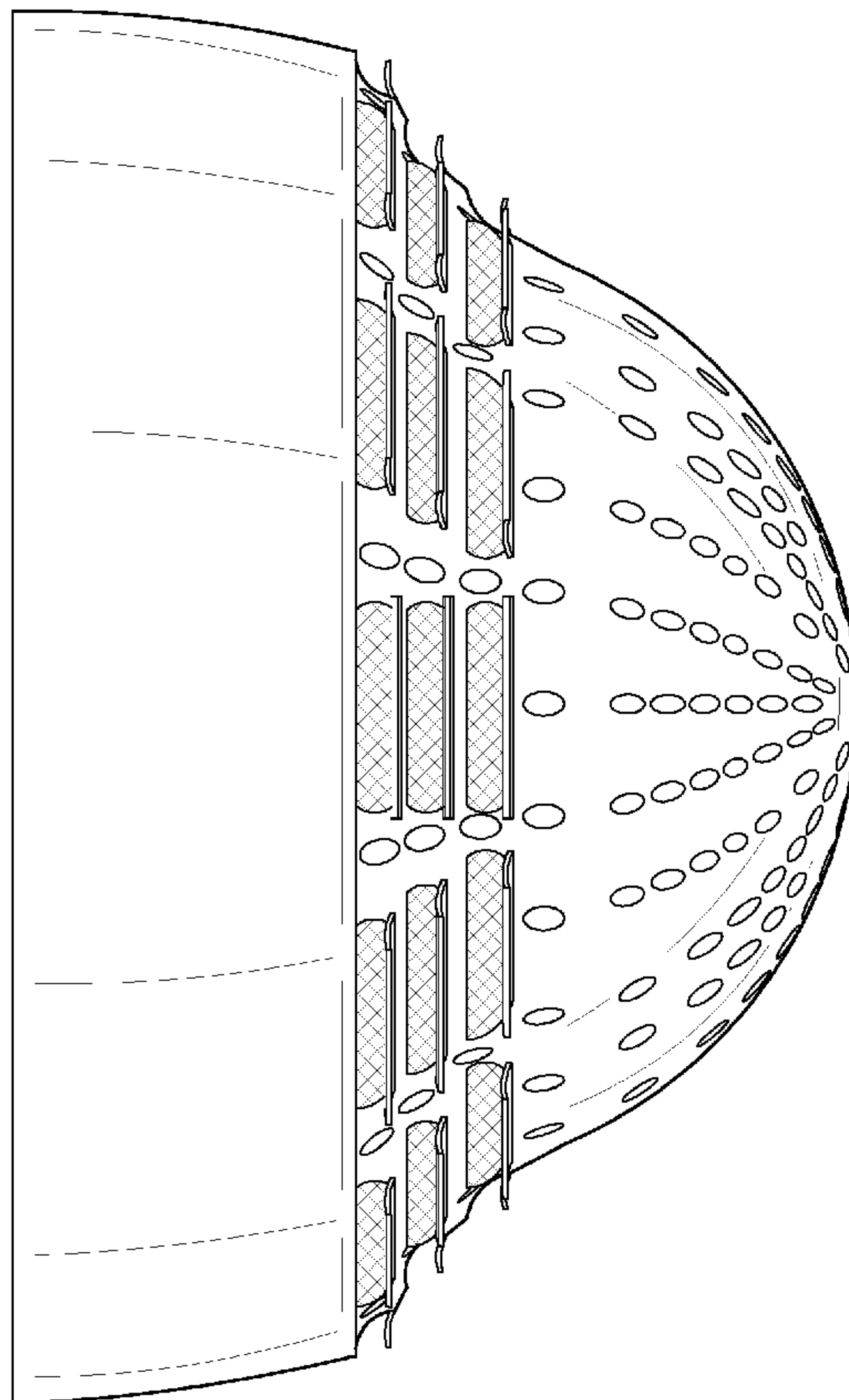
FIG. 2 is a rear elevation view thereof;

FIG. 3 is a right elevation view thereof, the opposite side being a mirror image of the shown; and,

FIG. 4 is an isometric view thereof.

The broken lines in the drawings depict environmental subject matter only and form no part of the claimed design.

**1 Claim, 4 Drawing Sheets**



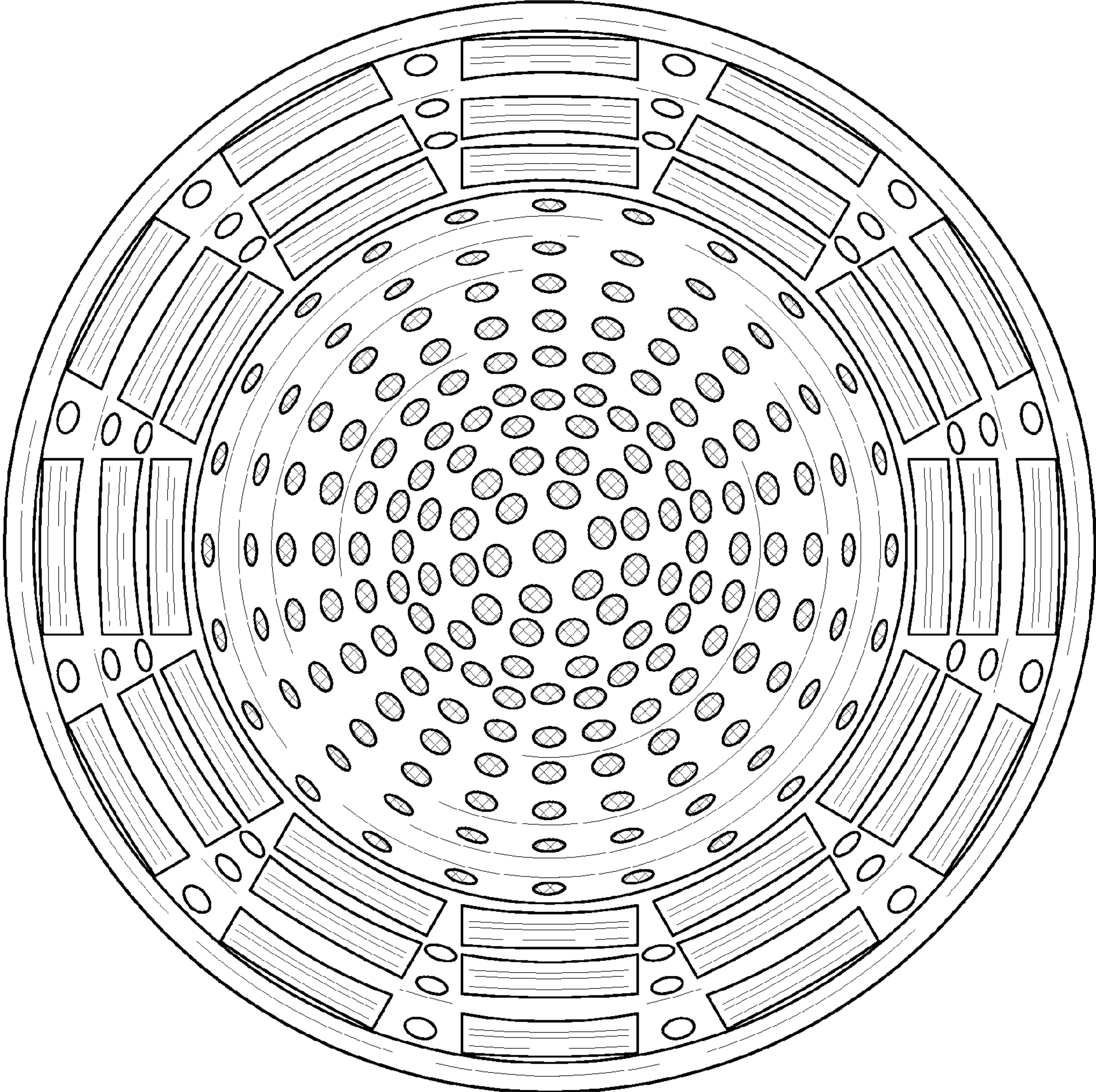


FIG. 1



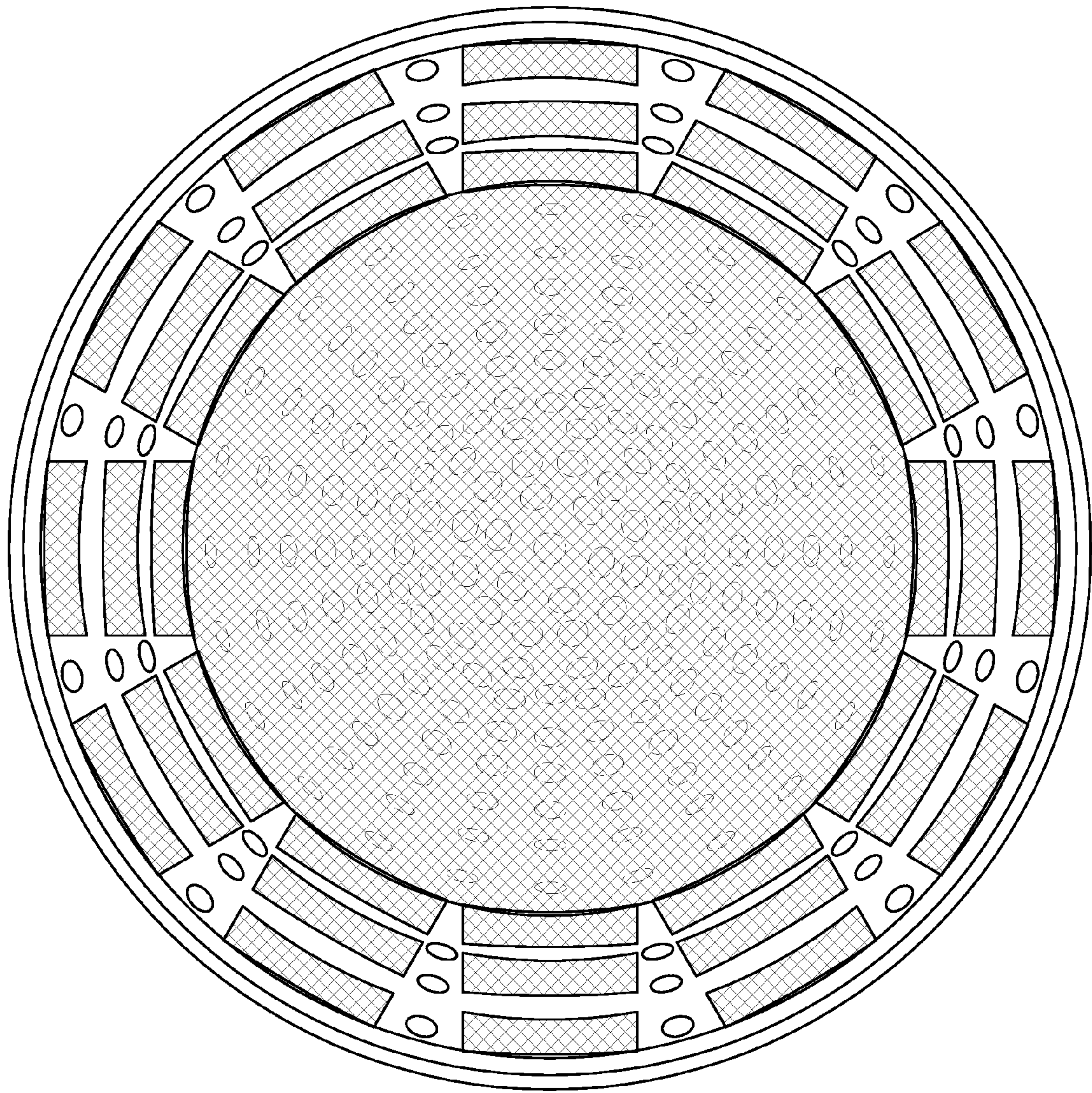


FIG. 2



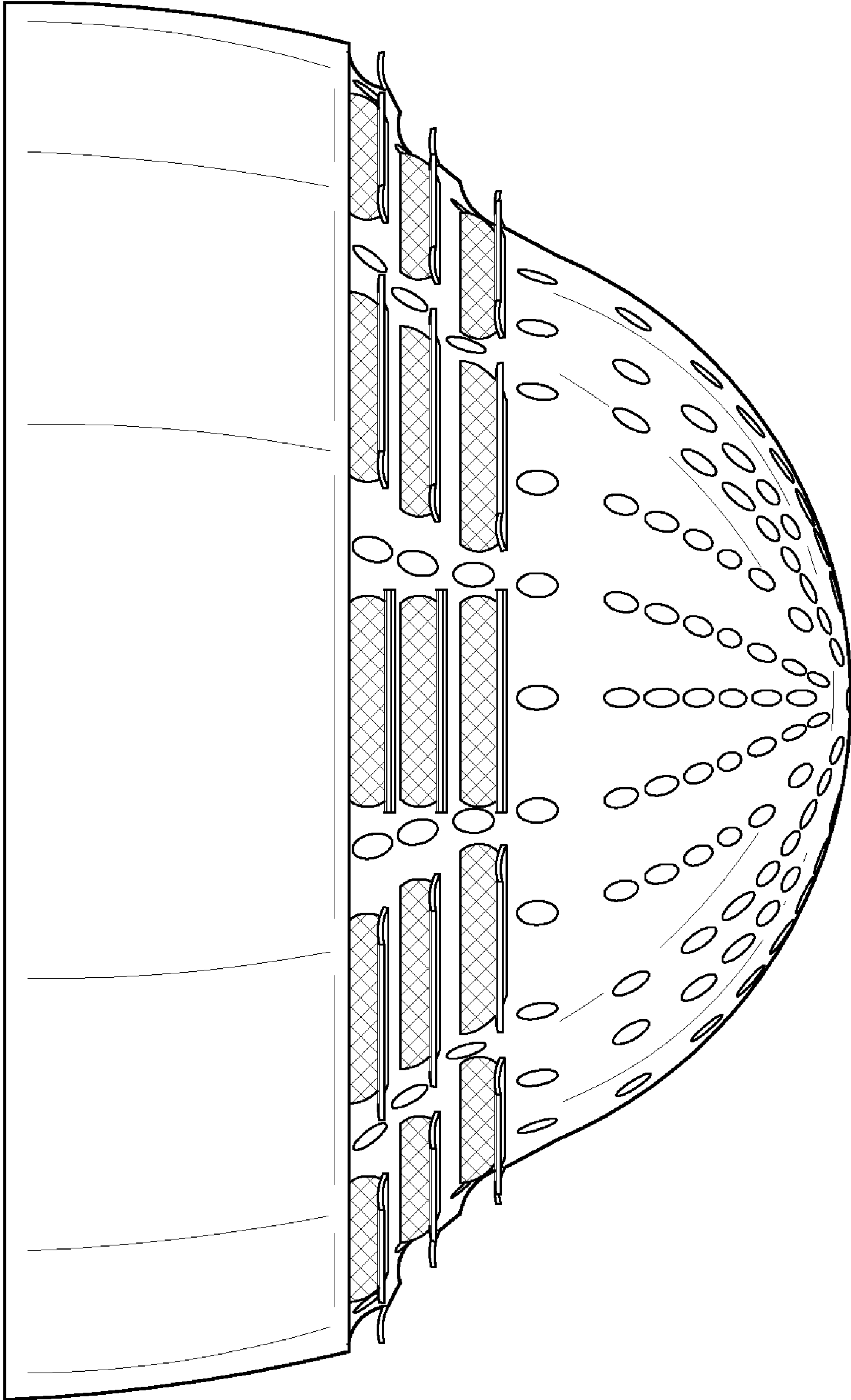


FIG. 3

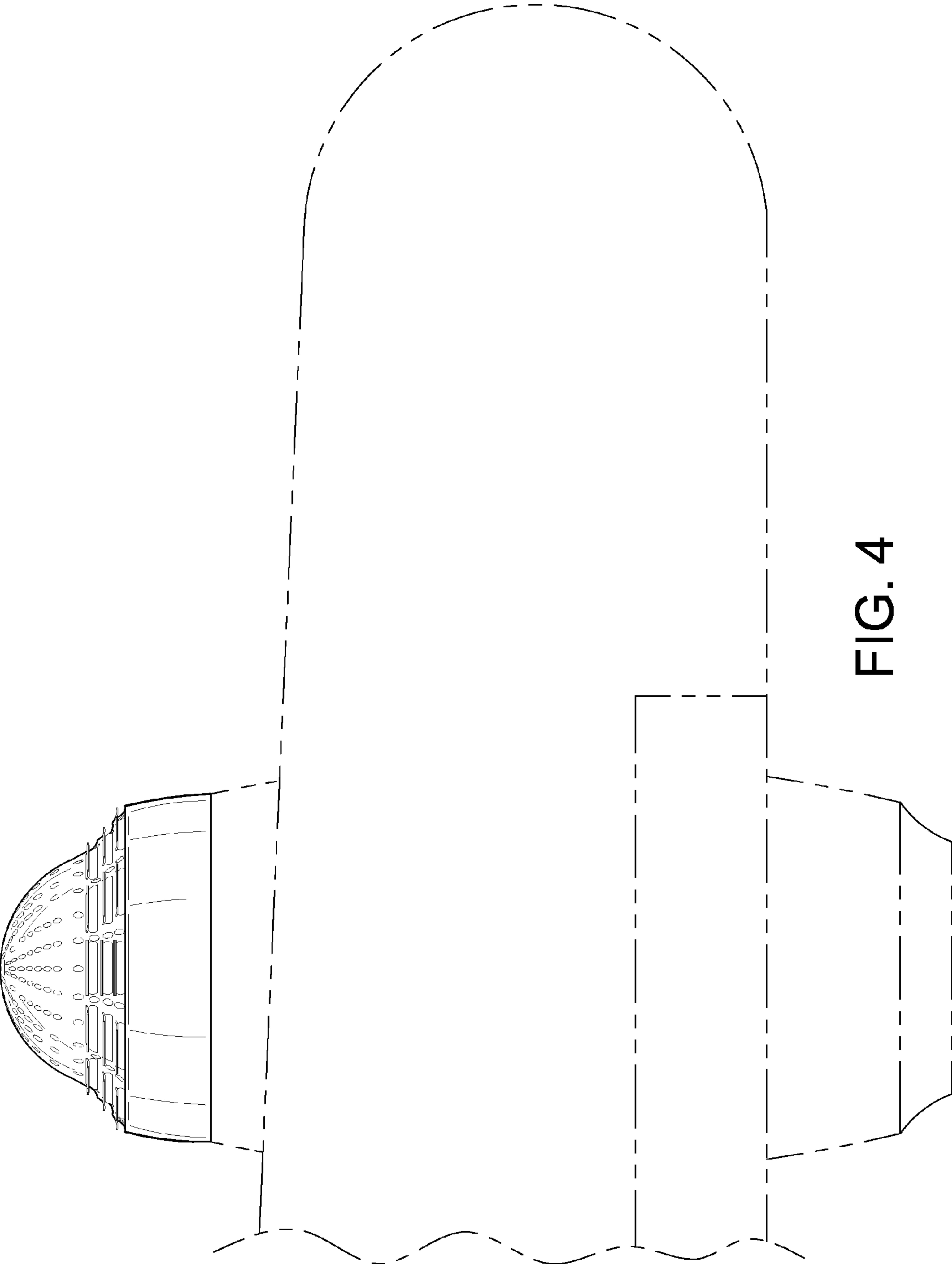


FIG. 4