



US00D621851S

(12) **United States Design Patent**  
**McGarry**

(10) **Patent No.:** **US D621,851 S**

(45) **Date of Patent:** **\*\* Aug. 17, 2010**

(54) **CASE PROTECTOR**

(75) Inventor: **Timothy McGarry**, Phoenix, OR (US)

(73) Assignee: **T.M. Designworks, LLC**, Phoenix, OR (US)

(\*\*) Term: **14 Years**

(21) Appl. No.: **29/350,132**

(22) Filed: **Nov. 11, 2009**

(51) **LOC (9) Cl.** ..... **15-01**

(52) **U.S. Cl.** ..... **D15/5; D12/126**

(58) **Field of Classification Search** ..... D15/1,  
D15/2, 3, 5, 6, 14, 17, 149; 123/22, 41.34,  
123/51 A, 606 R, 52.1, 50 A, 50 B, 54.1,  
123/54.2, 54.4, 54.5, 65 R, 195 R, 195 HC,  
123/657, 311, 41.67, 198 E, 572-574; D12/126,  
D12/127, 110, 179, 180; D13/184; 280/288.4;  
180/219

See application file for complete search history.

(56) **References Cited**

**U.S. PATENT DOCUMENTS**

D411,148 S	*	6/1999	Swenson et al.	.....	D12/126
D532,720 S	*	11/2006	McGarry	.....	D12/127
D592,108 S	*	5/2009	McGarry	.....	D12/126
D592,559 S	*	5/2009	McGarry	.....	D12/126
D594,791 S	*	6/2009	Million	.....	D12/126
D600,600 S	*	9/2009	McGarry	.....	D12/127
D601,465 S	*	10/2009	McGarry	.....	D12/127
2007/0087877 A1	*	4/2007	McGarry	.....	474/144

**OTHER PUBLICATIONS**

KX450F Stock Case Protector, Sold by Kawasaki Motor Company, Sep. 2009 (approximately), 4 pages.

\* cited by examiner

*Primary Examiner*—T. Chase Nelson

*Assistant Examiner*—Ania K Dworzecka

(74) *Attorney, Agent, or Firm*—Alleman Hall McCoy Russell & Tuttle LLP

(57) **CLAIM**

The ornamental design for a case protector, as shown and described.

**DESCRIPTION**

FIG. 1 is a front perspective view of a case protector according to the present invention.

FIG. 2 is a rear perspective view of the case protector of FIG. 1.

FIG. 3 is a front side view of the case protector of FIG. 1.

FIG. 4 is a rear side view of the case protector of FIG. 1.

FIG. 5 is a top side view of the case protector of FIG. 1.

FIG. 6 is a bottom side view of the case protector of FIG. 1.

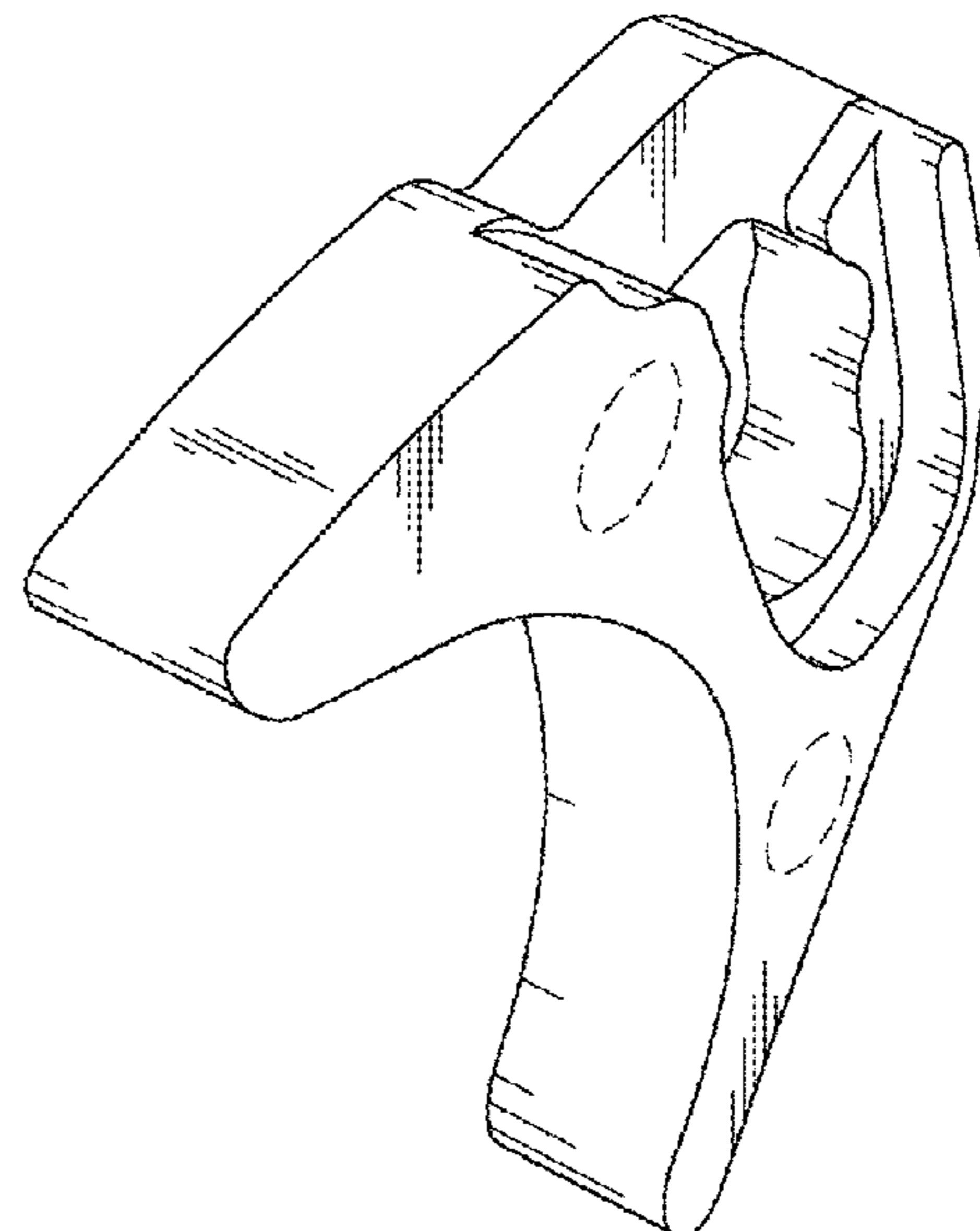
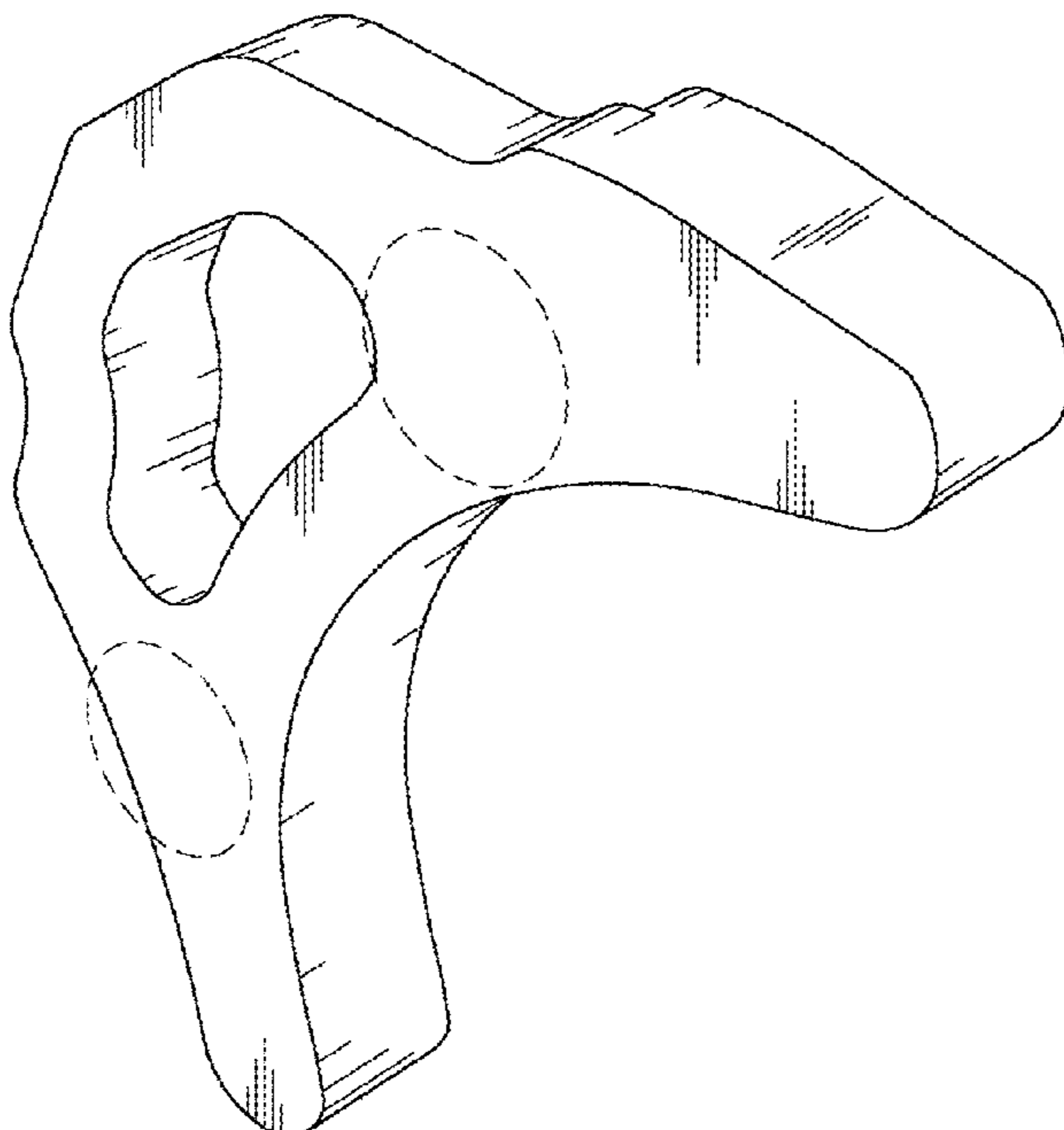
FIG. 7 is a left side view of the case protector of FIG. 1.

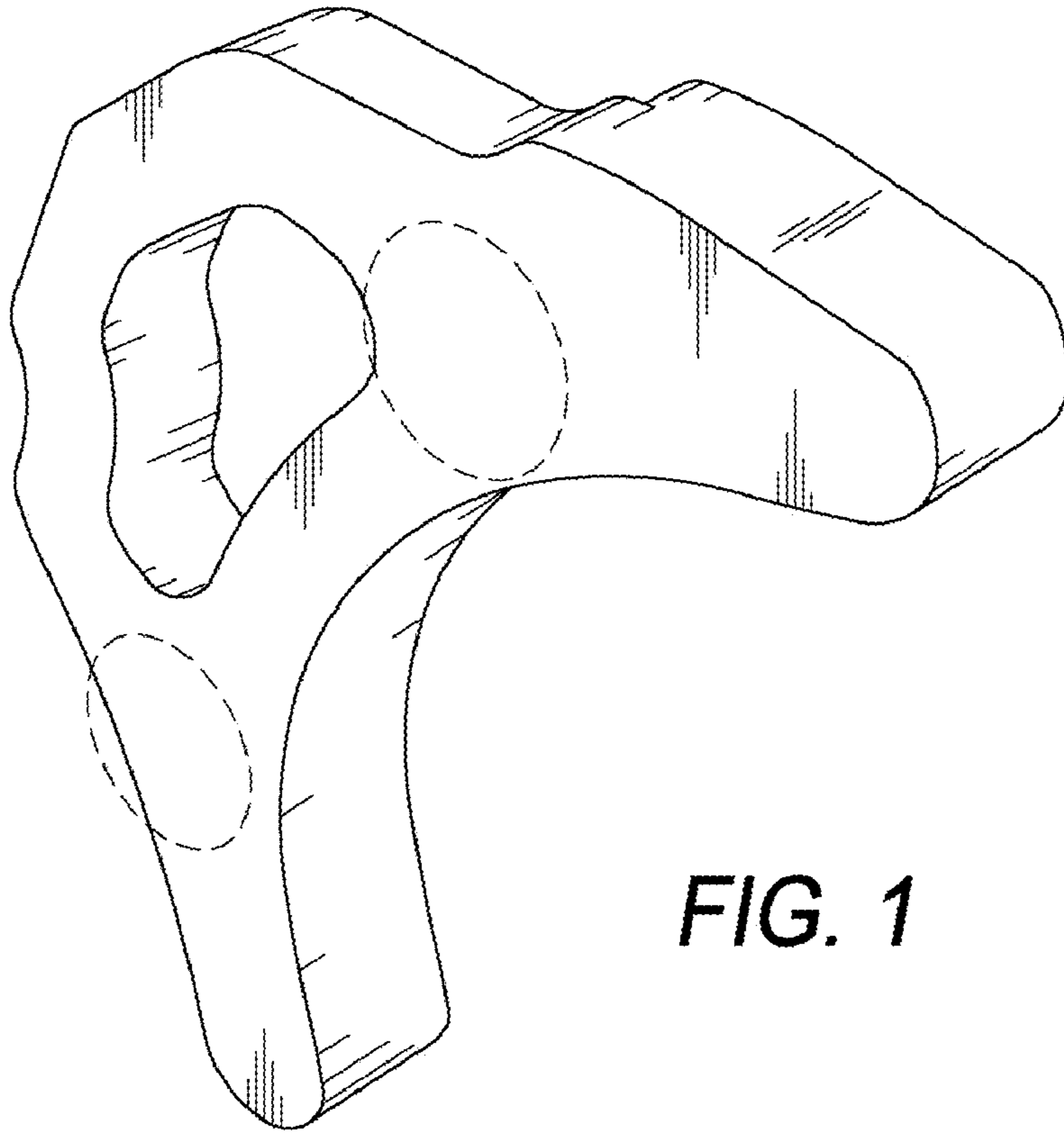
FIG. 8 is a right side view of the case protector of FIG. 1; and,

FIG. 9 is another front side view of the case protector of FIG. 1, shown in an unclaimed operating environment to be mounted to an engine case of a motorcycle.

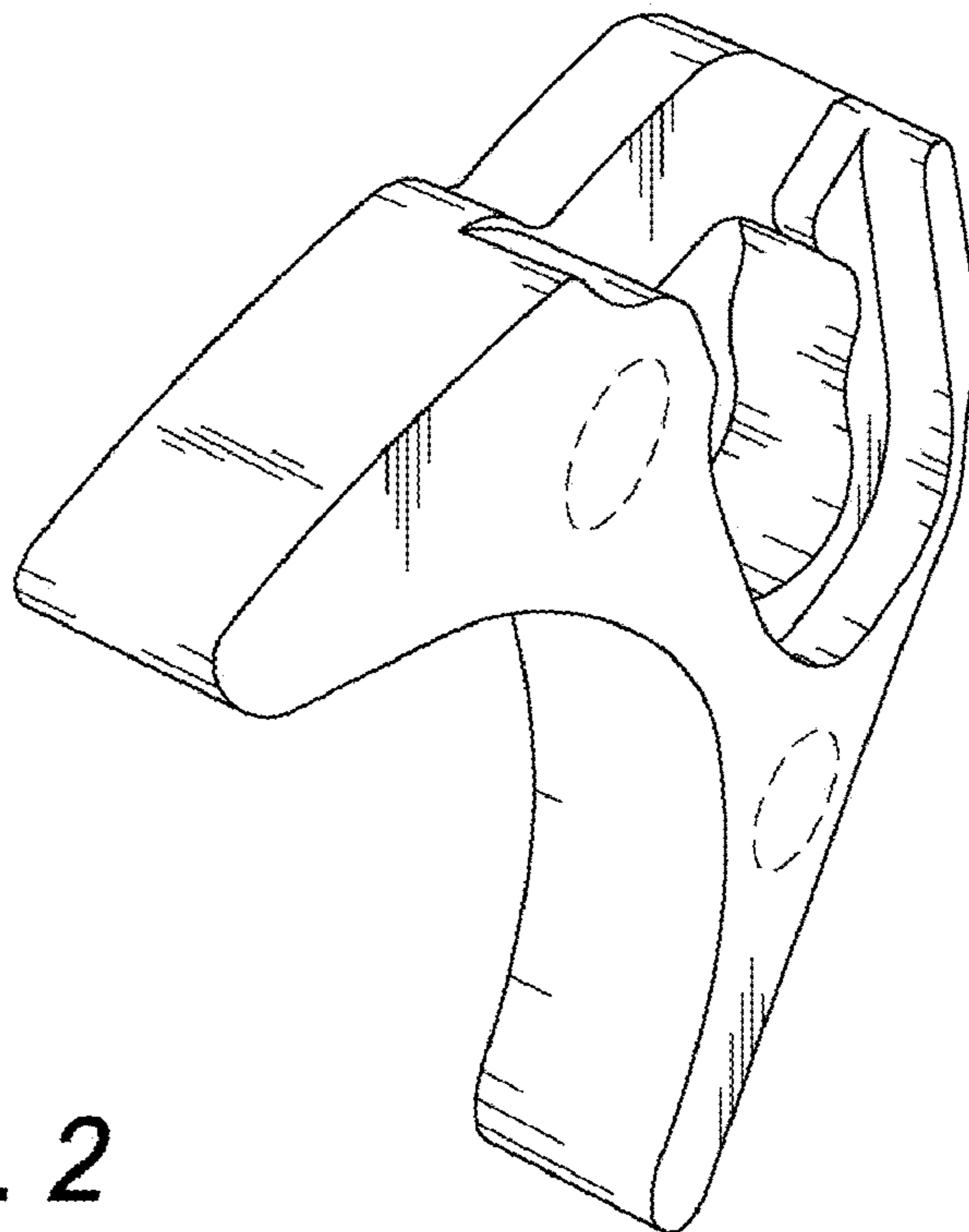
The dashed lines on the article in FIGS. 1-9 illustrate locations for fasteners and form no part of the claimed design. The remaining dashed lines in FIG. 9 illustrate an engine case of a motorcycle and form no part of the claimed design.

**1 Claim, 4 Drawing Sheets**

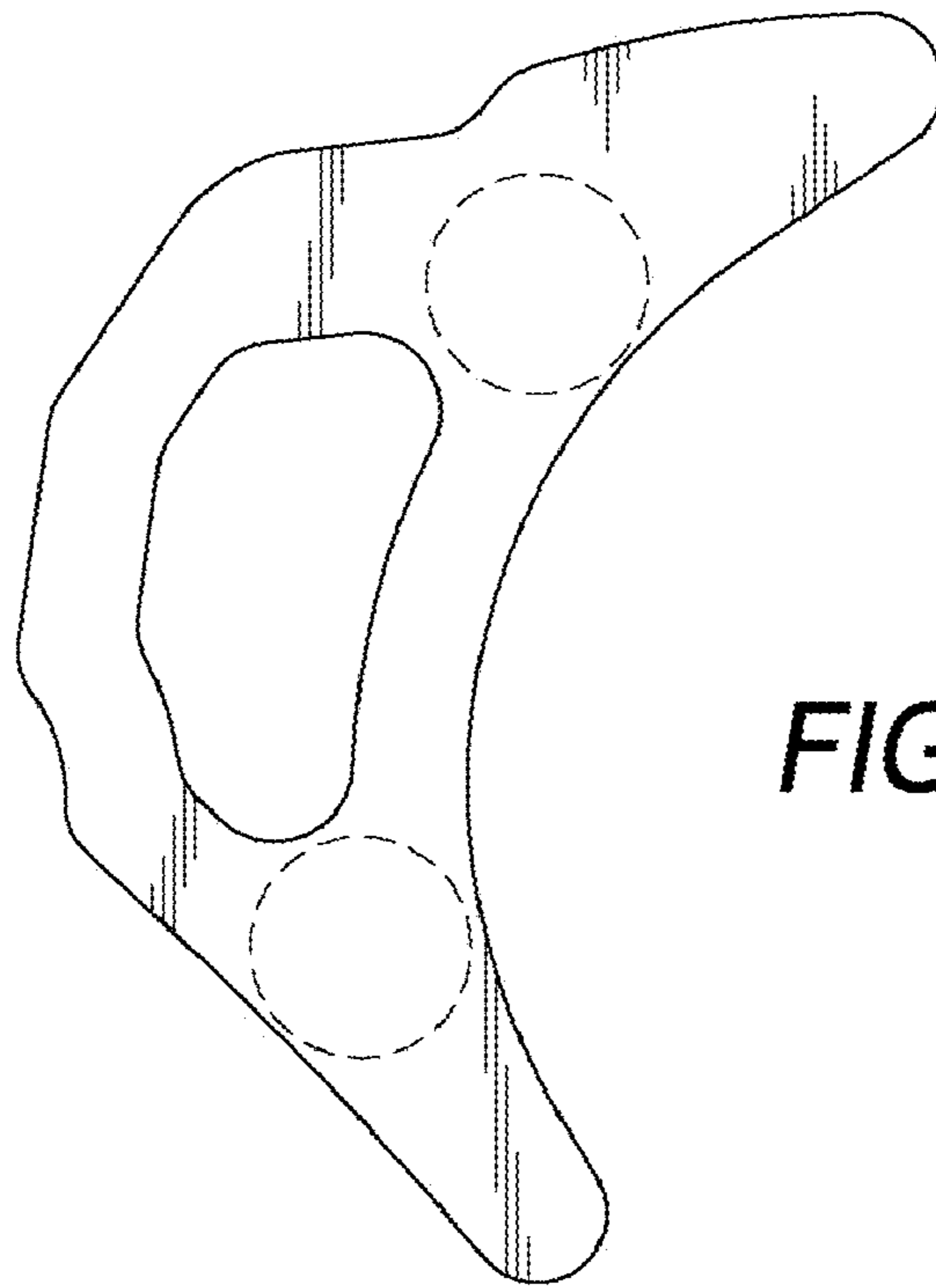




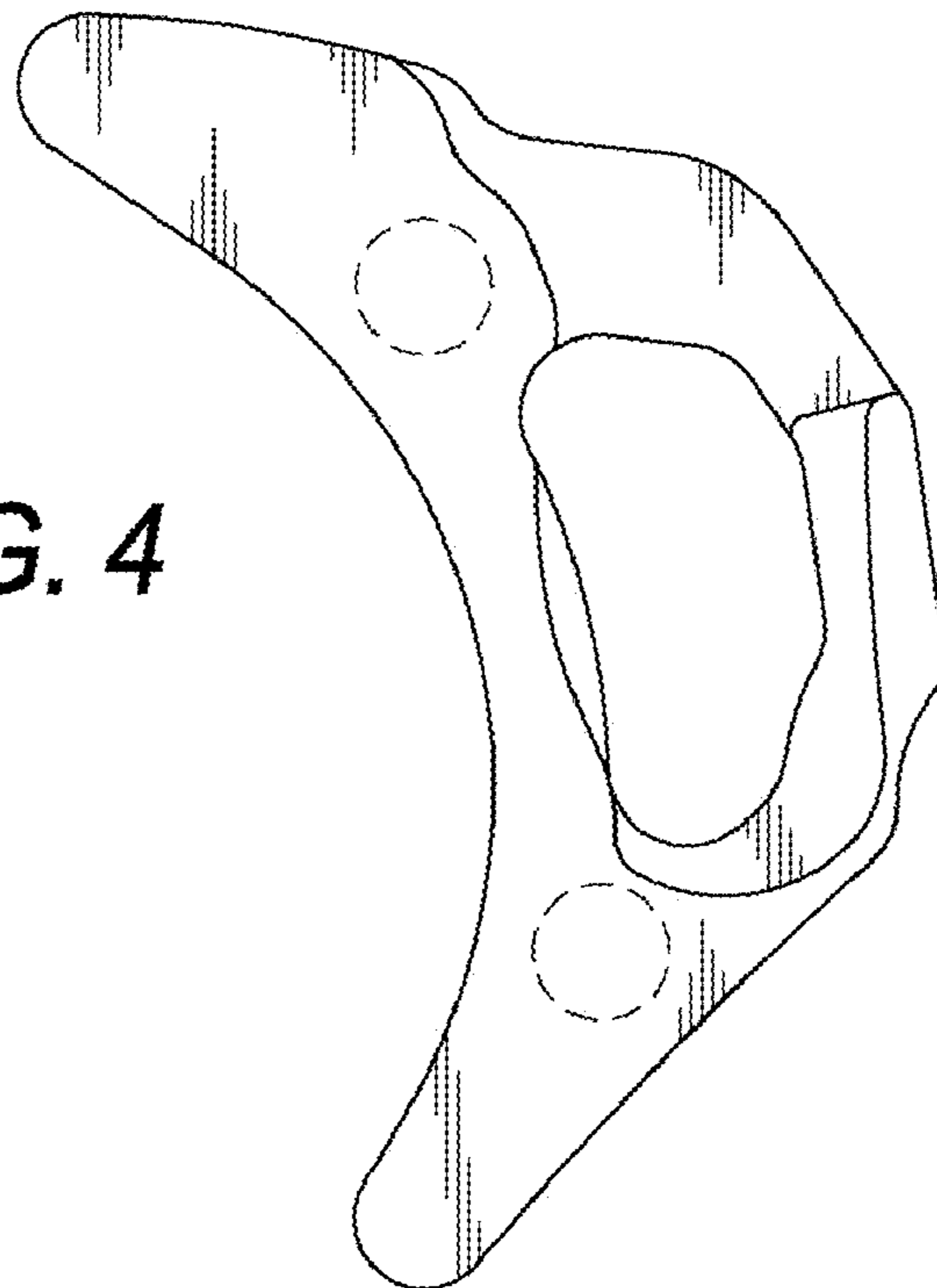
**FIG. 1**



**FIG. 2**



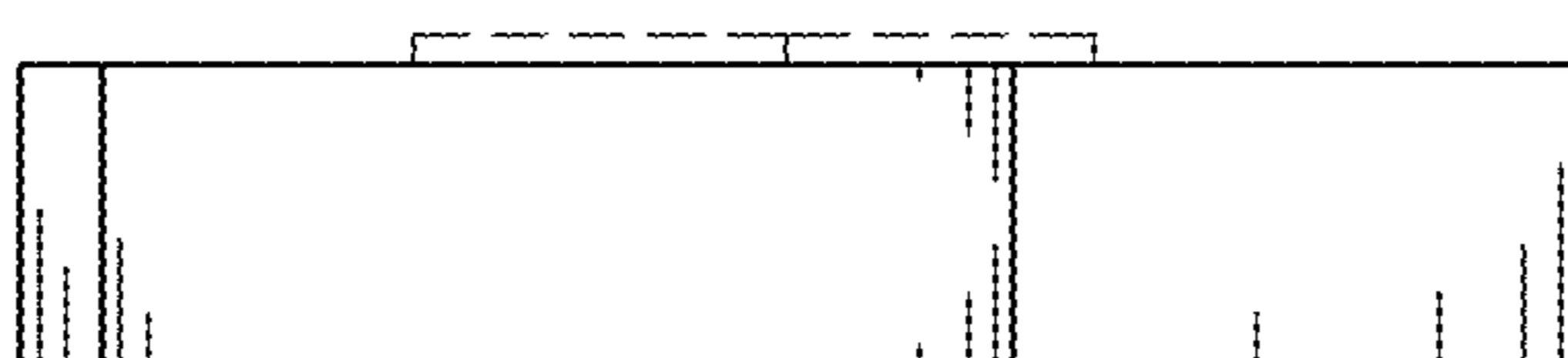
**FIG. 3**



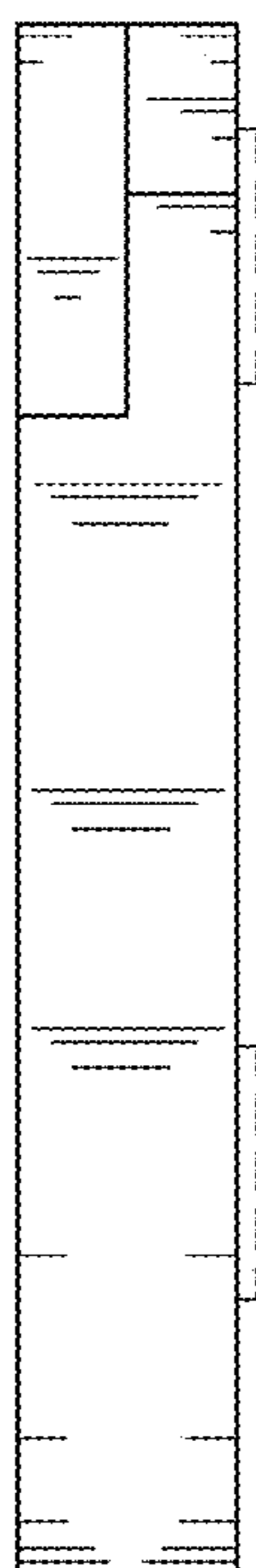
**FIG. 4**



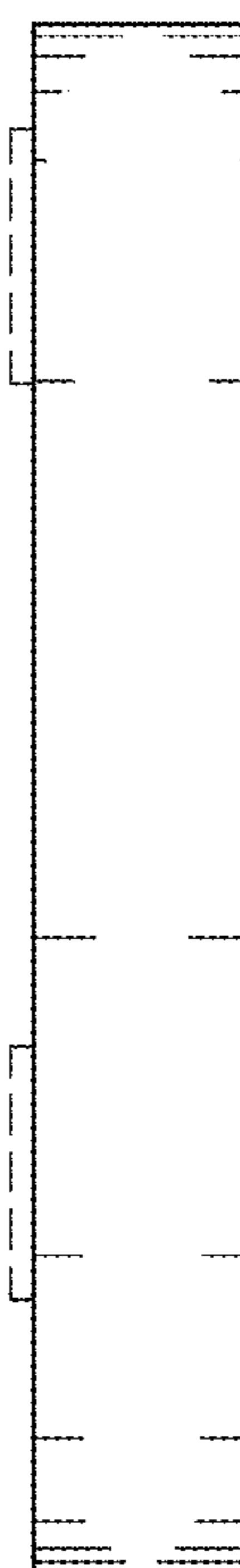
**FIG. 5**



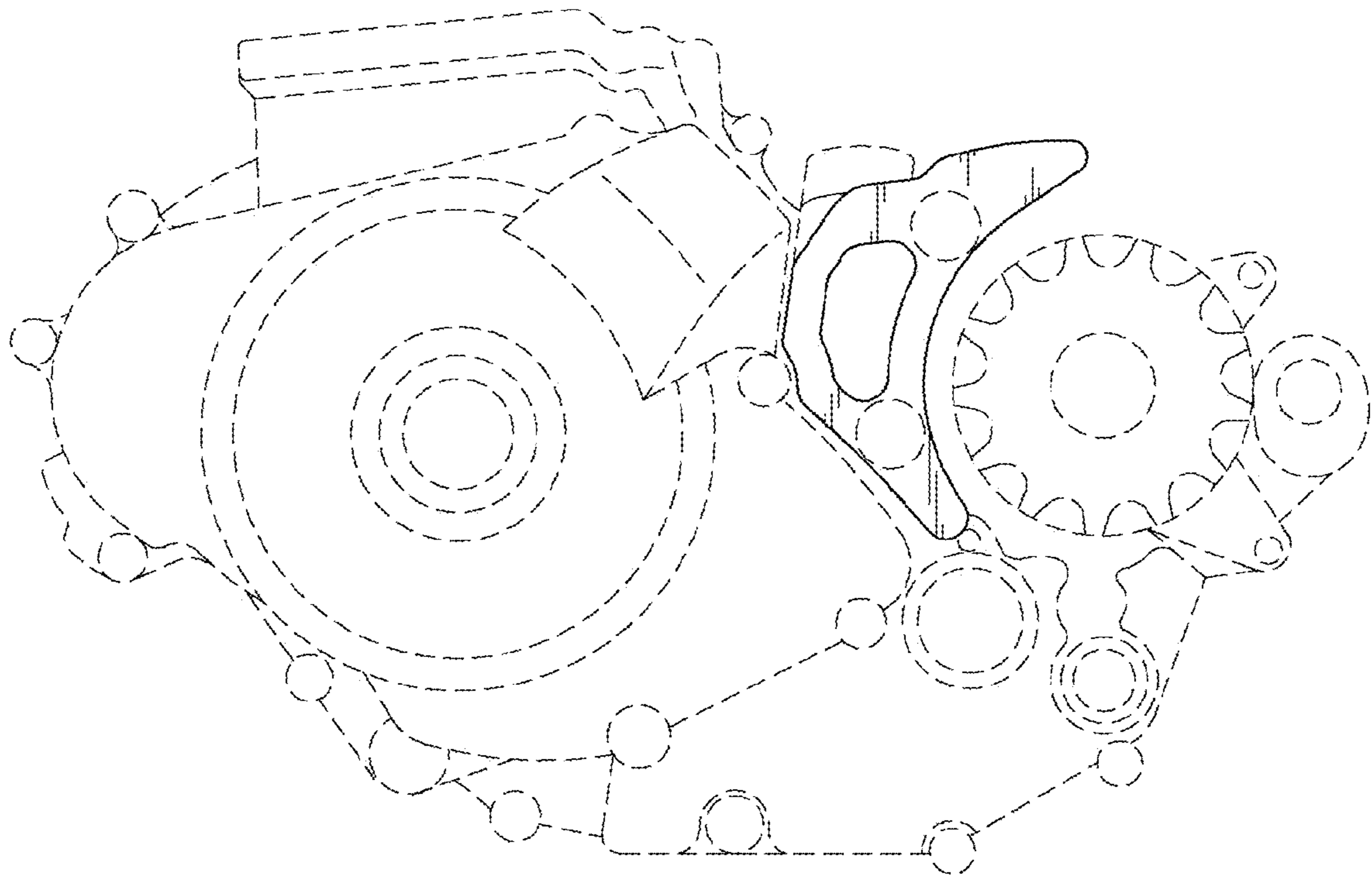
**FIG. 6**



**FIG. 7**



**FIG. 8**



**FIG. 9**