



US00D621843S

(12) **United States Design Patent**  
**Salzedo**

(10) **Patent No.:** **US D621,843 S**

(45) **Date of Patent:** **\*\* Aug. 17, 2010**

(54) **STORAGE DEVICE FOR MOBILE VIDEO VIEWER**

(75) Inventor: **Leonardo Salzedo**, Stockholm (SE)

(73) Assignee: **Sony Ericsson Mobile Communications AB**, Lund (SE)

(\*\*) Term: **14 Years**

(21) Appl. No.: **29/344,159**

(22) Filed: **Sep. 24, 2009**

(30) **Foreign Application Priority Data**

May 12, 2009 (EM) ..... 001136576-0001  
May 12, 2009 (EM) ..... 001136576-0002

(51) **LOC (9) Cl.** ..... **14-02**

(52) **U.S. Cl.** ..... **D14/480.7; D14/480.3; D14/239**

(58) **Field of Classification Search** ..... D14/356, D14/411, 433, 435.1, 436, 137, 155, 167, D14/168, 203.1-203.8, 239, 240, 242, 299, D14/480.1-480.7, 484.1; D3/201, 273; D13/107, D13/108, 149, 184; 710/300, 301; 439/131, 439/135-147; 361/679.31, 679.33, 679.4, 361/752; 711/100, 115

See application file for complete search history.

(56) **References Cited**

**U.S. PATENT DOCUMENTS**

D122,945 S \* 10/1940 Quirk ..... D13/107  
D391,945 S \* 3/1998 Rosen ..... D14/452  
6,243,596 B1 \* 6/2001 Kikinis ..... 455/572  
D447,482 S \* 9/2001 Lin ..... D14/436  
D503,707 S \* 4/2005 Boyer, Jr. .... D14/239  
D541,796 S \* 5/2007 Chen ..... D14/480.7  
D541,797 S \* 5/2007 Chen ..... D14/480.3  
D545,311 S \* 6/2007 Wai ..... D14/356  
D552,592 S \* 10/2007 Deguchi ..... D14/167  
D569,375 S \* 5/2008 Yu et al. .... D14/385  
D593,066 S \* 5/2009 Sheba et al. .... D14/203.1  
D595,223 S \* 6/2009 Yamamoto et al. .... D13/108

D602,941 S \* 10/2009 Lo ..... D14/480.7  
D603,840 S \* 11/2009 Lee et al. .... D14/217  
2003/0128505 A1 \* 7/2003 Yin et al. .... 361/686  
2005/0130468 A1 \* 6/2005 Regen et al. .... 439/131

**OTHER PUBLICATIONS**

Design Registration No. 001077382-0003 [Europe], registered on Jan. 27, 2009.\*

(Continued)

*Primary Examiner*—Cathron C Brooks

*Assistant Examiner*—Karen E Kearney

(74) *Attorney, Agent, or Firm*—Renner, Otto, Boisselle & Sklar, LLP

(57) **CLAIM**

The ornamental design for a storage device for mobile video viewer, as shown and described.

**DESCRIPTION**

FIG. 1 is a perspective view of a storage device for mobile video viewer in a closed position showing my design;

FIG. 2 is a front view thereof;

FIG. 3 is a left side view thereof;

FIG. 4 is a rear view thereof;

FIG. 5 is a right side view thereof;

FIG. 6 is a top view thereof;

FIG. 7 is a bottom view thereof;

FIG. 8 is a perspective view of the storage device for mobile video viewer in an open position;

FIG. 9 is a front view thereof;

FIG. 10 is a rear view thereof;

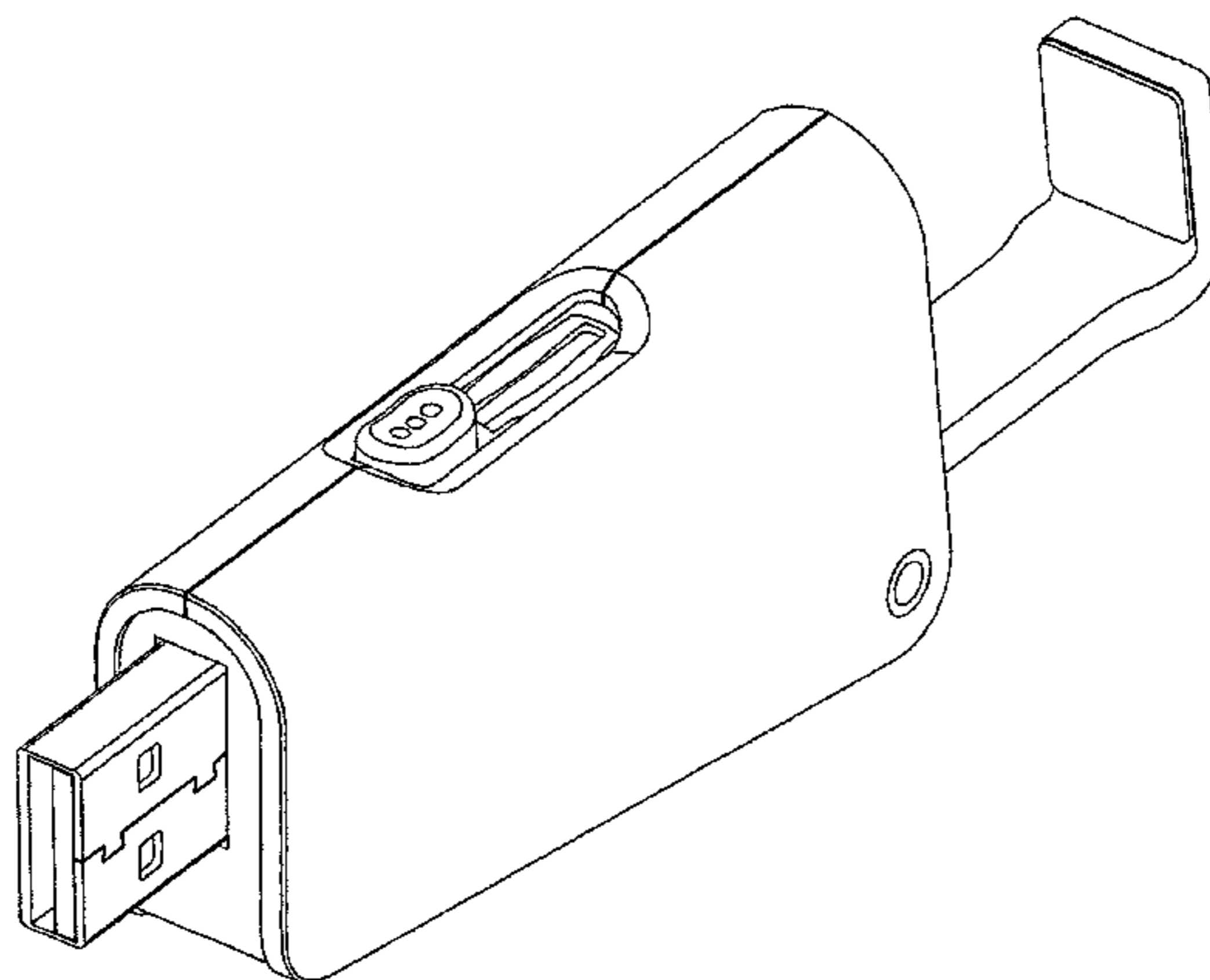
FIG. 11 is a left side view thereof;

FIG. 12 is a right side view thereof;

FIG. 13 is a top view thereof; and,

FIG. 14 is a bottom view thereof.

**1 Claim, 8 Drawing Sheets**



OTHER PUBLICATIONS

Design Registration No. 001014989-0005 [Europe], registered in Oct. 3, 2008.\*  
ericbeare.com, [online], [retrieved on Nov. 14, 2006]. Retrieved from the Internet <URL: [http://www.ericbeare.com/public/Theme19/Large\\_Window.asp?page=1&ProductID=A%2D0579](http://www.ericbeare.com/public/Theme19/Large_Window.asp?page=1&ProductID=A%2D0579)>.\*

Sony Ericsson—Products—Accessories—Overview—IM920, [online], [retrieved on Nov. 10, 2009]. Retrieved from the Internet <URL: <http://www.sonyericsson.com/cws/products/accessories/overview/im920?undefined>>.\*

\* cited by examiner

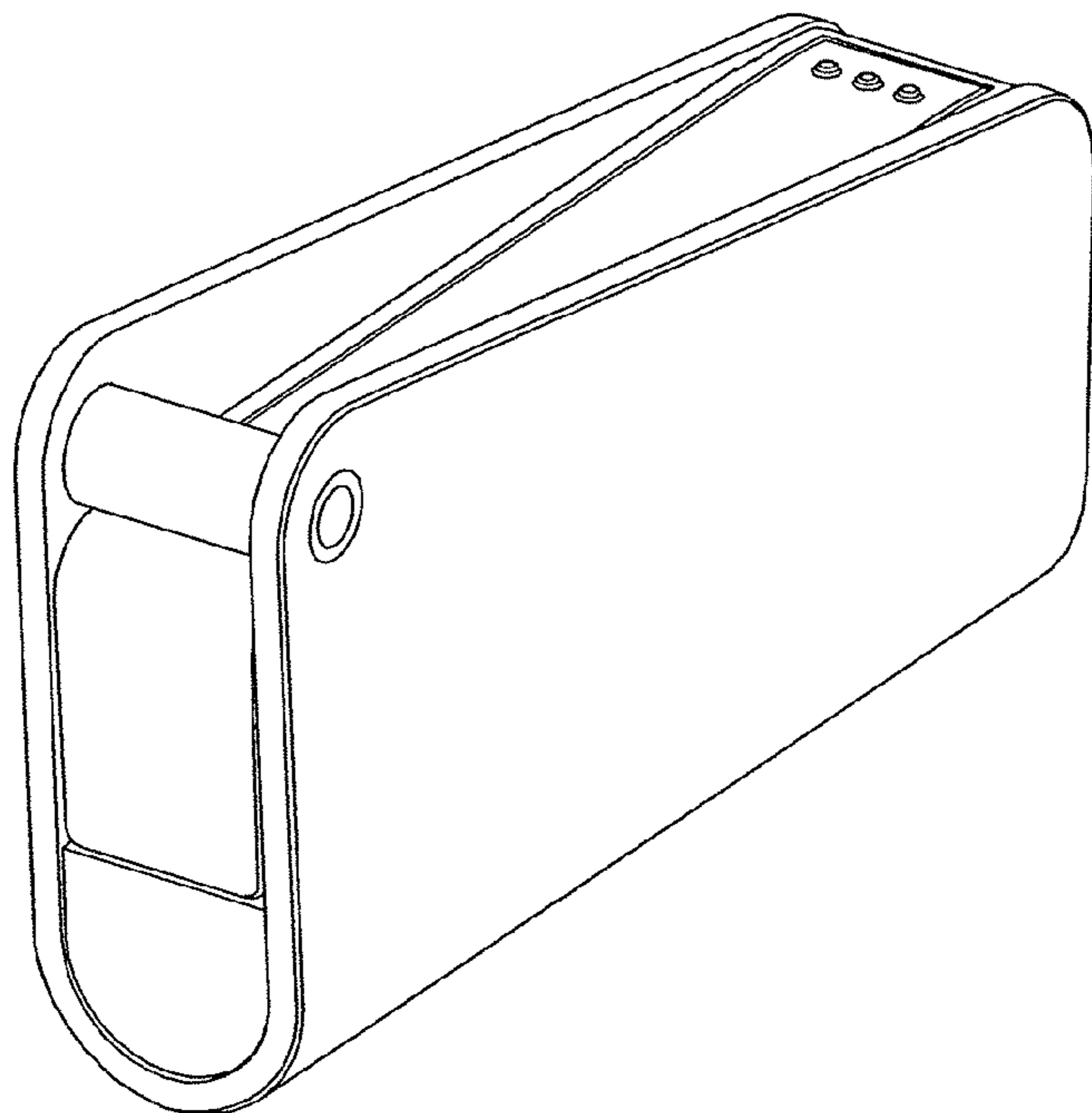


FIG. 1

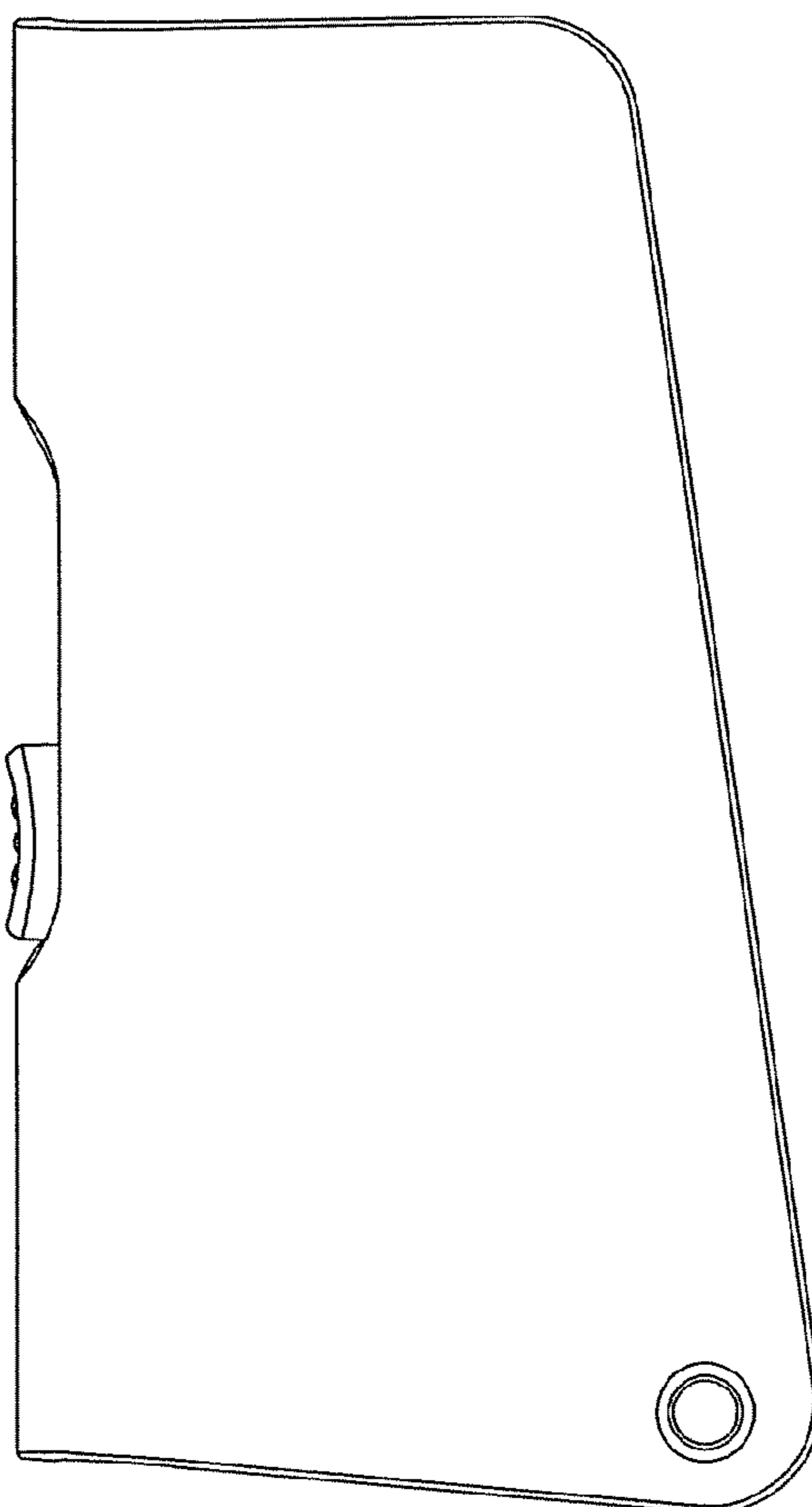


FIG. 2

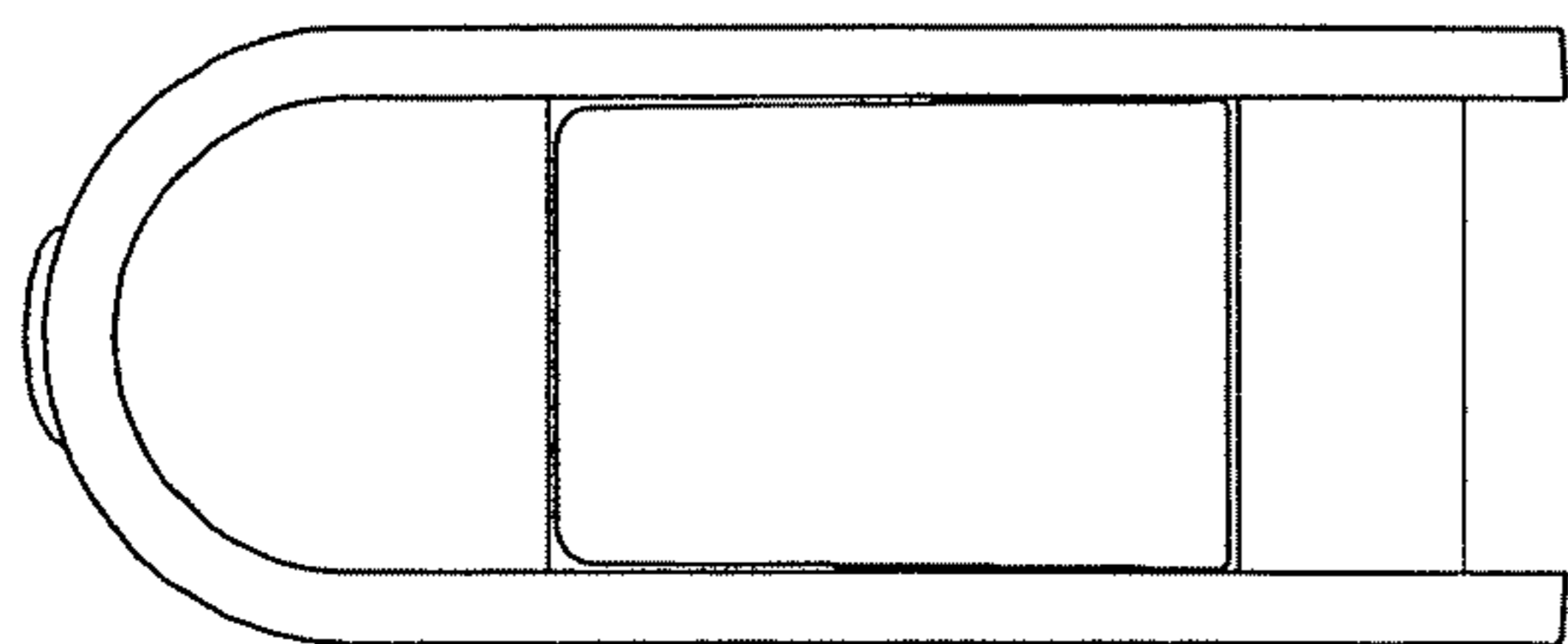


FIG. 3

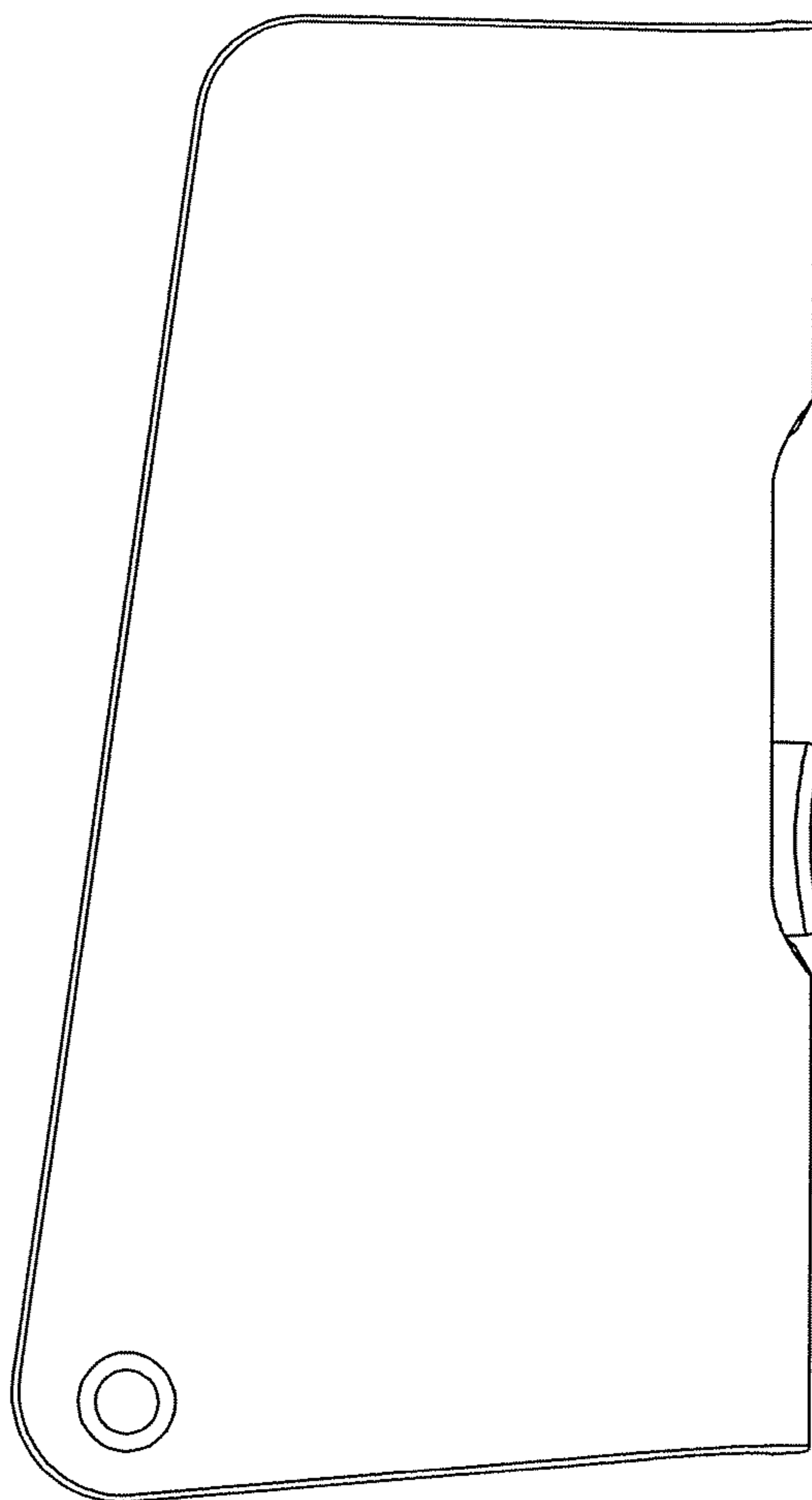


FIG. 4

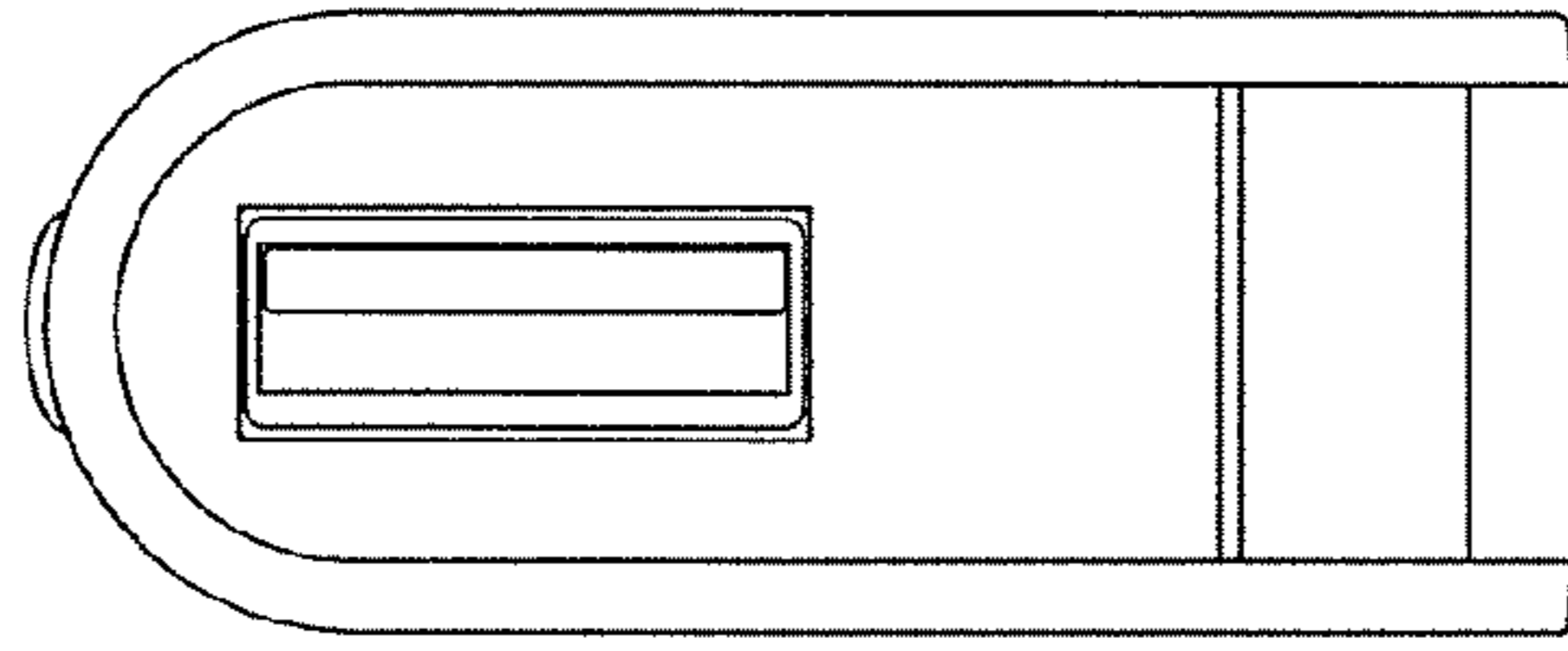


FIG. 5

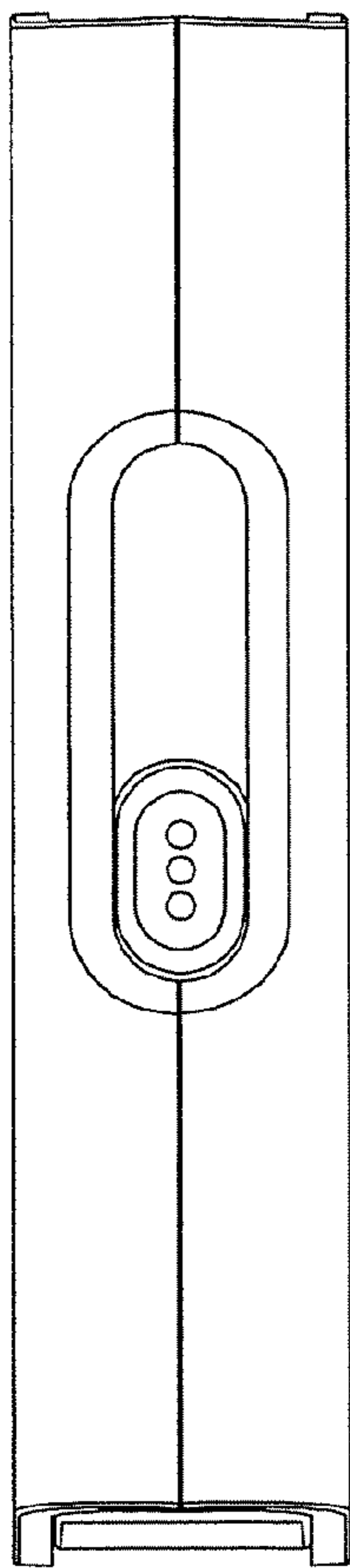


FIG. 6

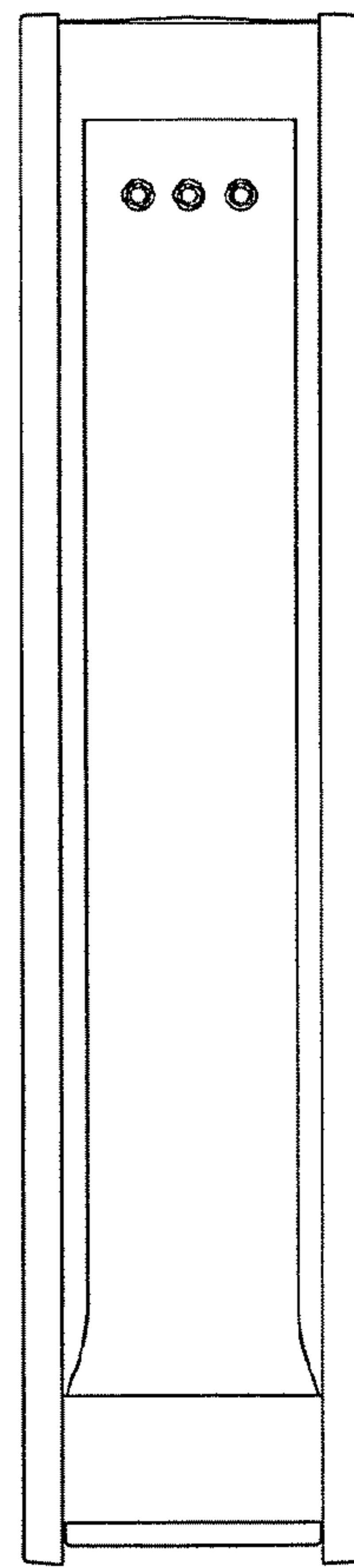


FIG. 7

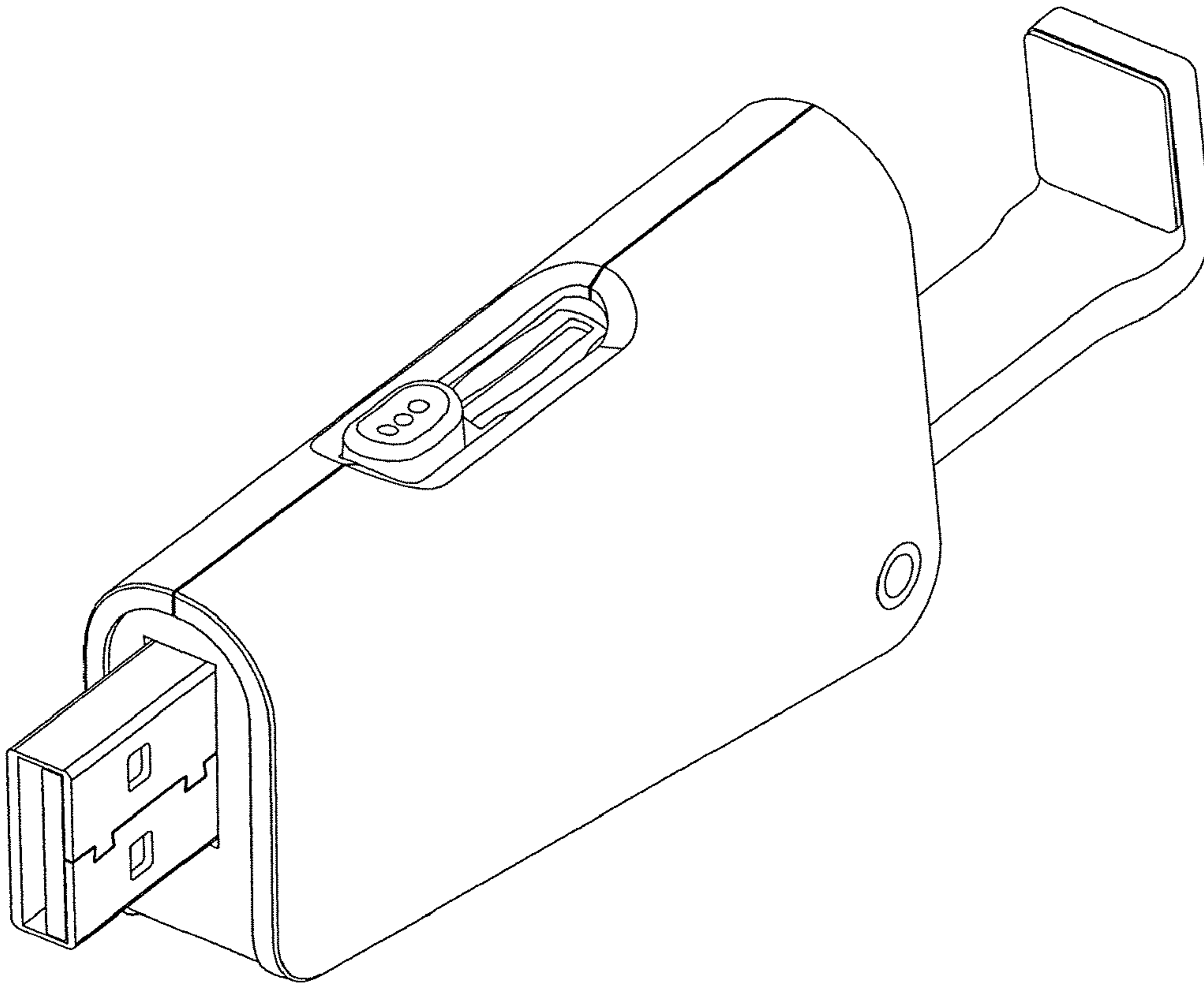


FIG. 8

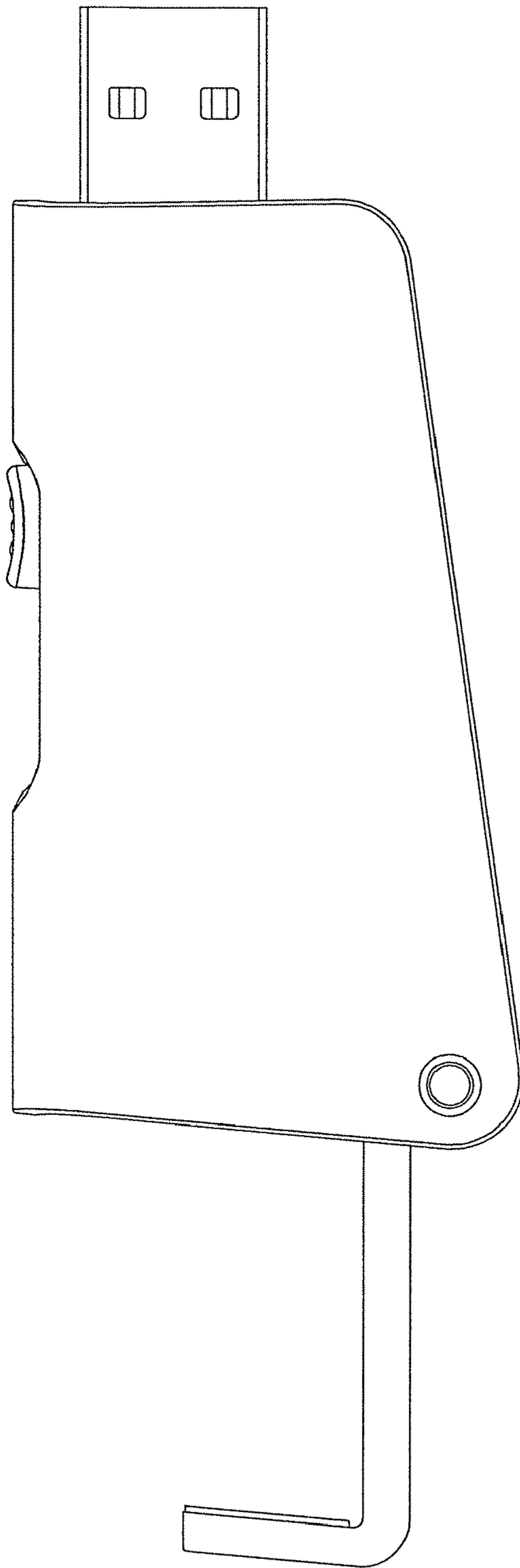


FIG. 9



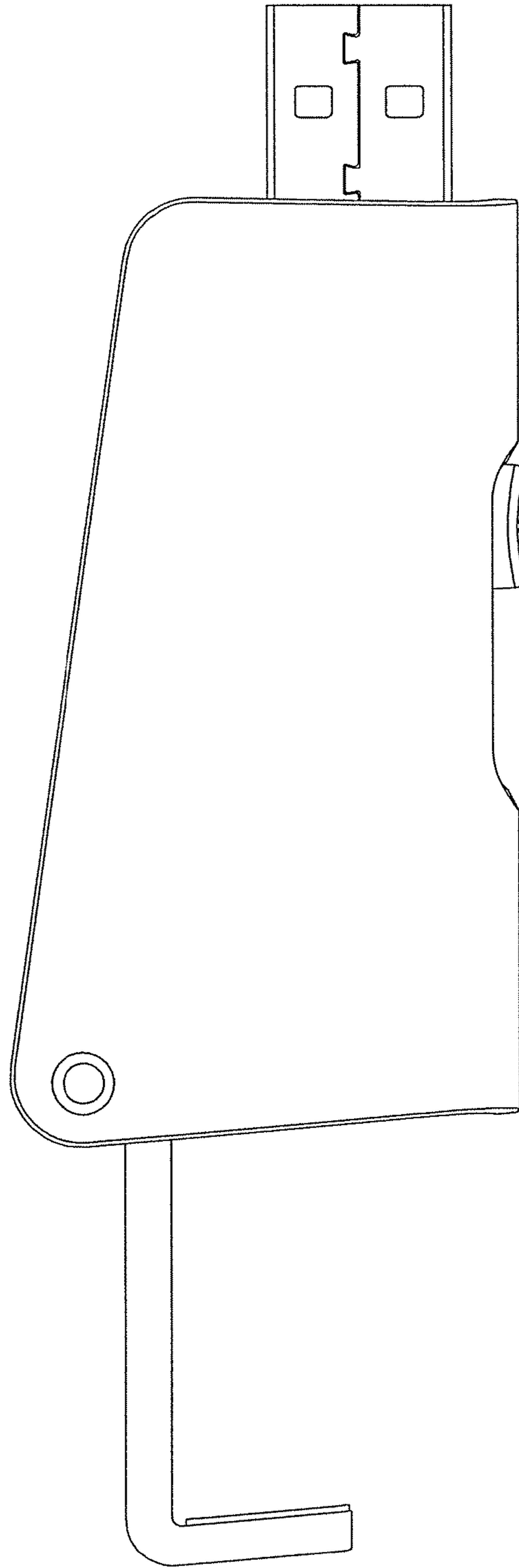


FIG. 10



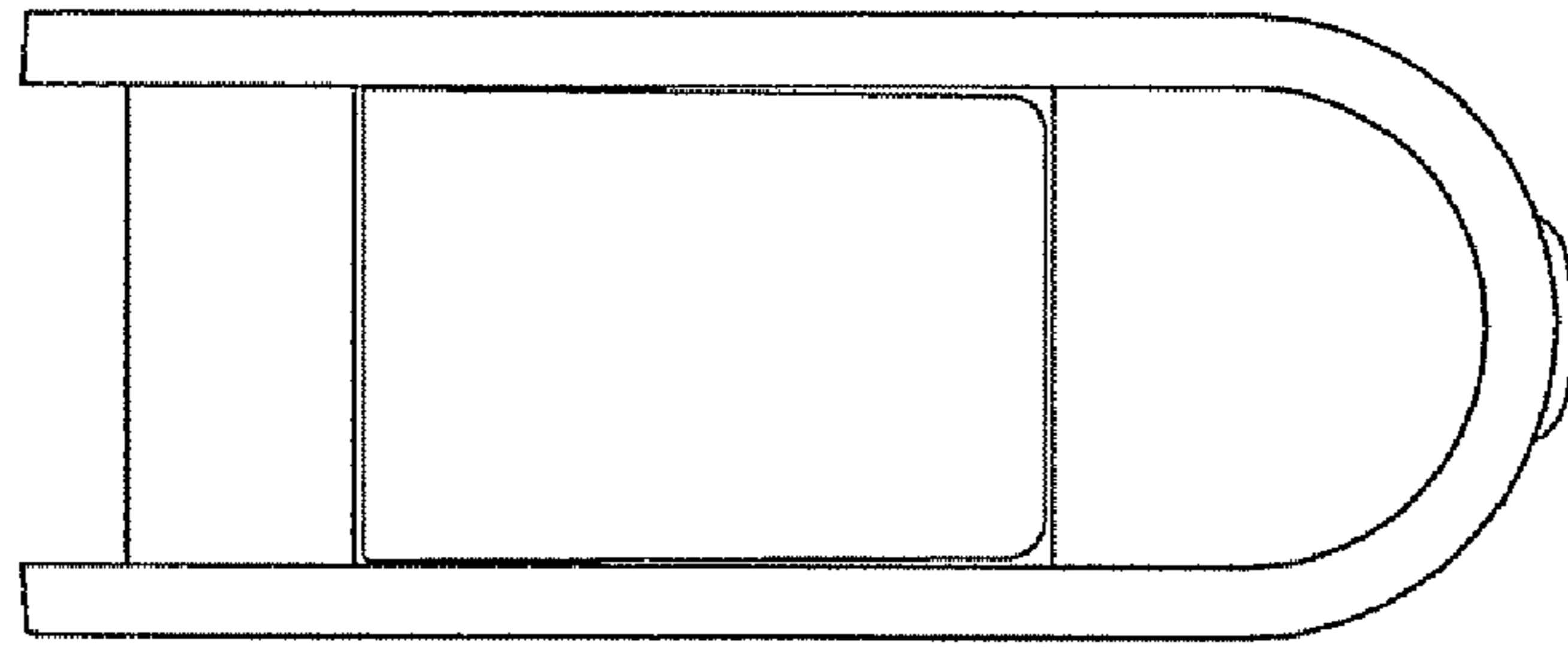


FIG. 11

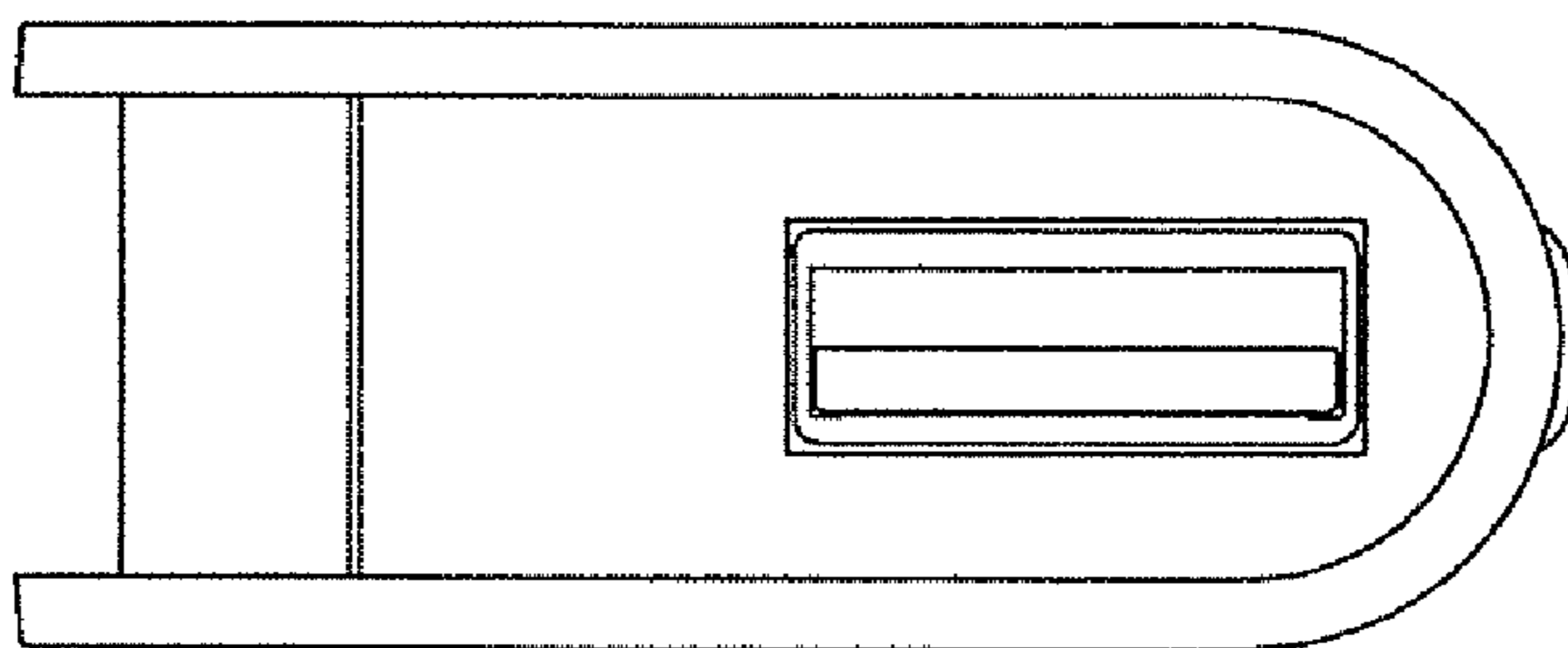


FIG. 12

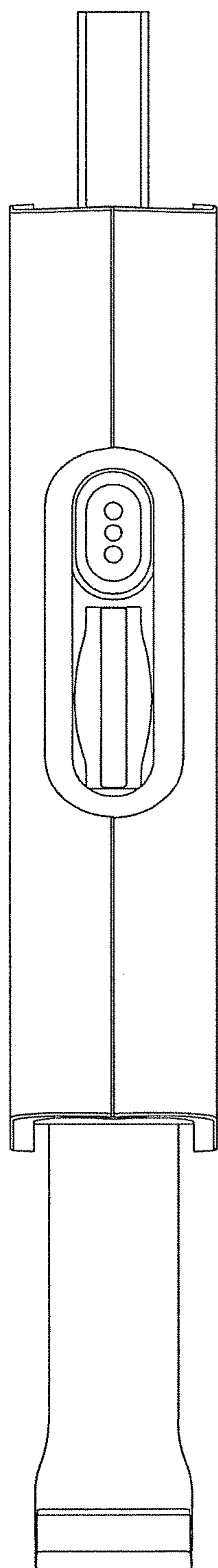


FIG. 13

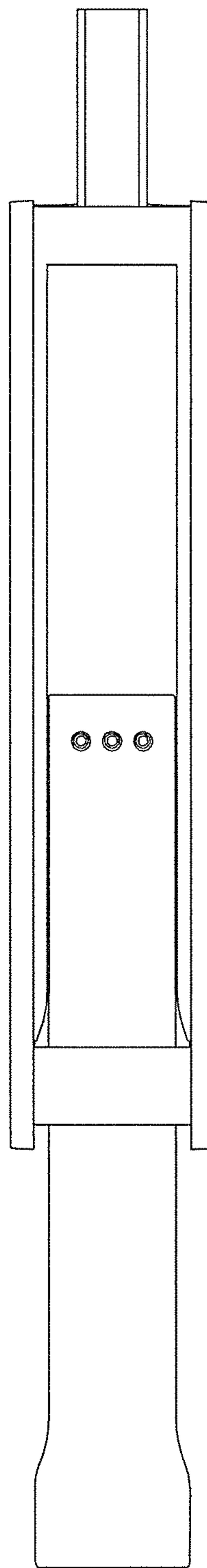


FIG. 14