



US00D621842S

(12) **United States Design Patent**
Sapper

(10) **Patent No.:** US **D621,842 S**
(45) **Date of Patent:** ** **Aug. 17, 2010**

(54) **SUPPORT ARM**

FOREIGN PATENT DOCUMENTS

(75) Inventor: **Richard Sapper**, Milan (IT)

GB 2 440 606 2/2008

(73) Assignee: **Knoll, Inc.**, East Greenville, PA (US)

(Continued)

(**) Term: **14 Years**

OTHER PUBLICATIONS

(21) Appl. No.: **29/346,601**

Herman Miller website materials showing products sold under the Herman Miller trade name, date of publication unknown but prior to filing of the patent application.

(22) Filed: **Nov. 3, 2009**

(Continued)

Related U.S. Application Data

(62) Division of application No. 29/331,178, filed on Jan. 21, 2009, now Pat. No. Des. 606,548.

Primary Examiner—Jennifer Rivard
Assistant Examiner—Angela J Lee

(51) **LOC (9) Cl.** **08-07**

(52) **U.S. Cl.** **D14/452**

(58) **Field of Classification Search** D14/451,
D14/452, 447, 448, 457, 239, 251, 253, 224,
D14/224.1, 432, 439; D8/354, 363, 373,
D8/380; D6/449, 512; D10/74; D12/415;
248/917, 918, 919, 920, 921, 922, 923, 924,
248/675, 122.1, 176.1, 176.3, 324, 222.51,
248/222.52, 223.31, 229.1, 229.15, 230.6,
248/230.7, 276.1, 281.11; 361/679.06, 679.07,
361/679.21, 679.22, 825, 679.55, 679.56
See application file for complete search history.

(74) *Attorney, Agent, or Firm*—Buchanan Ingersoll & Rooney PC

(57) **CLAIM**

The ornamental design for a support arm, as shown and described.

DESCRIPTION

FIG. 1 is a perspective view of my support arm;
FIG. 2 is a front elevational view thereof;
FIG. 3 is a top plan view thereof;
FIG. 4 is a rear elevational view thereof;
FIG. 5 is a bottom plan view thereof;
FIG. 6 is a left side elevational view thereof; and,
FIG. 7 is a right side elevational view thereof.

The Allen wrench attached to the mounting plate of the support arm shown in broken lines in FIGS. 3, 4, 5, 6, and 7 form no part of the claimed design. Also, recesses formed in the mounting plate shown in broken lines in FIGS. 1 and 2 form no part of the claimed design. Further, the ribbing shown in broken lines in FIG. 5 forms no part of the claimed design.

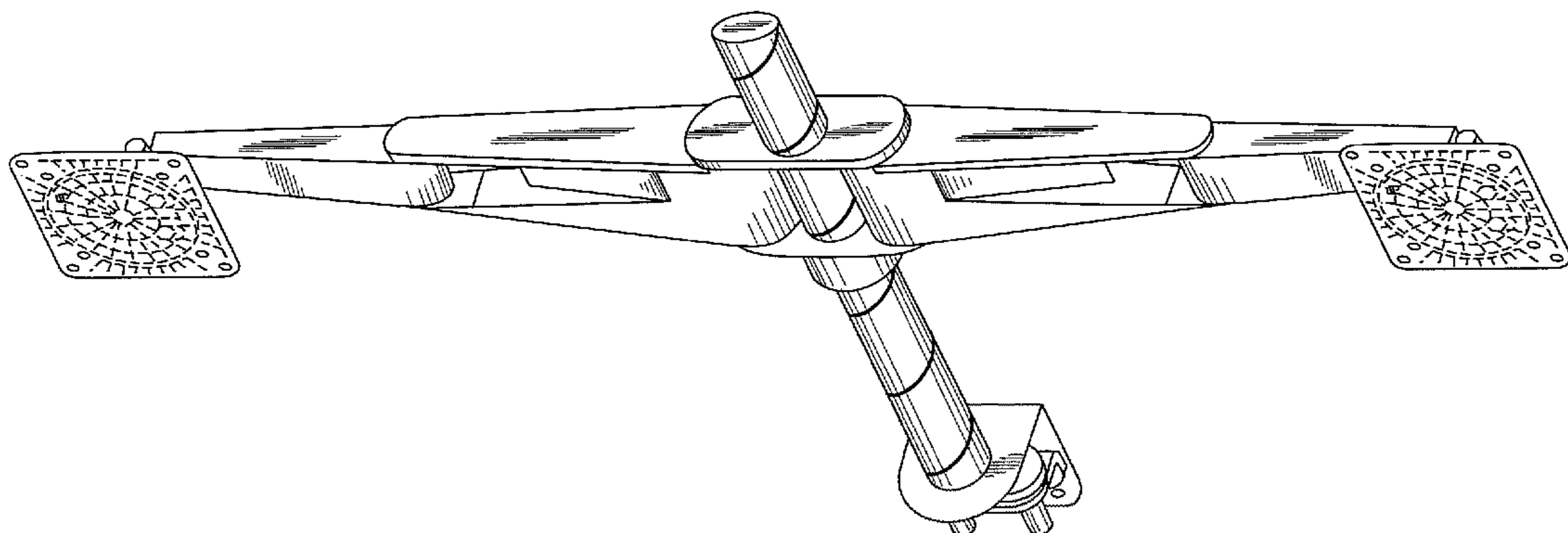
(56) **References Cited**

U.S. PATENT DOCUMENTS

- 5,553,820 A 9/1996 Karten et al.
- 5,992,809 A 11/1999 Sweere et al.
- D430,570 S * 9/2000 Lee D14/451
- 6,499,704 B2 12/2002 Oddsen, Jr.
- 6,505,988 B1 1/2003 Oddsen, Jr.
- 6,554,235 B1 4/2003 Fortier
- 6,554,238 B1 4/2003 Hibberd
- 6,679,090 B1 1/2004 Finch, Jr.
- 6,739,096 B2 5/2004 Feldpausch et al.

(Continued)

1 Claim, 7 Drawing Sheets



US D621,842 S

Page 2

U.S. PATENT DOCUMENTS

6,863,252 B2 3/2005 Bosson
D503,719 S * 4/2005 Lin D14/452
6,905,101 B1 6/2005 Dittmer
D518,063 S 3/2006 Piazza et al.
7,014,157 B2 3/2006 Oddsen
D522,009 S 5/2006 Chen
7,048,242 B2 5/2006 Oddsen, Jr.
D537,323 S 2/2007 Saez
7,182,301 B1 2/2007 Oddsen, Jr. et al.
7,195,215 B2 3/2007 Lin
7,246,780 B2 7/2007 Oddsen, Jr.
7,252,277 B2 8/2007 Sweere et al.
7,264,212 B2 9/2007 Hung
D563,399 S 3/2008 Wohlford et al.
D568,325 S 5/2008 Muday et al.
7,369,401 B1 * 5/2008 Floersch et al. 361/679.27
7,389,965 B2 6/2008 Oddsen, Jr. et al.
7,395,995 B2 7/2008 Chen
D584,734 S 1/2009 Chu
D593,104 S * 5/2009 Gillespie D14/451
2002/0011544 A1 * 1/2002 Bosson 248/121
2003/0075653 A1 4/2003 Li
2003/0231460 A1 12/2003 Moscovitch
2004/0011938 A1 * 1/2004 Oddsen, Jr. 248/393

2005/0133678 A1 6/2005 Dittmer
2005/0224682 A1 * 10/2005 Ishizaki et al. 248/455
2005/0284991 A1 * 12/2005 Saez 248/122.1
2005/0284997 A1 12/2005 Tisbo et al.
2006/0266909 A1 11/2006 Oddsen, Jr. et al.
2007/0205340 A1 * 9/2007 Jung 248/125.9
2008/0029661 A1 * 2/2008 Chen 248/176.1
2008/0164395 A1 7/2008 Chang et al.
2008/0237439 A1 10/2008 Oddsen
2009/0090831 A1 4/2009 Henning et al.

FOREIGN PATENT DOCUMENTS

WO WO 2007/118862 10/2007
WO WO 2007/137905 12/2007
WO WO 2008/012368 1/2008
WO WO 2008/022873 2/2008
WO WO 2008/091998 7/2008
WO WO 2008/113860 9/2008

OTHER PUBLICATIONS

Steelcase website materials showing products sold under the Steelcase trade name, date of publication unknown but prior to the filing of the patent application.

* cited by examiner

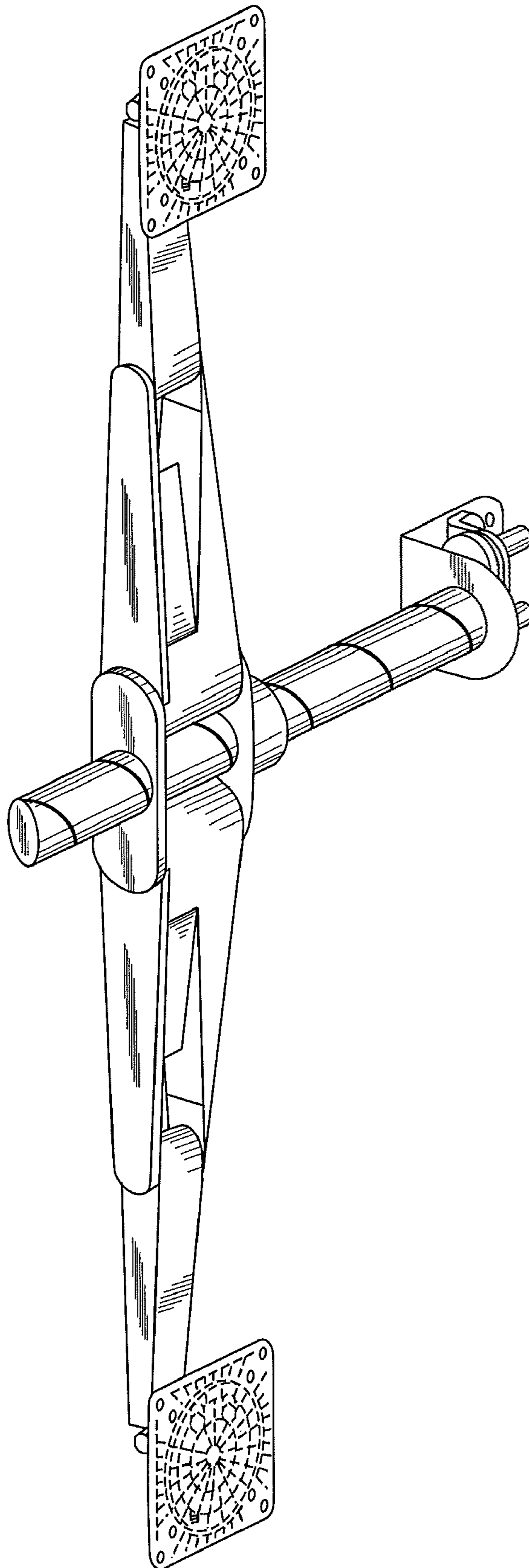


FIG. 1

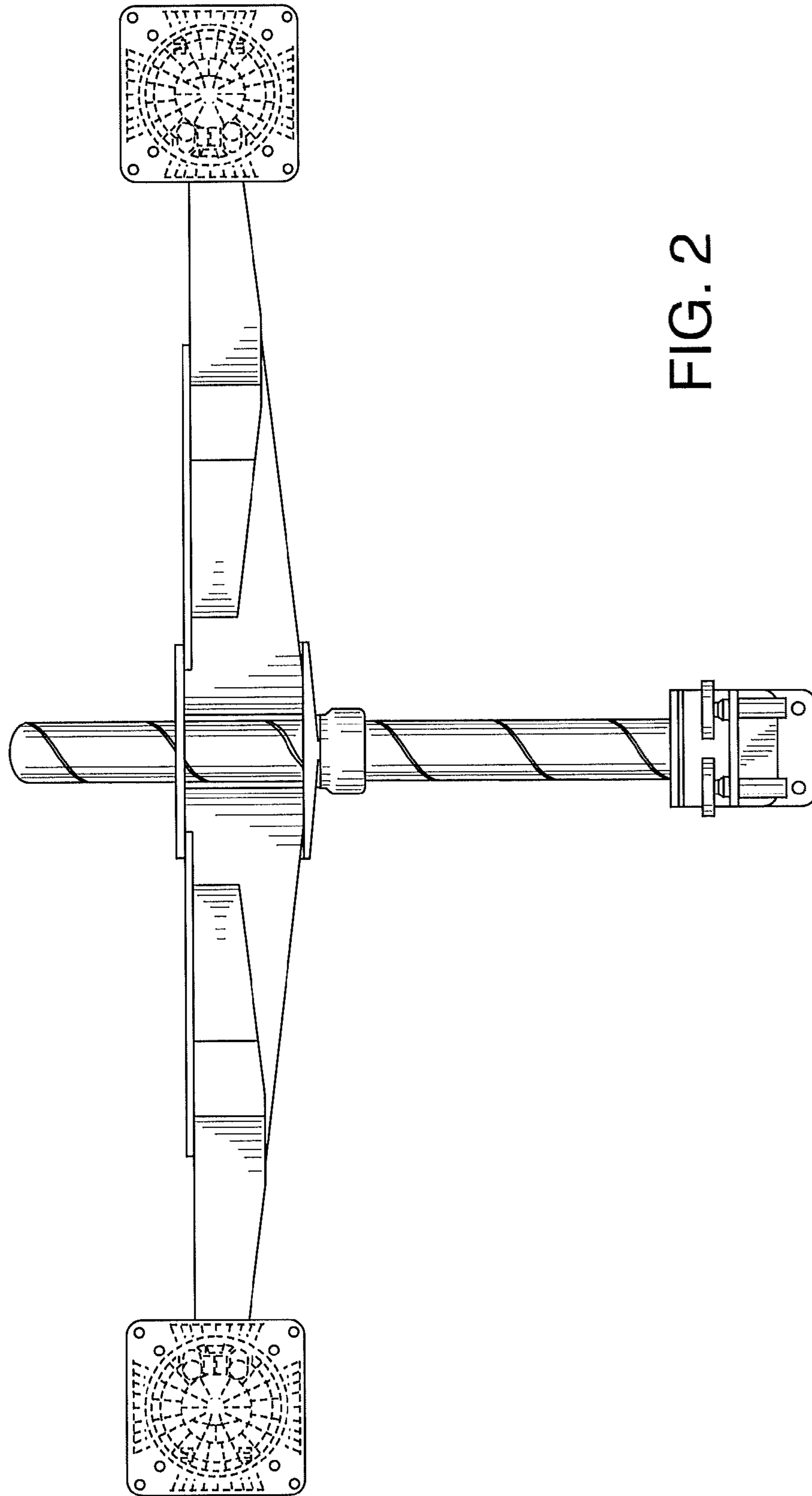


FIG. 2

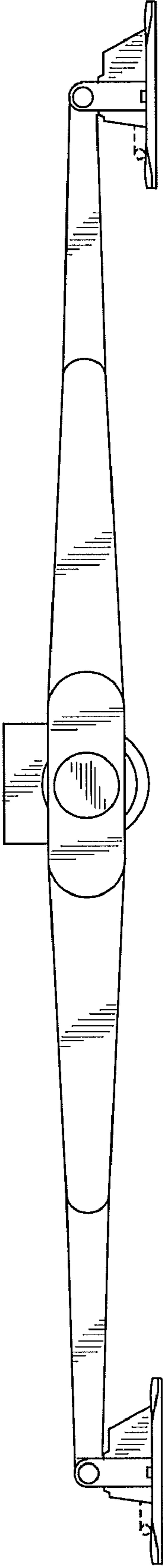


FIG. 3

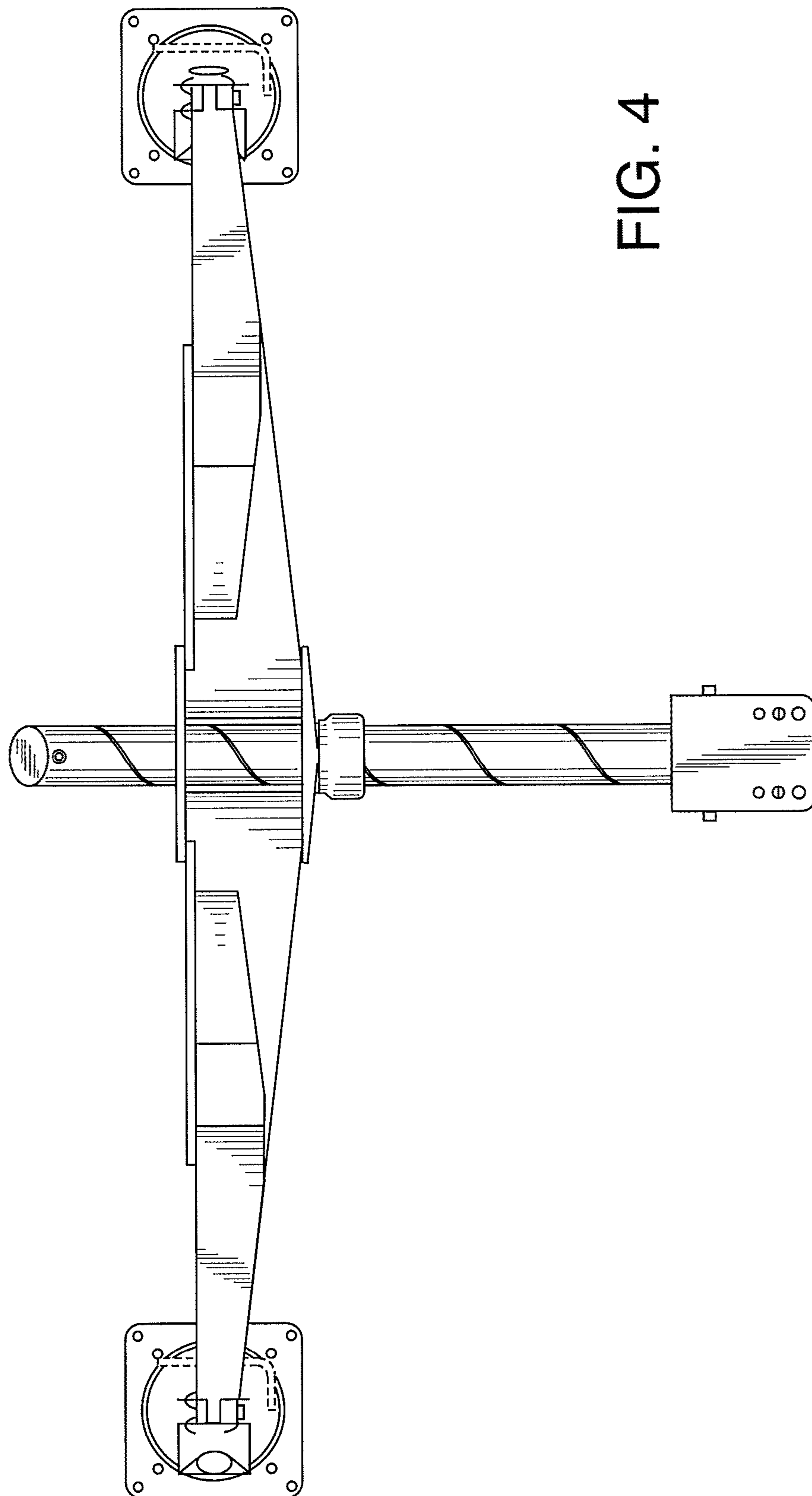


FIG. 4

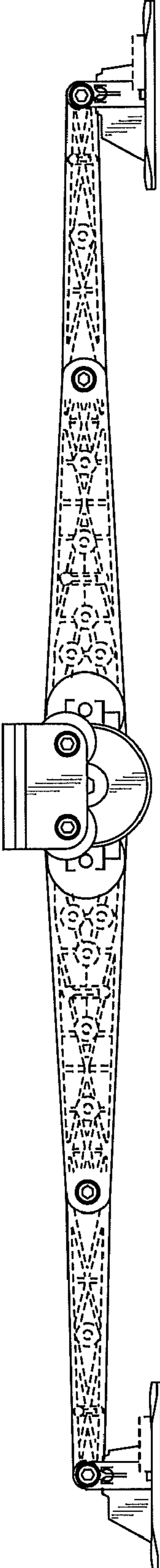


FIG. 5

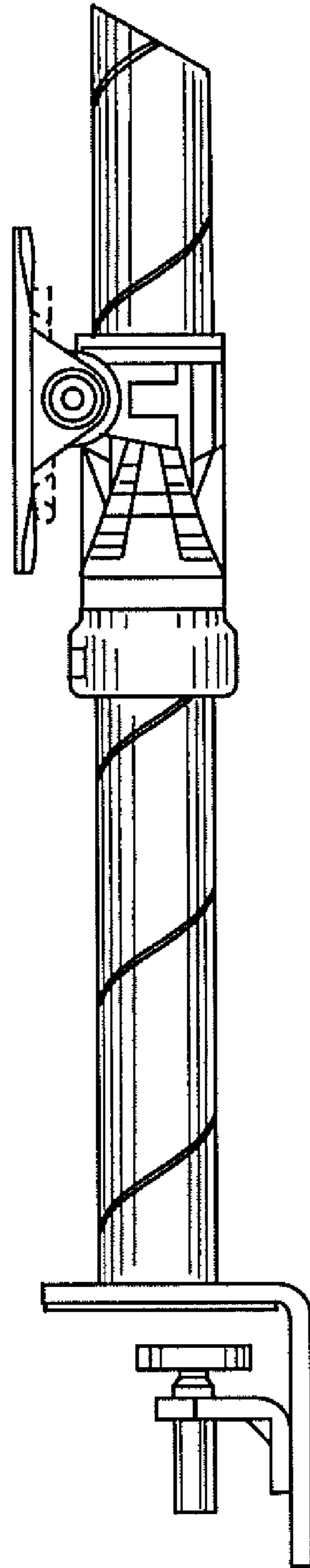


FIG. 6

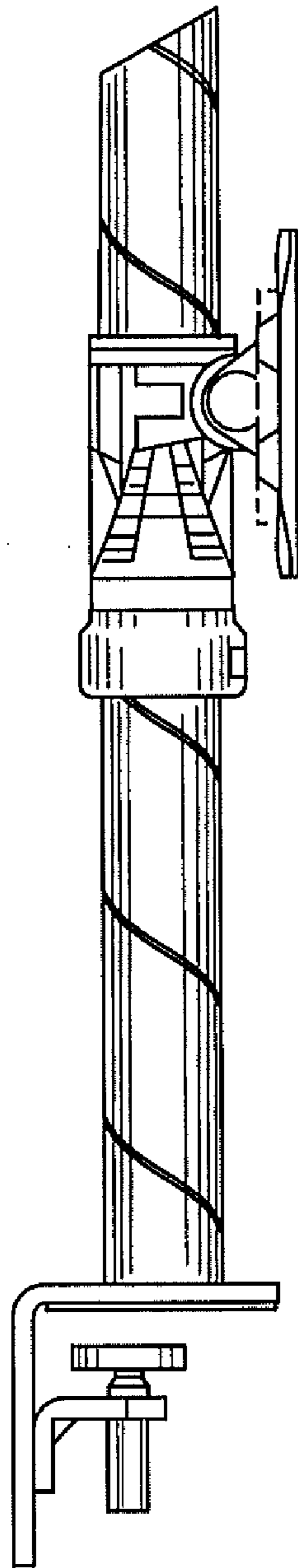


FIG. 7