



US00D621841S

(12) **United States Design Patent**
Andre et al.

(10) **Patent No.:** **US D621,841 S**

(45) **Date of Patent:** **** Aug. 17, 2010**

(54) **COMPUTER**

(75) Inventors: **Bartley K. Andre**, Menlo Park, CA (US); **Daniel J. Coster**, San Francisco, CA (US); **Daniele De Iuliis**, San Francisco, CA (US); **Richard P. Howarth**, San Francisco, CA (US); **Jonathan P. Ive**, San Francisco, CA (US); **Steve Jobs**, Palo Alto, CA (US); **Duncan Robert Kerr**, San Francisco, CA (US); **Shin Nishibori**, Portola Valley, CA (US); **Matthew Dean Rohrbach**, San Francisco, CA (US); **Peter Russell-Clarke**, San Francisco, CA (US); **Douglas B. Satzger**, Menlo Park, CA (US); **Calvin Q. Seid**, Palo Alto, CA (US); **Vincent Keane Seid**, legal representative, Los Gatos, CA (US); **Christopher J. Stringer**, Woodside, CA (US); **Eugene Antony Whang**, San Francisco, CA (US); **Rico Zorkendorfer**, San Francisco, CA (US)

(73) Assignee: **Apple Inc.**, Cupertino, CA (US)

(**) Term: **14 Years**

(21) Appl. No.: **29/289,876**

(22) Filed: **Aug. 2, 2007**

(51) **LOC (9) Cl.** **14-02**

(52) **U.S. Cl.** **D14/448**

(58) **Field of Classification Search** D14/448, D14/449, 450, 451, 452, 457, 447, 439, 440, D14/441, 432, 336, 337, 371, 372, 373, 374, D14/375, 376, 377, 378, 379, 380, 381, 382, D14/125, 126, 127, 129, 133, 239, 251, 252, D14/253, 305, 307, 335, 340, 339; D6/300, D6/308, 310, 312, 313, 314, 449, 512; D8/353; 40/700; 345/905; 348/184, 739, 761, 766, 348/789, 790, 794, 825, 836, 840; 349/58, 349/60; 248/917, 918, 919, 920, 921, 922, 248/923, 924

See application file for complete search history.

(56) **References Cited**

U.S. PATENT DOCUMENTS

D294,262 S 2/1988 Thies et al.
D308,373 S * 6/1990 Shimizu D14/126
D364,840 S * 12/1995 Oshizawa et al. D12/192

(Continued)

OTHER PUBLICATIONS

Macworld, Apr. 2006, cover, pp. 51 and 64-70.*

(Continued)

Primary Examiner—Jennifer Rivard
Assistant Examiner—Angela J Lee
(74) *Attorney, Agent, or Firm*—SAIDMAN DesignLaw Group

(57) **CLAIM**

The ornamental design for a computer, as shown and described.

DESCRIPTION

FIG. 1 is a front perspective view of a computer showing our new design;

FIG. 2 is a left side view thereof;

FIG. 3 is a right side view thereof;

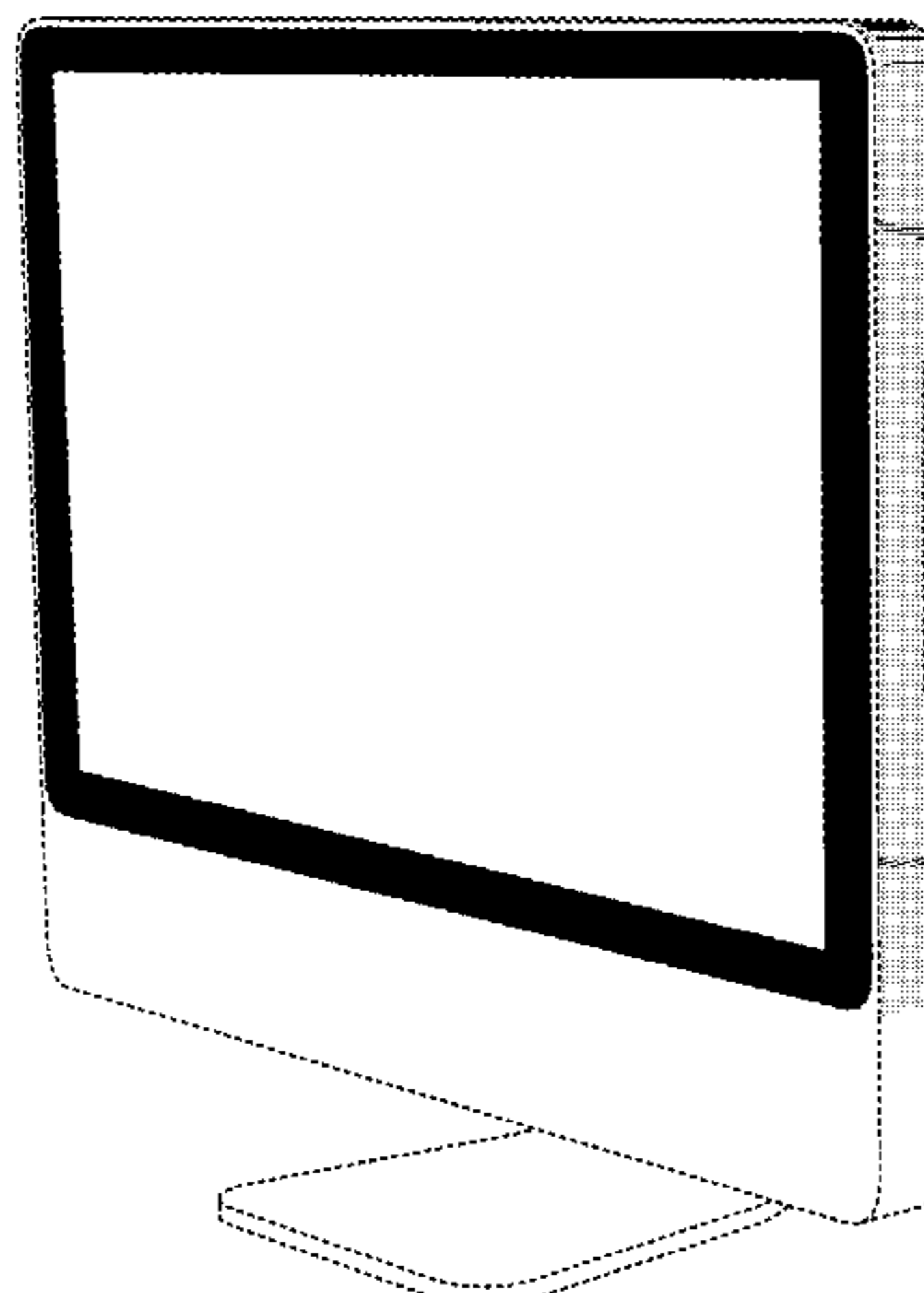
FIG. 4 is a top view thereof;

FIG. 5 is a bottom view thereof; and,

FIG. 6 is a rear perspective view thereof.

The gray shading in FIGS. 1-6 represents a metallic-looking surface. It is understood that the ends of the gray shading along the sides of the computer in FIGS. 1-3 and 6 represent the bounds of the claimed design. The black screen border represents a periphery portion of the screen which is black. The broken lines are environmental only and form no part of the claimed design.

1 Claim, 4 Drawing Sheets



US D621,841 S

Page 2

U.S. PATENT DOCUMENTS

D366,473 S * 1/1996 Behar D14/382
D412,892 S * 8/1999 Lee D14/375
D413,320 S * 8/1999 Kelley et al. D14/450
D428,415 S 7/2000 Shibata
D432,101 S 10/2000 Oba
D434,763 S 12/2000 Jobs et al.
D446,516 S * 8/2001 Tadayon et al. D14/336
D446,519 S * 8/2001 Wu D14/375
D451,096 S * 11/2001 Redmond D14/343
D453,022 S 1/2002 Oba
D456,023 S 4/2002 Andre et al.
D461,818 S * 8/2002 Goto D14/451
D464,049 S 10/2002 Goto
D476,335 S 6/2003 Miao et al.
D482,338 S * 11/2003 Kabasawa et al. D14/129
D486,486 S 2/2004 Jobs et al.
D488,139 S 4/2004 Takami et al.
D491,901 S 6/2004 Chin et al.
D494,971 S 8/2004 Jobs et al.
D495,332 S 8/2004 Jobs et al.
D496,009 S * 9/2004 Takahashi et al. D14/126
D496,040 S 9/2004 Jobs et al.
D529,913 S * 10/2006 Chen et al. D14/375
D531,631 S 11/2006 Andre et al.
D532,011 S 11/2006 Andre et al.
D541,770 S * 5/2007 Lee D14/126

D541,799 S * 5/2007 Andre et al. D14/375
D545,820 S * 7/2007 Won et al. D14/375
D549,676 S * 8/2007 Pelletier D14/130
D555,120 S * 11/2007 Shih et al. D14/126
D555,666 S * 11/2007 Hussaini et al. D14/496
D558,698 S * 1/2008 Chu D14/126
D565,527 S * 4/2008 Riggs D14/129
D569,864 S * 5/2008 Chen D14/337
D576,580 S * 9/2008 Olivet D14/126
D576,972 S * 9/2008 Niitsu D14/126
D582,917 S * 12/2008 Wada D14/371
2003/0128503 A1 * 7/2003 Takahashi 361/681

OTHER PUBLICATIONS

MacWorld magazine, Jun. 2007, cover.
Dell, Dell Introduces 19-Inch Flat Panel Monitor, www.dell.com, Feb. 26, 2002, Dell Computer Corporation.
Dell, Front View: Dell 1900FP Flat Panel Color Monitor User's Guide, <http://support.dell.com>, at least as early as Feb. 26, 2002.
Photographs of Dell 1900FP Flat Panel Monitor, released Feb. 26, 2002.
Photographs of Mac mini desktop computer, released Jan. 2005.
Photographs of Apple TV streaming media player, released Mar. 2007.
Appendix in U.S. Appl. No. 29/201,636 entitled "Electronic Device" filed Mar. 17, 2004, now USPN D504,889.

* cited by examiner

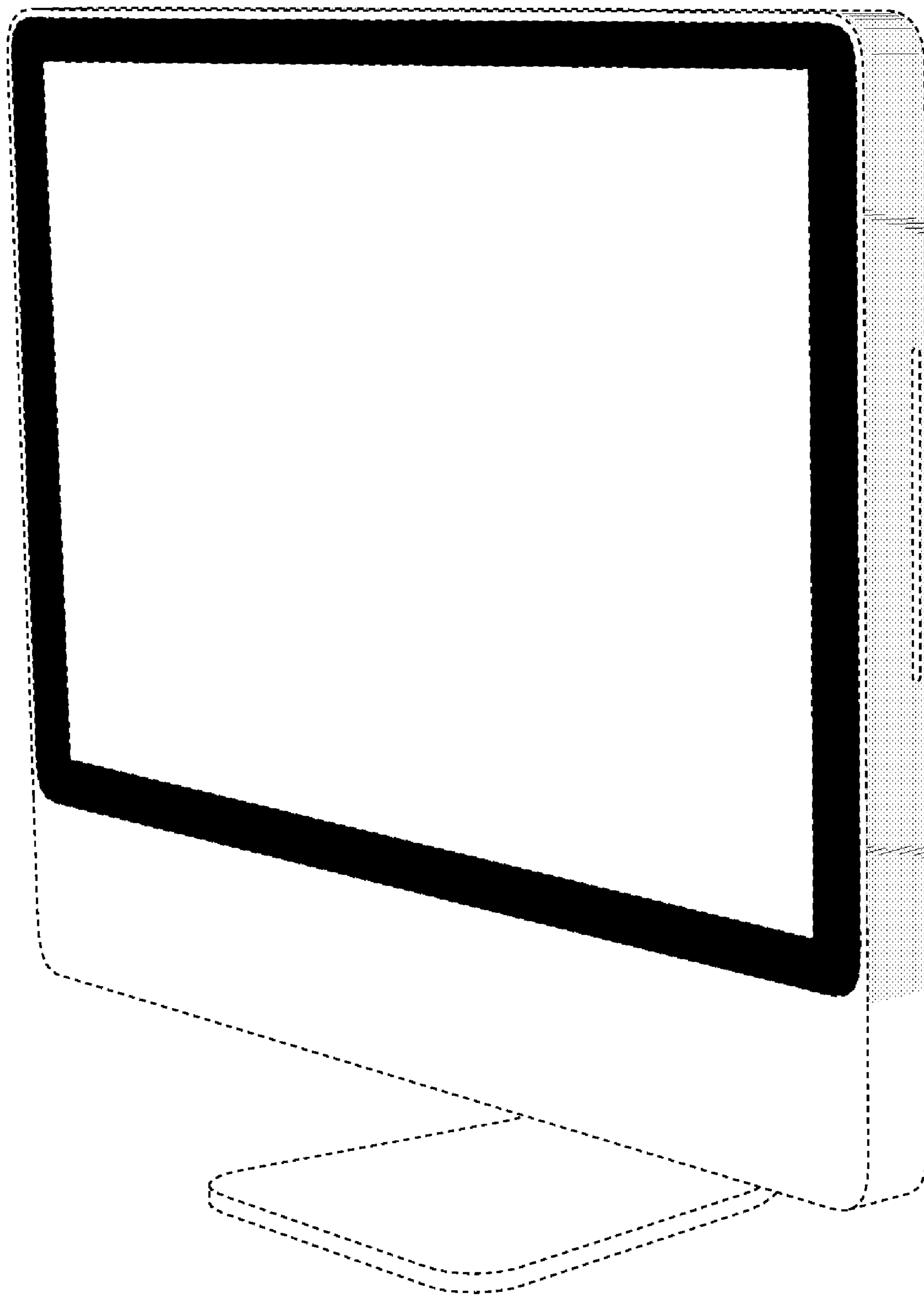


Fig. 1

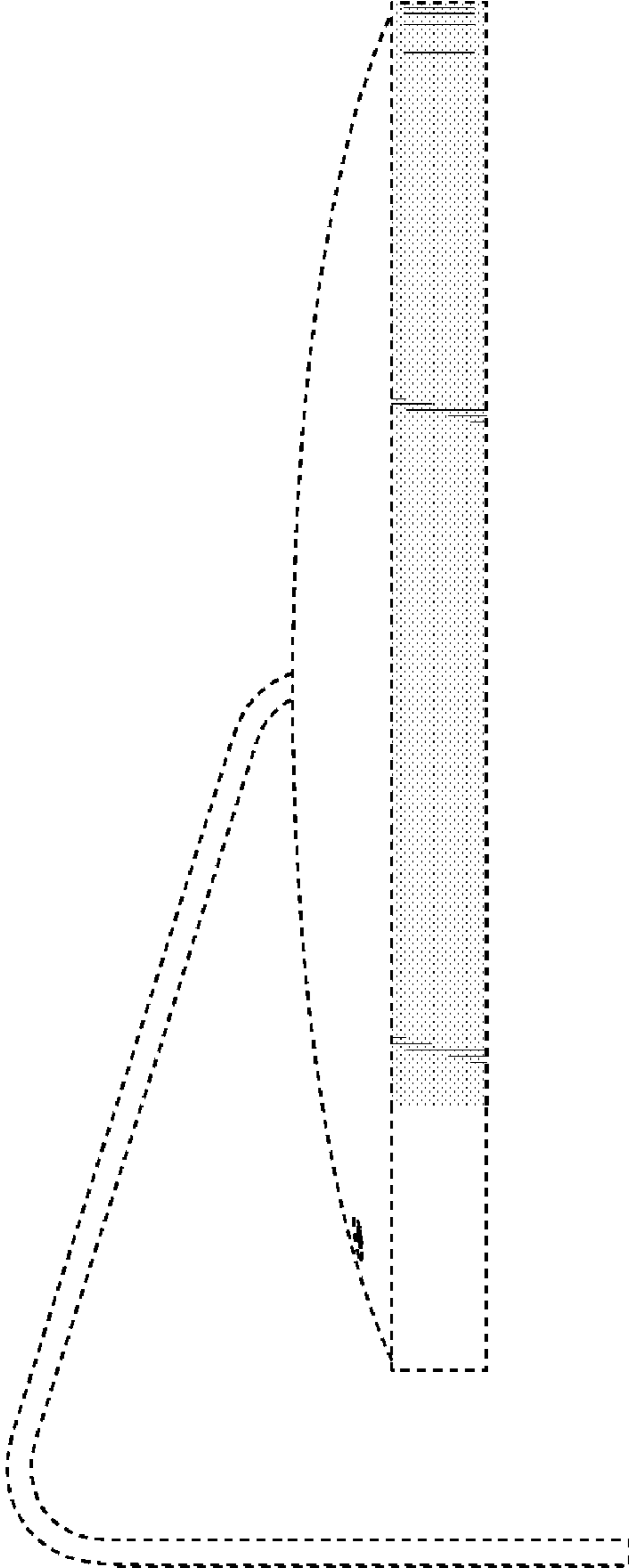


Fig. 2

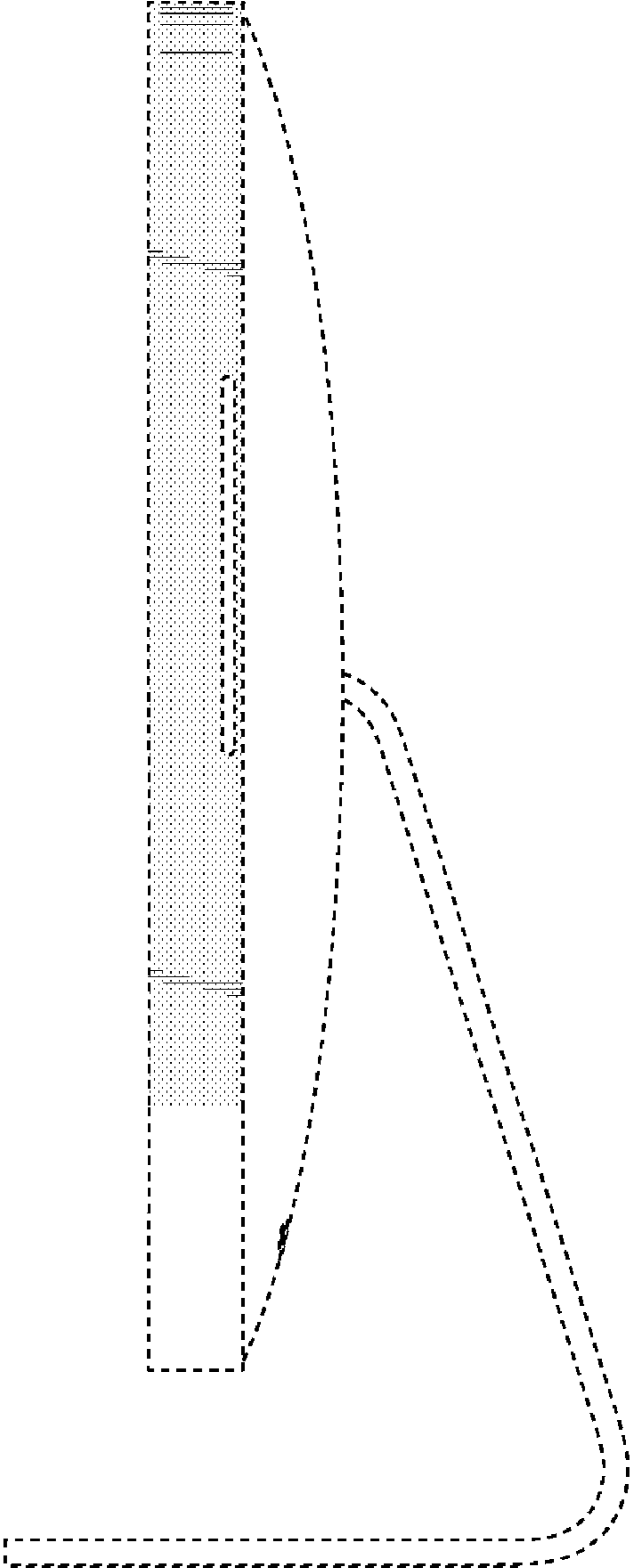


Fig. 3

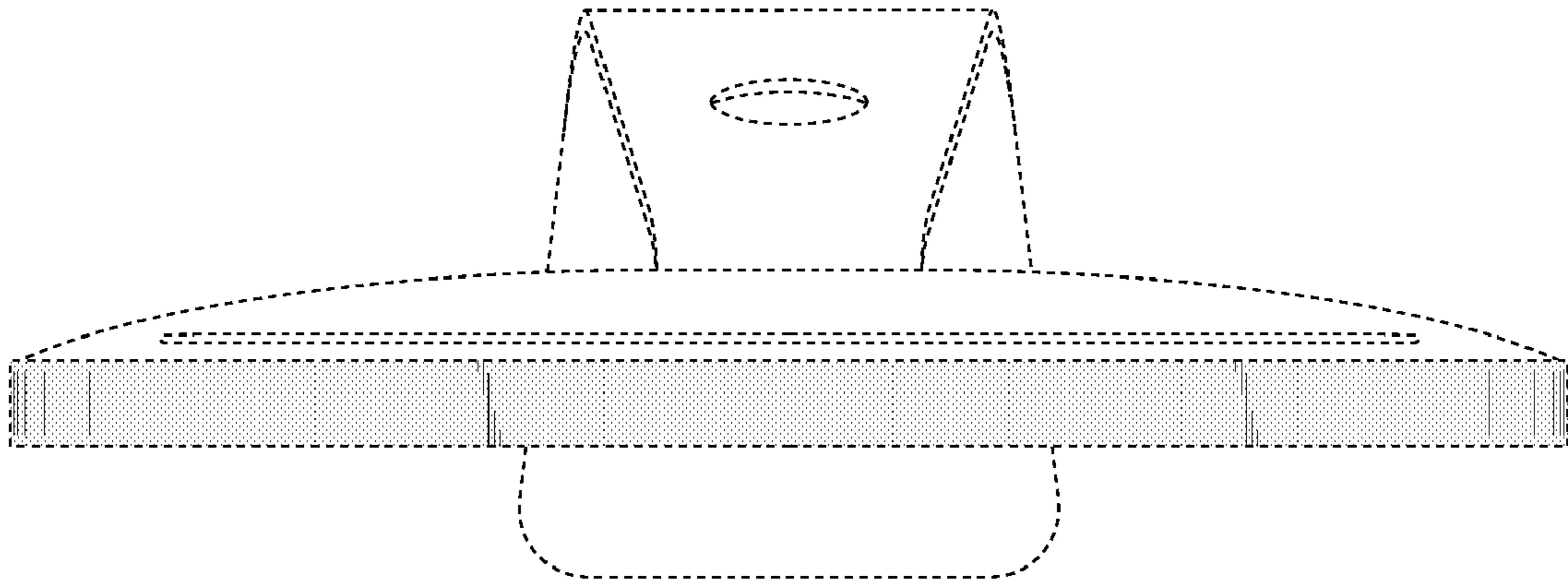


Fig. 4

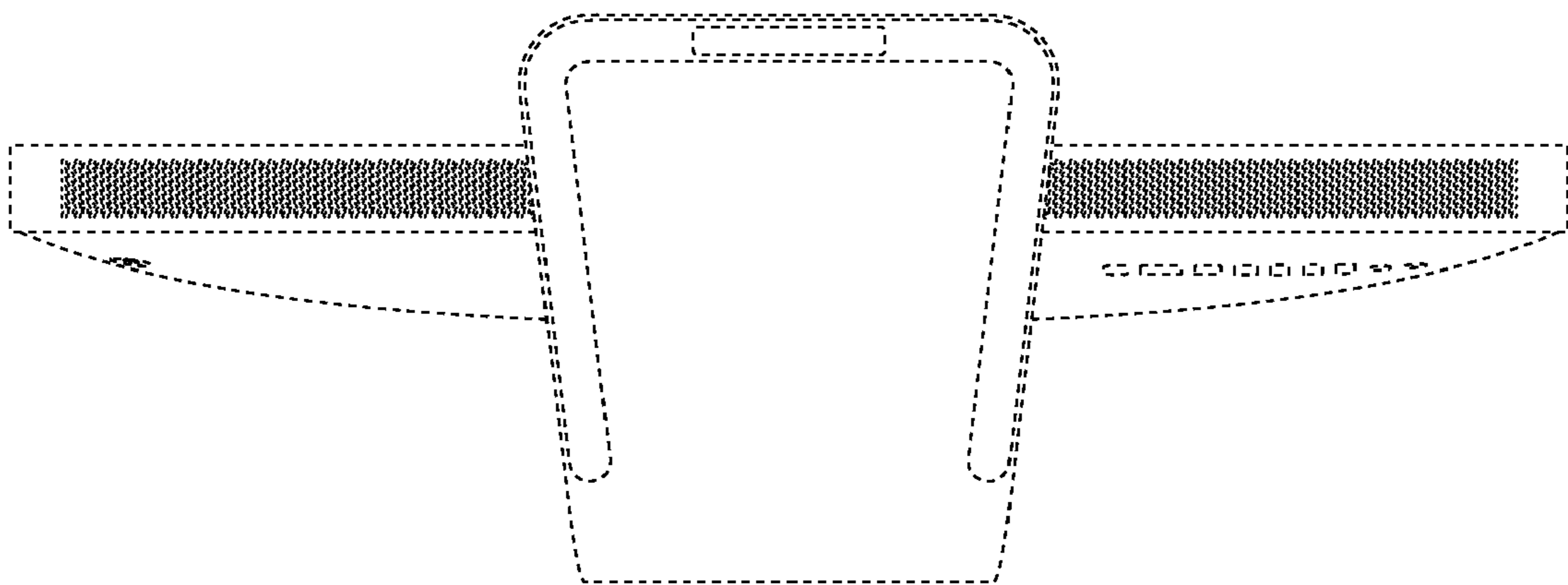


Fig. 5

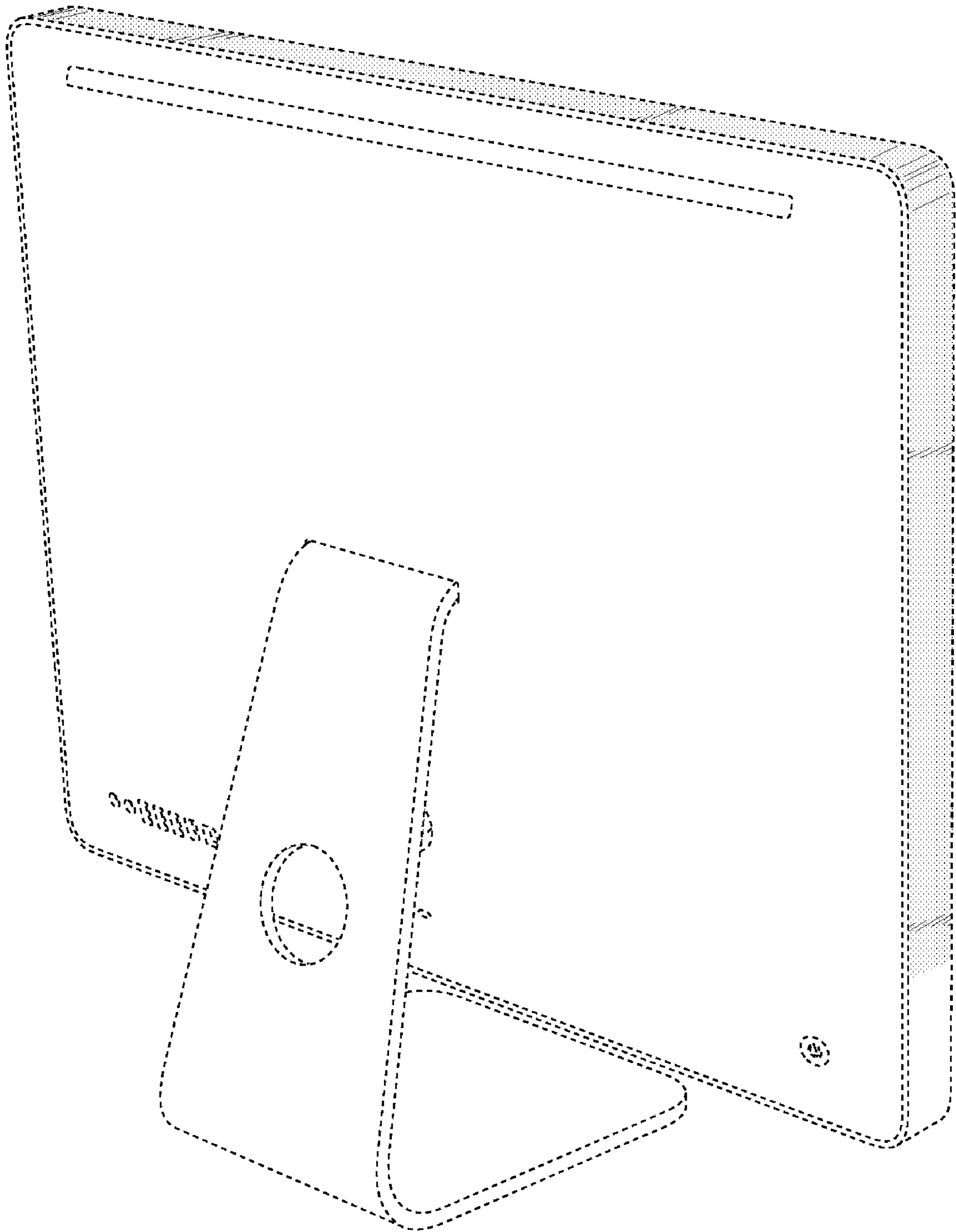


Fig. 6