



US00D621840S

(12) **United States Design Patent**
Buncher

(10) **Patent No.:** **US D621,840 S**

(45) **Date of Patent:** **** Aug. 17, 2010**

(54) **STAND FOR PORTABLE COMPUTER**

(75) Inventor: **Jan Buncher**, San Diego, CA (US)

(73) Assignee: **Sony Corporation**, Tokyo (JP)

(**) Term: **14 Years**

(21) Appl. No.: **29/354,037**

(22) Filed: **Jan. 19, 2010**

(51) **LOC (9) Cl.** **08-07**

(52) **U.S. Cl.** **D14/447**

(58) **Field of Classification Search** D14/447,
D14/451, 452, 432, 439, 448, 457, 203.8,
D14/217, 224, 224.1, 238.1, 239, 251, 252,
D14/253, 371, 372, 373, 374, 375, 376, 377,
D14/378, 379, 381, 382, 434; D6/310, 311,
D6/312, 313, 314, 406.3, 406.4, 406.5, 406.6,
D6/419, 420; D8/383, 373, 380; D12/415;
379/454, 455; 312/223.3; 248/917, 918,
248/919, 920, 921, 922, 923, 924, 447.2,
248/455, 460, 228.6, 276.1, 281.11; 361/679.02,
361/679.04, 679.06, 679.07, 679.09, 679.21,
361/679.26, 679.27, 679.3, 679.55, 679.56
See application file for complete search history.

(56) **References Cited**

U.S. PATENT DOCUMENTS

D314,192 S *	1/1991	Lawlor	D14/450
D409,992 S *	5/1999	Mockett	D14/451
D423,822 S *	5/2000	Takemasa	D6/466
D462,359 S *	9/2002	Scharer et al.	D14/452
D480,730 S *	10/2003	Doherty et al.	D14/447
D491,952 S *	6/2004	Oddsens et al.	D14/447
D540,859 S *	4/2007	Weiler	D19/34.1
D549,232 S *	8/2007	Li et al.	D14/447
D557,265 S *	12/2007	Brown et al.	D14/447
D557,698 S *	12/2007	Lye	D14/447
D559,850 S *	1/2008	Lye	D14/447
D583,158 S *	12/2008	Chiu et al.	D6/304

* cited by examiner

Primary Examiner—Jennifer Rivard

Assistant Examiner—Angela J Lee

(74) *Attorney, Agent, or Firm*—John L. Rogitz

(57) **CLAIM**

The ornamental design for the stand for portable computer, as shown and described.

DESCRIPTION

FIG. 1 is a perspective view of the stand for portable computer in the compact configuration;

FIG. 2 is a front elevational view of the stand for portable computer shown in FIG. 1;

FIG. 3 is a rear elevational view of the stand for portable computer shown in FIG. 1;

FIG. 4 is a right side elevational view of the stand for portable computer shown in FIG. 1;

FIG. 5 is a top plan view of the stand for portable computer shown in FIG. 1;

FIG. 6 is a bottom plan view of the stand for portable computer shown in FIG. 1;

FIG. 7 is a perspective view of a second embodiment of the stand for portable computer in the compact configuration;

FIG. 8 is a front elevational view of the stand for portable computer shown in FIG. 7;

FIG. 9 is a rear elevational view of the stand for portable computer shown in FIG. 7;

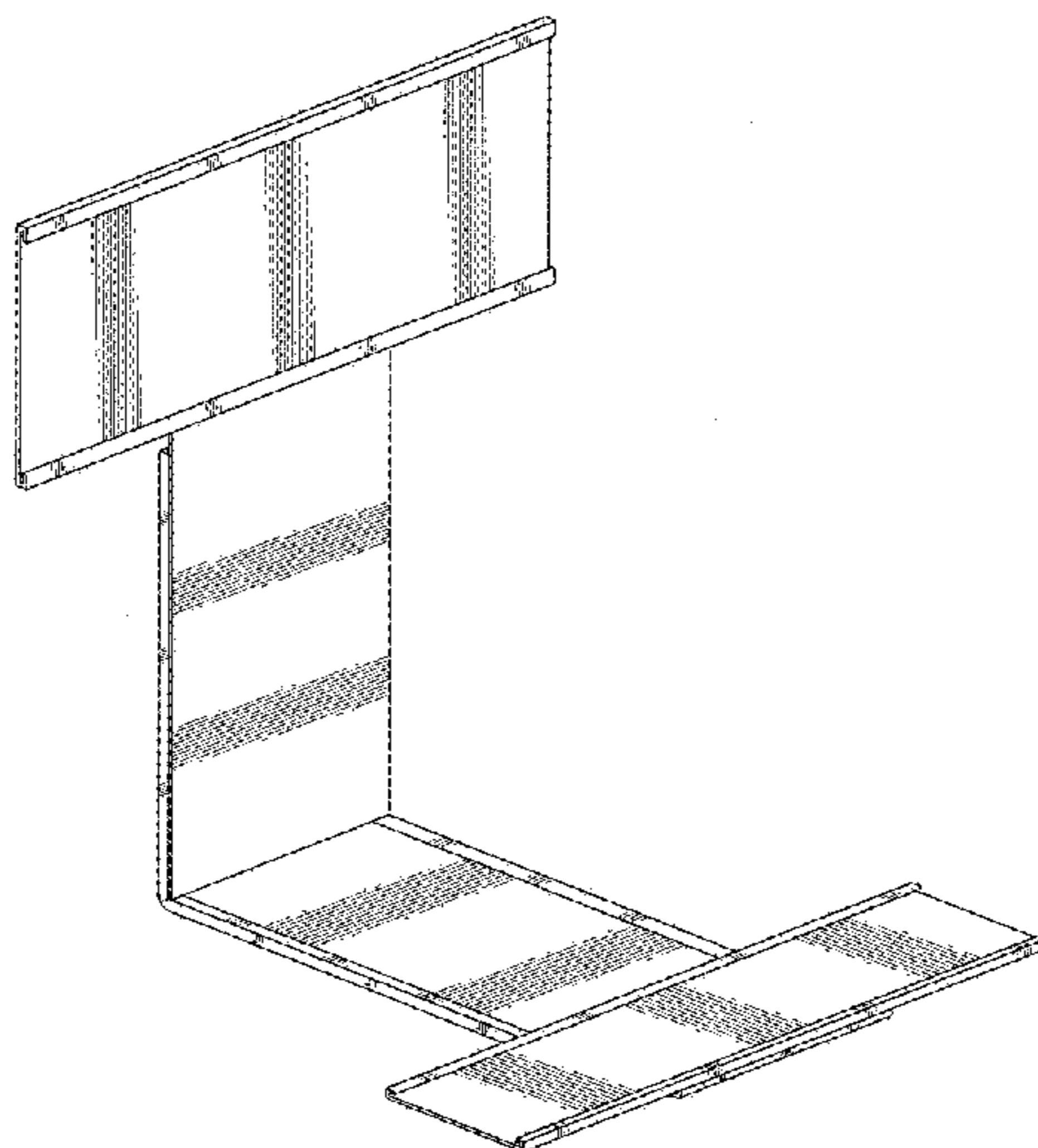
FIG. 10 is a right side elevational view of the stand for portable computer shown in FIG. 7;

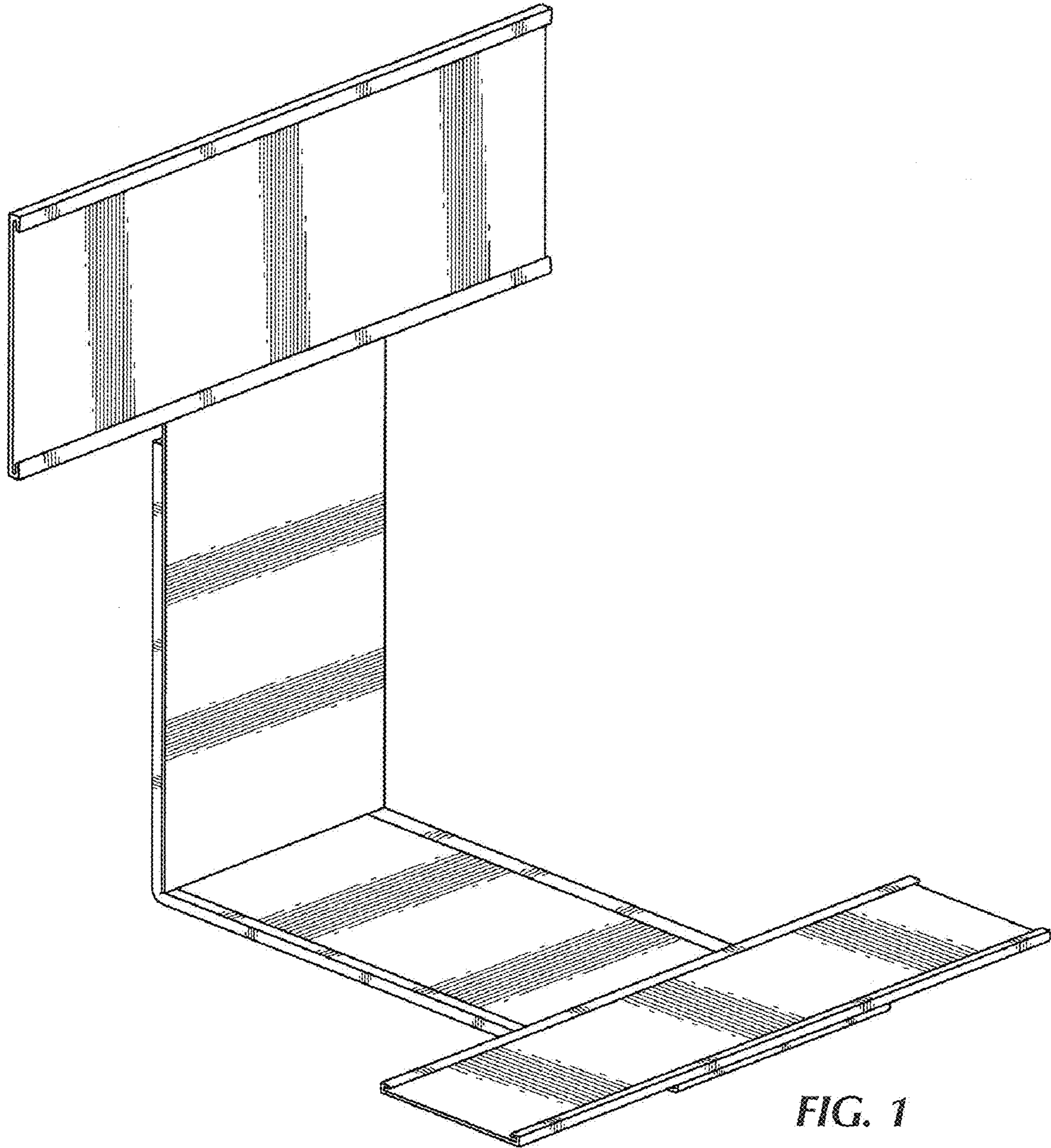
FIG. 11 is a top plan view of the stand for portable computer shown in FIG. 7;

FIG. 12 is a bottom plan view of the stand for portable computer shown in FIG. 7; and,

FIG. 13 is a perspective view of the stand for portable computer shown in FIG. 1 but in the extended configuration.

1 Claim, 13 Drawing Sheets





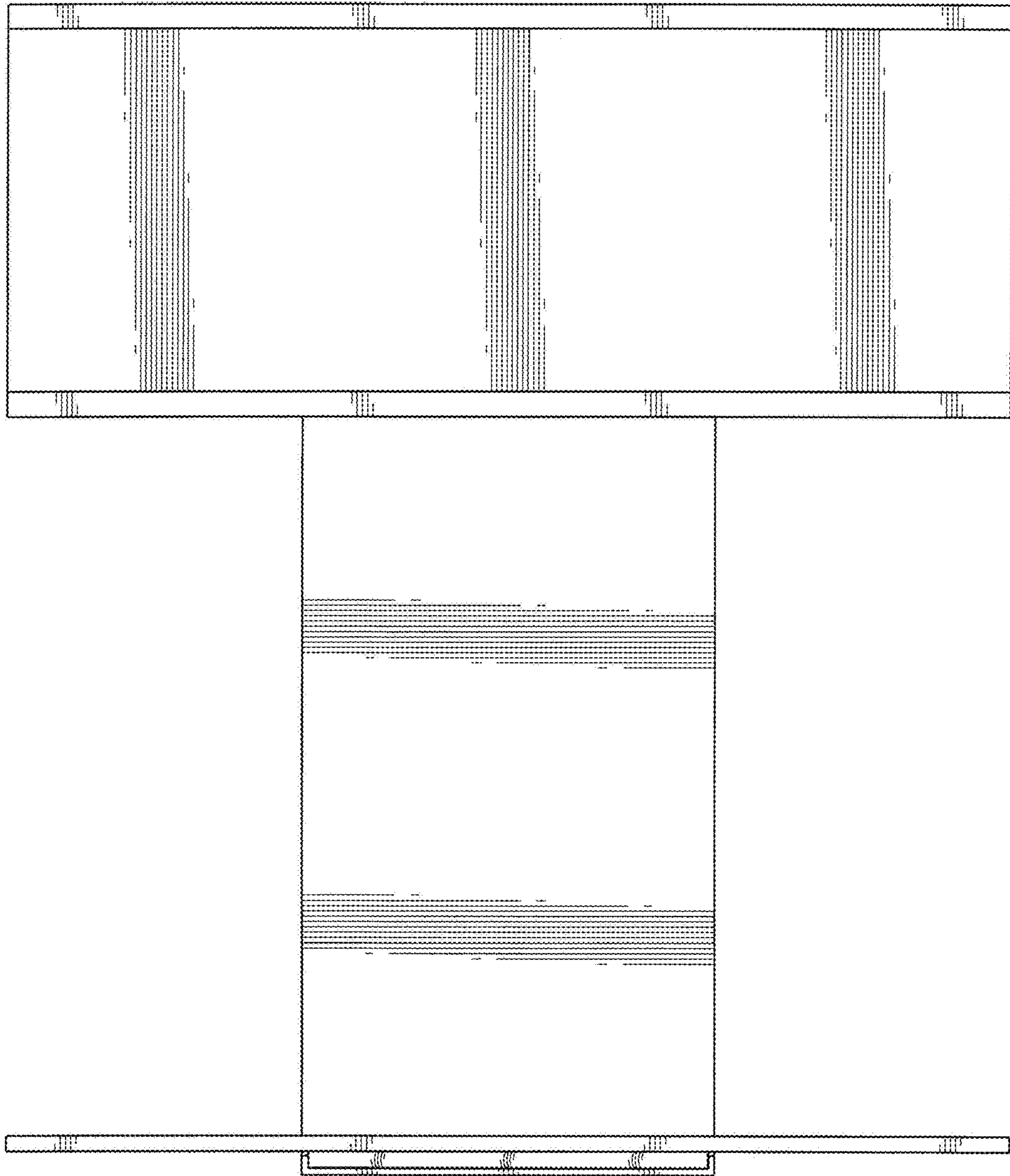


FIG. 2

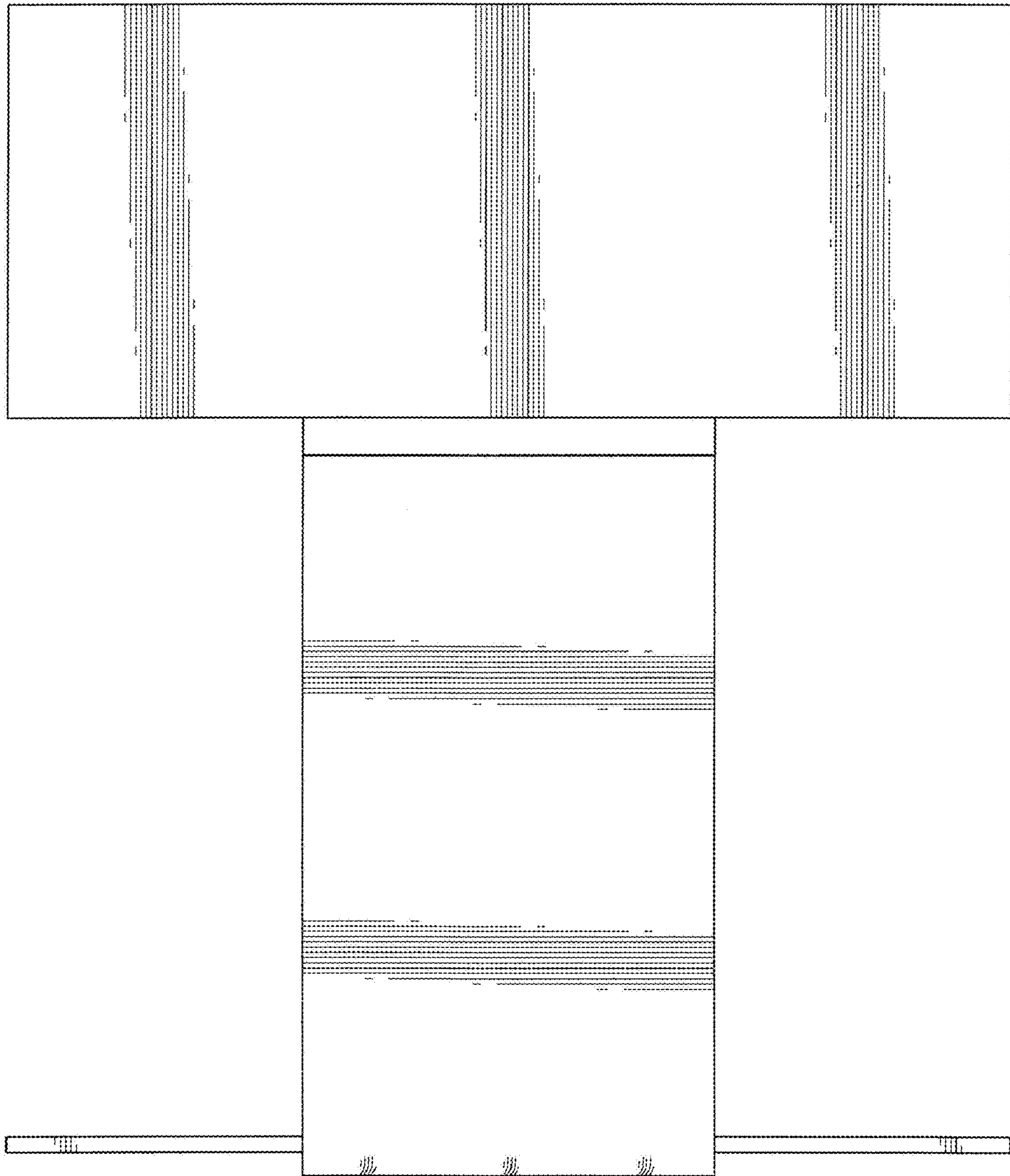


FIG. 3

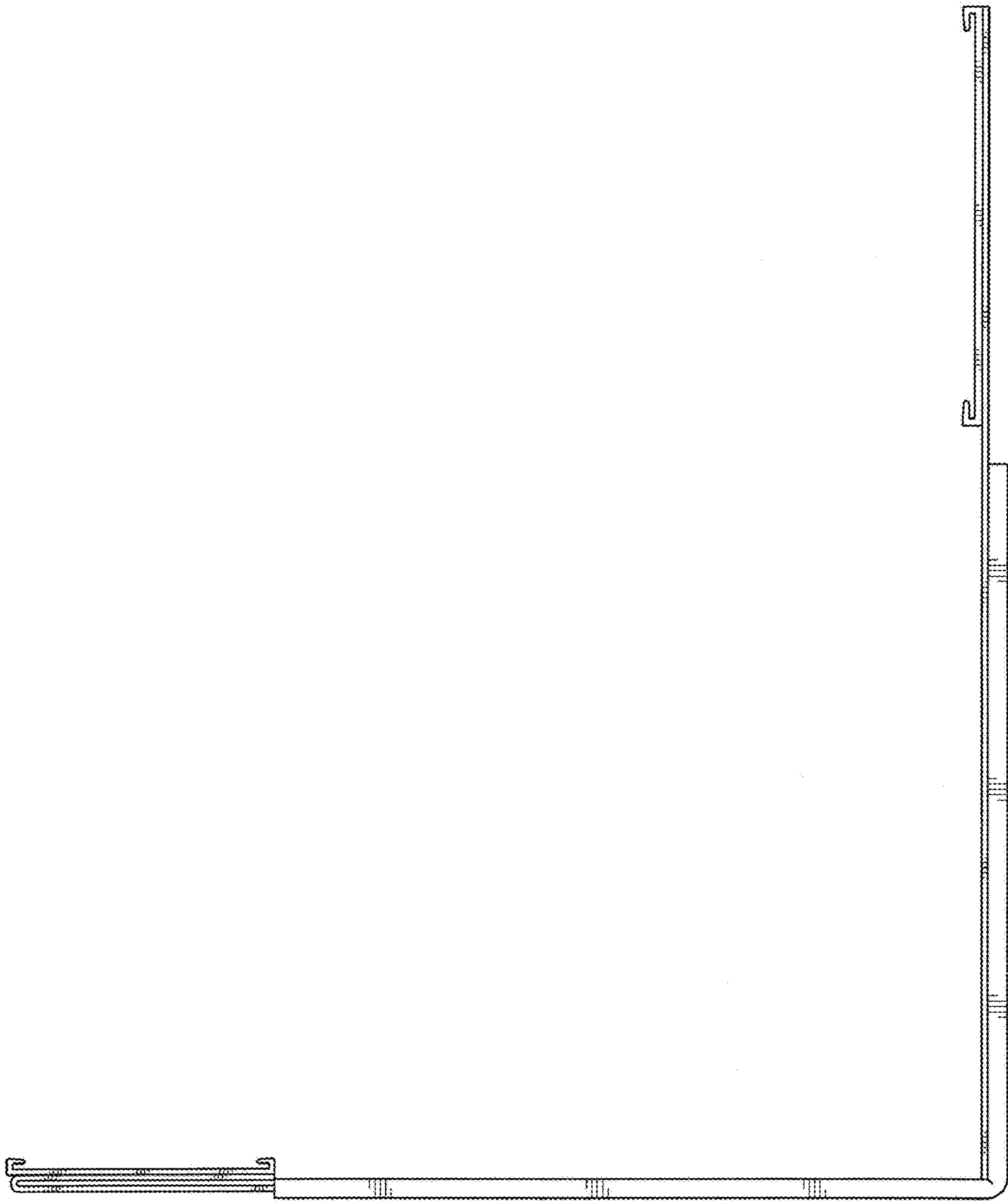


FIG. 4

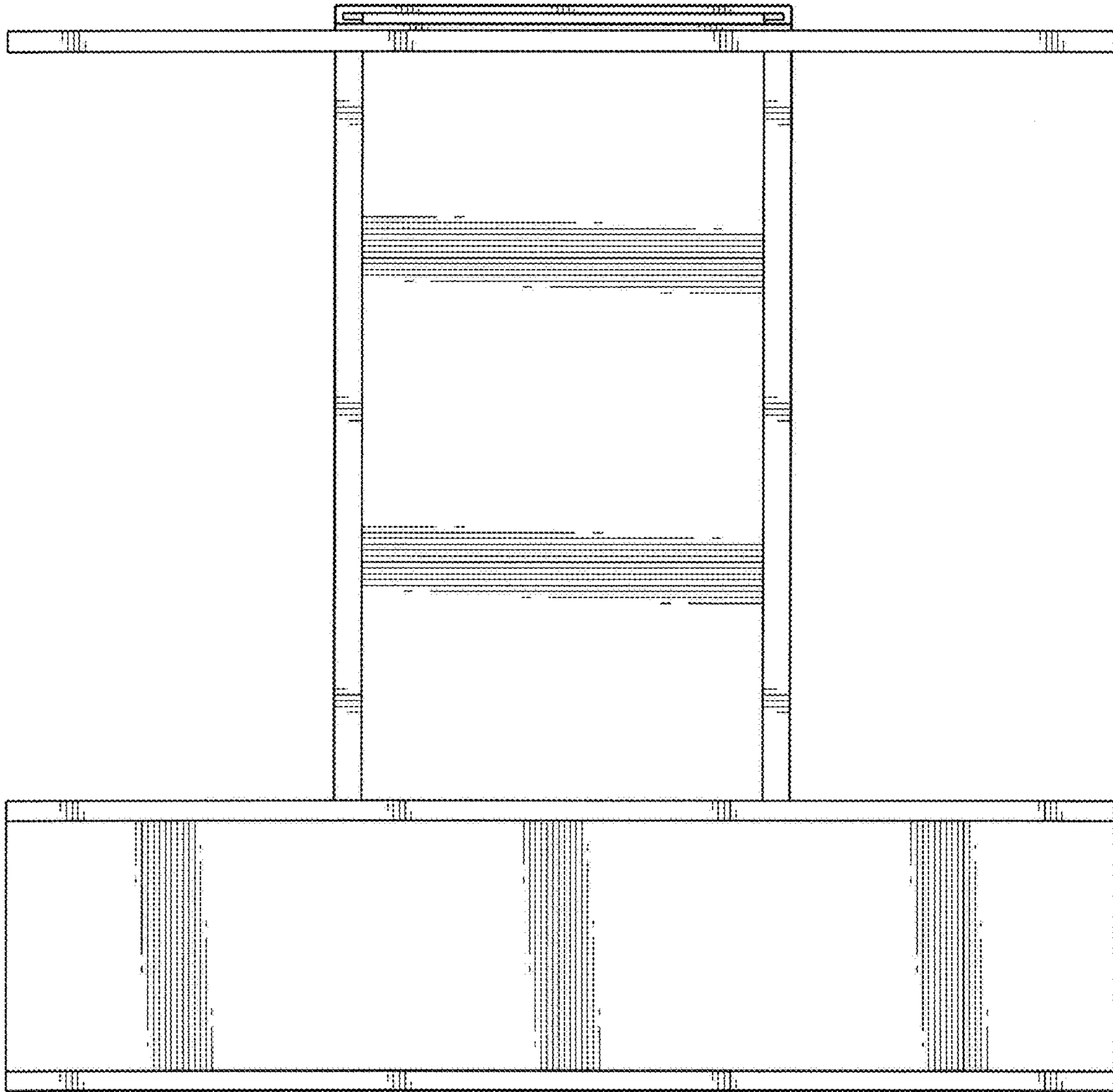


FIG. 5

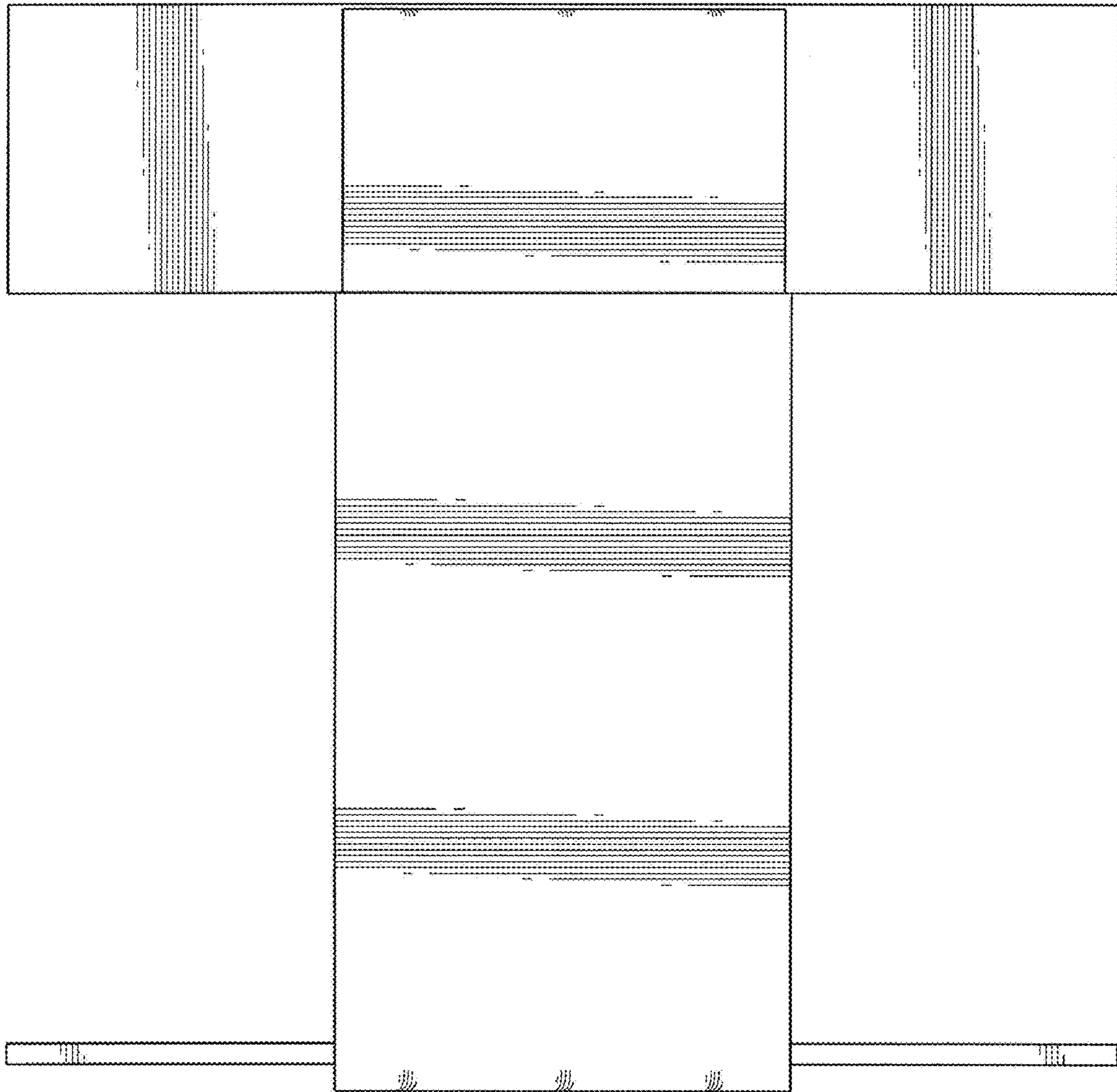
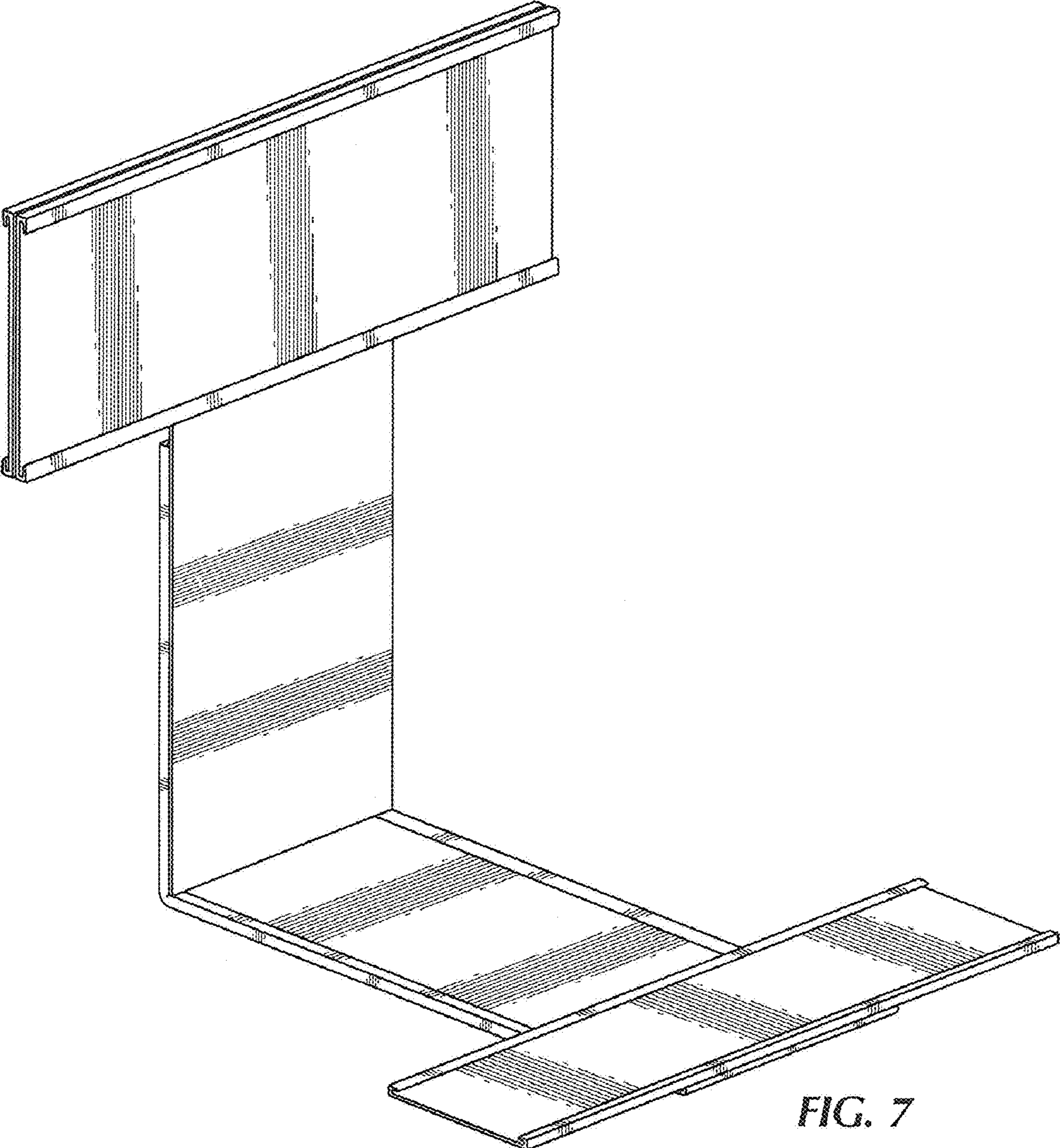


FIG. 6



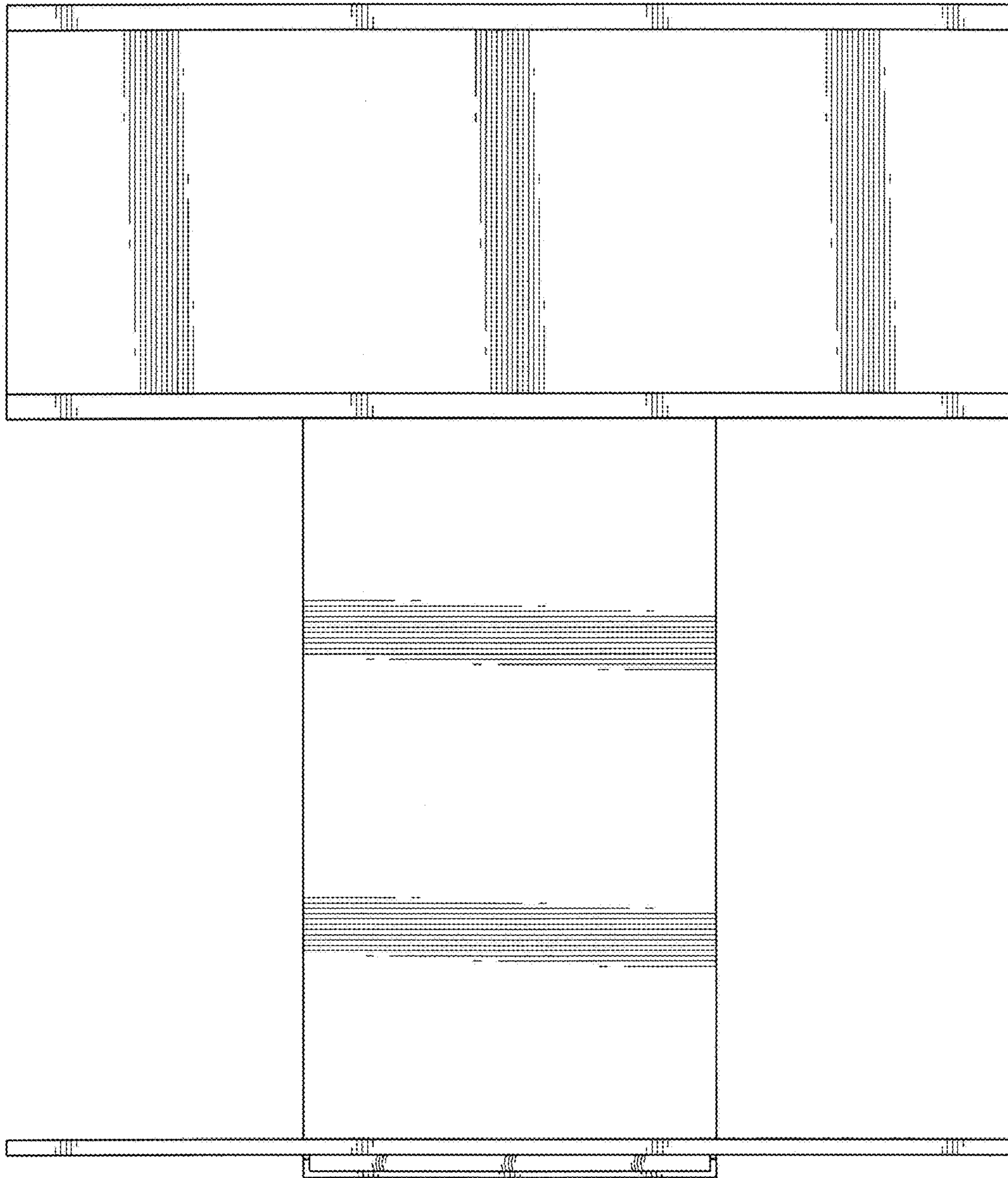


FIG. 8

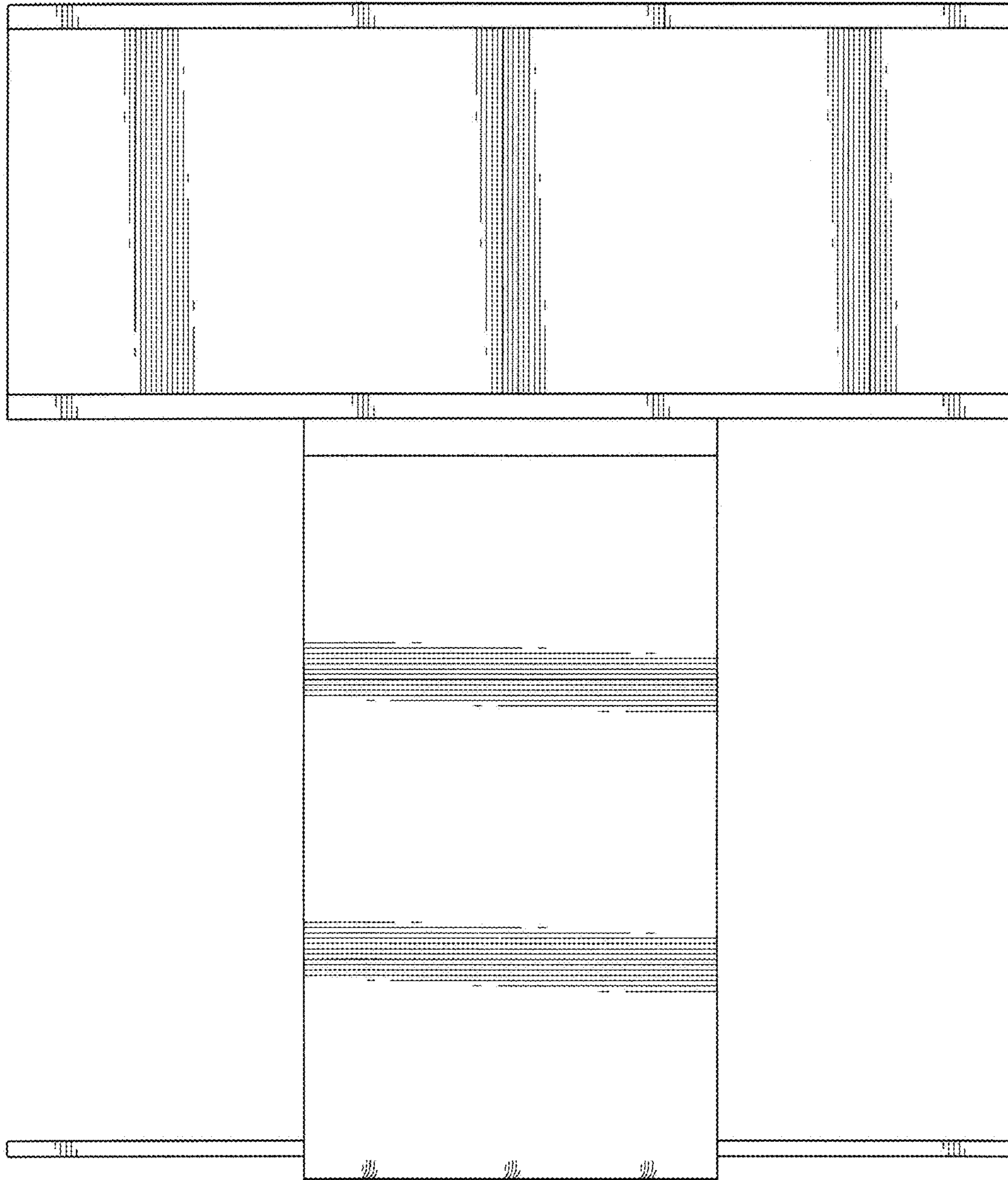


FIG. 9

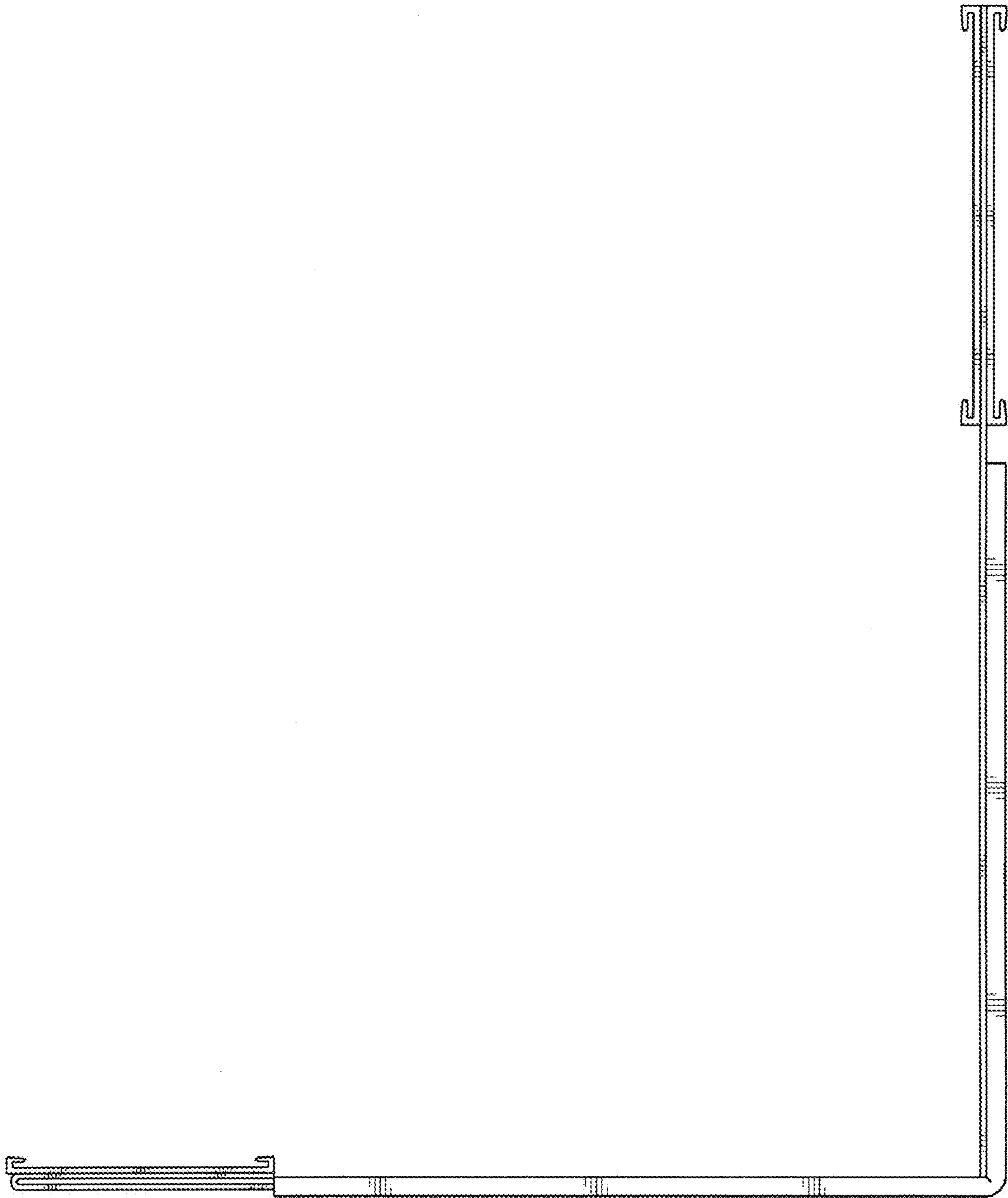


FIG. 10

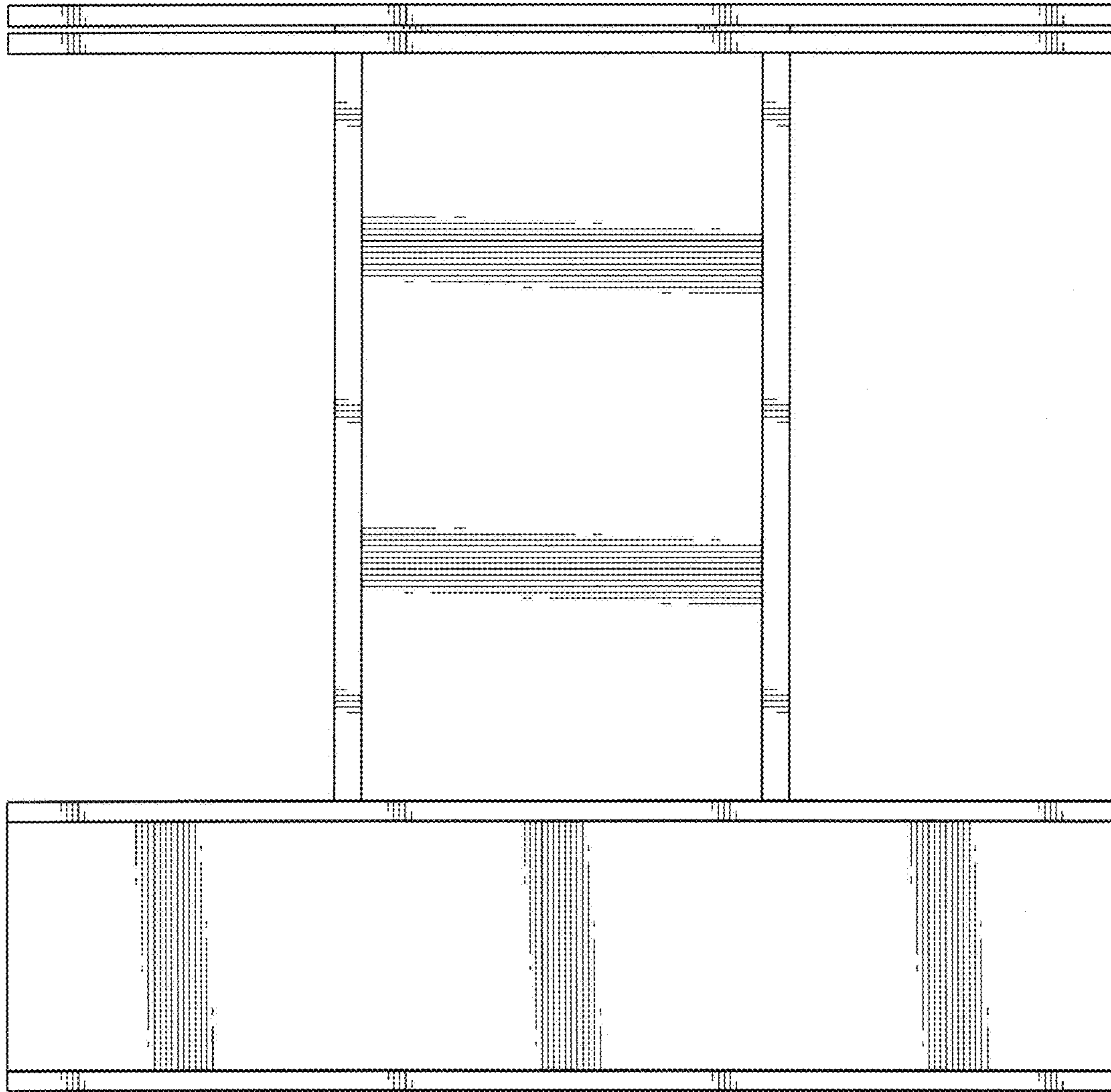


FIG. 11

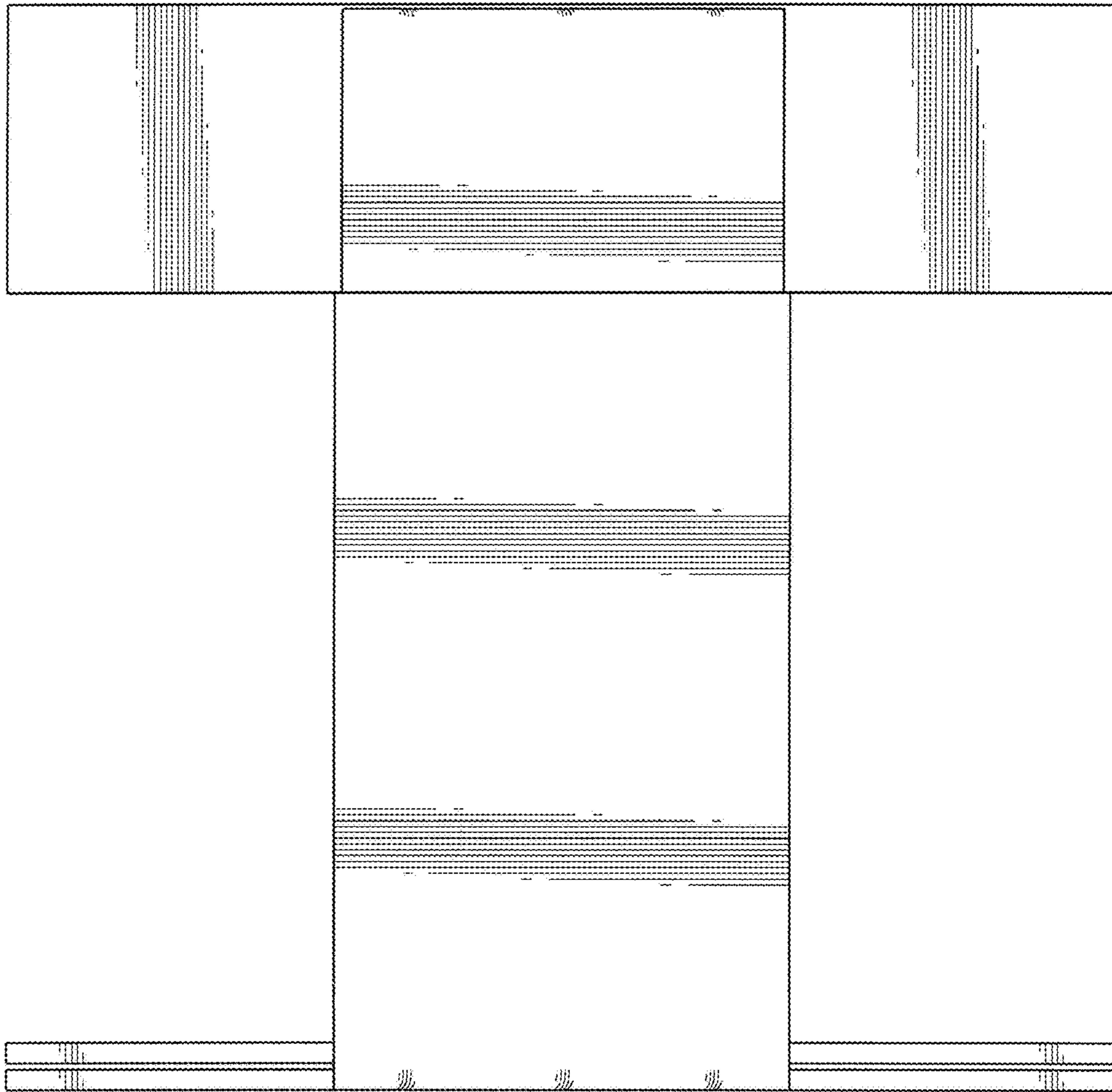


FIG. 12

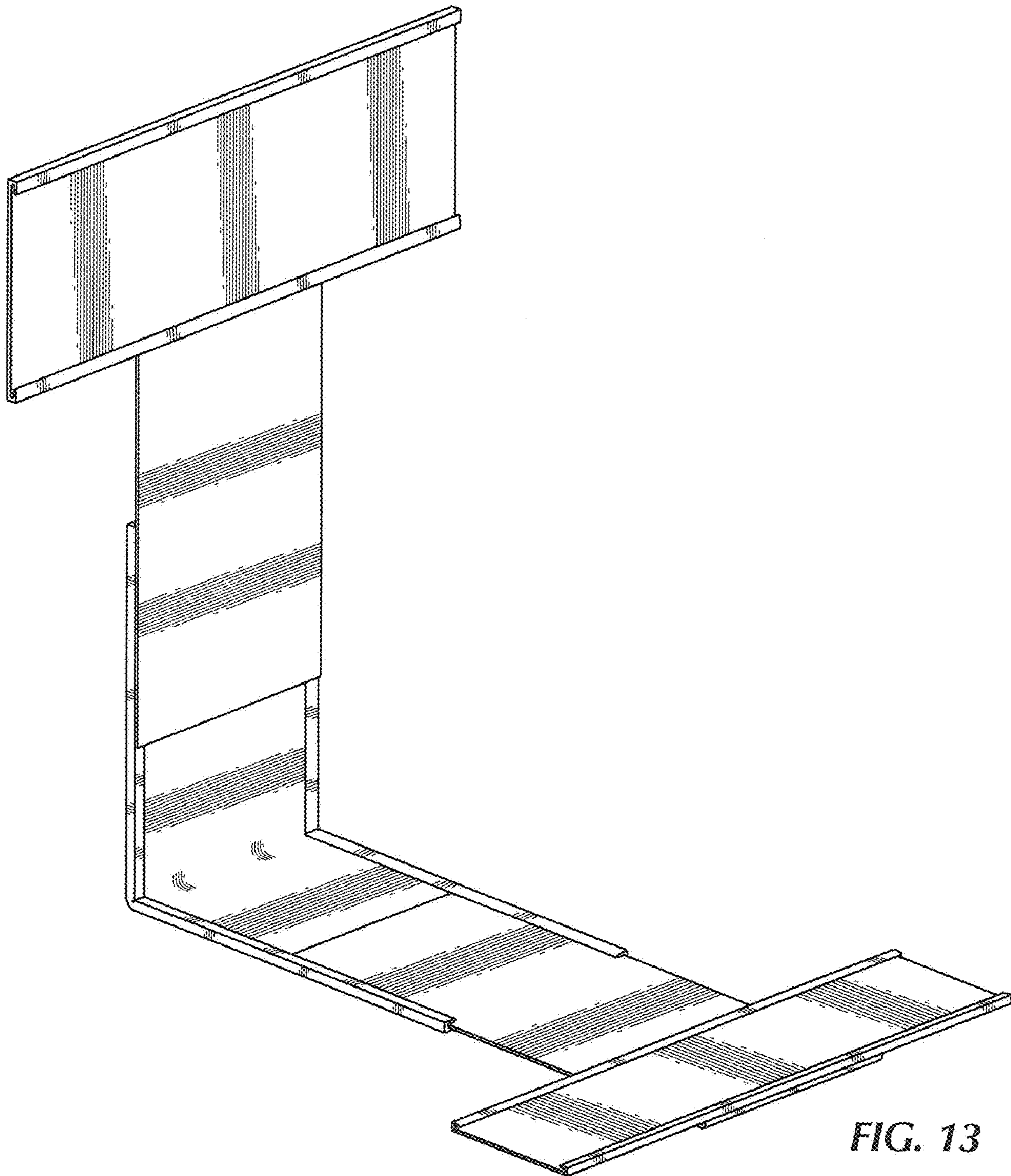


FIG. 13