



US00D621839S

(12) **United States Design Patent**
Sweet

(10) **Patent No.:** **US D621,839 S**
(45) **Date of Patent:** **** Aug. 17, 2010**

(54) **COMBINATION COVER/STAND FOR AN ELECTRIC DEVICE**

(75) Inventor: **Kenneth Sweet**, San Francisco, CA (US)

(73) Assignee: **Barnes & Noble, Inc**, New York, NY (US)

(**) Term: **14 Years**

(21) Appl. No.: **29/345,602**

(22) Filed: **Oct. 19, 2009**

(51) **LOC (9) Cl.** **14-02**

(52) **U.S. Cl.** **D14/434; D14/229**

(58) **Field of Classification Search** D14/229, D14/224.1, 238.1, 251, 254, 434, 217; D13/144, D13/108, 110; D19/84, 88, 91; D6/335, D6/469; D28/17, 61; 248/441.1, 460
See application file for complete search history.

(56) **References Cited**

U.S. PATENT DOCUMENTS

726,141	A *	4/1903	Chester	434/85
1,248,976	A *	12/1917	Woodman	451/448
2,205,692	A *	6/1940	Johnson et al.	434/74
2,722,434	A *	11/1955	Wolfe	281/33
2,746,191	A *	5/1956	Goldman	40/754
D215,054	S *	8/1969	Swertz	D14/254
D279,185	S *	6/1985	Felix et al.	D14/251
D279,674	S *	7/1985	Harley	D14/251
D303,126	S *	8/1989	Rossow	D19/91
D319,472	S *	8/1991	Clyburn	D19/92
D323,085	S *	1/1992	Konkel	D6/466
D347,857	S *	6/1994	Coe	D19/65
D361,758	S *	8/1995	Youens et al.	D14/434
D364,158	S *	11/1995	Branch	D14/137
D386,686	S *	11/1997	Alico et al.	D9/433

(Continued)

Primary Examiner—Paula Greene

(74) Attorney, Agent, or Firm—Dickstein Shapiro LLP

(57) **CLAIM**

The ornamental design for a combination cover/stand for an electronic device, as shown and described.

DESCRIPTION

FIG. 1 is a perspective view of the front of a combination cover/stand in a closed position for an electronic device showing our new design;

FIG. 2 is a front view of the combination cover/stand of FIG. 1 in a closed position;

FIG. 3 is a back view of the combination cover/stand of FIG. 1 in a closed position;

FIG. 4 is a side view of the combination cover/stand of FIG. 1 in a closed position;

FIG. 5 is a top view of the combination cover/stand of FIG. 1 in a closed position;

FIG. 6 is a bottom view of the combination cover/stand in a closed position of FIG. 1;

FIG. 7 is a perspective view of the combination cover/stand of FIG. 1 in an open position;

FIG. 8 is a front view of combination cover/stand of FIG. 1 in an open position;

FIG. 9 is a back view of combination cover/stand of FIG. 1 in an open position;

FIG. 10 is a side view of combination cover/stand of FIG. 1 in an open position;

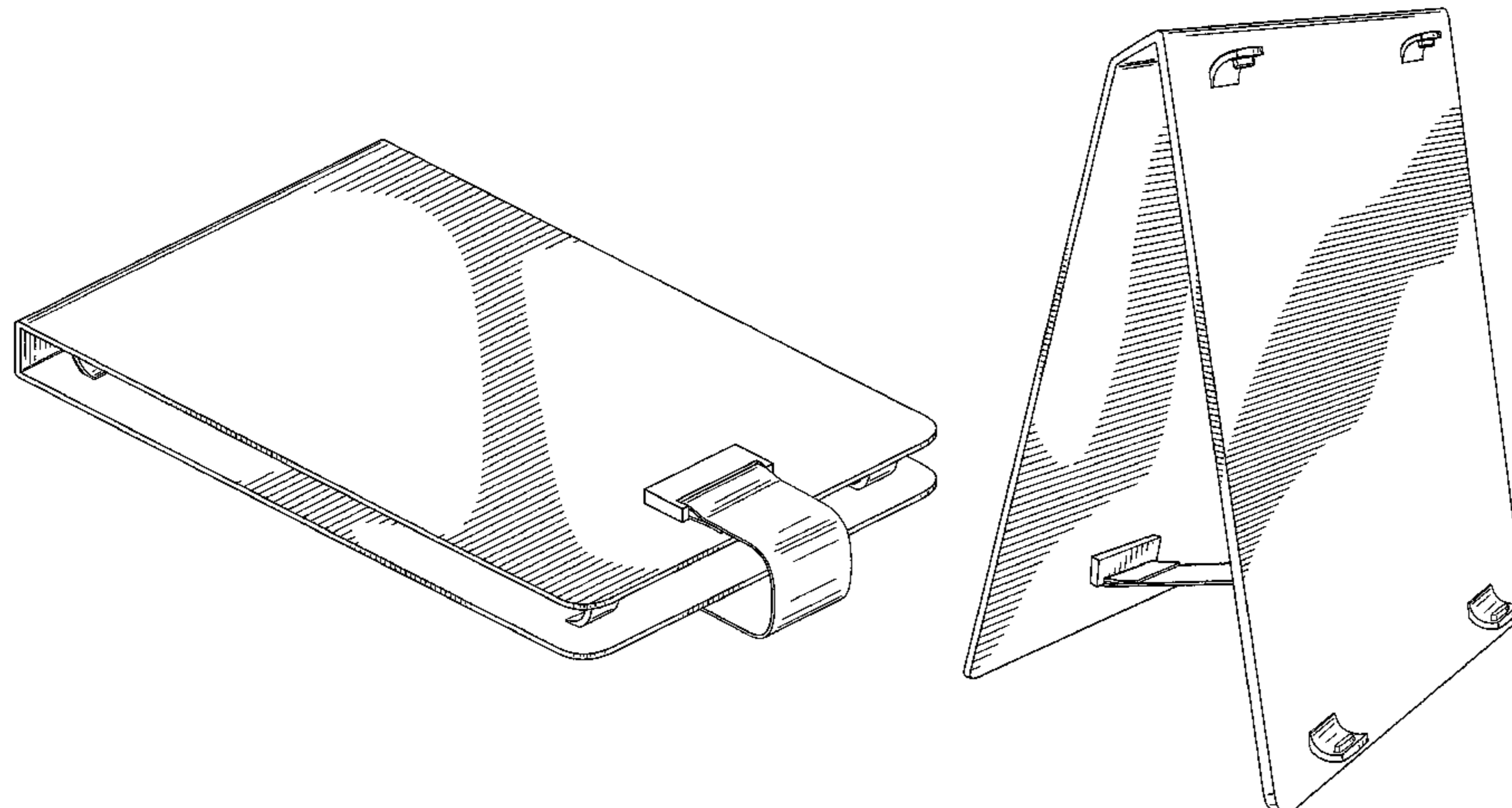
FIG. 11 is a top view of the combination cover/stand of FIG. 1 in an open position;

FIG. 12 is a bottom view of the combination cover/stand of FIG. 1 in an open position; and,

FIG. 13 is a perspective view of the combination cover/stand of FIG. 1 in an open position with an electronic device placed thereon.

The broken lines shown in the drawing are for illustrative purposes only and form no part of the claimed design.

1 Claim, 11 Drawing Sheets



US D621,839 S

Page 2

U.S. PATENT DOCUMENTS

D395,640 S *	6/1998	Goodman et al.	D14/447	D470,849 S *	2/2003	Bertagnole et al.	D14/434
D450,707 S *	11/2001	Francavilla et al.	D14/434	7,085,132 B2 *	8/2006	Schlesener et al.	361/679.23
D466,122 S *	11/2002	Moody	D14/434	D588,578 S *	3/2009	Donovan et al.	D14/217

* cited by examiner

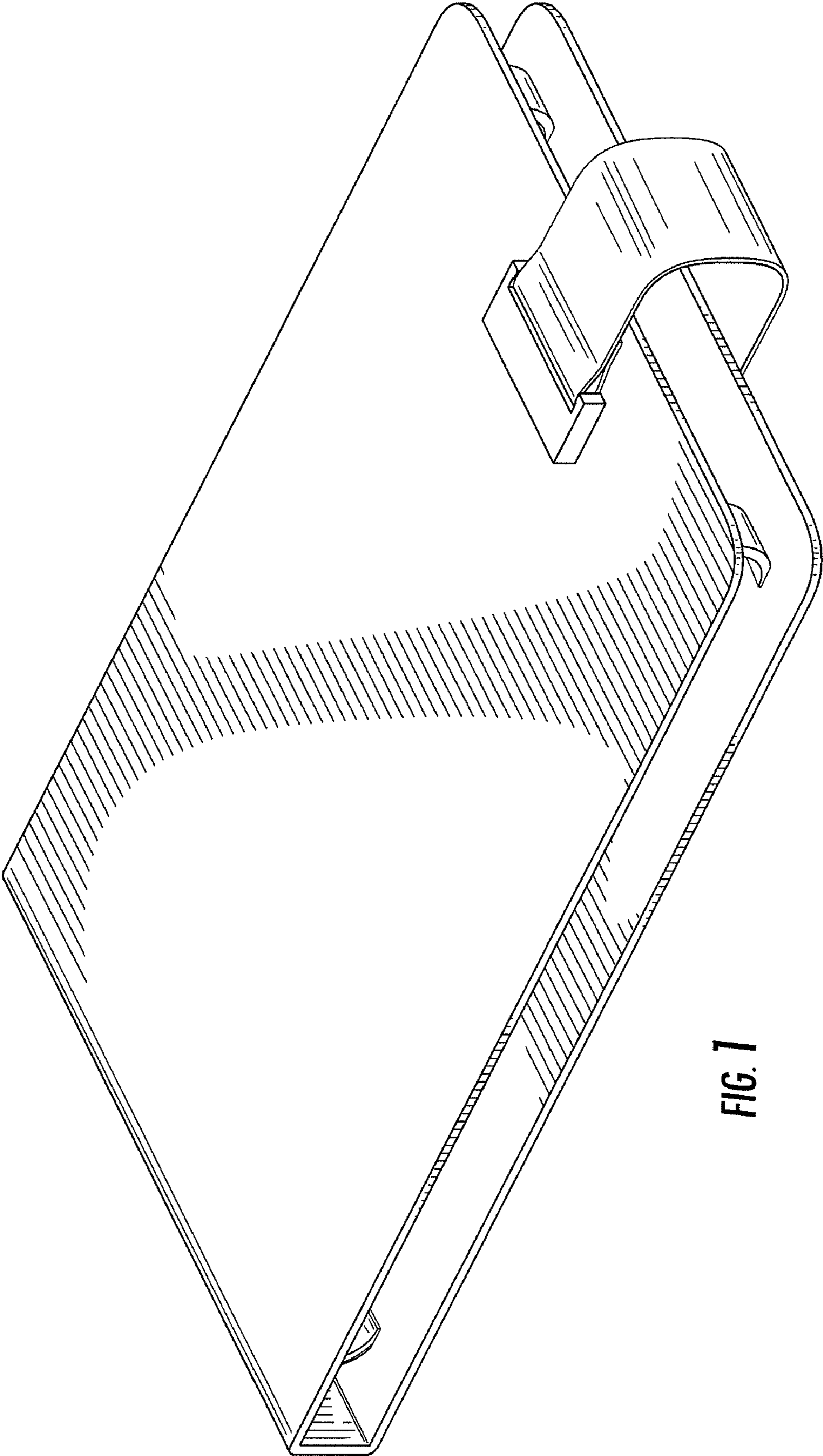


FIG. 1

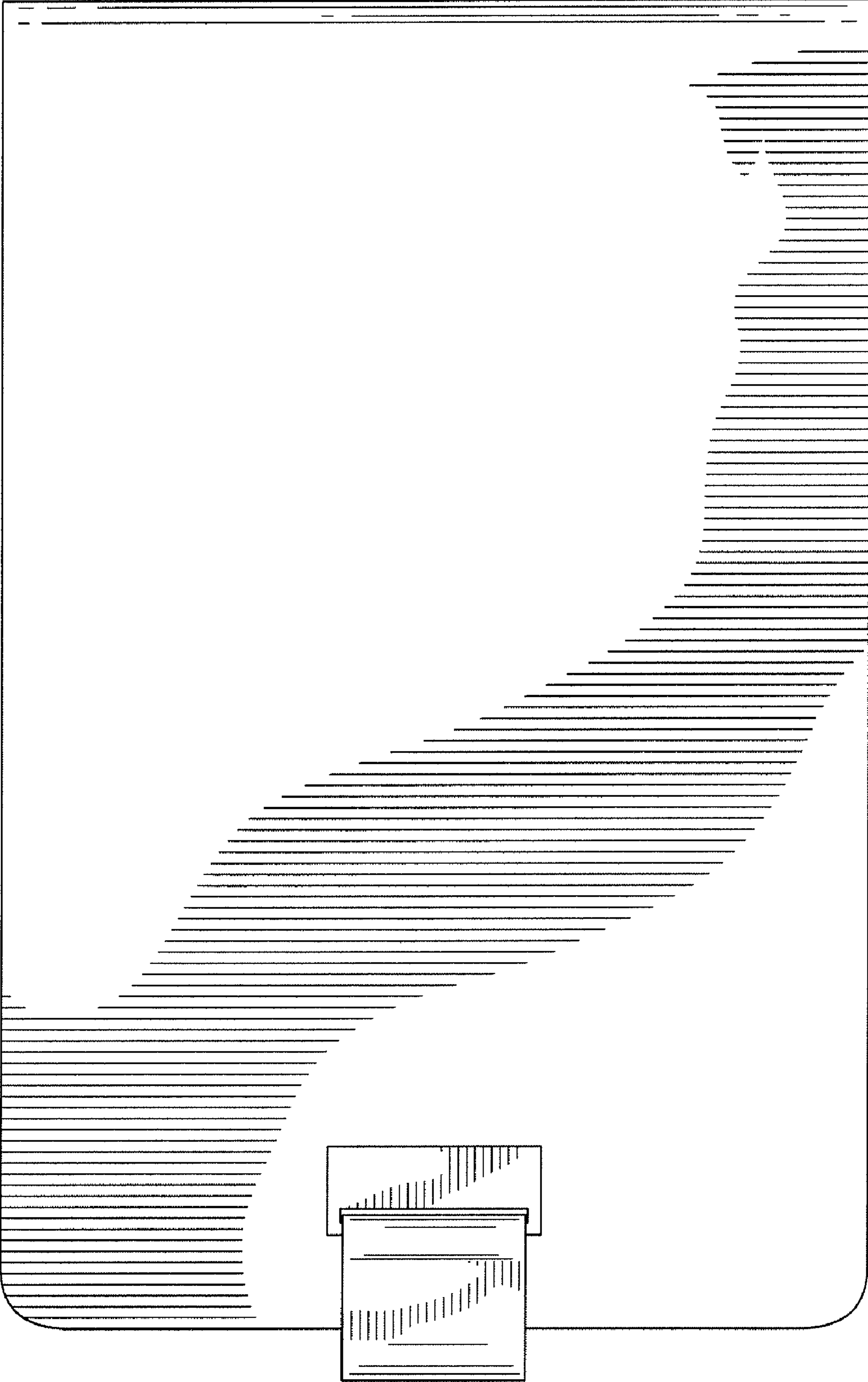


FIG. 2



FIG. 3

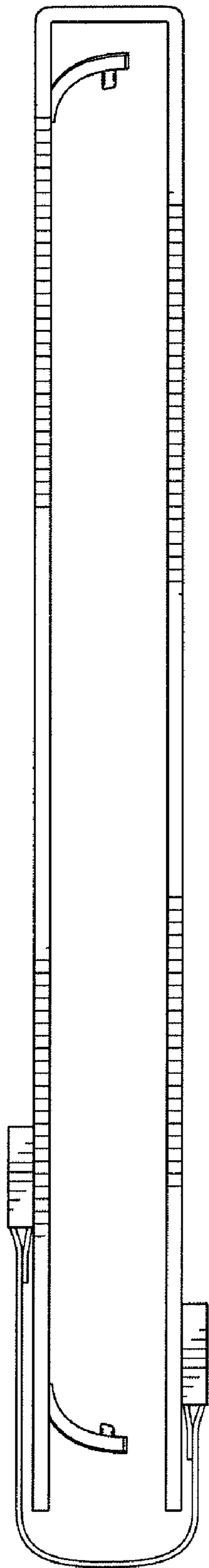


FIG. 4

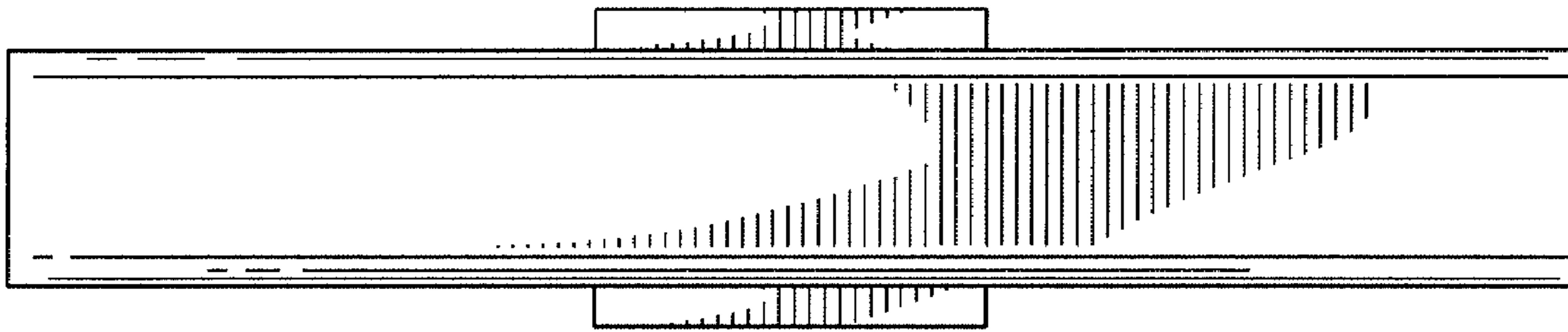


FIG. 5

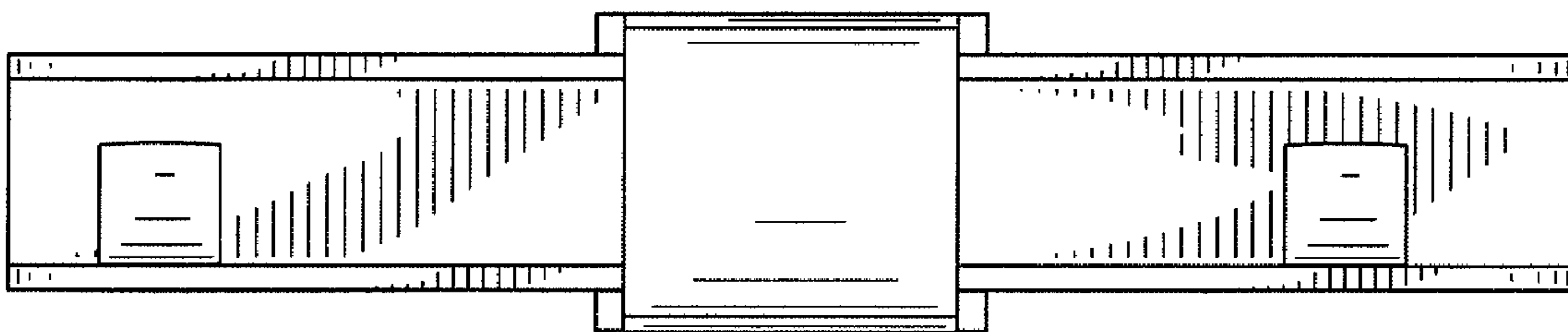


FIG. 6

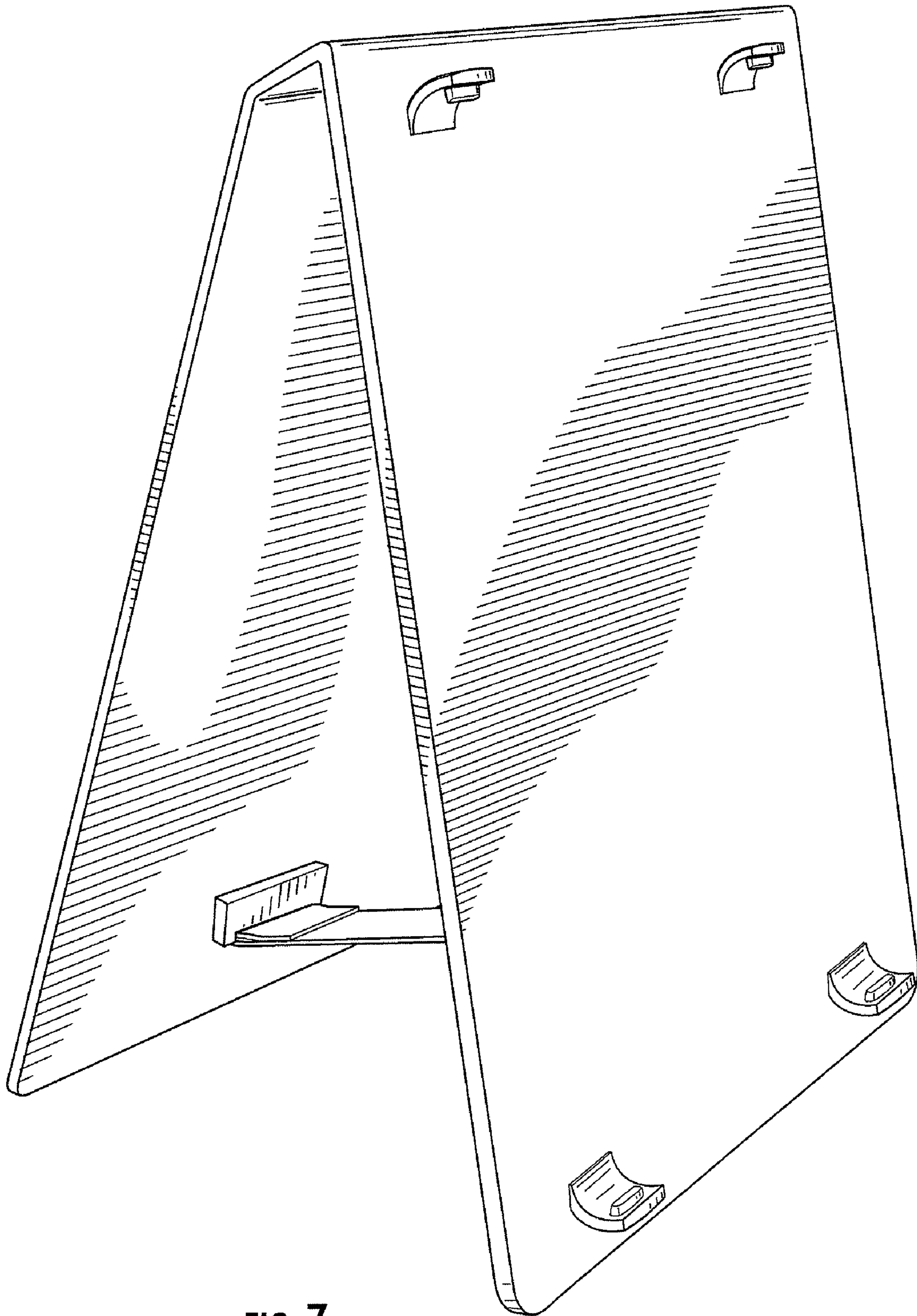


FIG. 7



FIG. 8



FIG. 9

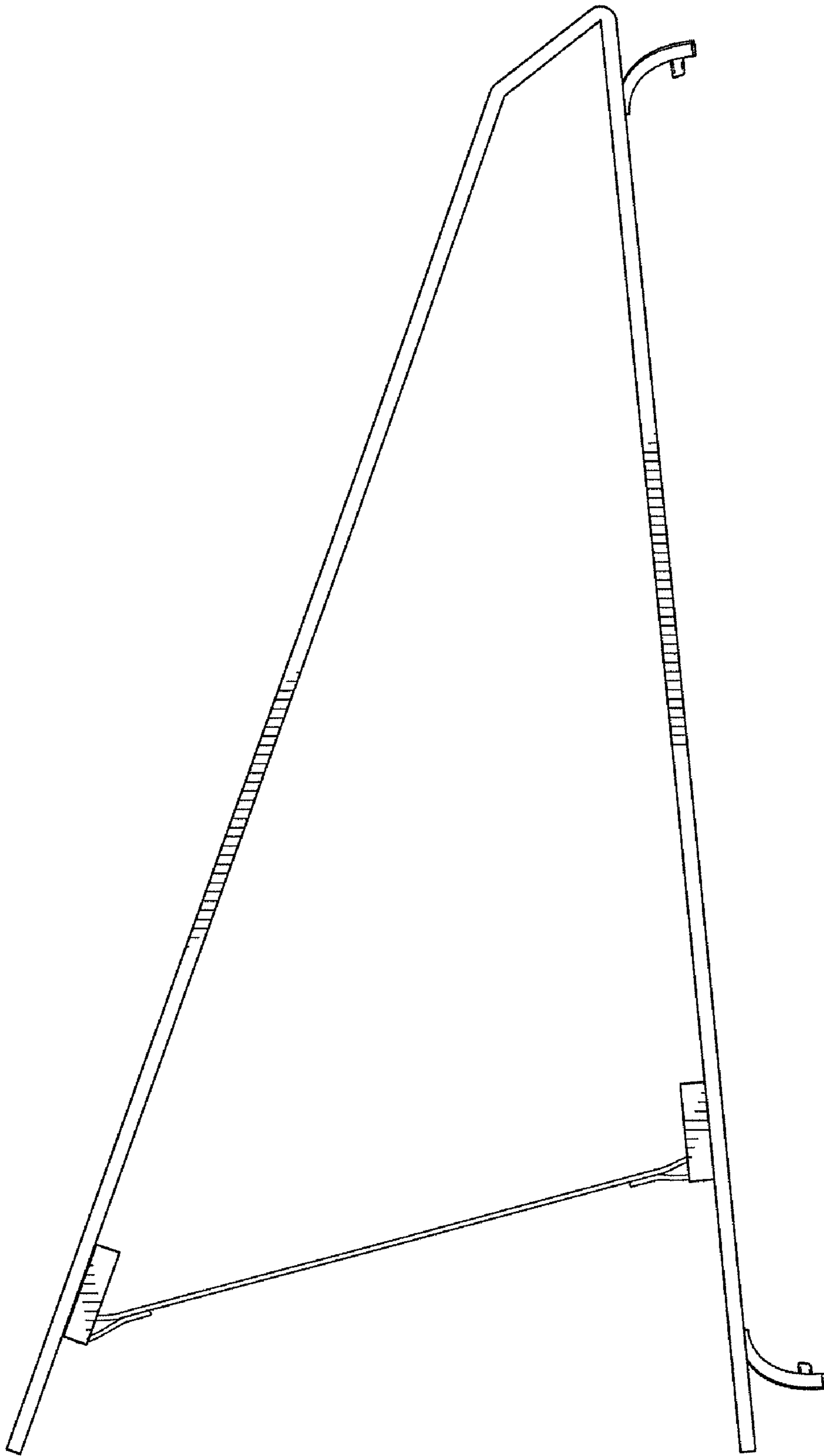


FIG. 10

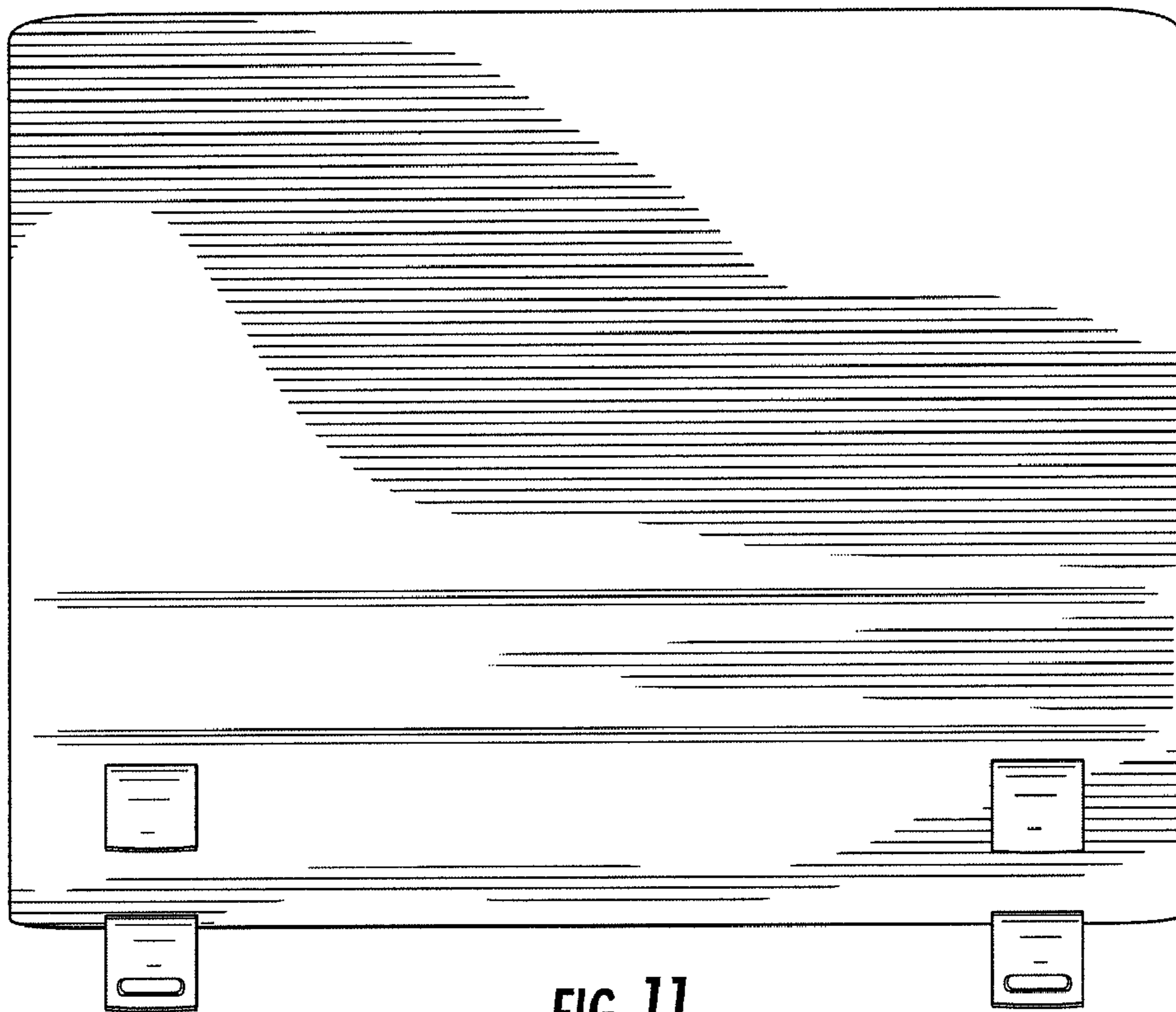


FIG. 11

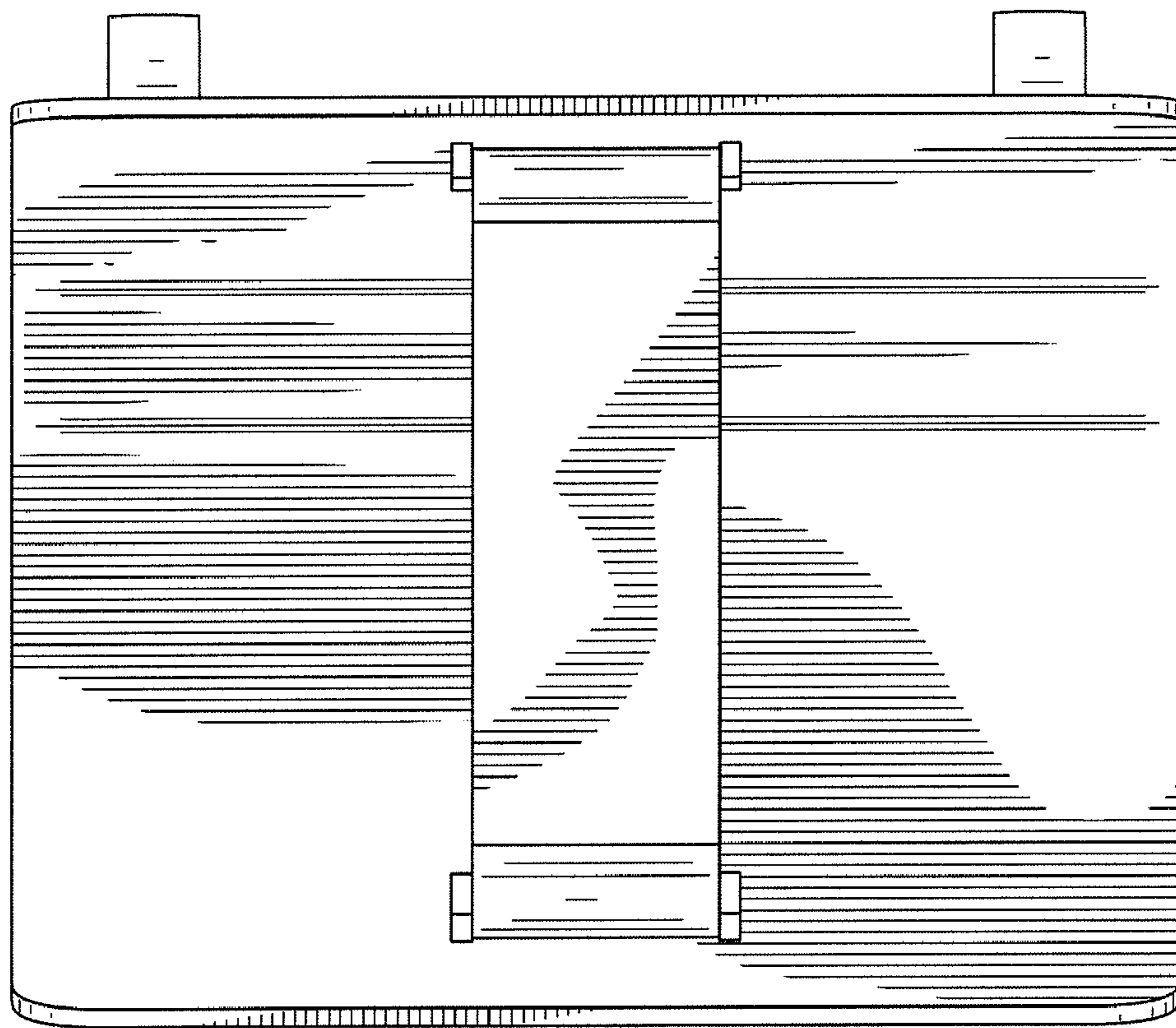


FIG. 12

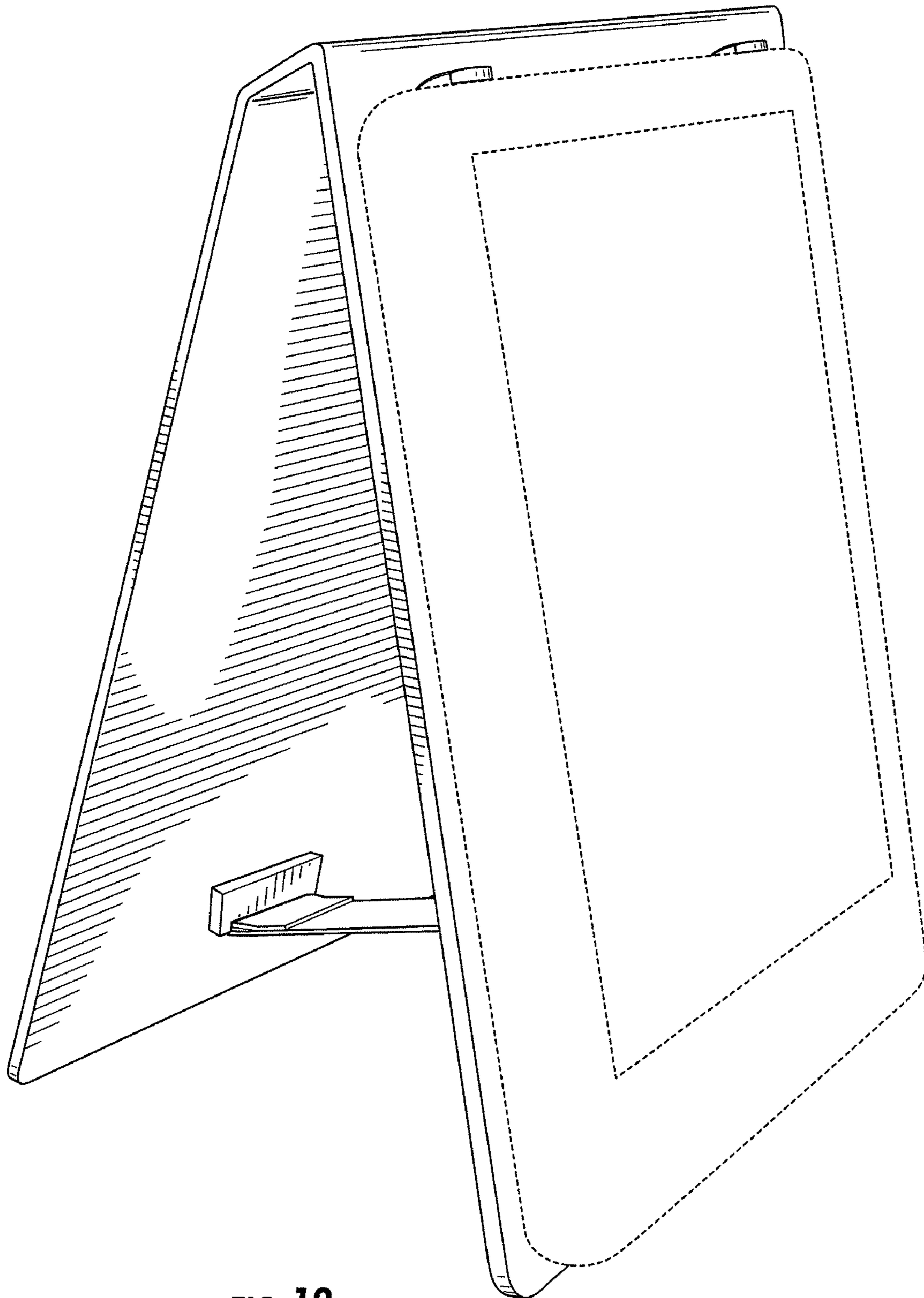


FIG. 13