



US00D621834S

(12) **United States Design Patent**
Kinno et al.

(10) **Patent No.:** **US D621,834 S**

(45) **Date of Patent:** **** Aug. 17, 2010**

(54) **INFORMATION TERMINAL DEVICE**

(75) Inventors: **Dai Kinno**, Minato-ku (JP); **Kenichiro Matsushita**, Shinagawa-ku (JP)

(73) Assignee: **NEC Corporation**, Tokyo (JP)

(**) Term: **14 Years**

(21) Appl. No.: **29/346,837**

(22) Filed: **Nov. 6, 2009**

(30) **Foreign Application Priority Data**

May 7, 2009 (JP) 2009-010265

(51) **LOC (9) Cl.** **14-02**

(52) **U.S. Cl.** **D14/383**

(58) **Field of Classification Search** D14/385-388,
D14/391-399; D18/1, 2, 7, 11, 4.1-4.6;
178/17 A, 17 C; 200/5 A, 5 R, 6 A, 6 R;
235/145 A, 145 R; 345/160, 168, 169; 341/22,
341/23; 400/484-489, 492; 361/679.08,
361/679.09, 679.11, 679.12

See application file for complete search history.

(56) **References Cited**

U.S. PATENT DOCUMENTS

4,757,329 A * 7/1988 Sato et al. 347/218
D389,466 S * 1/1998 Nakao et al. D14/387
D423,037 S * 4/2000 Ohki et al. D18/4.6

D425,873 S * 5/2000 Anderson et al. D14/399
D455,454 S * 4/2002 Swyst et al. D18/14
D477,321 S * 7/2003 Baughman D14/385
D486,826 S * 2/2004 Janez et al. D14/387
D487,478 S * 3/2004 Johannesson et al. D18/4.6
6,796,492 B1 * 9/2004 Gatto 235/379
D523,011 S * 6/2006 Jones et al. D14/388
D566,753 S * 4/2008 Suzuki et al. D18/19
2009/0076921 A1 * 3/2009 Nelson et al. 705/16

* cited by examiner

Primary Examiner—Freda S Nunn

(74) *Attorney, Agent, or Firm*—Sughrue Mion, PLLC

(57) **CLAIM**

The ornamental design for an information terminal device, as shown and described.

DESCRIPTION

FIG. 1 is a front view of said information terminal device.

FIG. 2 is a rear view of said information terminal device.

FIG. 3 is a left side view of said information terminal device.

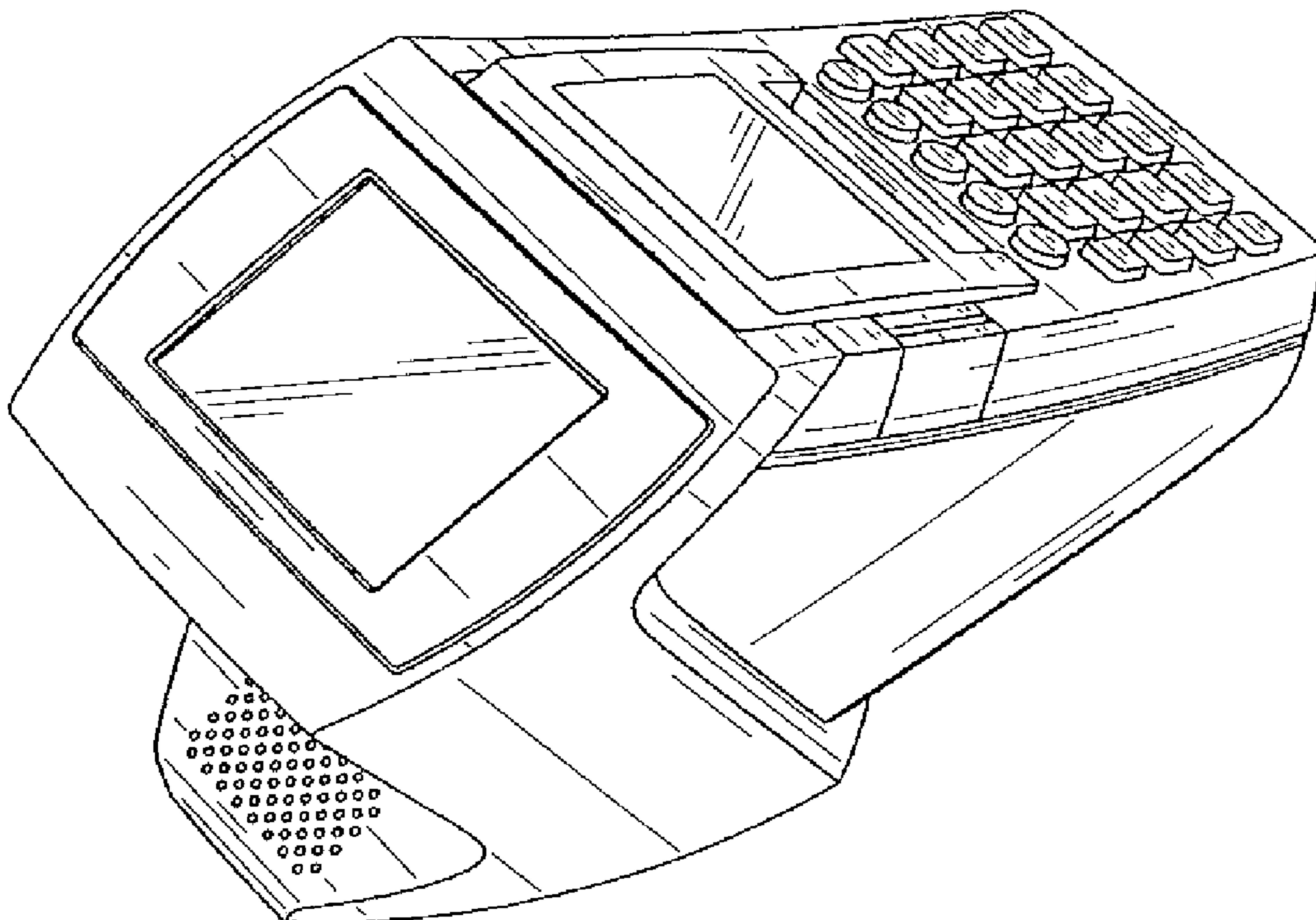
FIG. 4 is a right side view of said information terminal device.

FIG. 5 is a top plan view of said information terminal device.

FIG. 6 is a bottom plan view of said information terminal device; and,

FIG. 7 is a perspective view of said information terminal device.

1 Claim, 5 Drawing Sheets



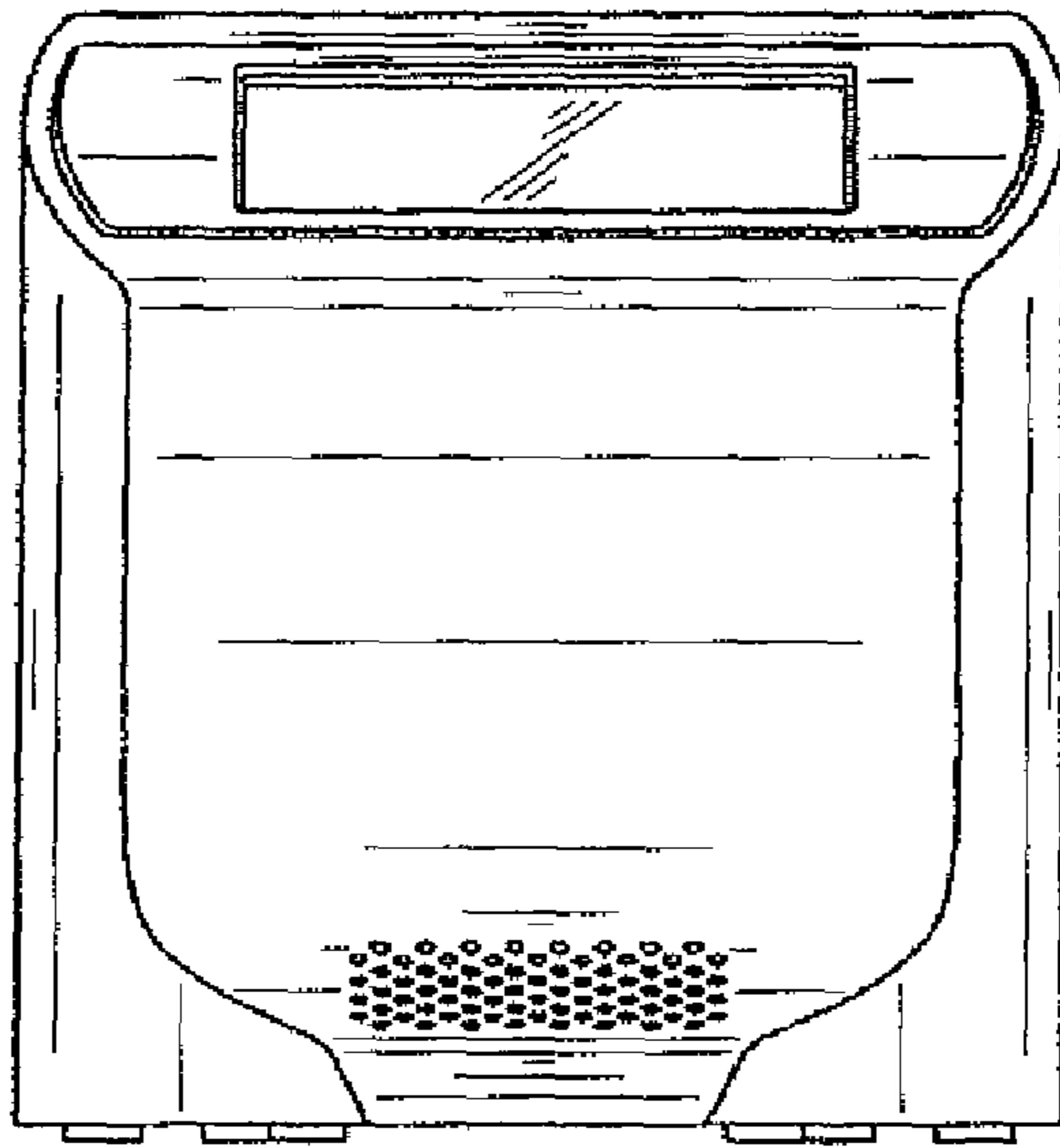


FIG. 1

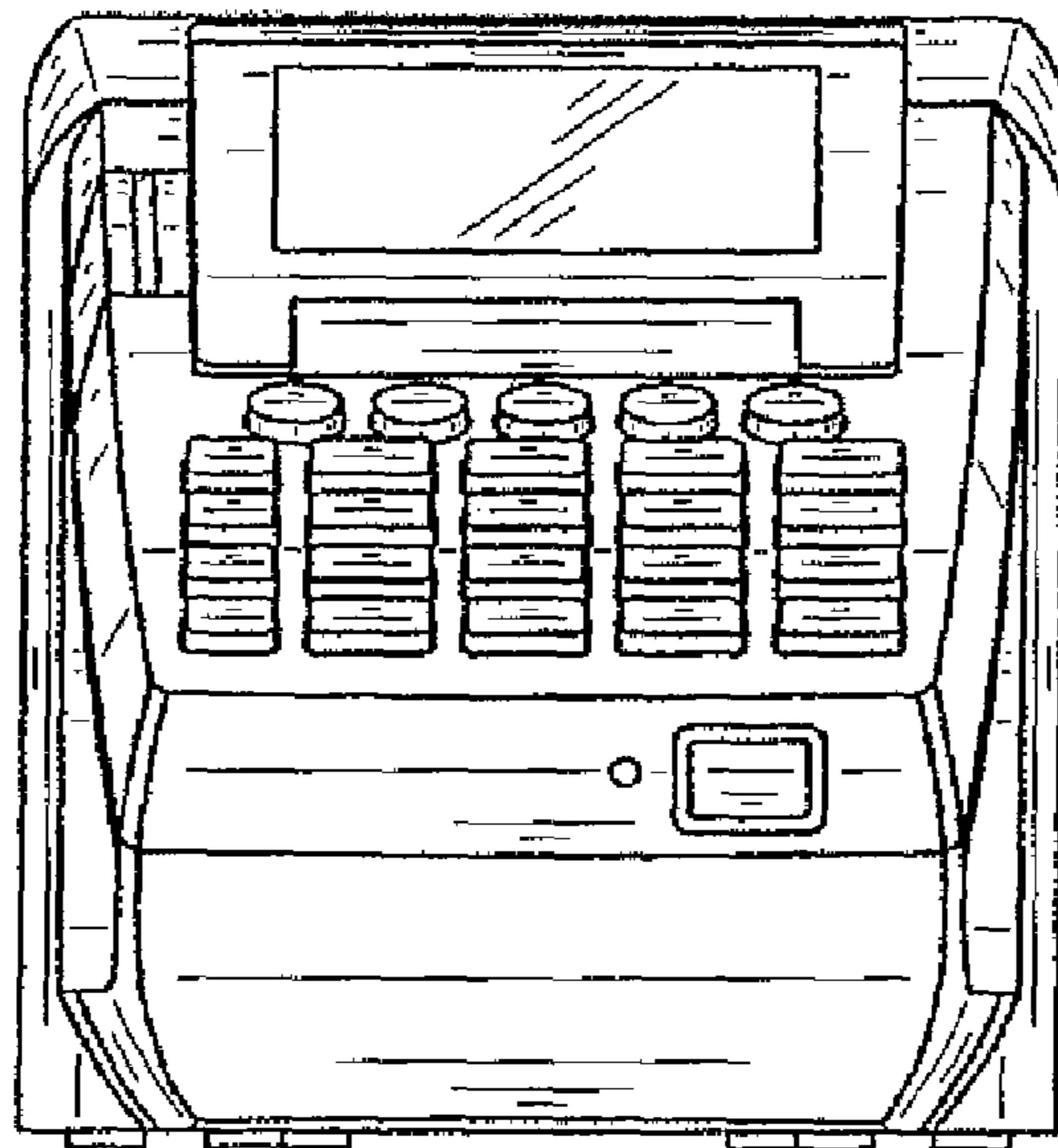


FIG. 2

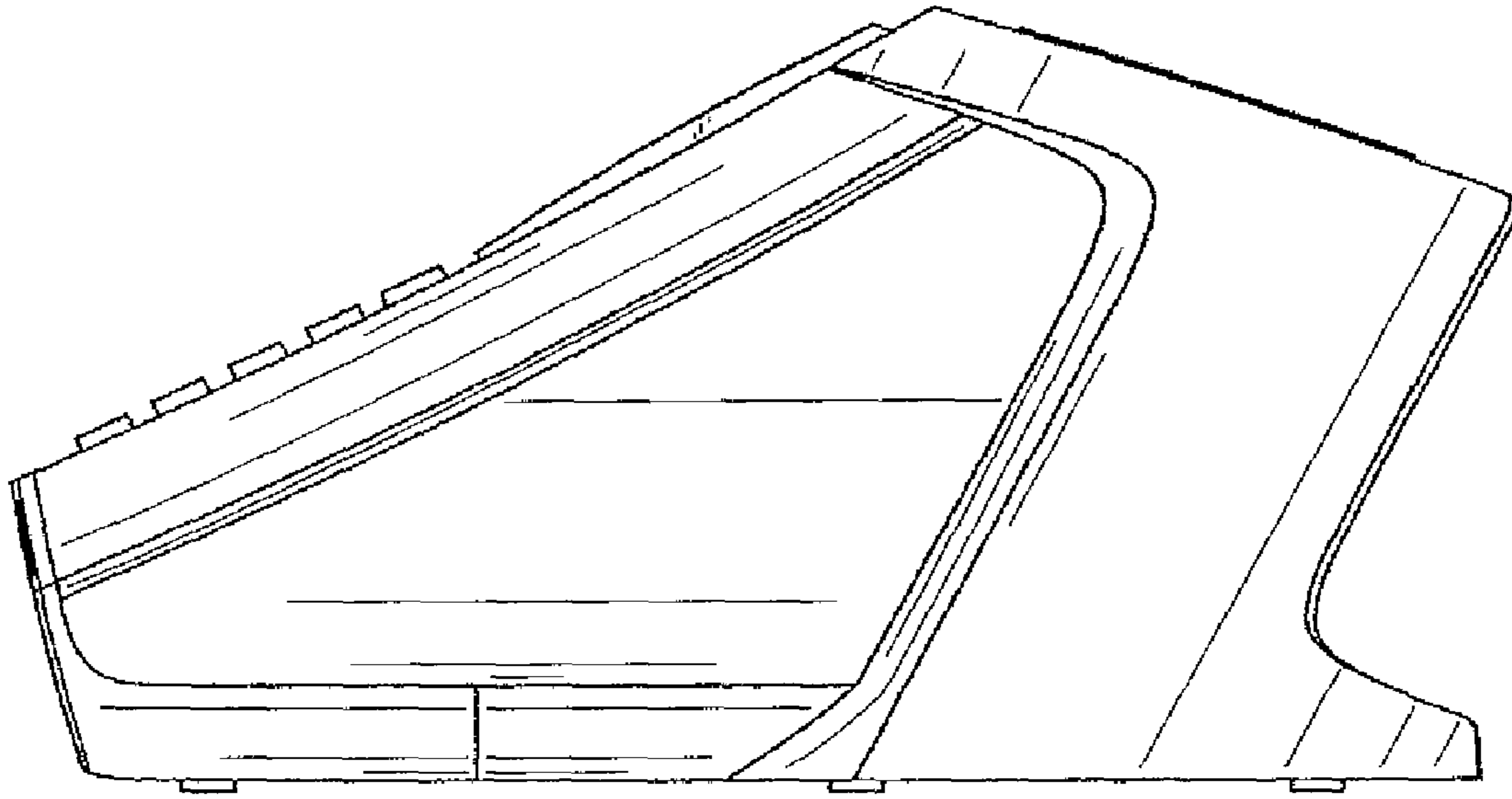


FIG. 3

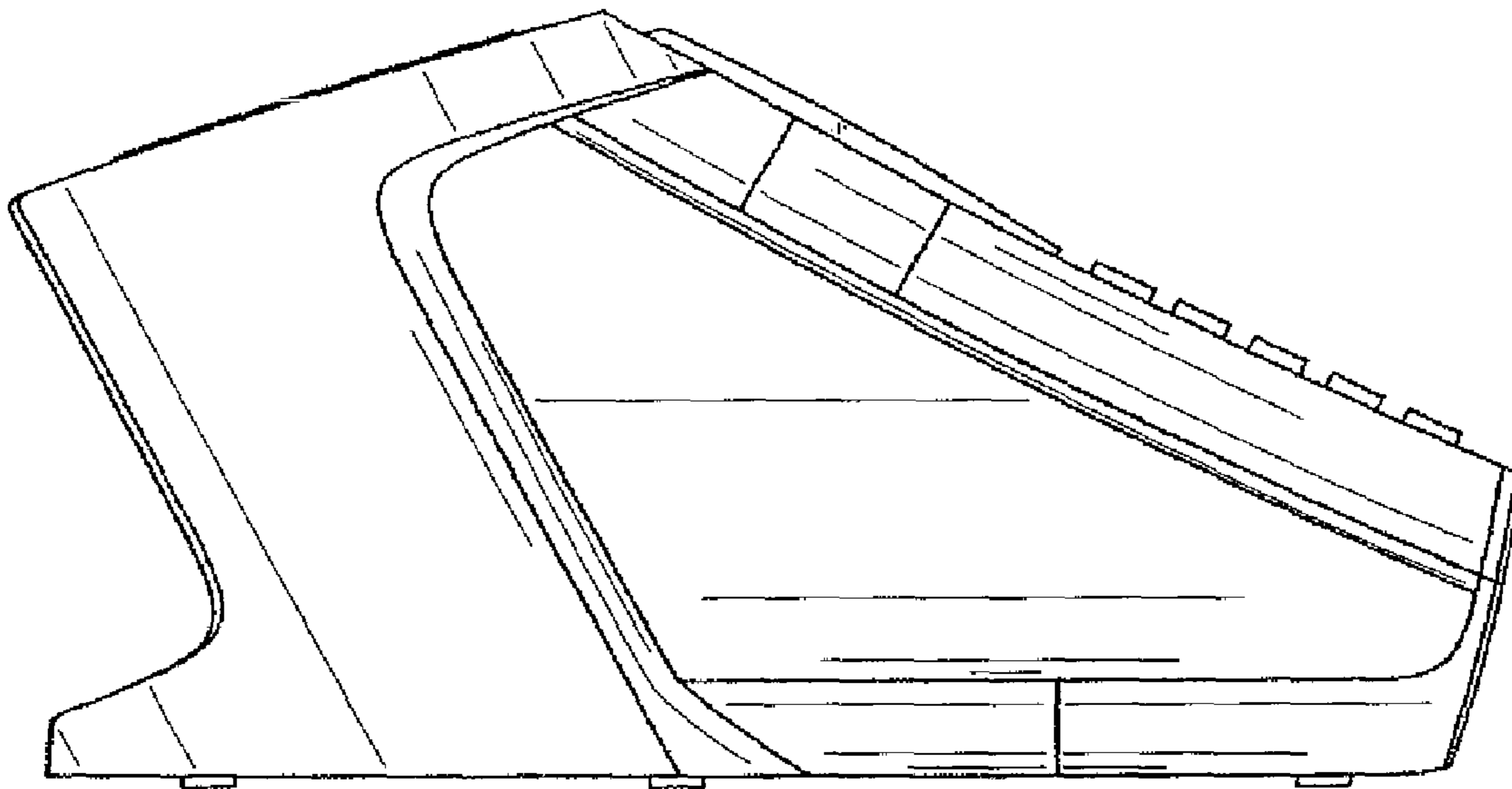


FIG. 4

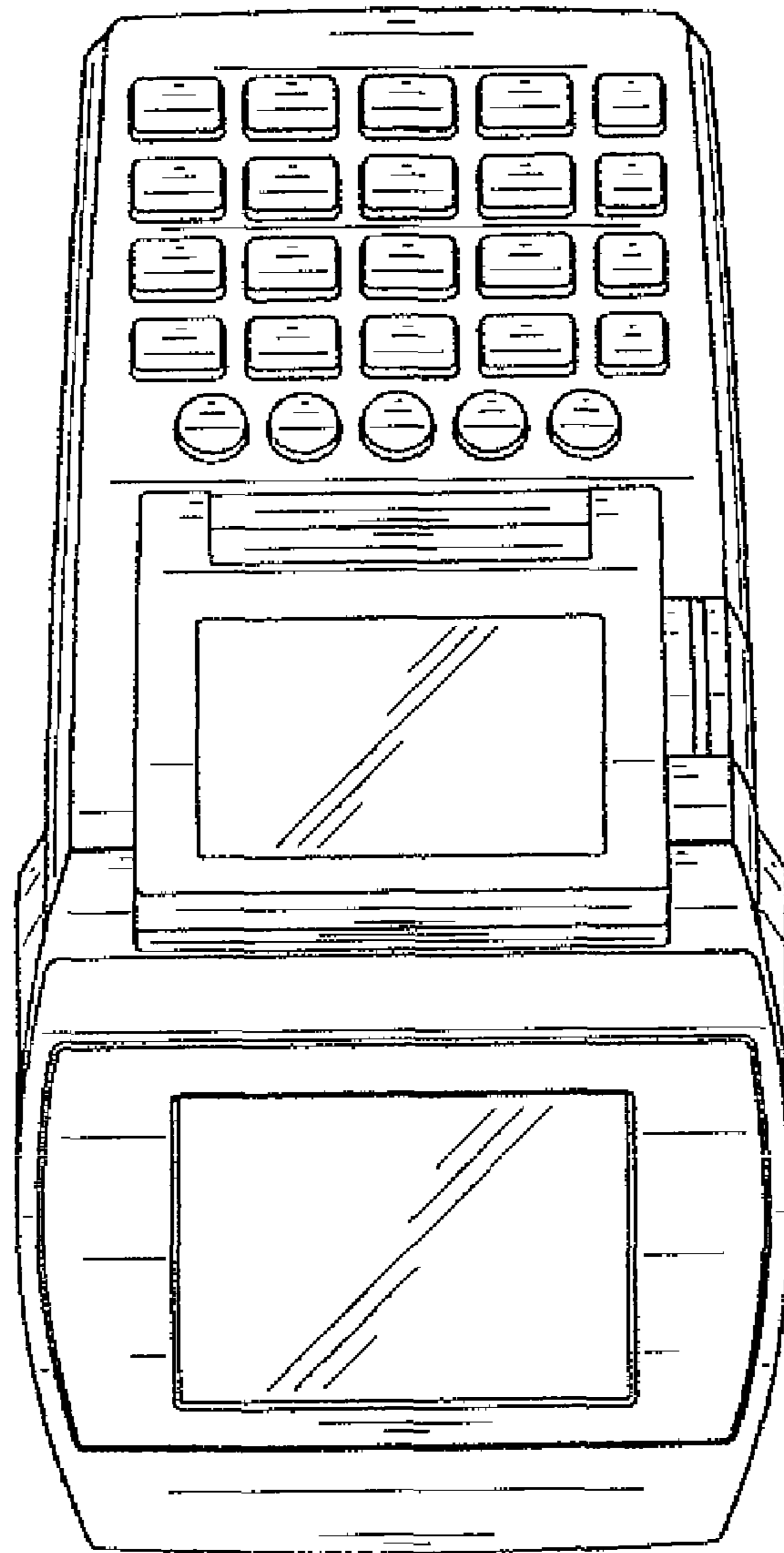


FIG. 5

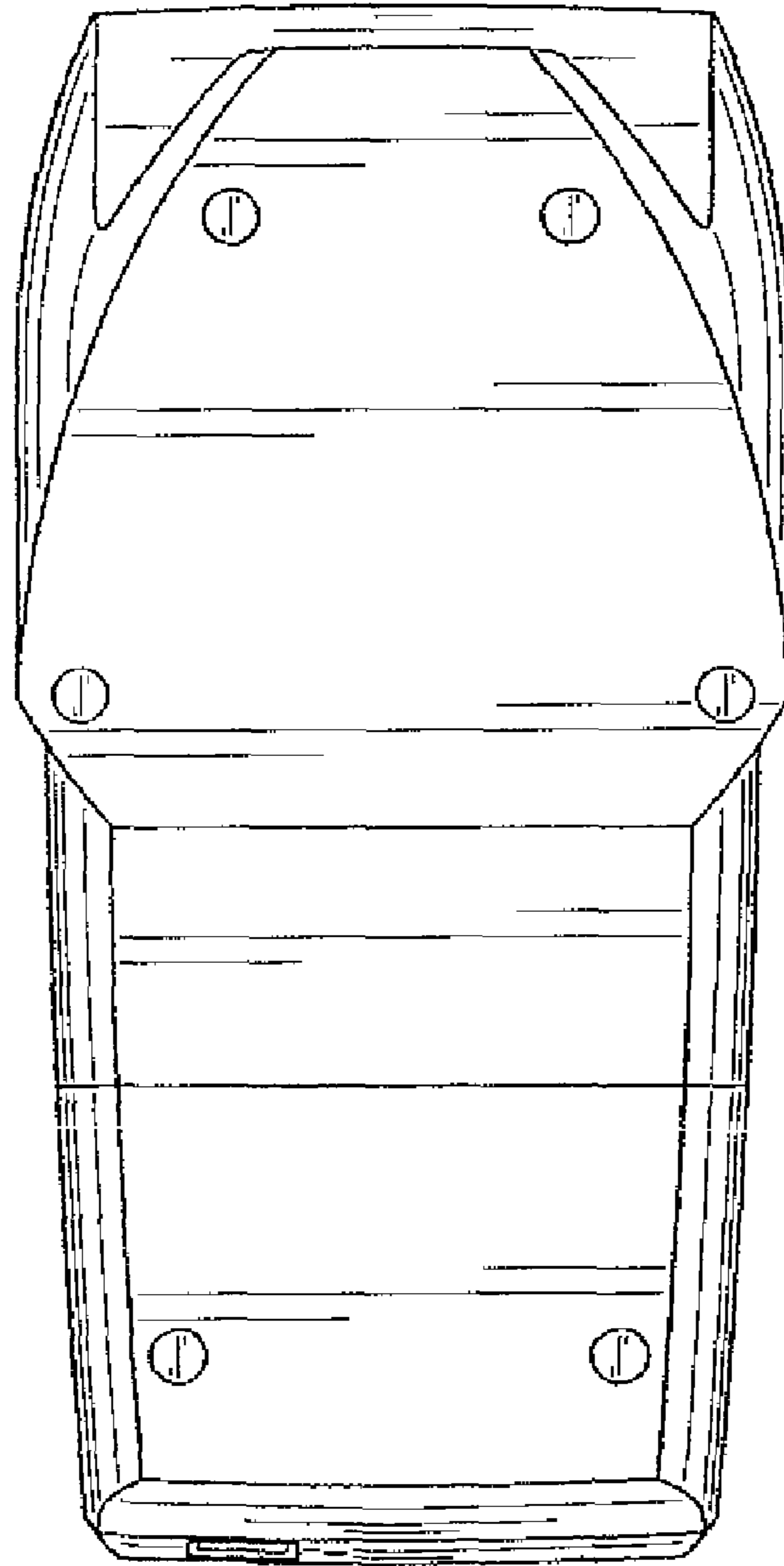


FIG. 6

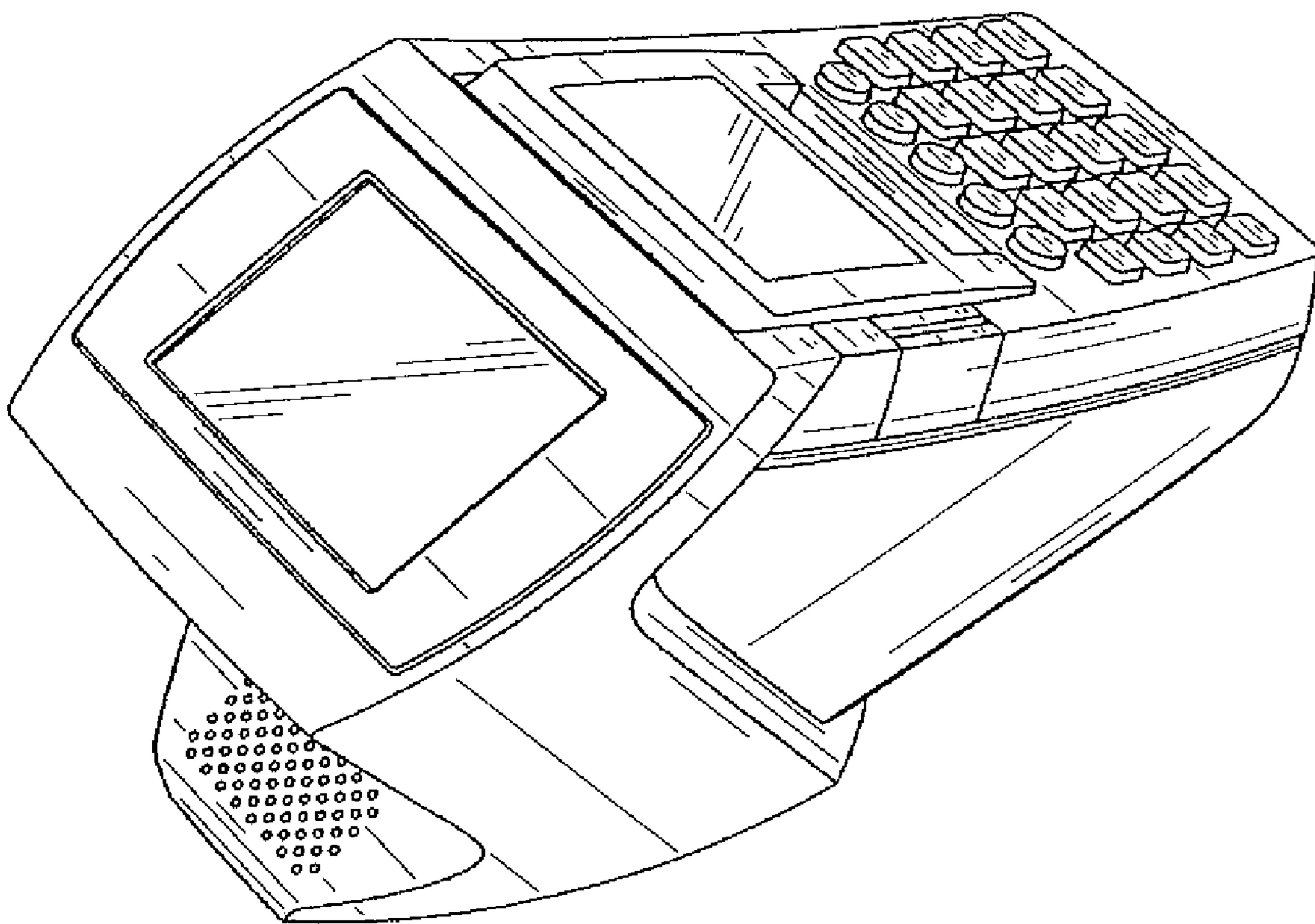


FIG. 7