



US00D621833S

(12) **United States Design Patent**
Chang et al.

(10) **Patent No.:** **US D621,833 S**

(45) **Date of Patent:** **** Aug. 17, 2010**

(54) **DISPLAY**

(75) Inventors: **Chia Hui Chang**, Taipei County (TW);
Wei Ming Shih, Taipei County (TW)

(73) Assignee: **Amtran Technology Co., Ltd**, Taipei
County (TW)

(**) Term: **14 Years**

(21) Appl. No.: **29/345,483**

(22) Filed: **Oct. 16, 2009**

(51) **LOC (9) Cl.** **14-02**

(52) **U.S. Cl.** **D14/374**

(58) **Field of Classification Search** D14/371-376,
D14/125-129; 345/104, 156, 168, 173, 87,
345/1.1, 901-905; 341/12; 348/180, 184,
348/325, 739; 349/1, 2, 11, 58; 248/917-924,
248/278.1; 361/679.23, 679.08

See application file for complete search history.

(56) **References Cited**

U.S. PATENT DOCUMENTS

6,381,125 B1 * 4/2002 Mizoguchi et al. 361/679.08
D494,941 S * 8/2004 Kim D14/126
6,807,051 B2 * 10/2004 Takahashi 361/679.23
D522,509 S * 6/2006 Park et al. D14/375
D543,982 S * 6/2007 Hasegawa et al. D14/371

D544,861 S * 6/2007 Hwang D14/375
D551,186 S * 9/2007 Yang et al. D14/126
D556,160 S * 11/2007 Lee et al. D14/126
D563,335 S * 3/2008 Murata et al. D14/126
D585,062 S * 1/2009 Ding et al. D14/375
D595,295 S * 6/2009 Shim D14/374
2004/0217244 A1 * 11/2004 Wu et al. 248/278.1

* cited by examiner

Primary Examiner—Freda S Nunn

(74) *Attorney, Agent, or Firm*—Morris, Manning & Martin
LLP; Tim Tingkang Xia, Esq.

(57) **CLAIM**

The ornamental design for a “display,” as shown and
described.

DESCRIPTION

FIG. 1 is a perspective view of display showing our new
design;

FIG. 2 is a front view thereof;

FIG. 3 is a rear view thereof;

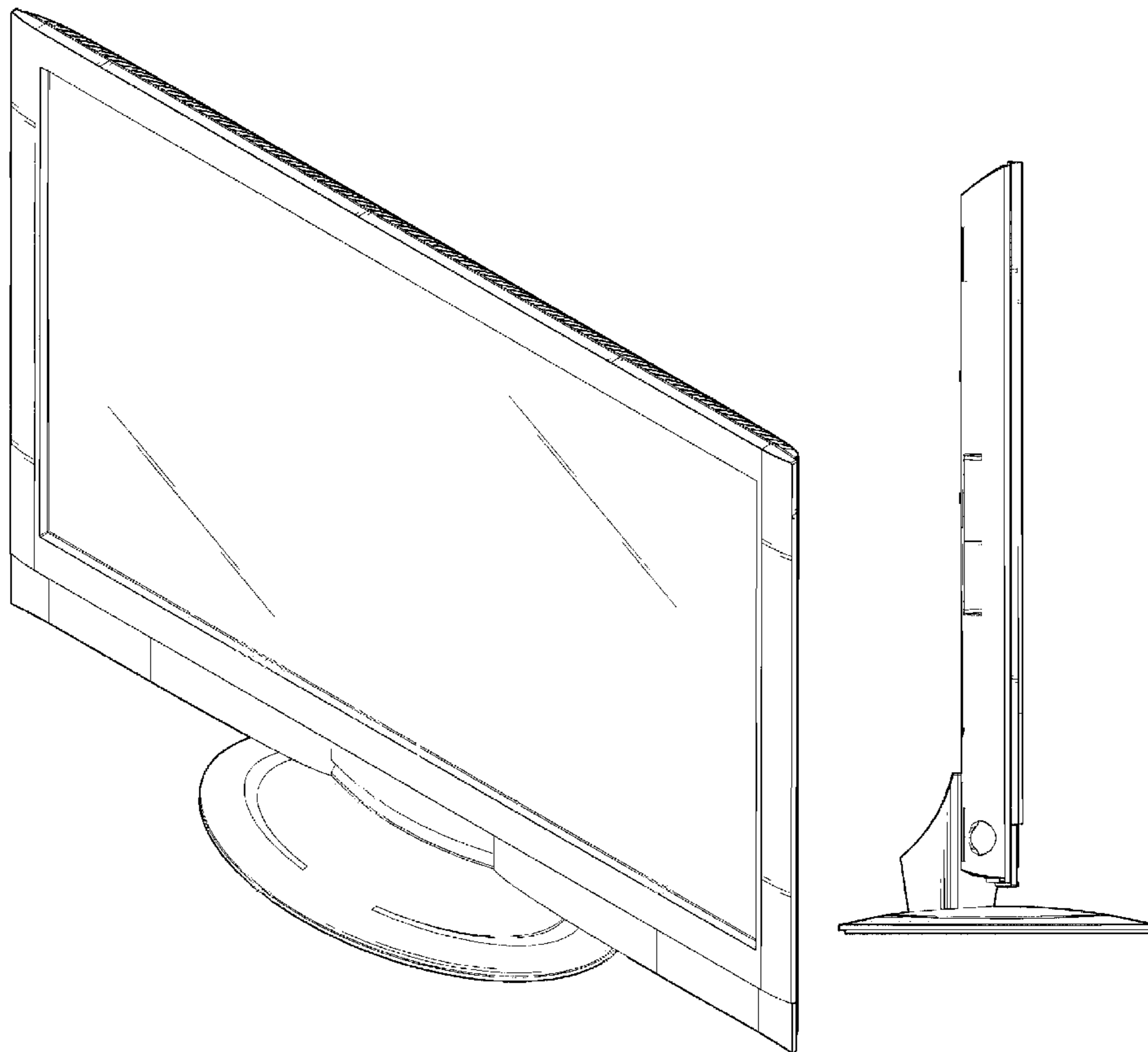
FIG. 4 is a left side elevational view thereof;

FIG. 5 is a right side elevational view thereof;

FIG. 6 is a top view thereof; and,

FIG. 7 is a bottom view thereof.

1 Claim, 5 Drawing Sheets



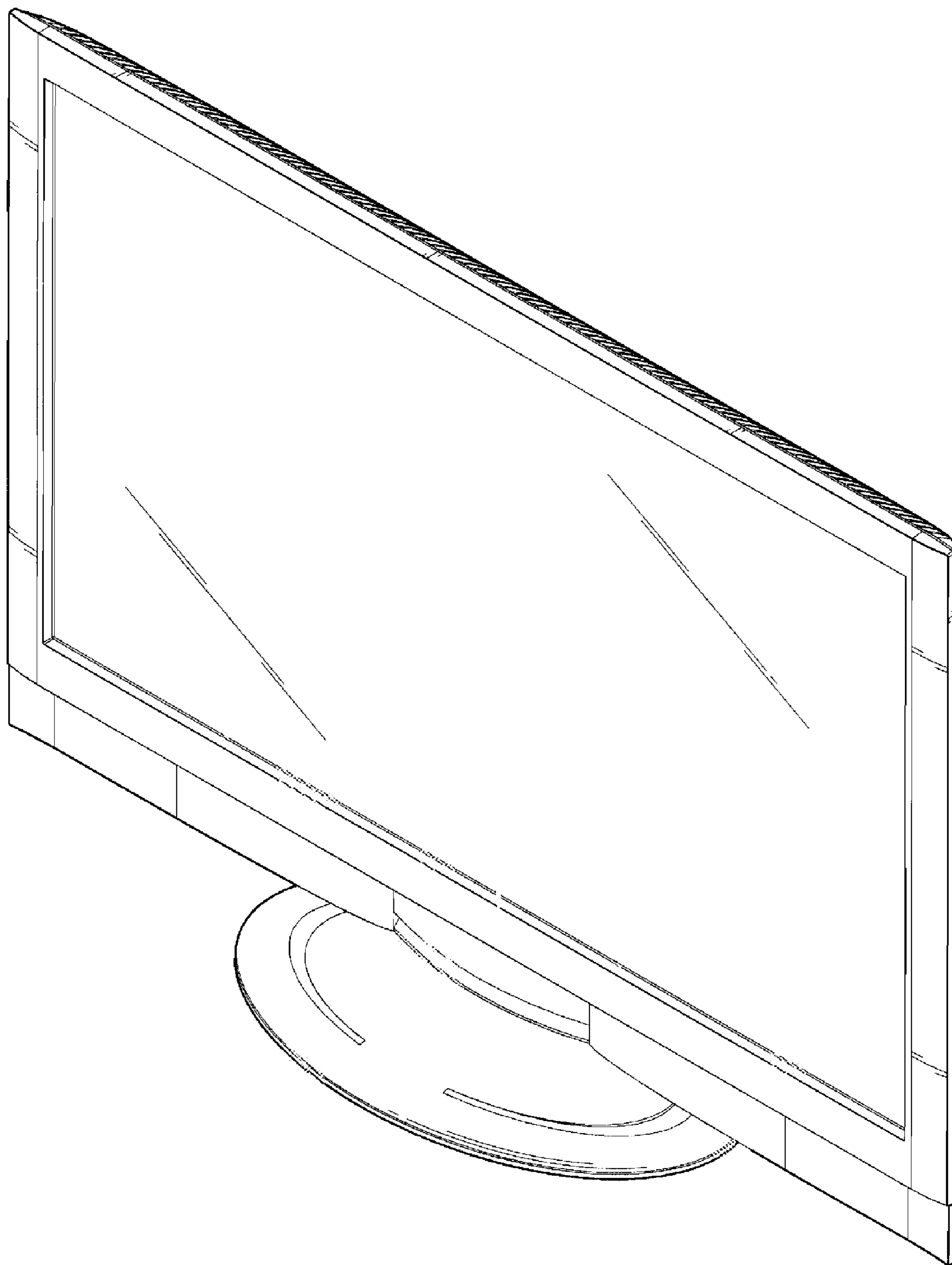


FIG.1

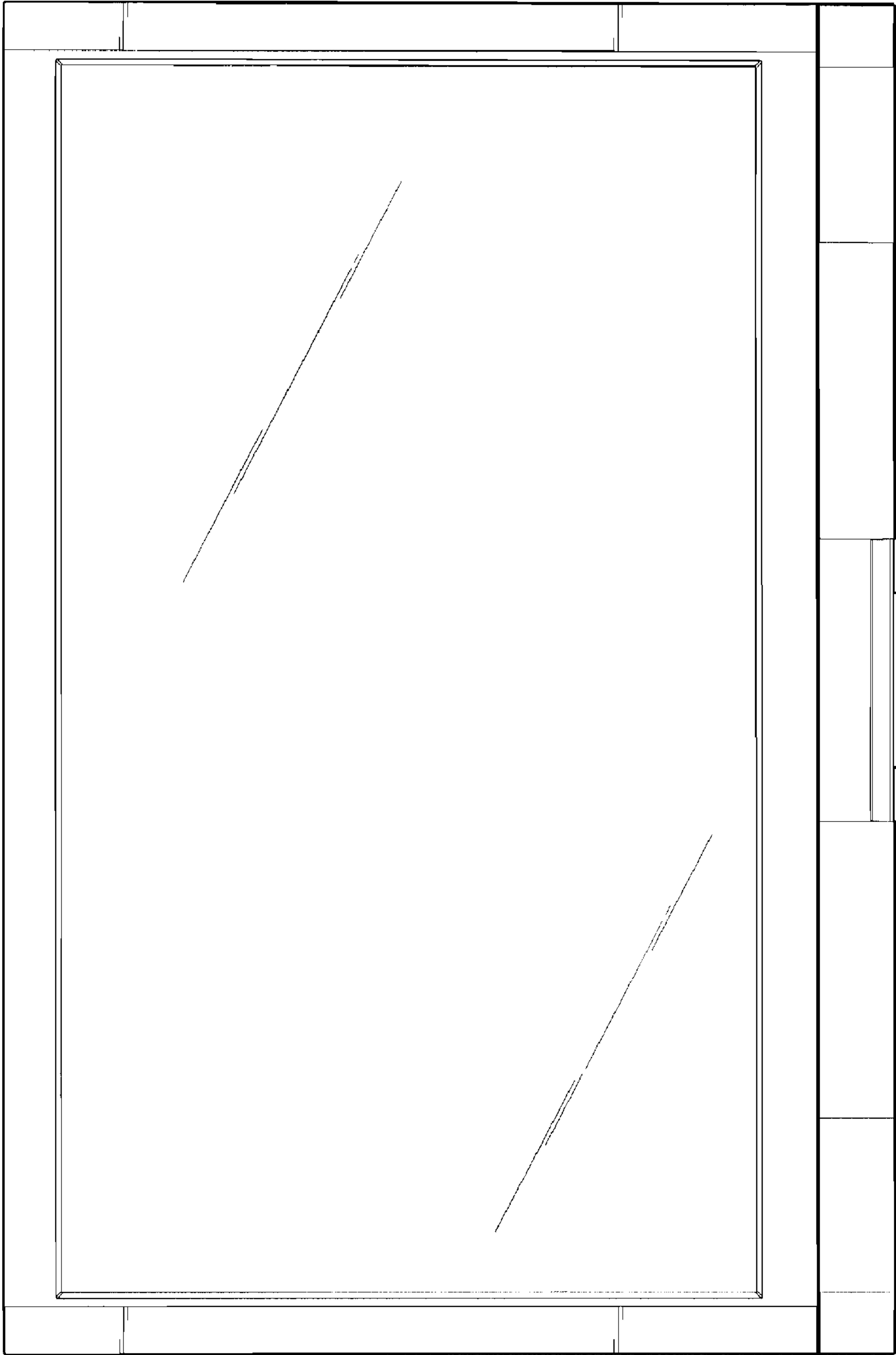


FIG.2

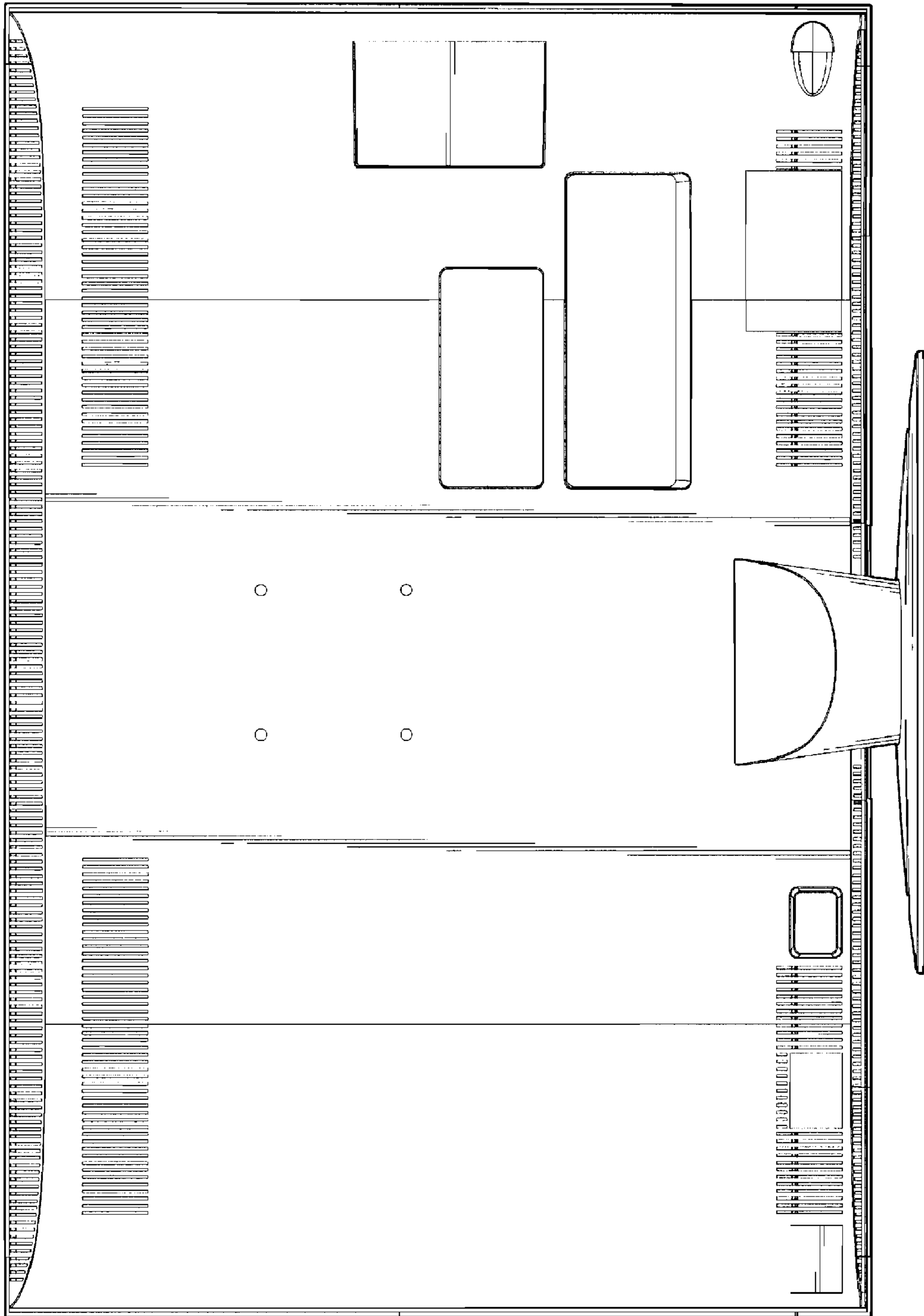


FIG.3

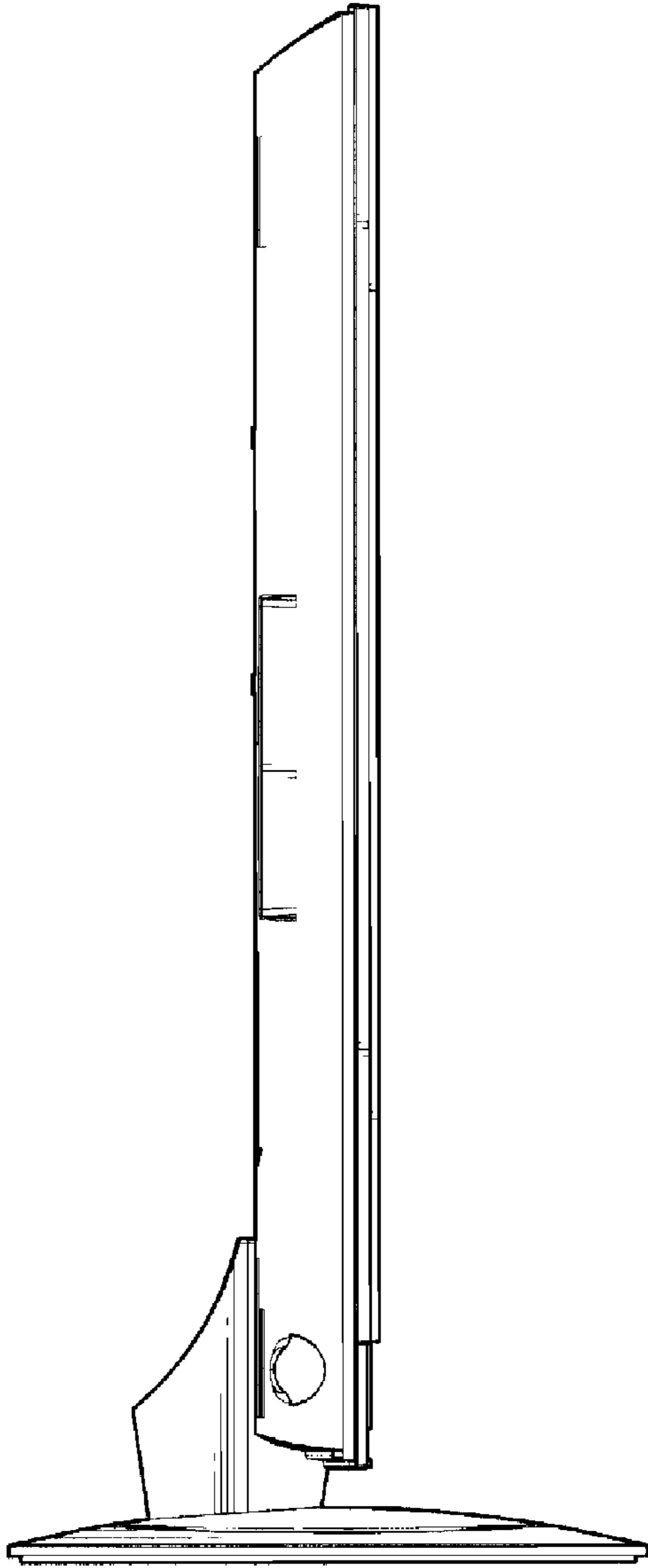


FIG. 4

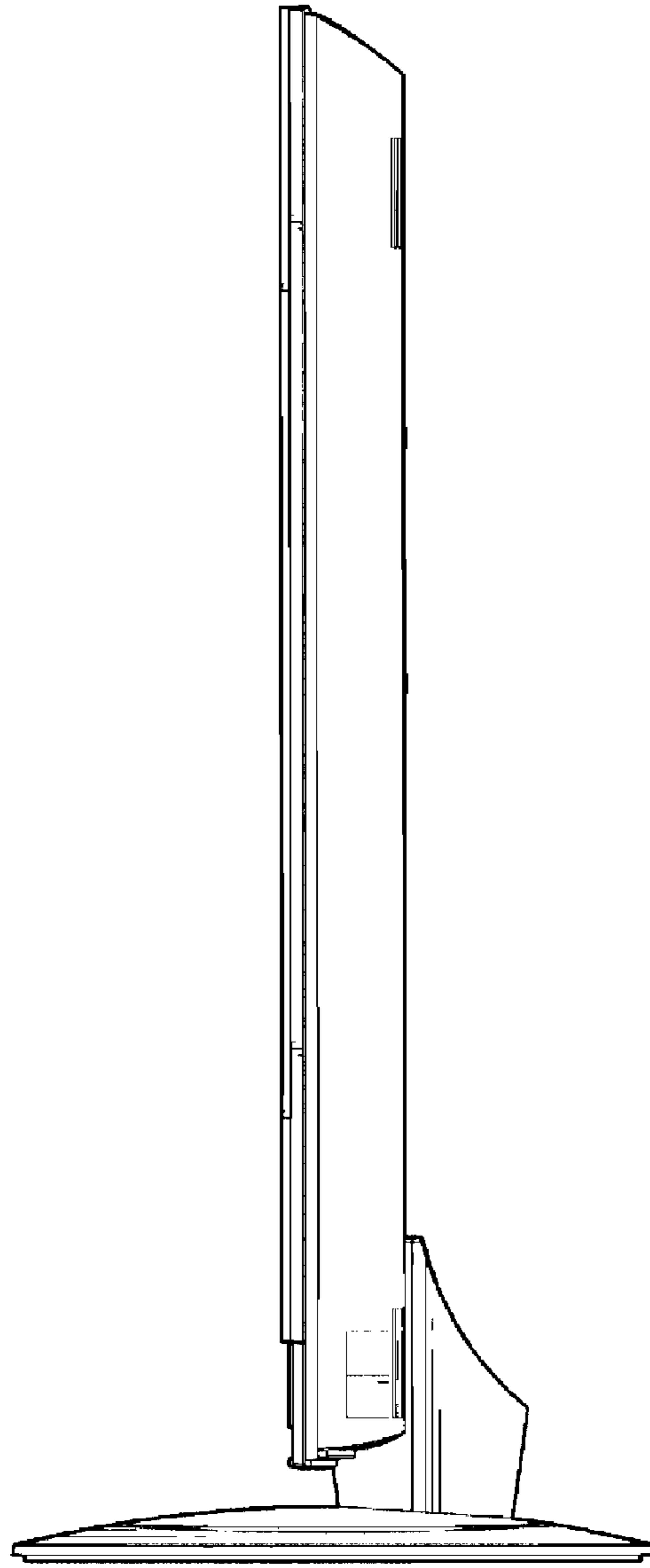


FIG. 5

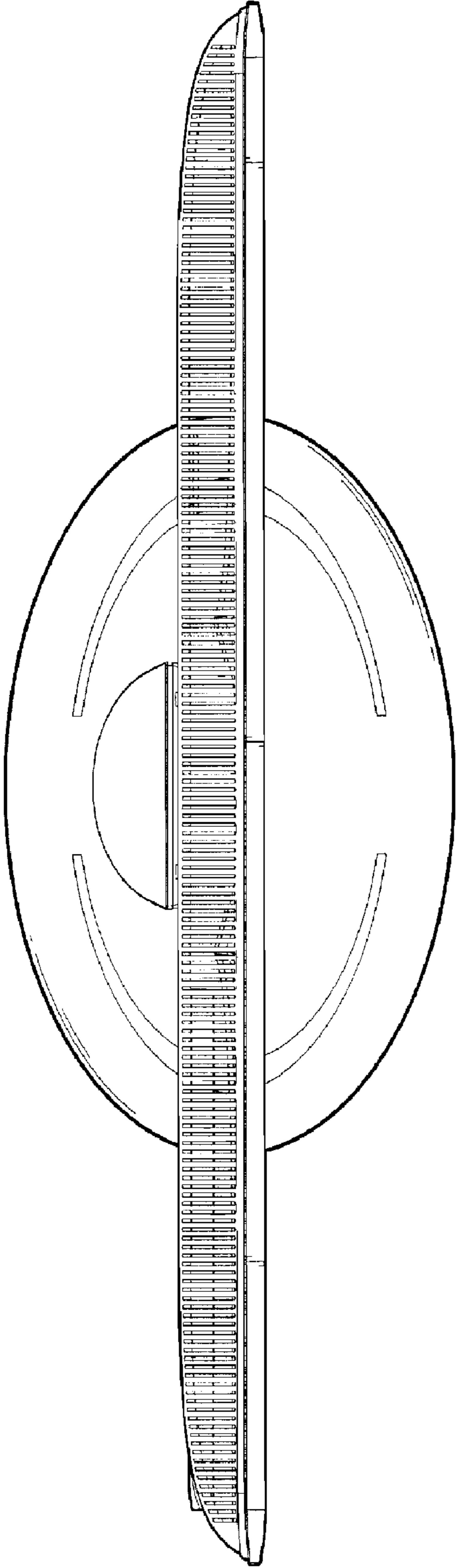


FIG. 6

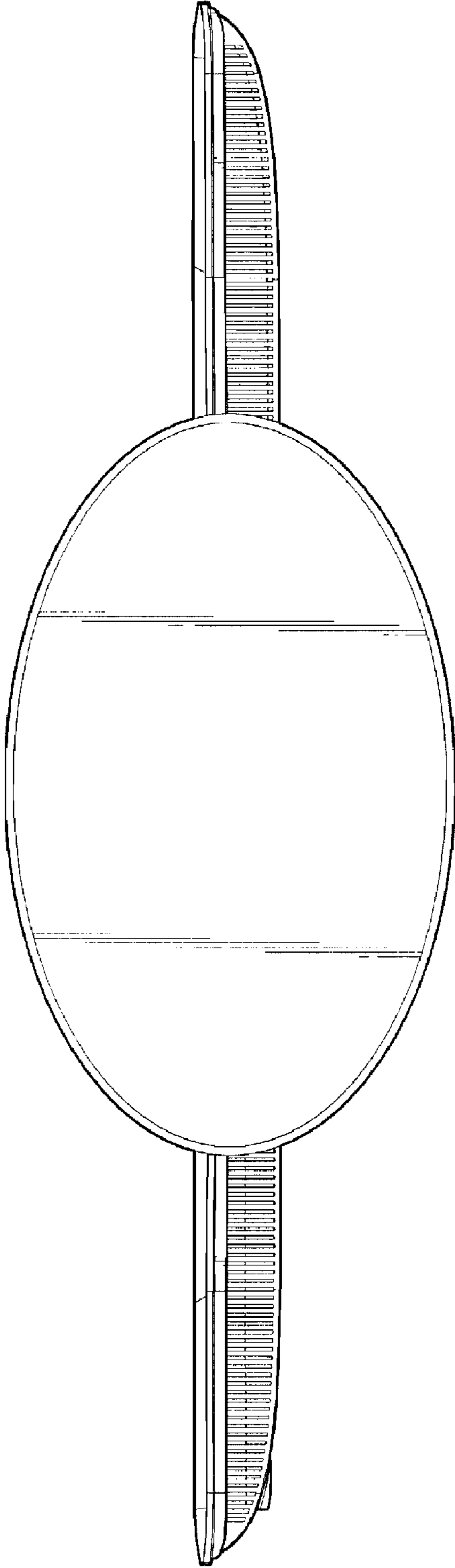


FIG. 7