



US00D621831S

(12) **United States Design Patent**
Whitcomb et al.

(10) **Patent No.:** **US D621,831 S**

(45) **Date of Patent:** **** Aug. 17, 2010**

(54) **DONGLE FOR USE WITH A VIDEO INSPECTION DEVICE**

(75) Inventors: **Shepherd Whitcomb**, Ann Arbor, MI (US); **Jeff Miller**, Northville, MI (US)

(73) Assignee: **Perceptron, Inc.**, Plymouth, MI (US)

(**) Term: **14 Years**

(21) Appl. No.: **29/343,533**

(22) Filed: **Sep. 15, 2009**

(51) **LOC (9) Cl.** **14-03**

(52) **U.S. Cl.** **D14/358; D10/103**

(58) **Field of Classification Search** D10/78, D10/104, 46; D16/202; 250/208.1, 330, 250/336.1, 338.1, 339.03, 395, 256; 348/65-68, 348/77, 141, 84, 45; 362/1, 109, 294, 373, 362/399; 713/176; 324/329, 67, 326; 73/623, 73/865.8, 151; 356/241, 237, 378; 15/324, 15/339; 385/116, 117; 29/729, 592.1, 593; 710/300, 301; 439/585, 587, 588, 589, 131, 439/135-147; 600/109, 129, 131, 175, 177; D14/411, 433, 435.1, 436, 137, 155, 167, D14/168, 203.1-203.8, 240, 242, 299, 480.1-480.7, D14/484.1; D13/107, 108, 149, 184
See application file for complete search history.

(56) **References Cited**

U.S. PATENT DOCUMENTS

6,461,170 B1 * 10/2002 Oliphant et al. 439/76.1
D471,543 S * 3/2003 Yang et al. D14/240

D585,060 S * 1/2009 Han D14/358
D586,809 S * 2/2009 Jones et al. D14/358
7,558,899 B2 * 7/2009 Yip 710/300
D599,795 S * 9/2009 Lindley D14/358
7,597,250 B2 * 10/2009 Finn 235/380
D603,864 S * 11/2009 Borislow D14/435.1
D605,587 S * 12/2009 Nomi et al. D13/107
D610,156 S * 2/2010 Mudrick D14/480.5
D610,538 S * 2/2010 Wu et al. D13/103
7,686,629 B1 * 3/2010 Yu et al. 439/136

* cited by examiner

Primary Examiner—Antoine D Davis

(74) *Attorney, Agent, or Firm*—Harness, Dickey & Pierce, P.L.C.

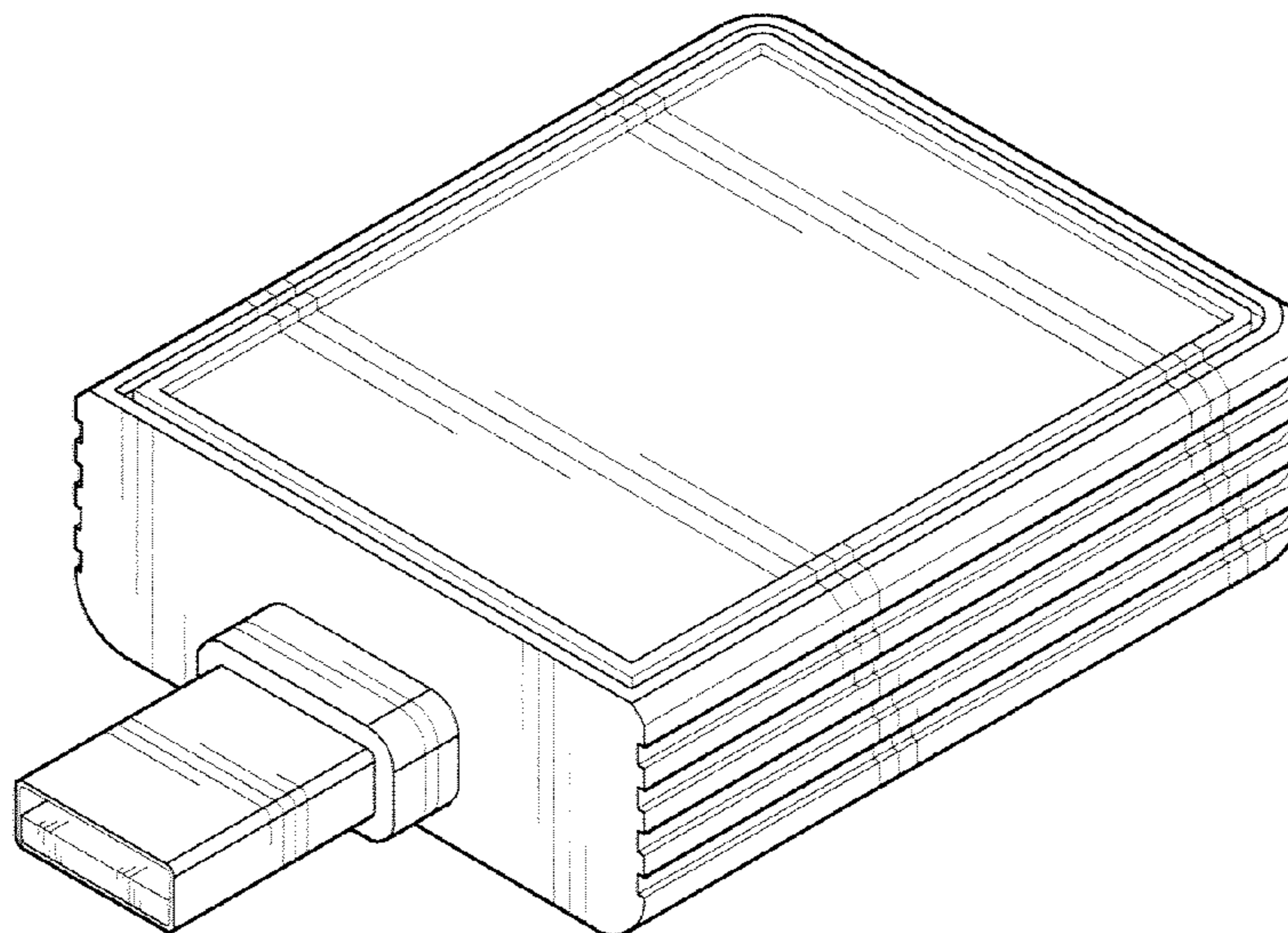
(57) **CLAIM**

The ornamental design for a dongle for use with a video inspection device, as shown and described.

DESCRIPTION

FIG. 1 is a perspective view of an embodiment of the dongle; FIG. 2 is a front view of the first embodiment of the housing; FIG. 3 is a rear view of the first embodiment of the housing; FIG. 4 is a side view of the first embodiment of the housing, the other side view being a mirror image thereof; FIG. 5 is a top view of the first embodiment of the housing; and, FIG. 6 is a bottom view of the first embodiment of the housing.

1 Claim, 2 Drawing Sheets



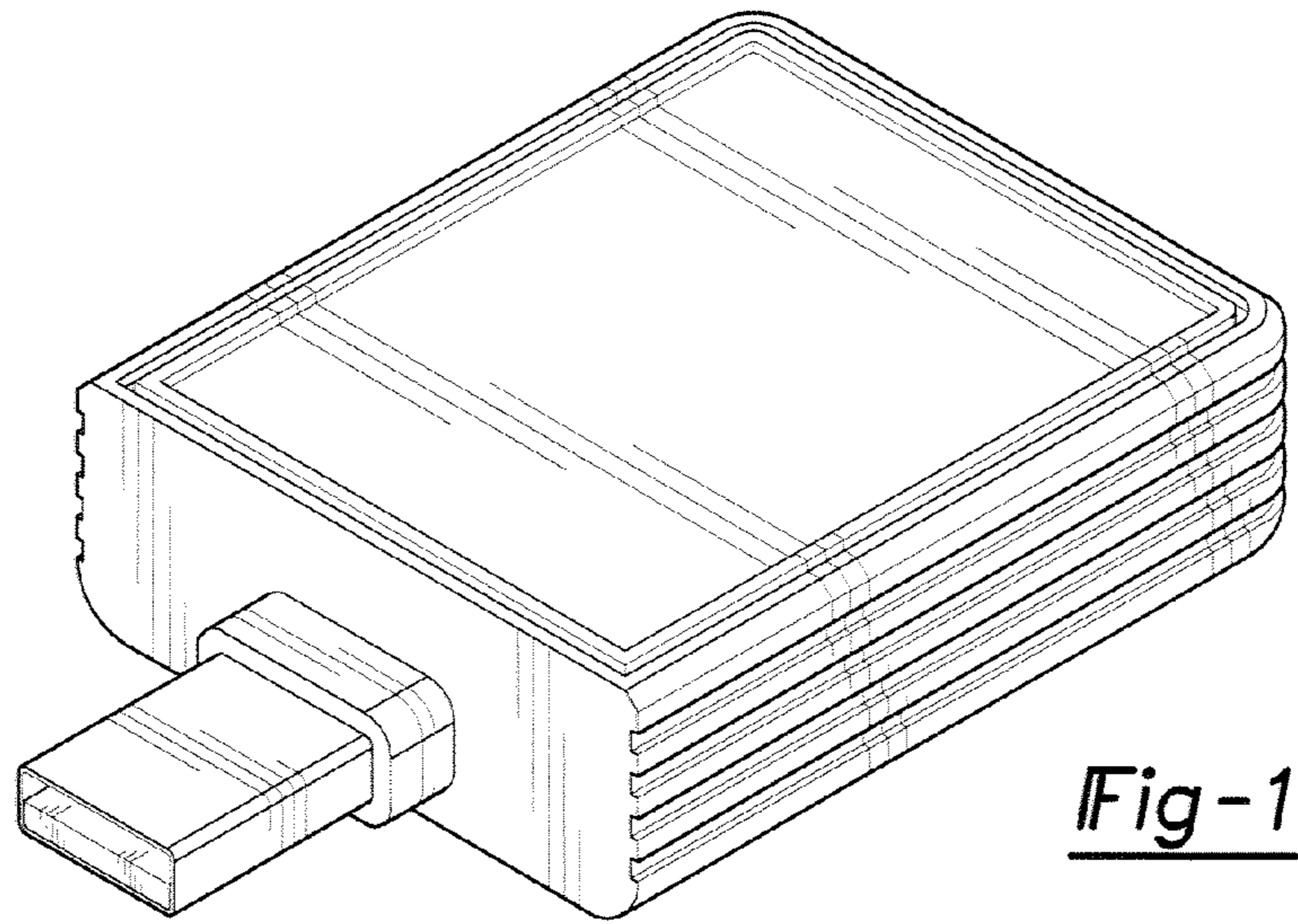


Fig-1

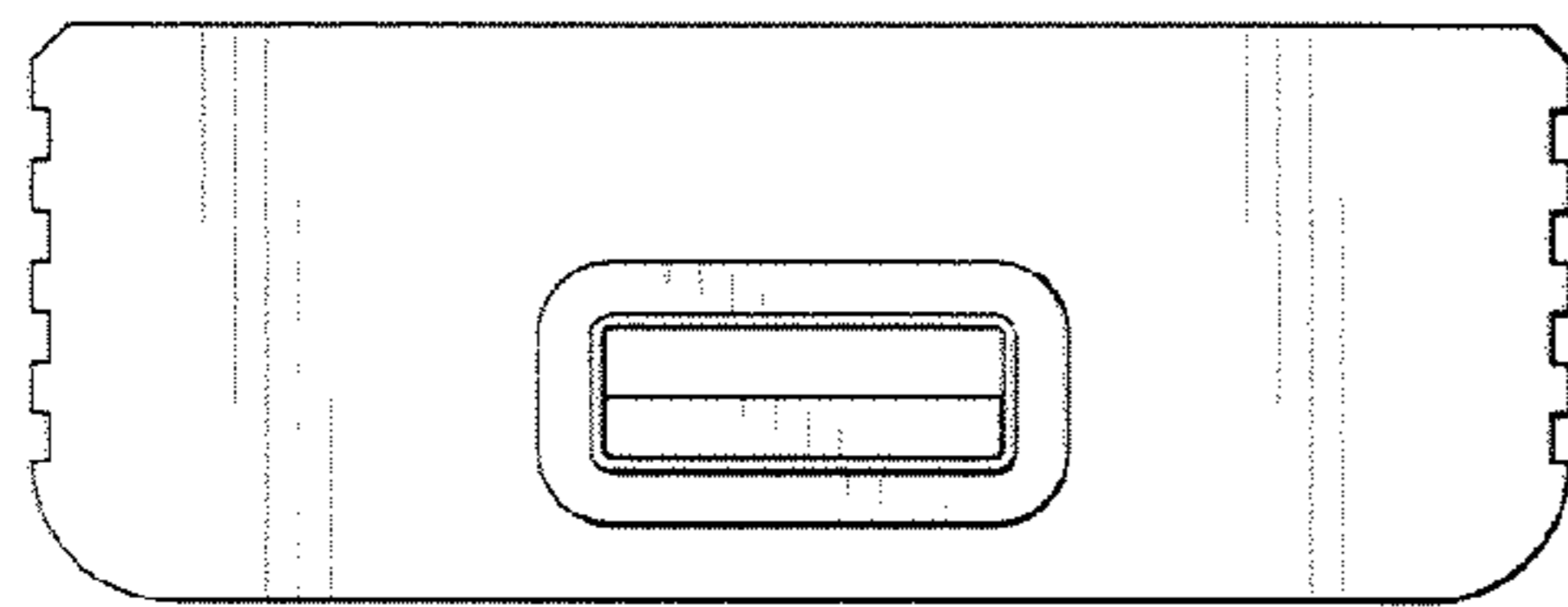


Fig-2

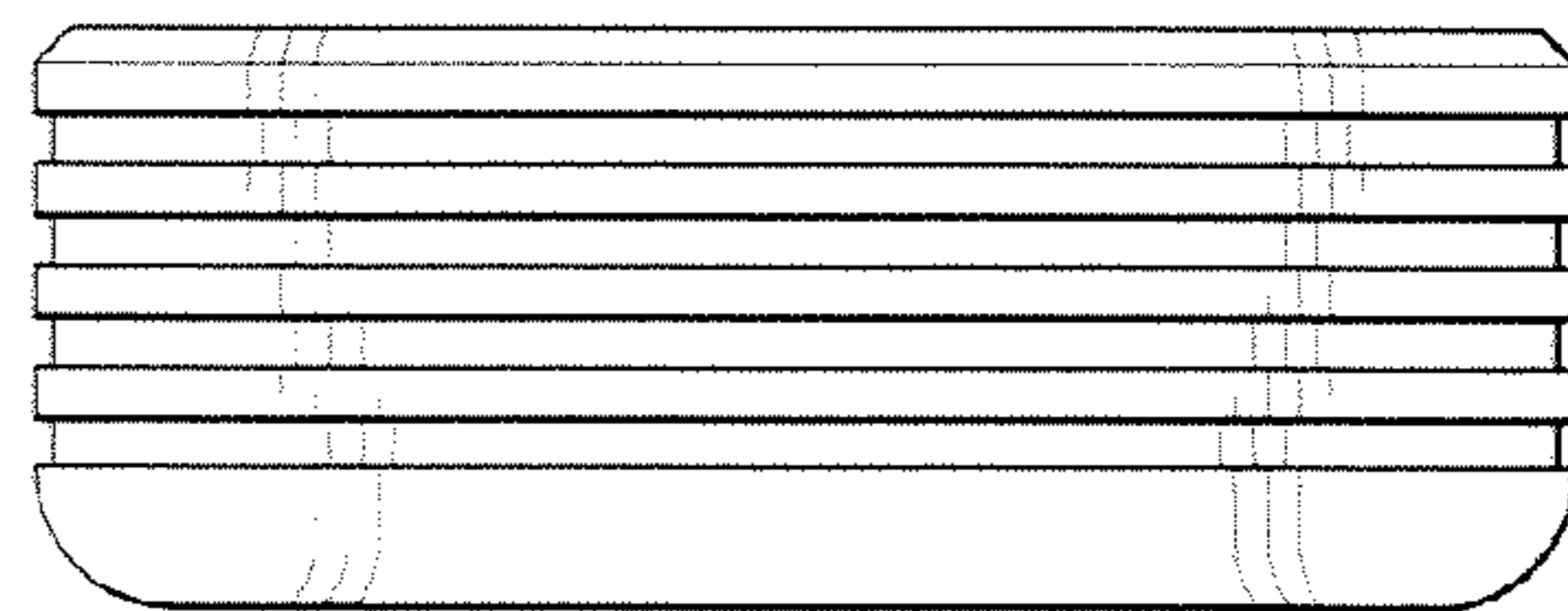


Fig-3

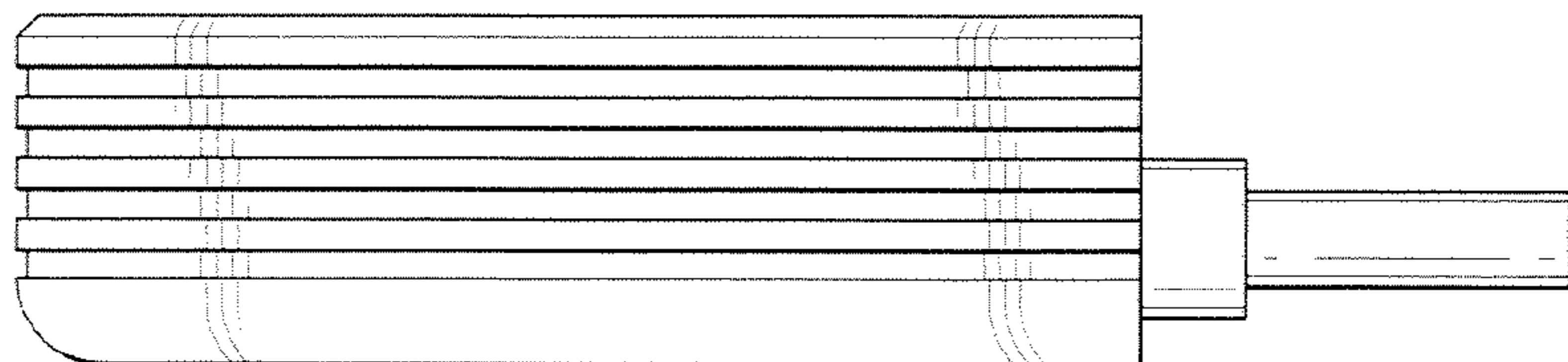


Fig-4

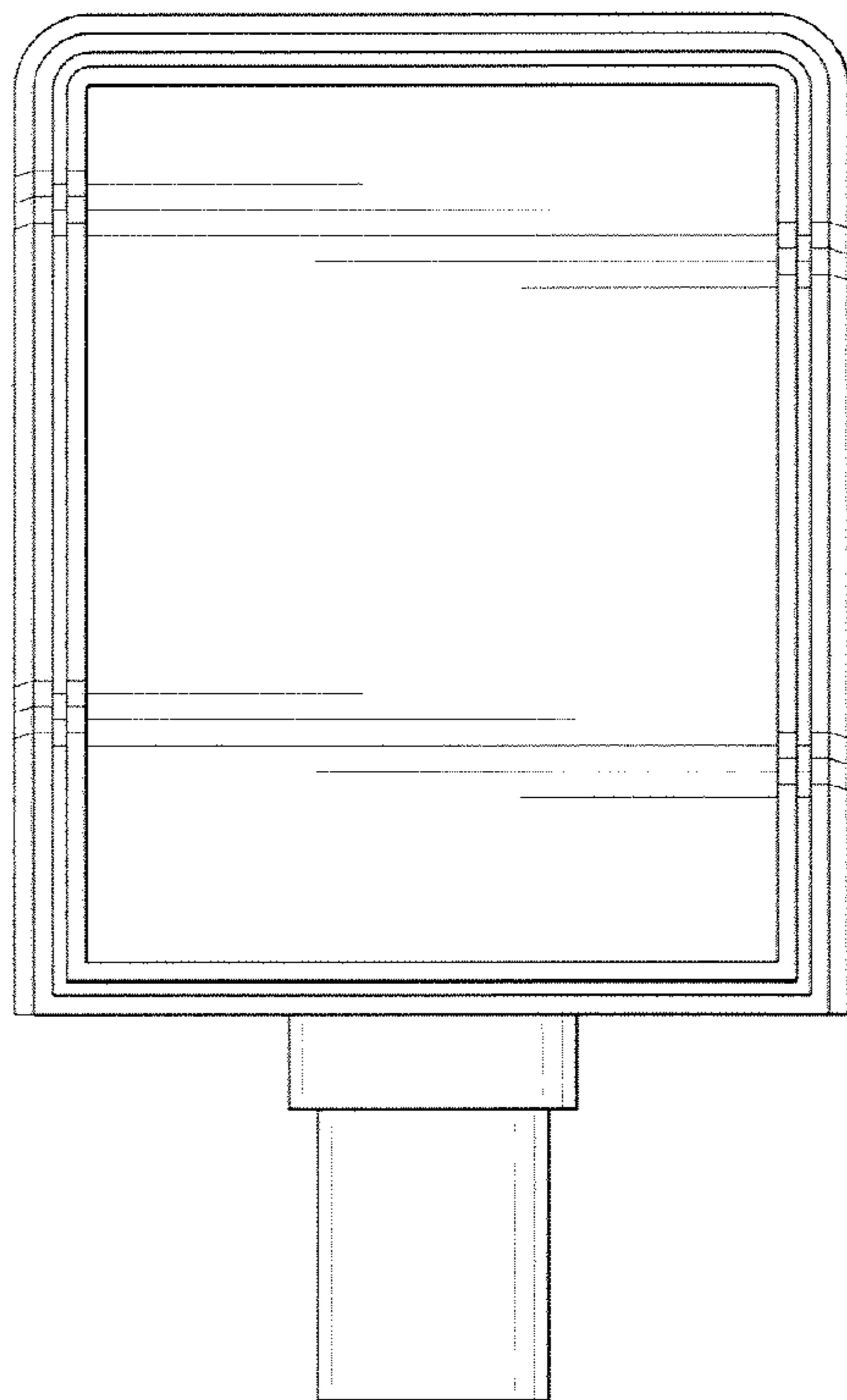


Fig-5

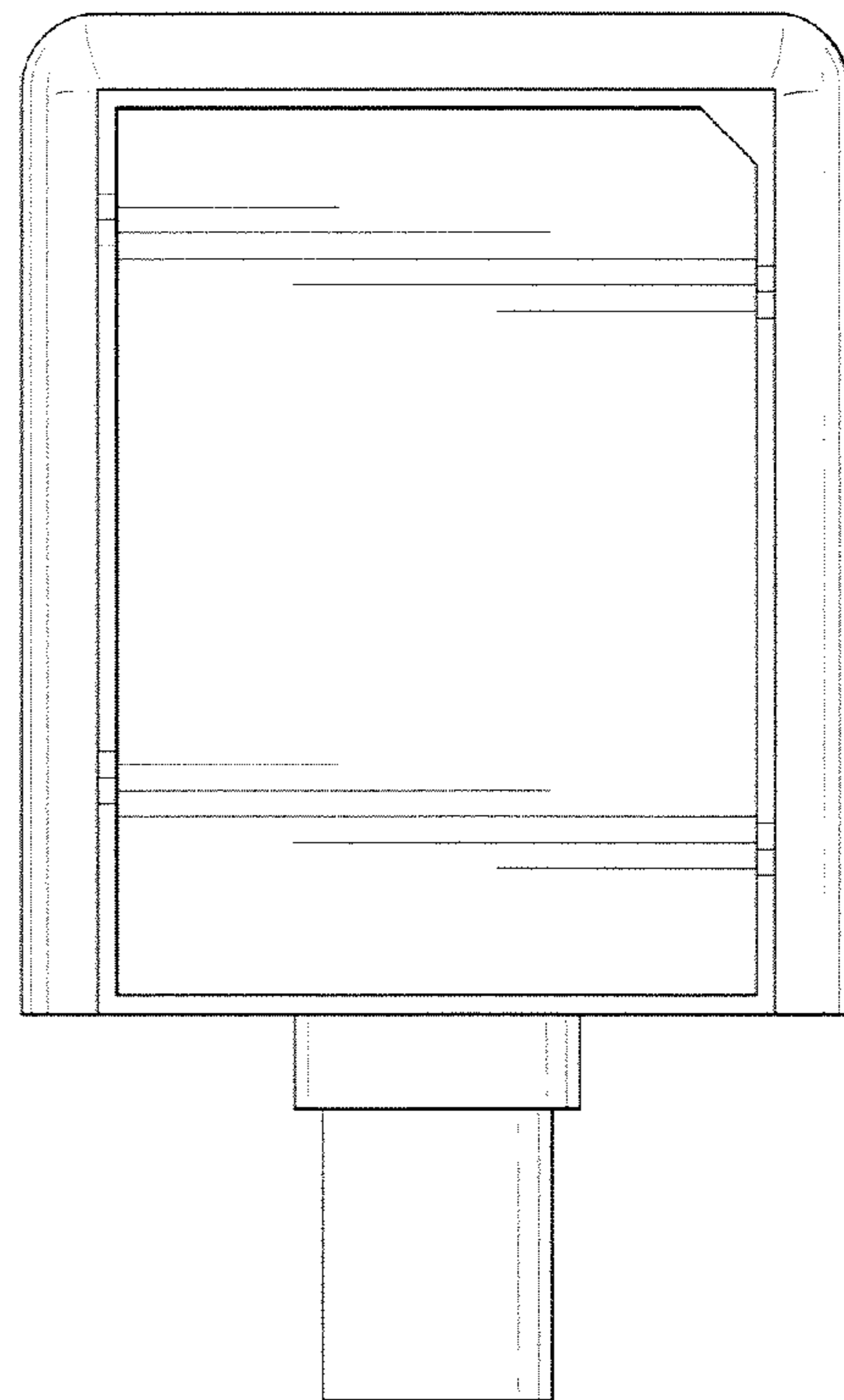


Fig-6