



US00D621829S

(12) **United States Design Patent**
Cheng

(10) **Patent No.:** **US D621,829 S**

(45) **Date of Patent:** **** Aug. 17, 2010**

(54) **PORTABLE ELECTRONIC DEVICE**

(75) Inventor: **Yung-Fa Cheng**, Taipei Hsien (TW)

(73) Assignee: **Hon Hai Precision Industry Co., Ltd.**,
Tu-Cheng, Taipei Hsien (TW)

(**) Term: **14 Years**

(21) Appl. No.: **29/352,785**

(22) Filed: **Dec. 28, 2009**

(30) **Foreign Application Priority Data**

Nov. 24, 2009 (CN) 2009 3 0326289

(51) **LOC (9) Cl.** **14-02**

(52) **U.S. Cl.** **D14/327**

(58) **Field of Classification Search** D14/315-327,
D14/331, 341, 345; D18/1, 2, 7; 345/1.1,
345/156, 168, 173; 361/679.01, 679.06,
361/679.08, 679.09, 679.15, 679.55

See application file for complete search history.

(56) **References Cited**

U.S. PATENT DOCUMENTS

5,255,214	A *	10/1993	Ma	361/679.06
5,267,123	A *	11/1993	Boothroyd et al.	361/679.09
5,808,862	A *	9/1998	Robbins	361/679.09
5,900,848	A *	5/1999	Haneda et al.	345/1.1
6,351,372	B1 *	2/2002	Kim	361/679.15
6,384,811	B1 *	5/2002	Kung et al.	345/168
6,492,974	B1 *	12/2002	Nobuchi et al.	345/156
D482,687	S *	11/2003	Chu	D14/316
6,665,175	B1 *	12/2003	deBoer et al.	361/679.06
D491,934	S *	6/2004	Shimano et al.	D14/318
6,842,338	B2 *	1/2005	Iredale	361/679.06
D514,098	S *	1/2006	Huang et al.	D14/315
D519,500	S *	4/2006	Maskatia et al.	D14/318

D528,541	S *	9/2006	Maskatia	D14/315
D535,292	S *	1/2007	Shi et al.	D14/315
7,164,578	B2 *	1/2007	Wang et al.	361/679.08
7,203,058	B2 *	4/2007	Hong	361/679.06
7,283,355	B2 *	10/2007	Han	361/679.55
D599,792	S *	9/2009	Lin	D14/331
2003/0103324	A1 *	6/2003	Gallivan	361/681
2004/0228076	A1 *	11/2004	Clapper	361/681
2005/0083644	A1 *	4/2005	Song	361/683
2006/0038795	A1 *	2/2006	Lee	345/173

* cited by examiner

Primary Examiner—Freda S Nunn

(74) *Attorney, Agent, or Firm*—Frank R. Niranjana

(57) **CLAIM**

The ornamental design for portable electronic device, as shown and described.

DESCRIPTION

FIG. 1 is a perspective view of a portable electronic device showing our design;

FIG. 2 is a front elevational view thereof;

FIG. 3 is a rear elevational view thereof;

FIG. 4 is a left side, elevational view thereof;

FIG. 5 is a right side, elevational view thereof;

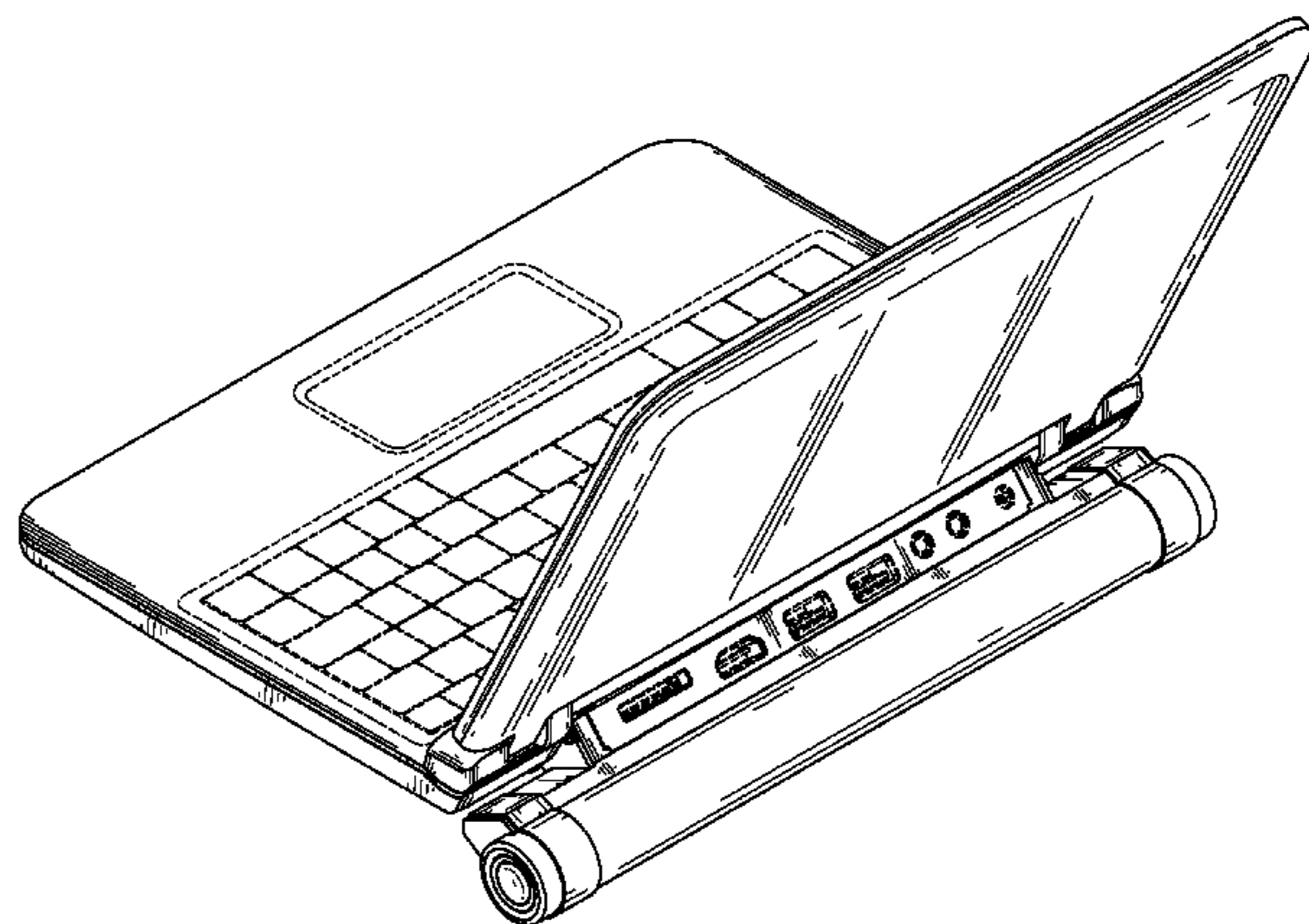
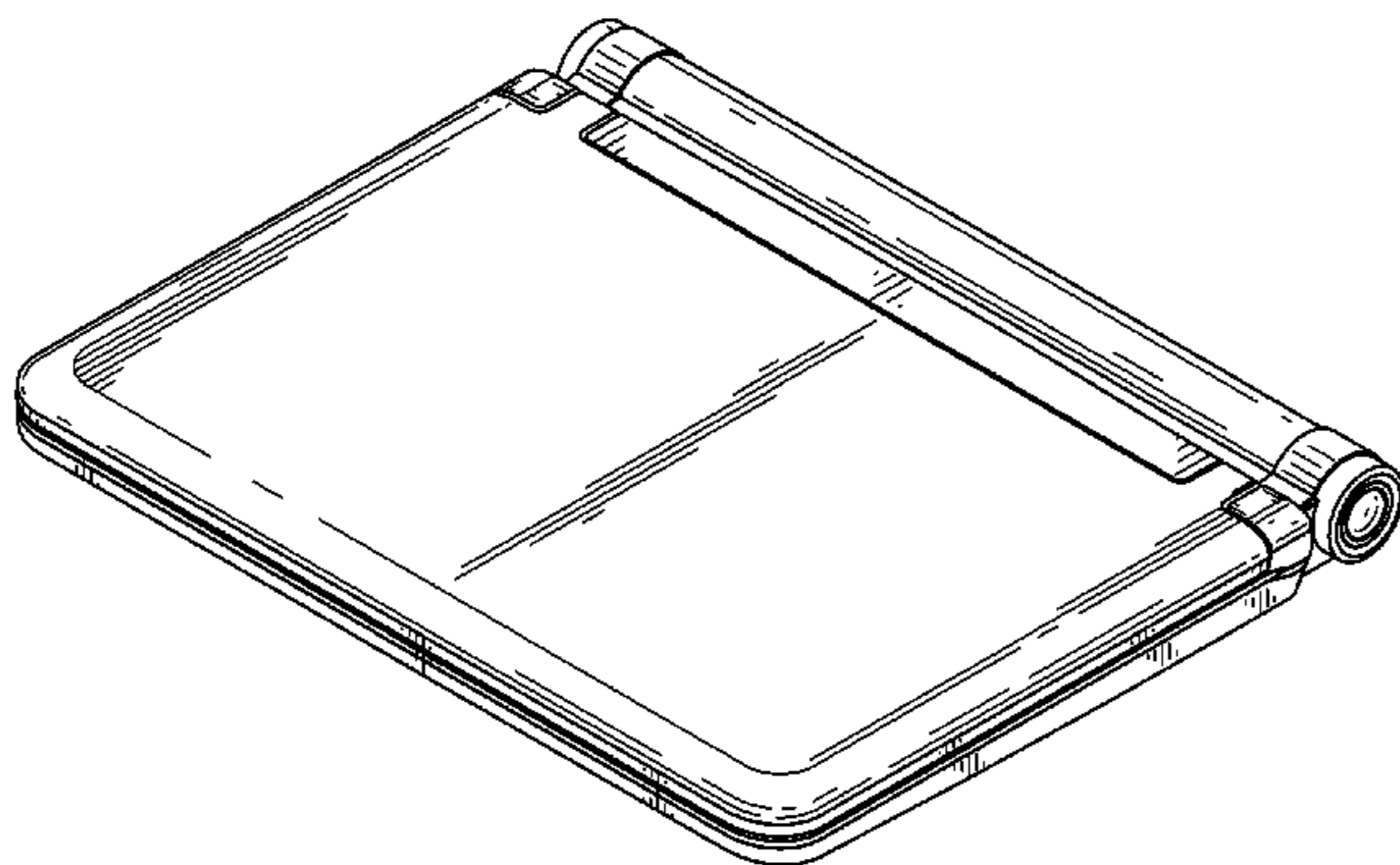
FIG. 6 is a top plan view thereof;

FIG. 7 is a bottom plan view thereof; and,

FIG. 8 is a perspective view of FIG. 1, with a cover and a connecting bar rotated.

Broken lines shown in the drawings illustrate portions of the portable electronic device, and form no part of the claimed design.

1 Claim, 8 Drawing Sheets



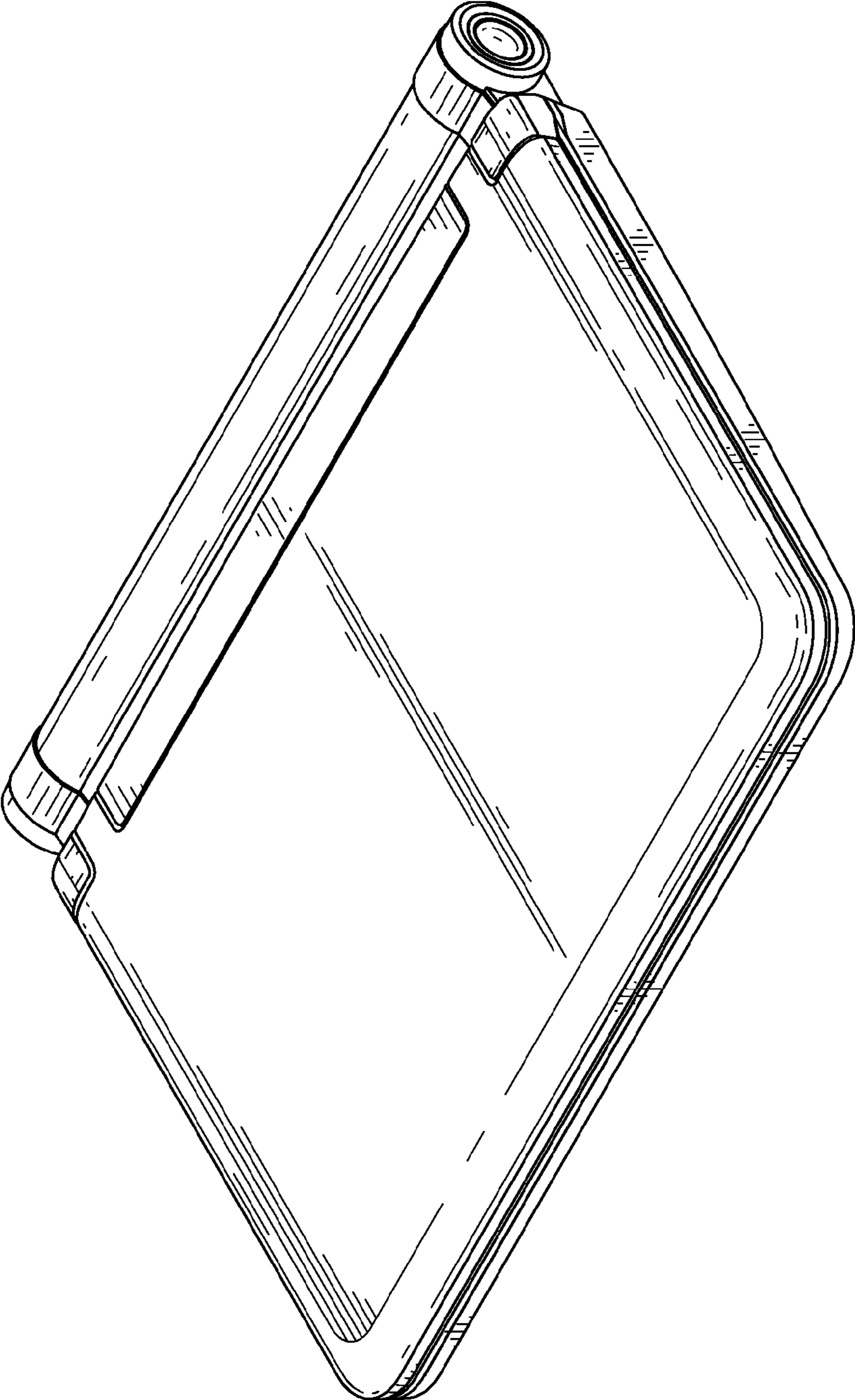


FIG. 1

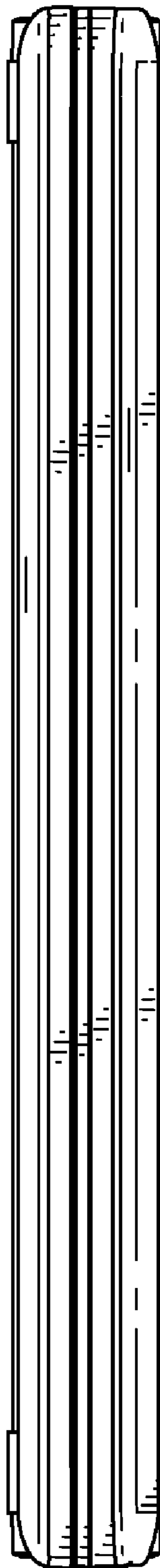


FIG. 2

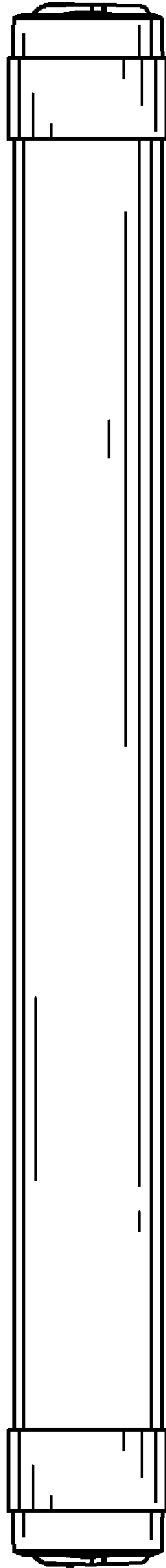


FIG. 3

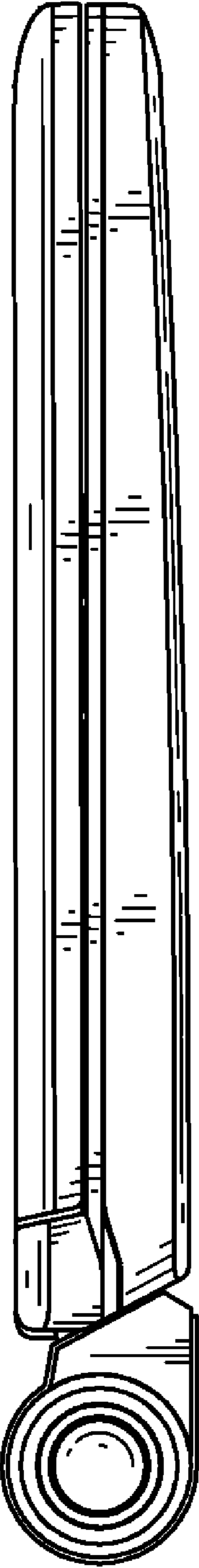


FIG. 4

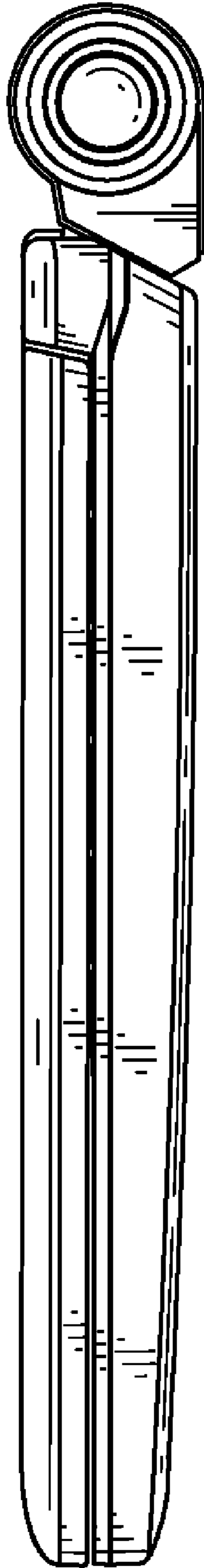


FIG. 5

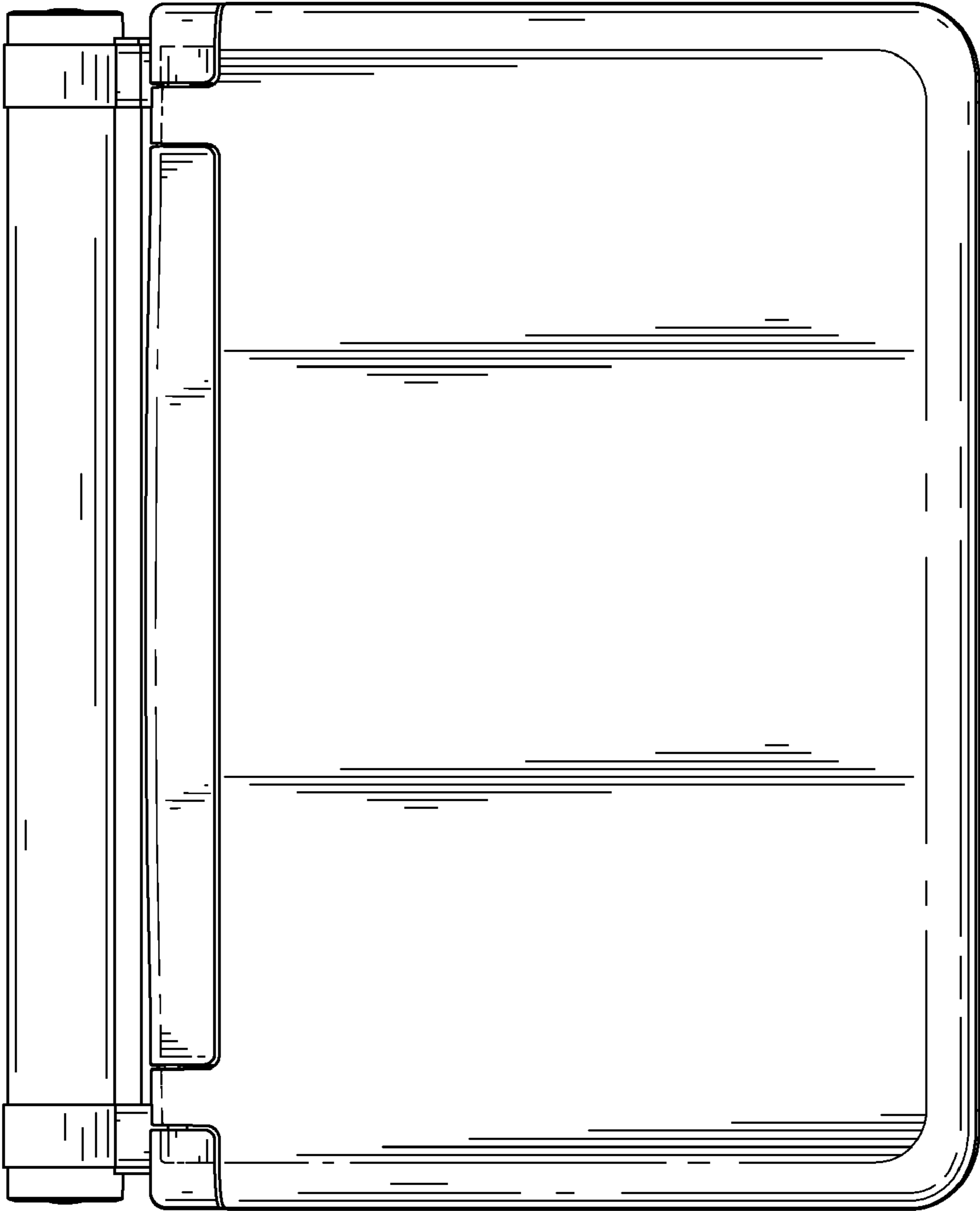


FIG. 6

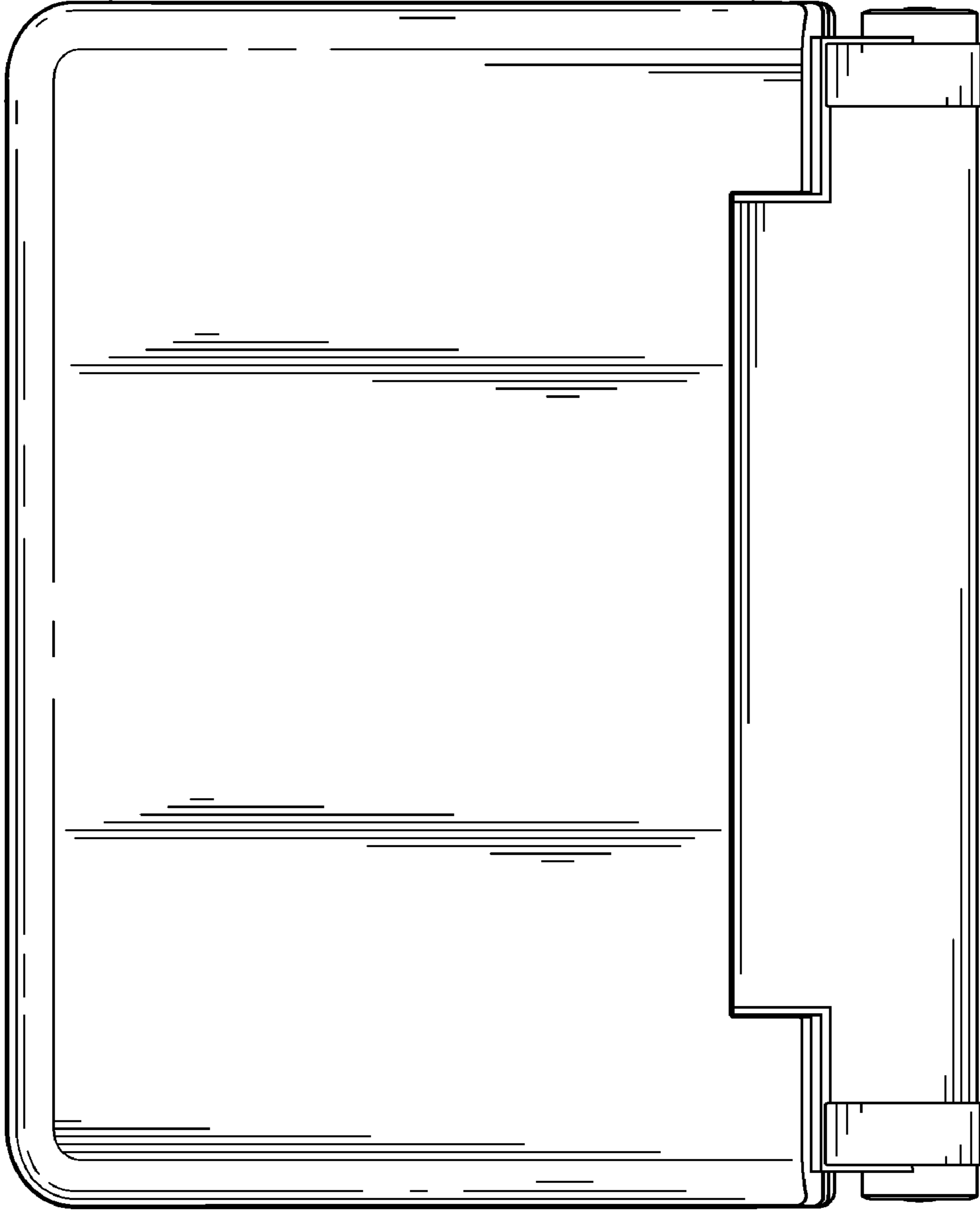


FIG. 7

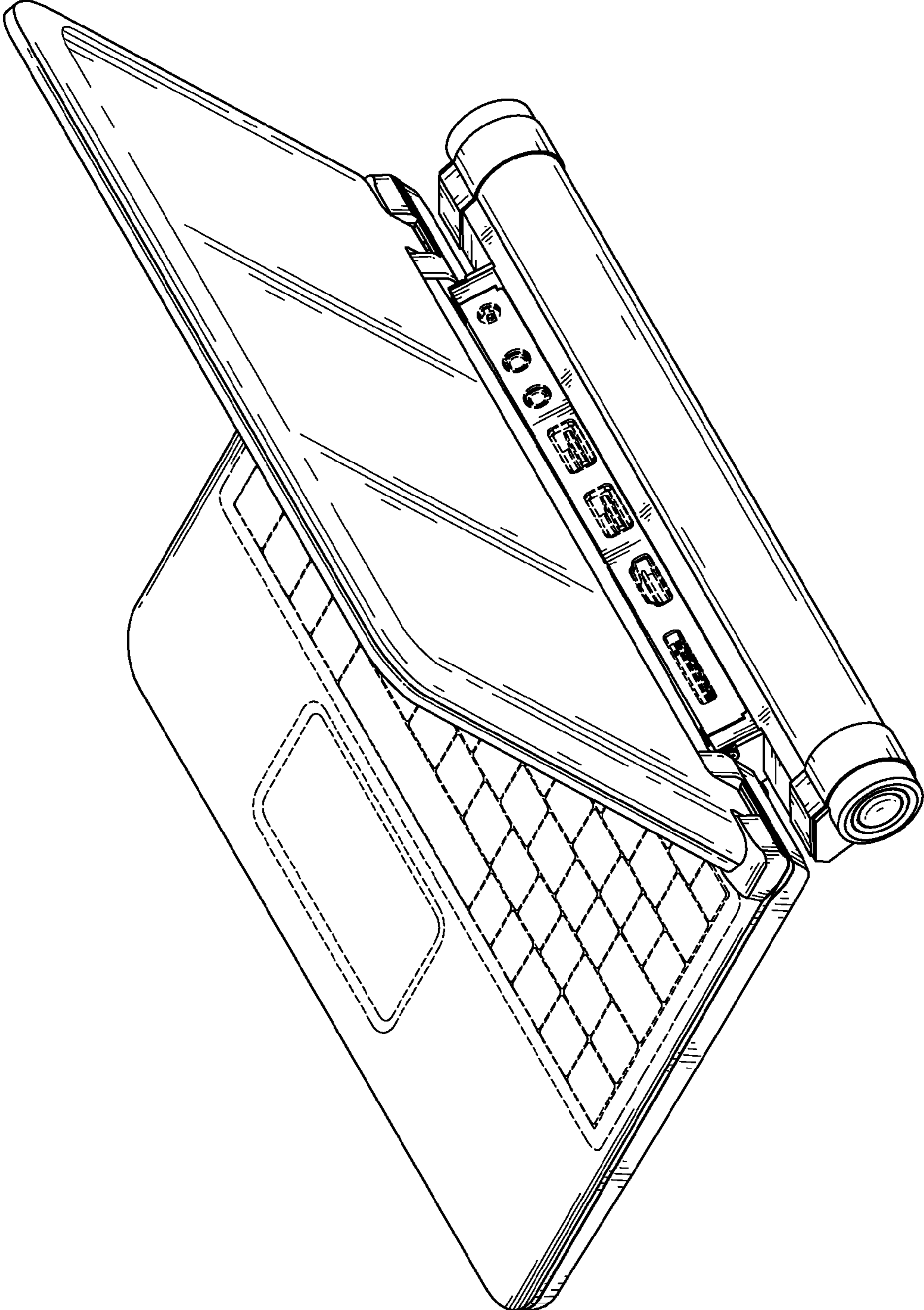


FIG. 8