

US00D621828S

(12) **United States Design Patent**
Cheng et al.

(10) **Patent No.:** **US D621,828 S**
(45) **Date of Patent:** **** Aug. 17, 2010**

(54) **PORTABLE ELECTRONIC DEVICE**

(75) Inventors: **Yung-Fa Cheng**, Taipei Hsien (TW);
Hsiang-Lung Kao, Taipei Hsien (TW)

(73) Assignee: **Hon Hai Precision Industry Co., Ltd.**,
Tu-Cheng, Taipei Hsien (TW)

(**) Term: **14 Years**

(21) Appl. No.: **29/352,784**

(22) Filed: **Dec. 28, 2009**

(30) **Foreign Application Priority Data**

Nov. 27, 2009 (CN) 2009 3 0327258

(51) **LOC (9) Cl.** **14-02**

(52) **U.S. Cl.** **D14/327**

(58) **Field of Classification Search** D14/315-327,
D14/331, 341, 345; D18/1, 2, 7; 345/1.1,
345/156, 168, 173; 361/679.01, 679.06,
361/679.08, 679.09, 679.15, 679.55

See application file for complete search history.

(56) **References Cited**

U.S. PATENT DOCUMENTS

- 5,255,214 A * 10/1993 Ma 361/679.06
- 5,267,123 A * 11/1993 Boothroyd et al. 361/679.09
- 5,808,862 A * 9/1998 Robbins 361/679.09
- 5,900,848 A * 5/1999 Haneda et al. 345/1.1
- 6,351,372 B1 * 2/2002 Kim 361/679.15
- 6,384,811 B1 * 5/2002 Kung et al. 345/168
- 6,492,974 B1 * 12/2002 Nobuchi et al. 345/156
- D482,687 S * 11/2003 Chu D14/316
- 6,665,175 B1 * 12/2003 deBoer et al. 361/679.06
- D491,934 S * 6/2004 Shimano et al. D14/318
- 6,842,338 B2 * 1/2005 Iredale 361/679.06
- D514,098 S * 1/2006 Huang et al. D14/315
- D519,500 S * 4/2006 Maskatia et al. D14/318

- D528,541 S * 9/2006 Maskatia D14/315
- D535,292 S * 1/2007 Shi et al. D14/315
- 7,164,578 B2 * 1/2007 Wang et al. 361/679.08
- 7,203,058 B2 * 4/2007 Hong 361/679.06
- 7,283,355 B2 * 10/2007 Han 361/679.55
- D599,792 S * 9/2009 Lin D14/331
- 2003/0103324 A1 * 6/2003 Gallivan 361/681
- 2004/0228076 A1 * 11/2004 Clapper 361/681
- 2005/0083644 A1 * 4/2005 Song 361/683
- 2006/0038795 A1 * 2/2006 Lee 345/173

* cited by examiner

Primary Examiner—Freda S Nunn

(74) *Attorney, Agent, or Firm*—Frank R. Niranjana

(57) **CLAIM**

The ornamental design for portable electronic device, as shown and described.

DESCRIPTION

FIG. 1 is a perspective view of a portable electronic device showing our design;

FIG. 2 is a front elevational view thereof;

FIG. 3 is a rear elevational view thereof;

FIG. 4 is a left side, elevational view thereof;

FIG. 5 is a right side, elevational view thereof;

FIG. 6 is a top plan view thereof;

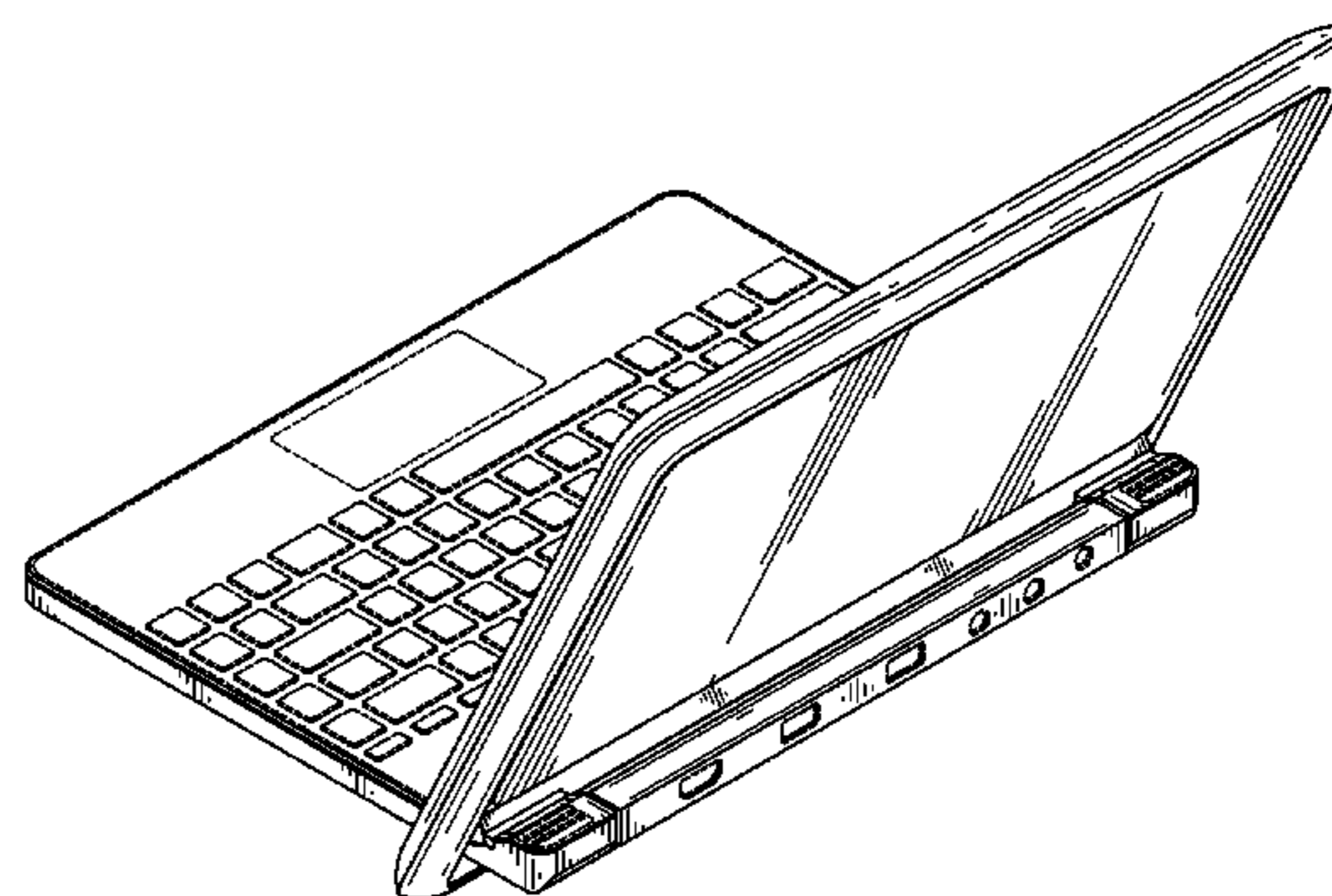
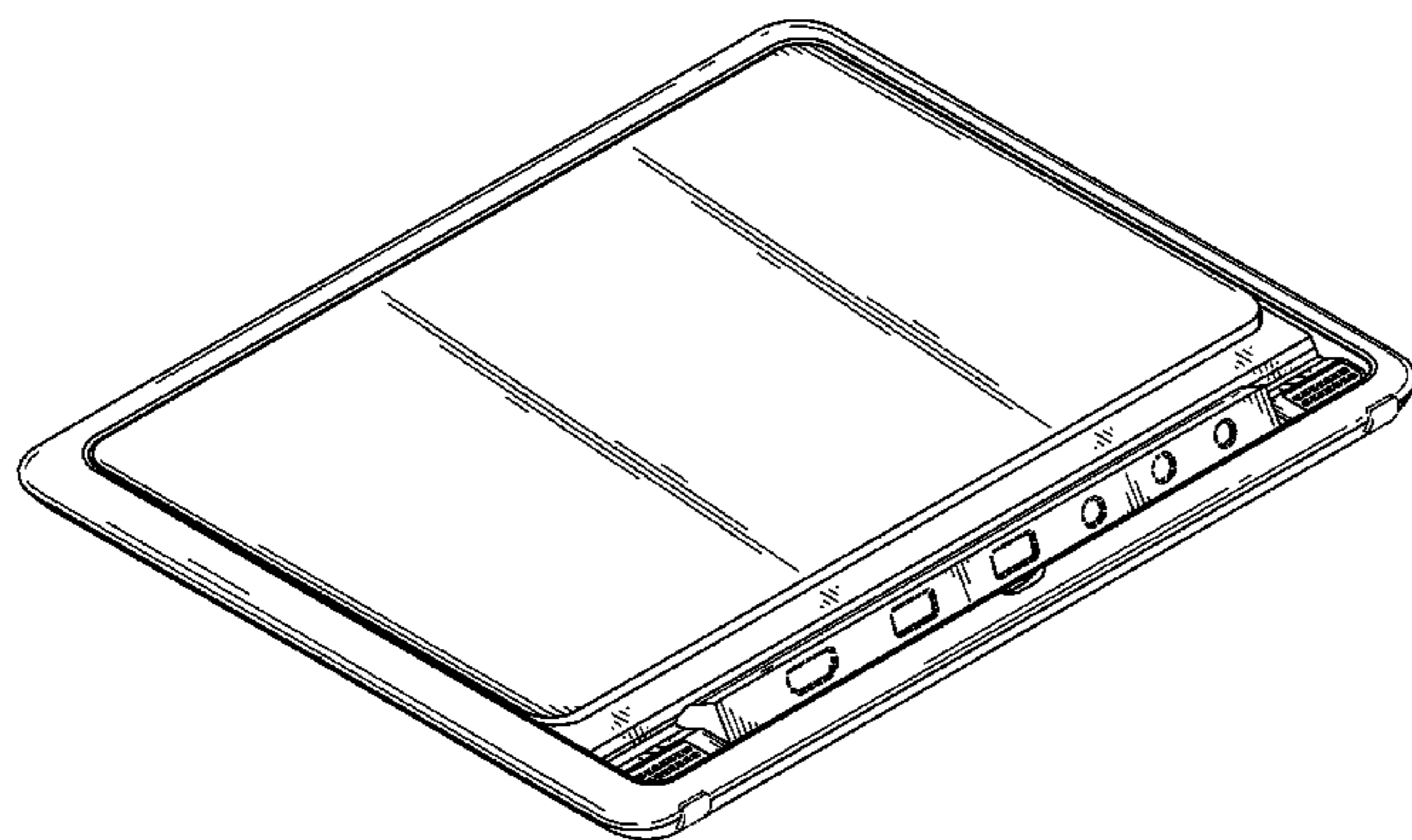
FIG. 7 is a bottom plan view thereof;

FIG. 8 is another perspective view of FIG. 1, with a connecting bar rotated; and,

FIG. 9 is another perspective view of FIG. 1, with a cover rotated.

Broken lines shown in the drawings illustrate portions of the portable electronic device, and form no part of the claimed design.

1 Claim, 9 Drawing Sheets



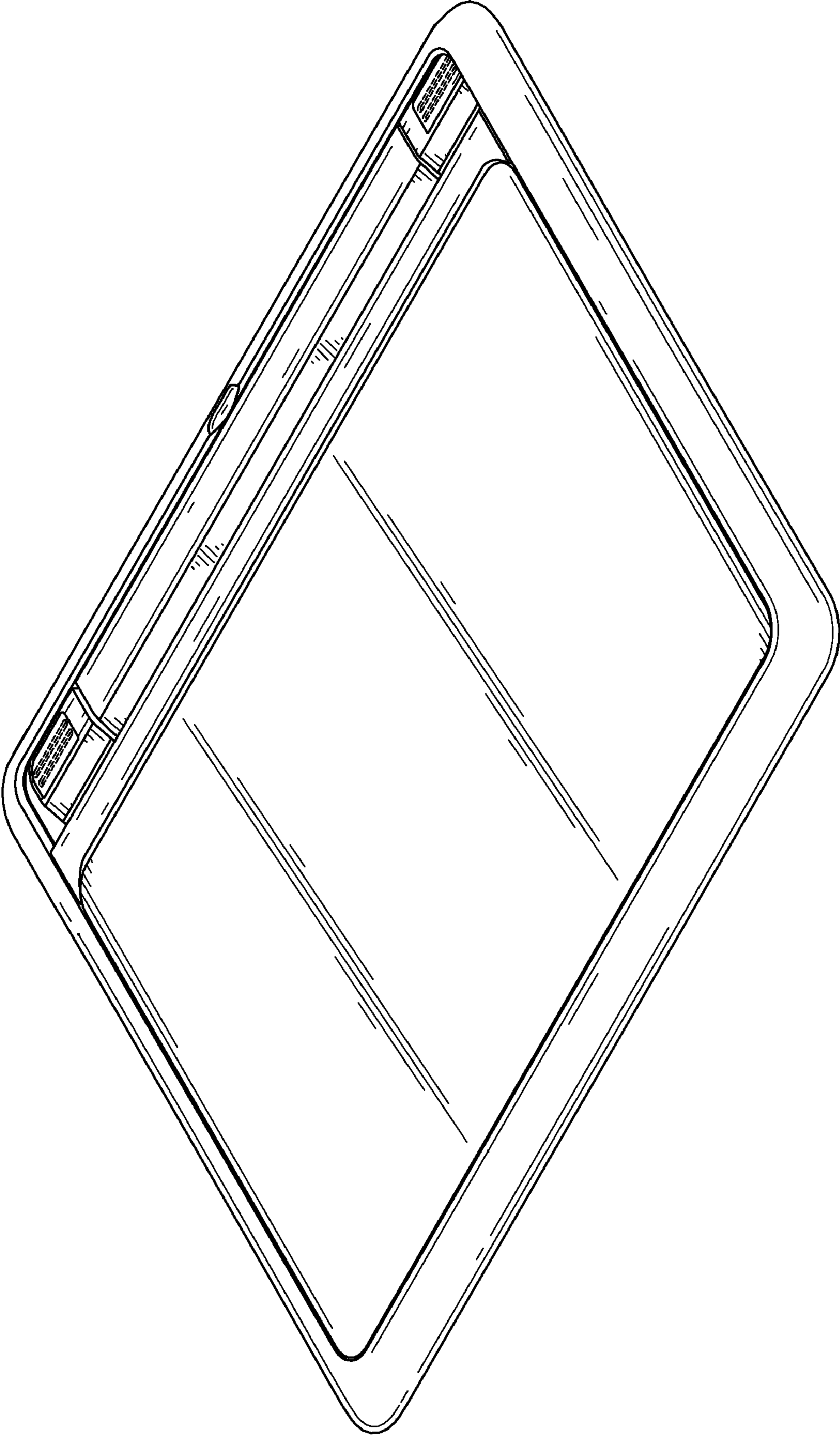


FIG. 1

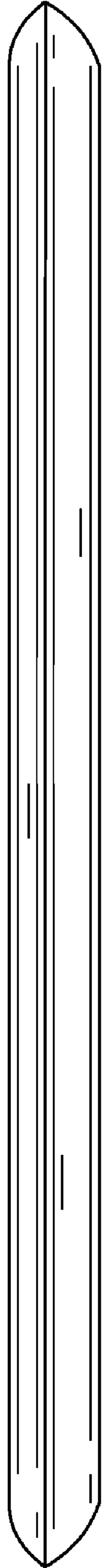


FIG. 2

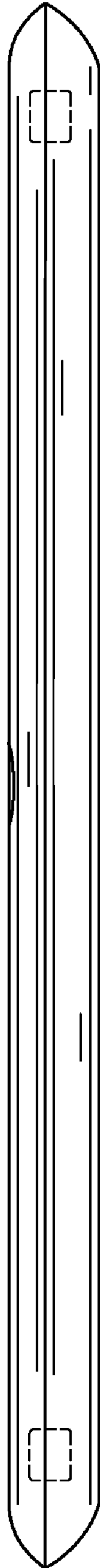


FIG. 3

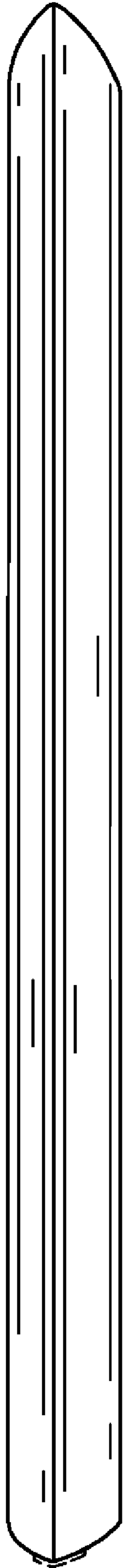


FIG. 4

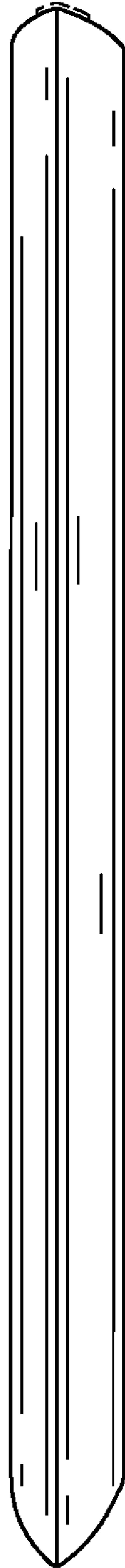


FIG. 5

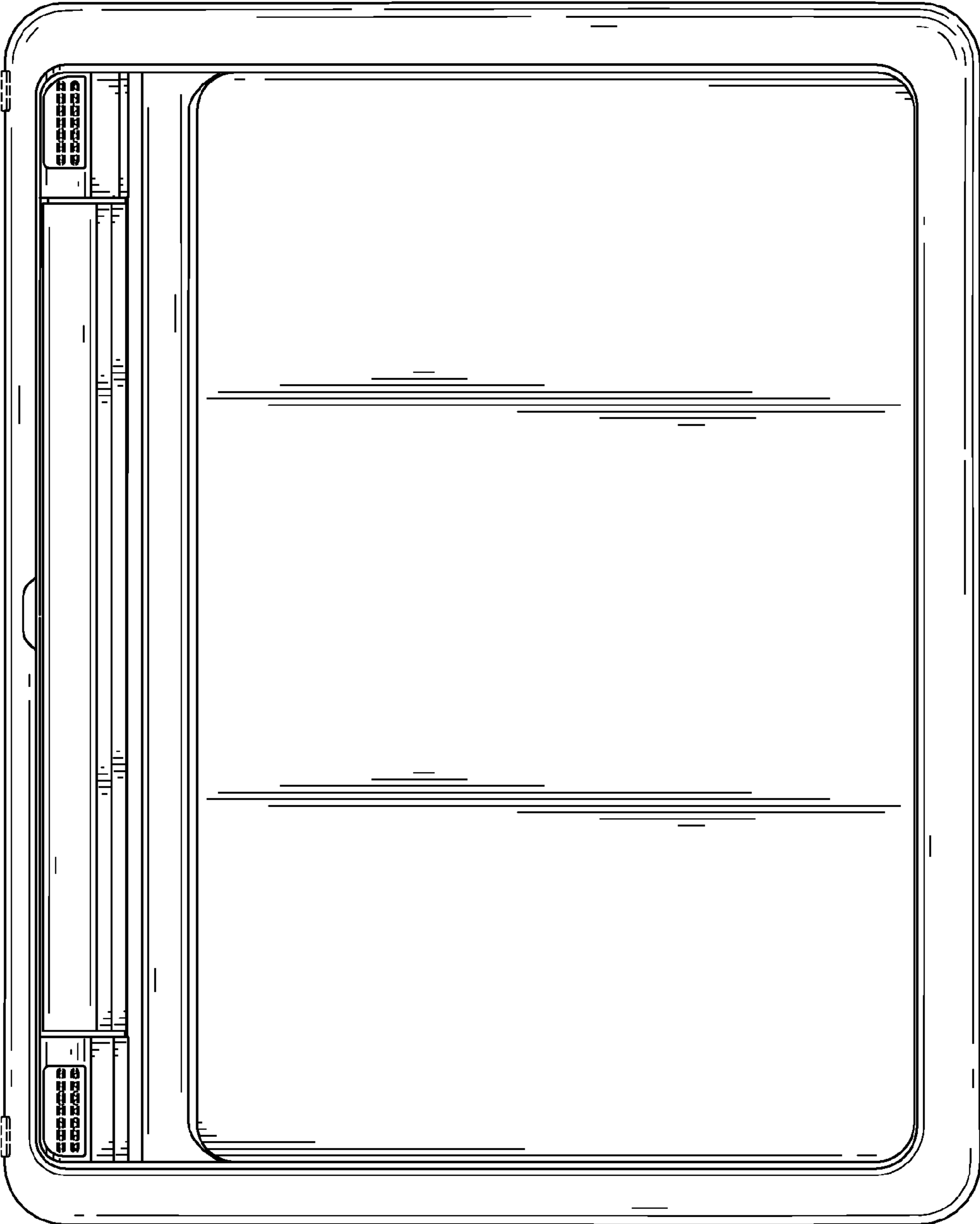


FIG. 6

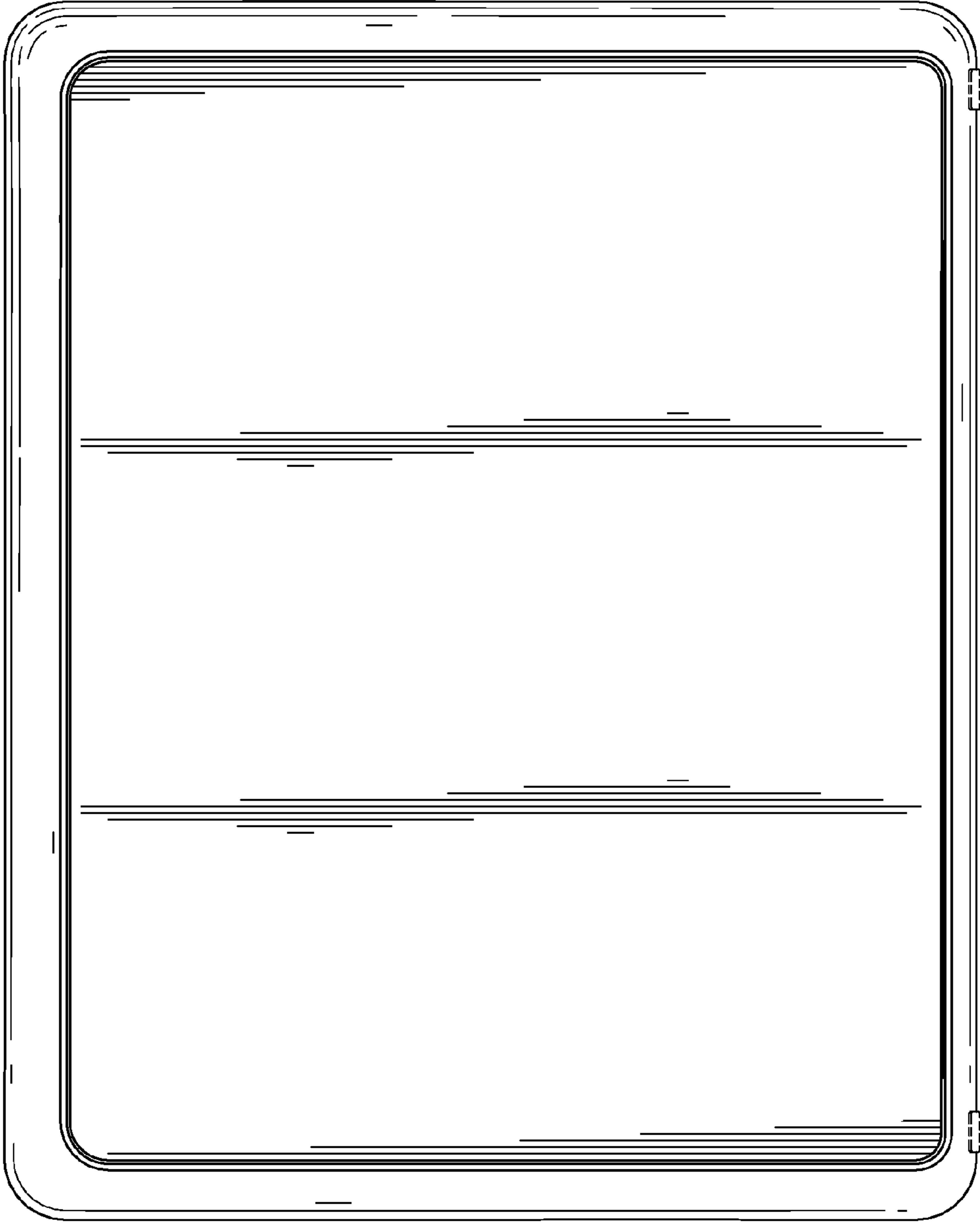


FIG. 7

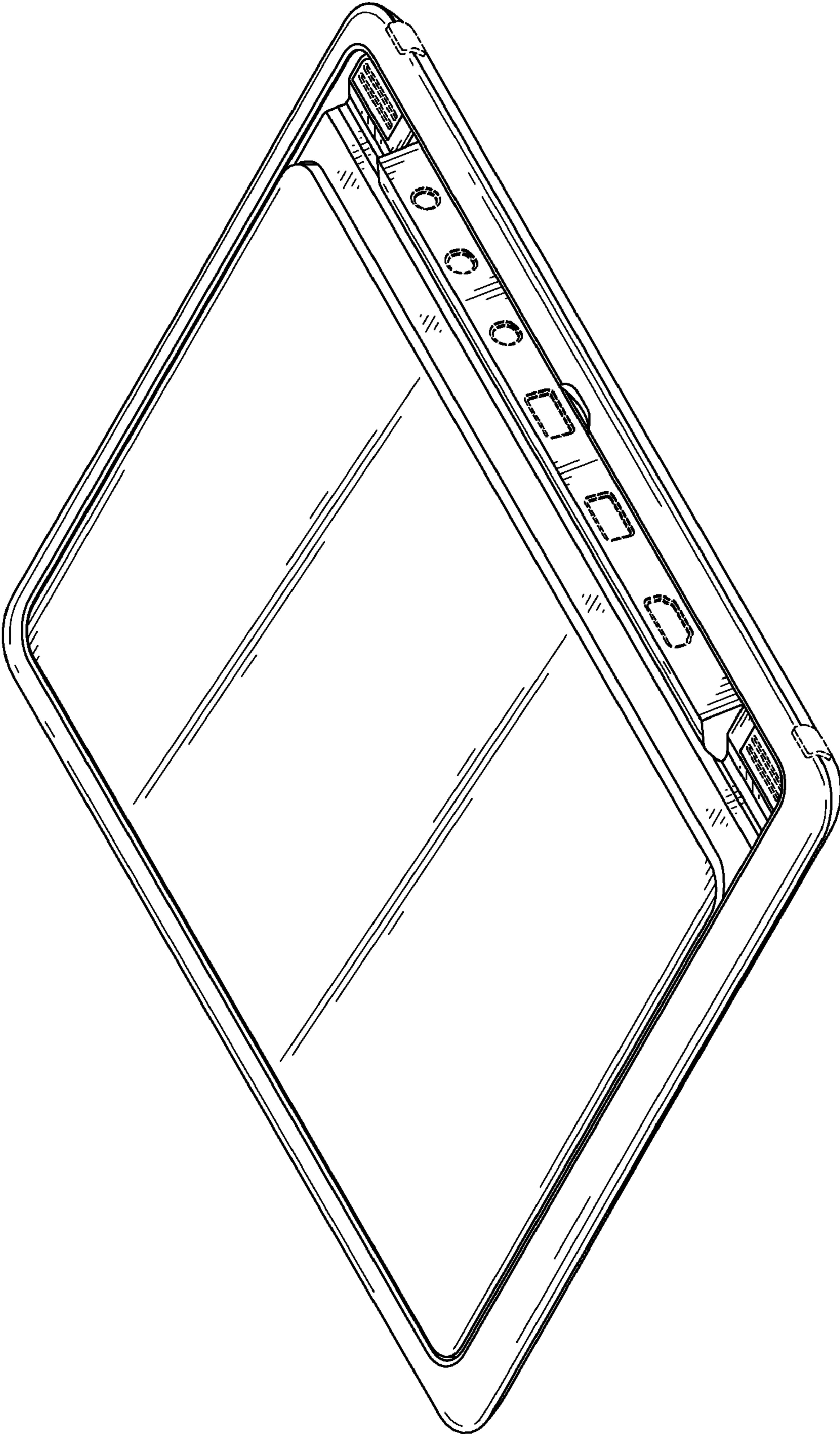


FIG. 8

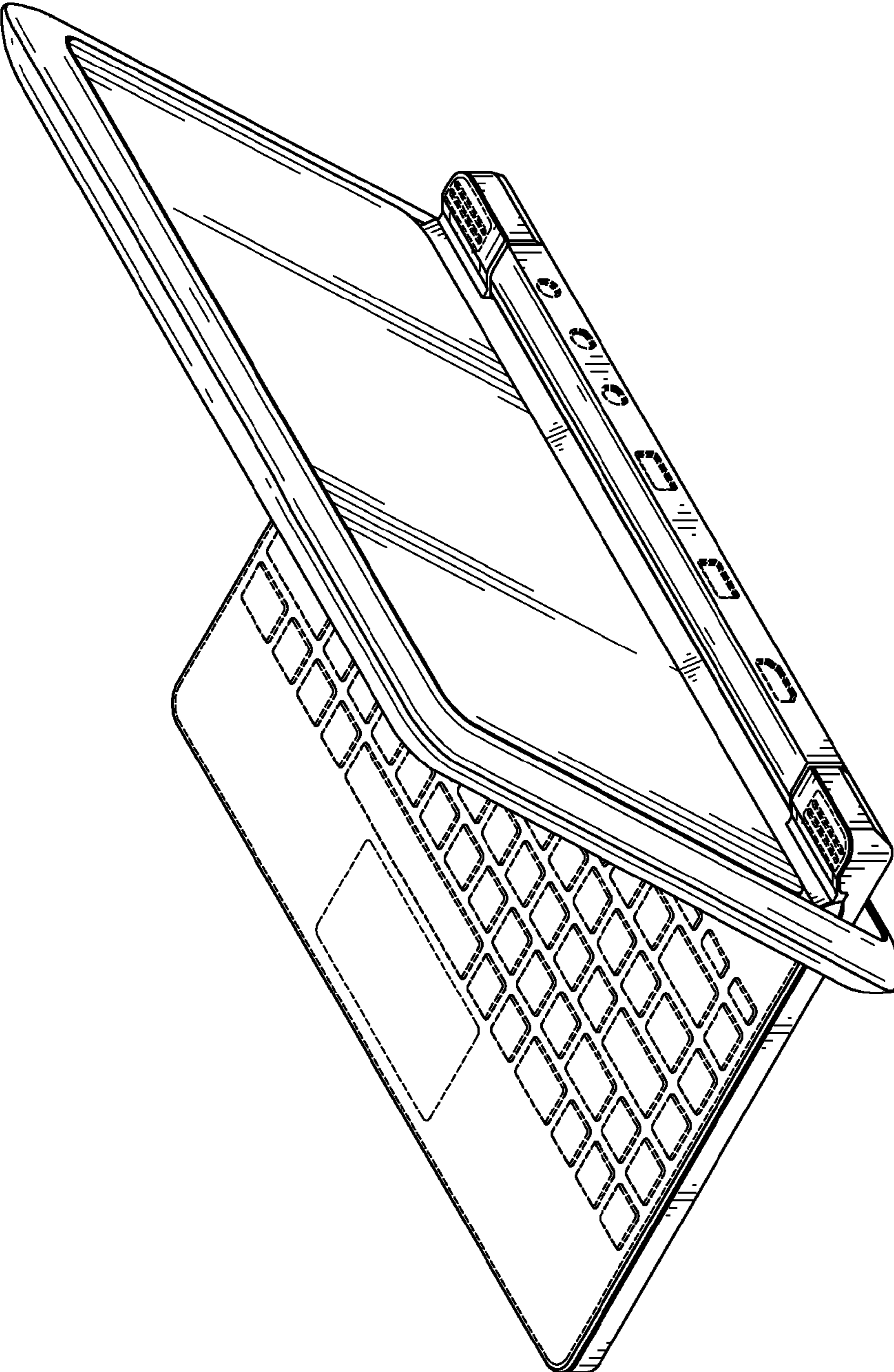


FIG. 9