



US00D621826S

(12) **United States Design Patent**  
**Cheng et al.**

(10) **Patent No.:** **US D621,826 S**  
(45) **Date of Patent:** **\*\* Aug. 17, 2010**

(54) **PORTABLE ELECTRONIC DEVICE**

(75) Inventors: **Yung-Fa Cheng**, Taipei Hsien (TW);  
**Hsiang-Lung Kao**, Taipei Hsien (TW)

(73) Assignee: **Hon Hai Precision Industry Co., Ltd.**,  
Tu-Cheng, Taipei Hsien (TW)

(\*\*) Term: **14 Years**

(21) Appl. No.: **29/351,268**

(22) Filed: **Dec. 2, 2009**

(30) **Foreign Application Priority Data**

Sep. 14, 2009 (CN) ..... 2009 3 0315932

(51) **LOC (9) Cl.** ..... **14-02**

(52) **U.S. Cl.** ..... **D14/327**

(58) **Field of Classification Search** ..... D14/315-327,  
D14/331, 341, 345; D18/1, 2, 7; 345/1.1,  
345/156, 168, 173; 361/679.01, 679.06,  
361/679.08, 679.09, 679.15, 679.55

See application file for complete search history.

(56) **References Cited**

**U.S. PATENT DOCUMENTS**

5,255,214	A *	10/1993	Ma	.....	361/679.06
5,267,123	A *	11/1993	Boothroyd et al.	.....	361/679.09
5,808,862	A *	9/1998	Robbins	.....	361/679.09
5,900,848	A *	5/1999	Haneda et al.	.....	345/1.1
6,351,372	B1 *	2/2002	Kim	.....	361/679.15
6,384,811	B1 *	5/2002	Kung et al.	.....	345/168
6,492,974	B1 *	12/2002	Nobuchi et al.	.....	345/156
D482,687	S *	11/2003	Chu	.....	D14/316
6,665,175	B1 *	12/2003	deBoer et al.	.....	361/679.06
D491,934	S *	6/2004	Shimano et al.	.....	D14/318
6,842,338	B2 *	1/2005	Iredale	.....	361/679.06
D514,098	S *	1/2006	Huang et al.	.....	D14/315
D519,500	S *	4/2006	Maskatia et al.	.....	D14/318

D528,541	S *	9/2006	Maskatia	.....	D14/315
D535,292	S *	1/2007	Shi et al.	.....	D14/315
7,164,578	B2 *	1/2007	Wang et al.	.....	361/679.08
7,203,058	B2 *	4/2007	Hong	.....	361/679.06
7,283,355	B2 *	10/2007	Han	.....	361/679.55
D599,792	S *	9/2009	Lin	.....	D14/331
2003/0103324	A1 *	6/2003	Gallivan	.....	361/681
2004/0228076	A1 *	11/2004	Clapper	.....	361/681
2005/0083644	A1 *	4/2005	Song	.....	361/683
2006/0038795	A1 *	2/2006	Lee	.....	345/173

\* cited by examiner

*Primary Examiner*—Freda S Nunn

(74) *Attorney, Agent, or Firm*—Frank R. Niranjana

(57) **CLAIM**

The ornamental design for a portable electronic device, as shown and described.

**DESCRIPTION**

FIG. 1 is a perspective view of a portable electronic device showing our design;

FIG. 2 is a front elevational view thereof;

FIG. 3 is a rear elevational view thereof;

FIG. 4 is a left side, elevational view thereof;

FIG. 5 is a right side, elevational view thereof;

FIG. 6 is a top plan view thereof;

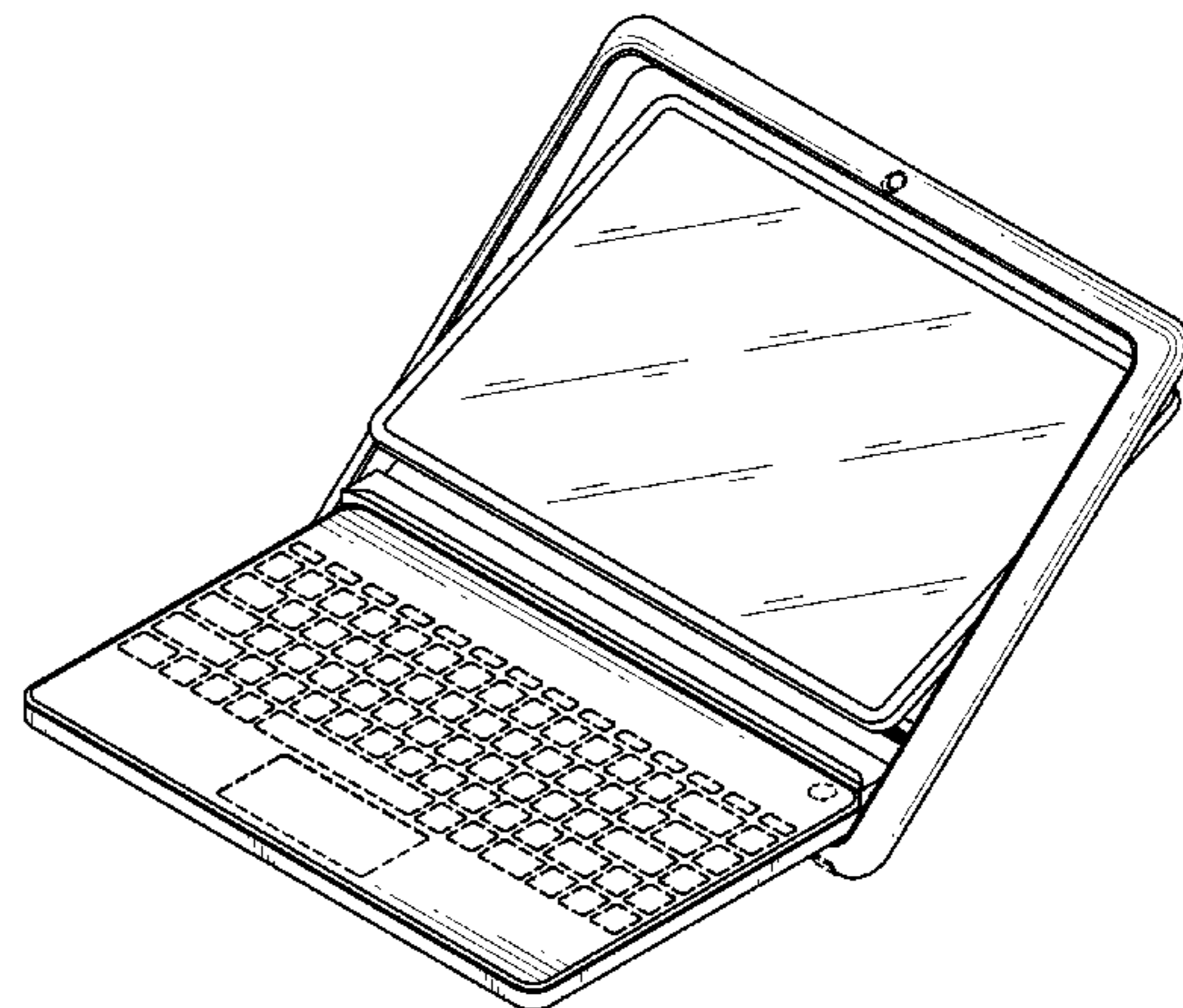
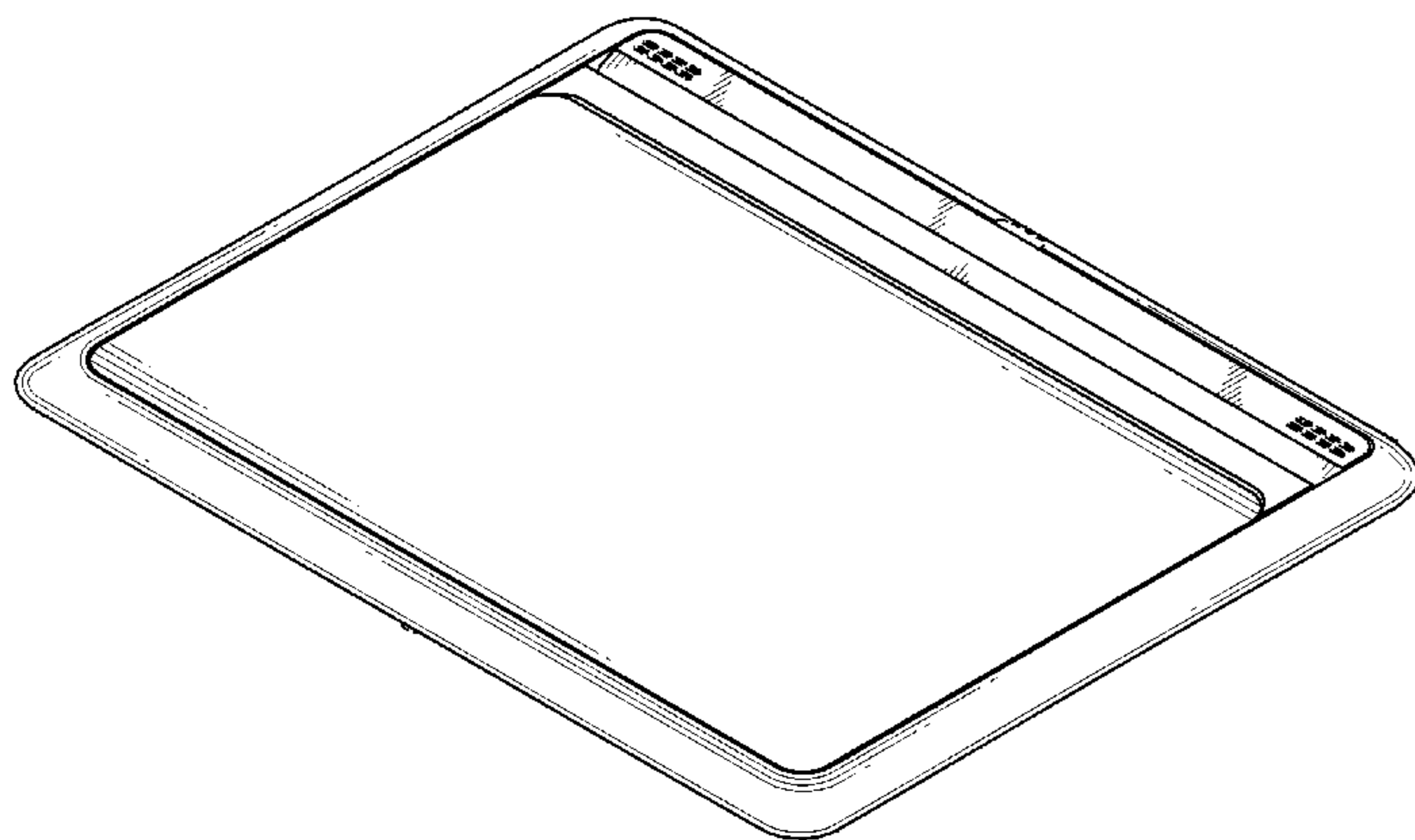
FIG. 7 is a bottom plan view thereof;

FIG. 8 is a perspective view thereof, with a cover rotated; and,

FIG. 9 is another perspective view of FIG. 8, with a display of the cover rotated.

Broken lines shown in the drawings illustrate portions of the portable electronic device, and form no part of the claimed design.

**1 Claim, 9 Drawing Sheets**



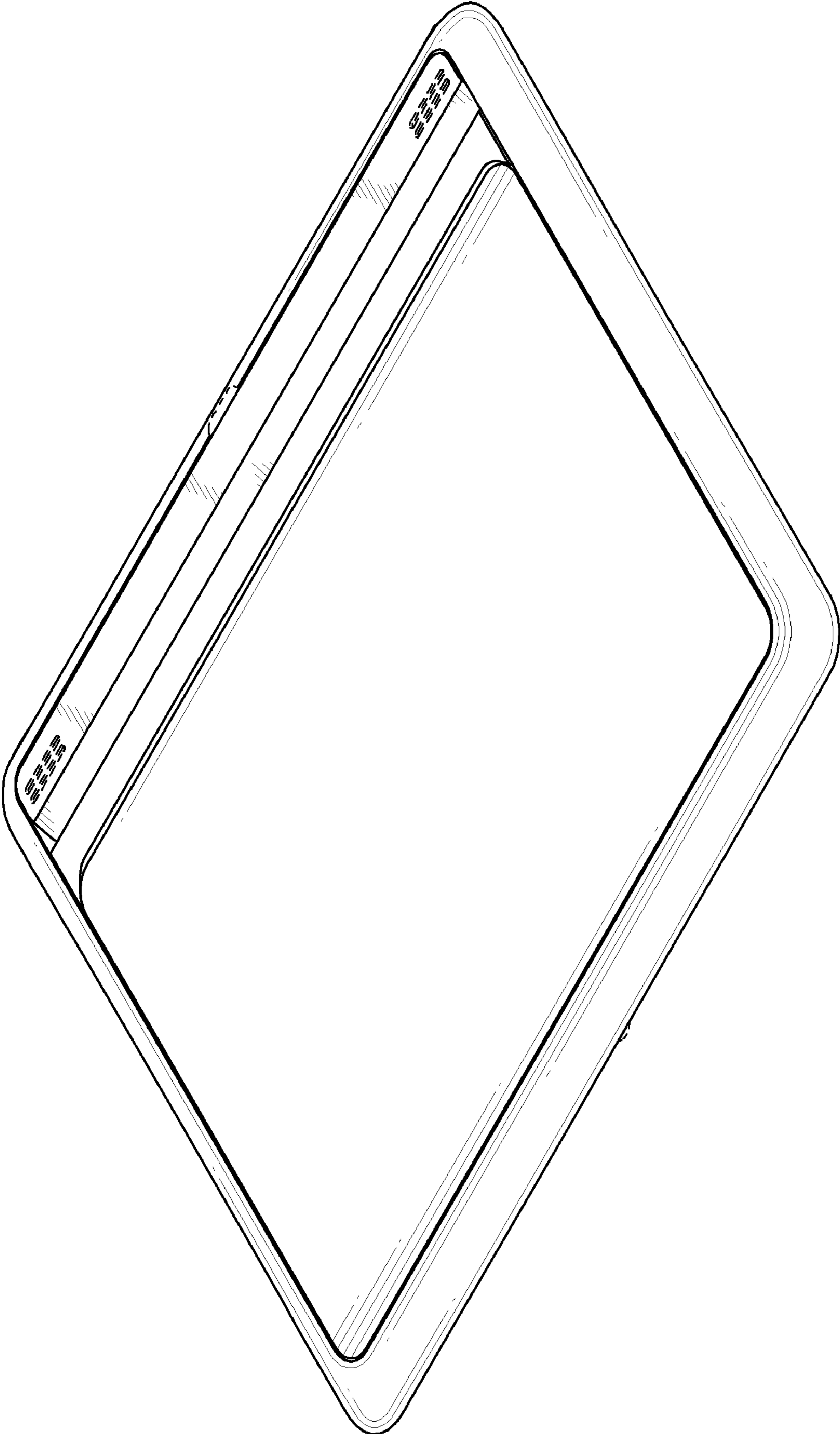


FIG. 1

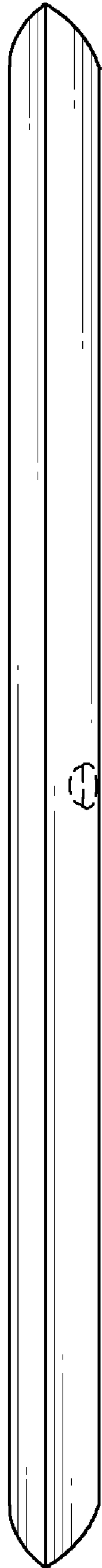


FIG. 2

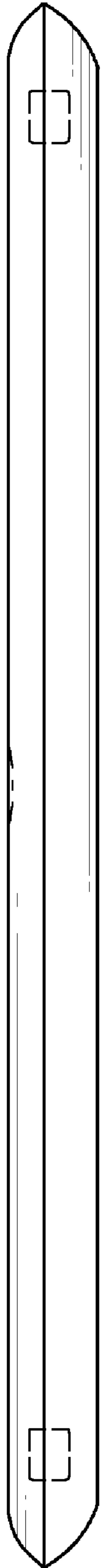


FIG. 3

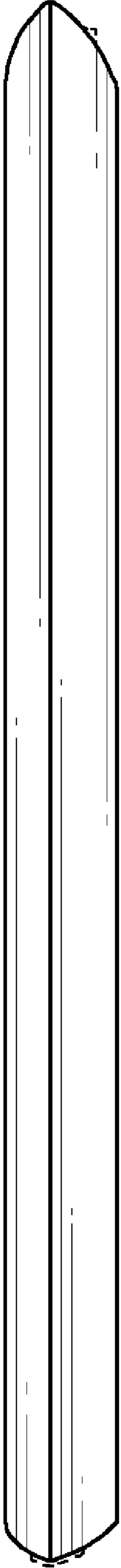


FIG. 4

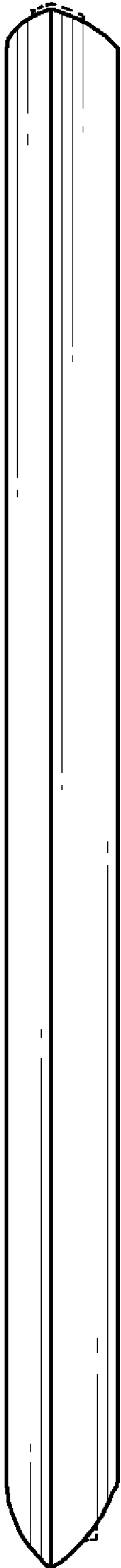


FIG. 5

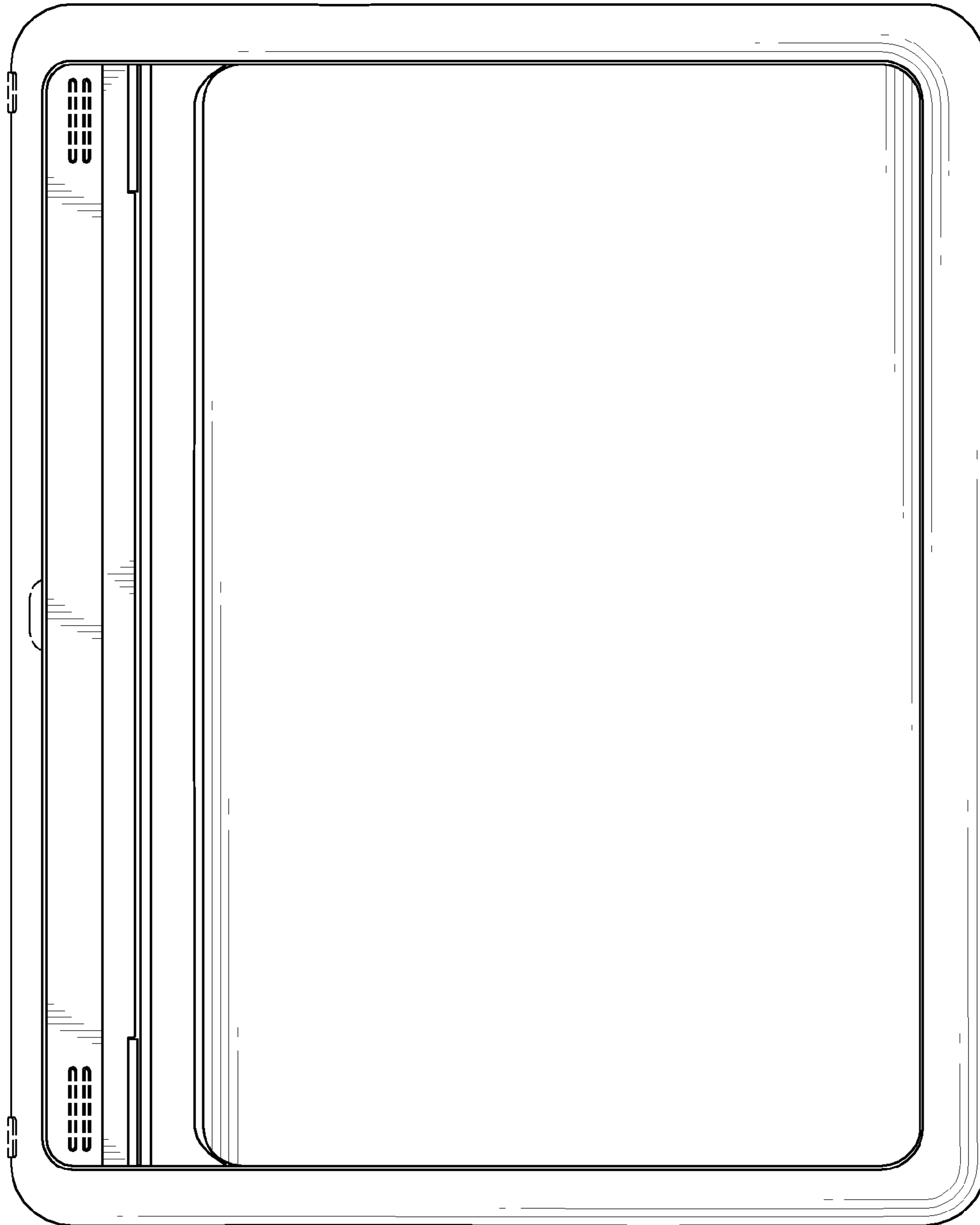


FIG. 6

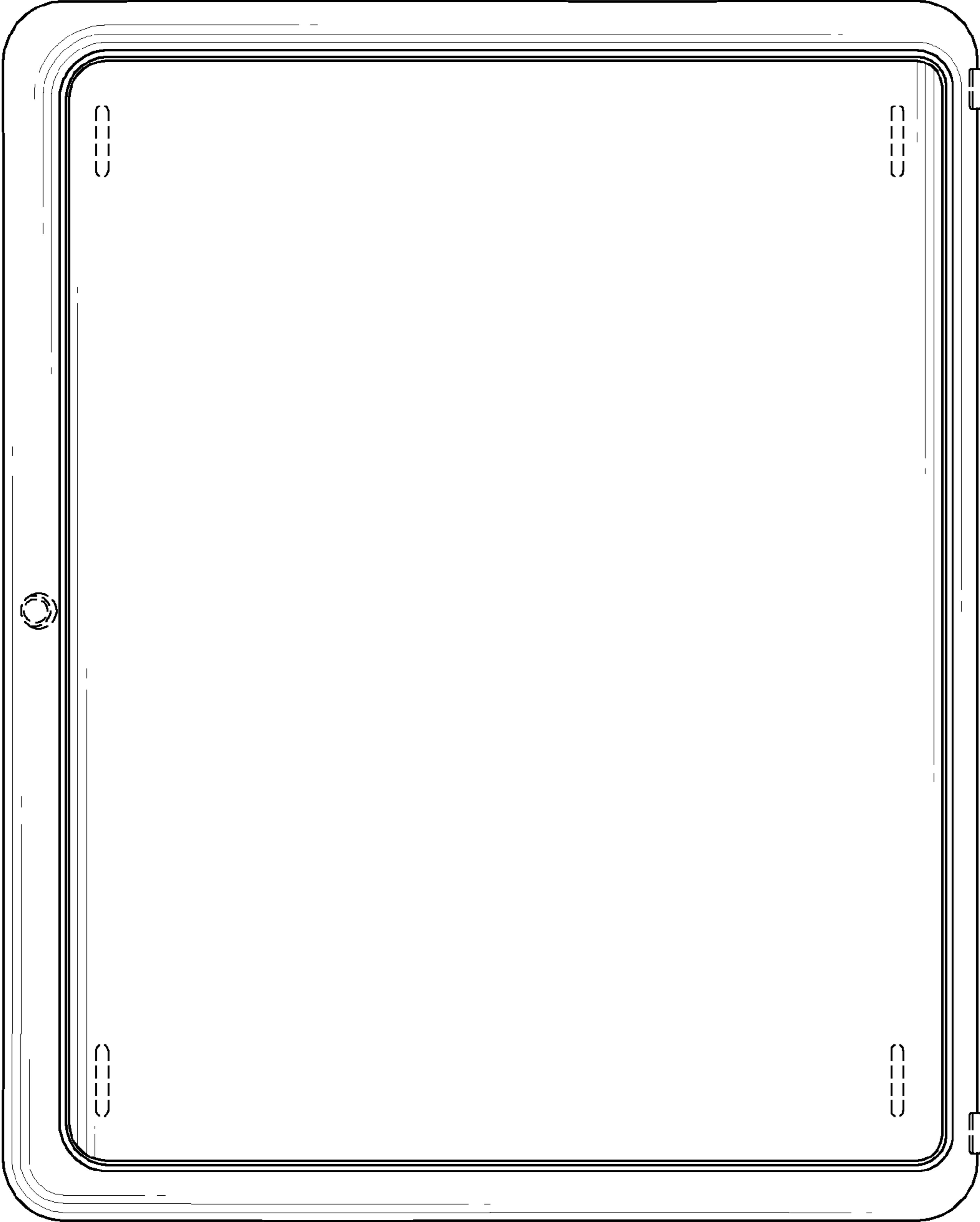


FIG. 7



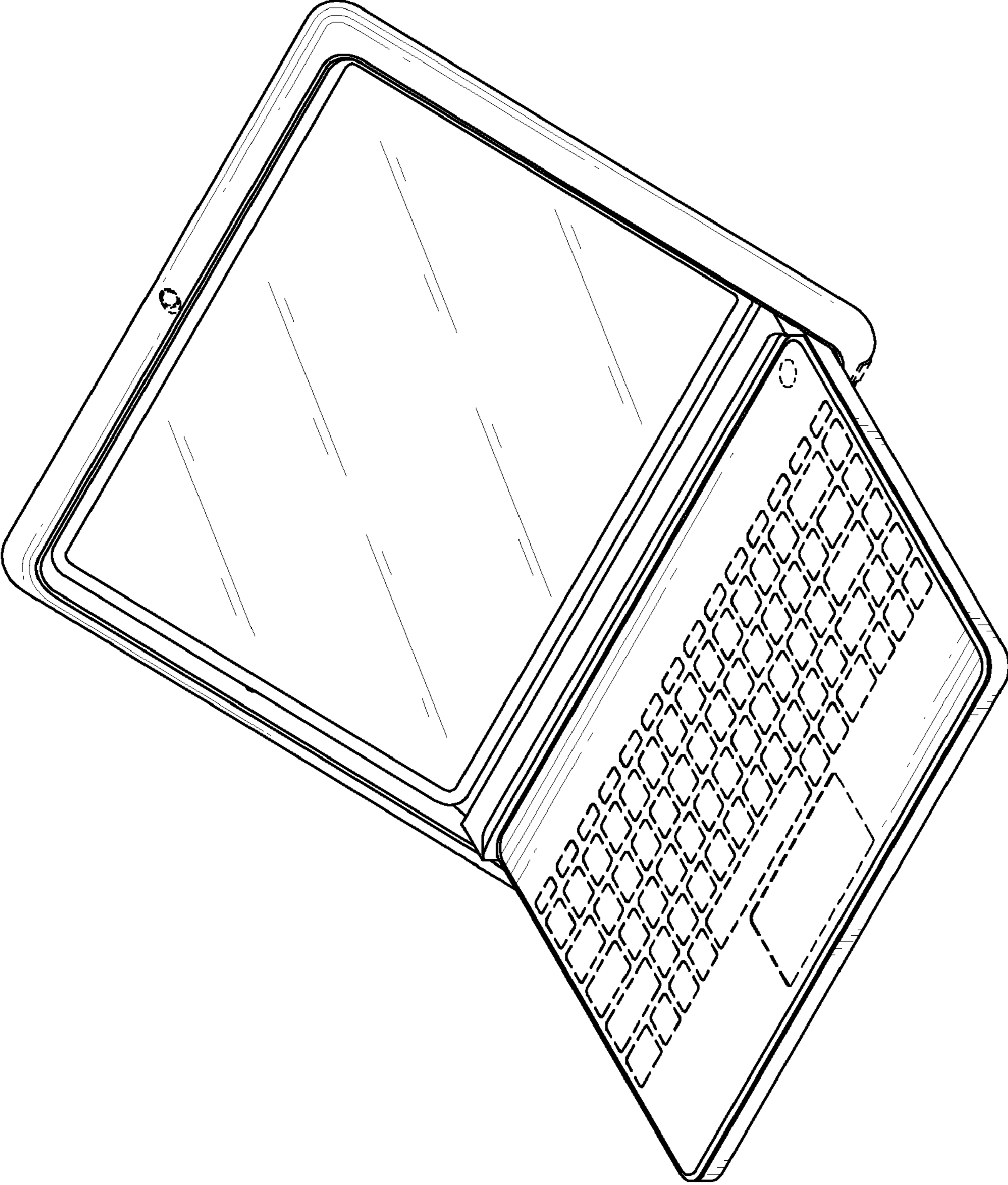


FIG. 8

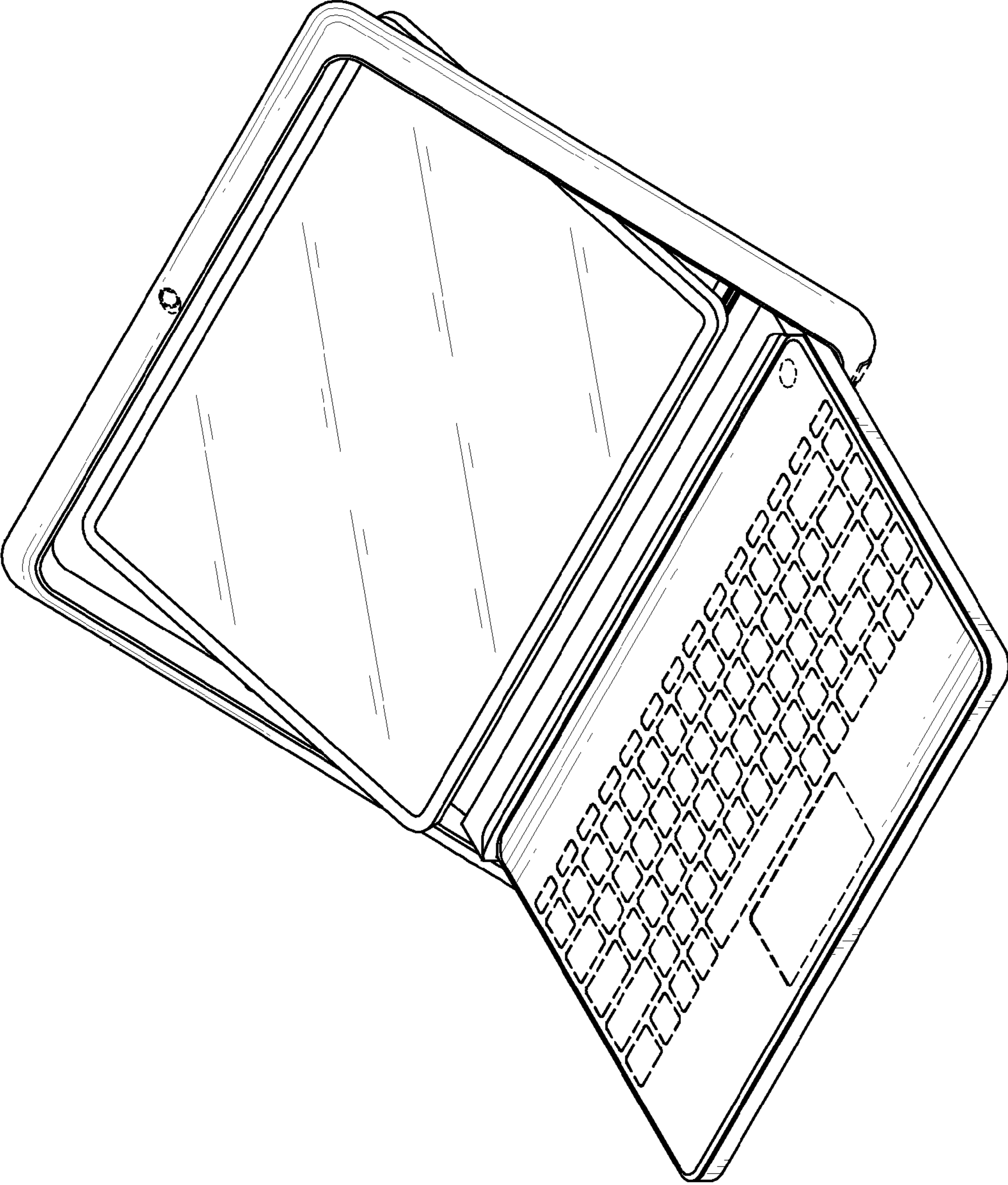


FIG. 9