



US00D621823S

(12) **United States Design Patent**
Dai et al.

(10) **Patent No.:** **US D621,823 S**
(45) **Date of Patent:** **** Aug. 17, 2010**

(54) **HOLDER FOR A HANDHELD DEVICE**

(75) Inventors: **Zhi-Hong Dai**, Shanghai (CN);
De-Zheng Lan, Shanghai (CN);
Shih-Chin Tseng, Taipei (TW)

(73) Assignee: **Inventec Appliances Corp.**, Taipei (TW)

(**) Term: **14 Years**

(21) Appl. No.: **29/330,203**

(22) Filed: **Dec. 31, 2008**

(30) **Foreign Application Priority Data**

Dec. 1, 2008 (TW) 97306820

(51) **LOC (9) Cl.** **14-03**

(52) **U.S. Cl.** **D14/253**

(58) **Field of Classification Search** D14/140,
D14/142, 147-148, 218, 224, 224.1, 229,
D14/240, 250-253, 299, 434, 452, 454, 447,
D14/138 R, 149, 256; D8/355, 363, 373,
D8/380; D12/415, 425; 248/206.2-206.4,
248/220.21, 279.1, 121, 131, 157; 379/426,
379/446, 454, 455, 449; 224/571; D6/466,
D6/467, 567; D13/107-108; 320/113; D3/201,
D3/218

See application file for complete search history.

(56) **References Cited**

U.S. PATENT DOCUMENTS

D320,991 S * 10/1991 Nagai et al. D14/251
D323,504 S * 1/1992 Langton D14/142
D327,070 S * 6/1992 Watanabe D14/251
5,285,938 A * 2/1994 Fauchald 224/482
D346,275 S * 4/1994 Hayasaka et al. D3/218
D351,280 S * 10/1994 Pennington et al. D3/218
D356,798 S * 3/1995 Rudkiewicz et al. D14/253
D361,335 S * 8/1995 Rudkiewicz et al. D14/253
D361,462 S * 8/1995 Newham D6/567
D364,524 S * 11/1995 Bassler et al. D6/567
D365,567 S * 12/1995 Cantrell D14/253
D366,237 S * 1/1996 Yang D13/108

D367,065 S * 2/1996 Wu D14/253
D392,646 S * 3/1998 Takayasu et al. D14/253
D396,160 S * 7/1998 Huang D6/567
D422,828 S * 4/2000 Kanfer et al. D6/567
D438,536 S * 3/2001 Willison et al. D14/253
6,534,953 B2 * 3/2003 Shirakawa 320/114
D515,062 S * 2/2006 Winebrenner et al. D14/149
D529,489 S * 10/2006 Sbordon, Jr. D14/253
D541,741 S * 5/2007 Yosef et al. D13/110

(Continued)

FOREIGN PATENT DOCUMENTS

WO DM/055660 * 2/2001

OTHER PUBLICATIONS

Inventec FW02, <URL:http://www.inventec-inc.com/web2/gsm_jsp?type=9&productID=10027>, retrieved from internet May 19, 2010.*

(Continued)

Primary Examiner—Robert M Spear
Assistant Examiner—Carla Jobe Wright
(74) *Attorney, Agent, or Firm*—Jianq Chyun IP Office

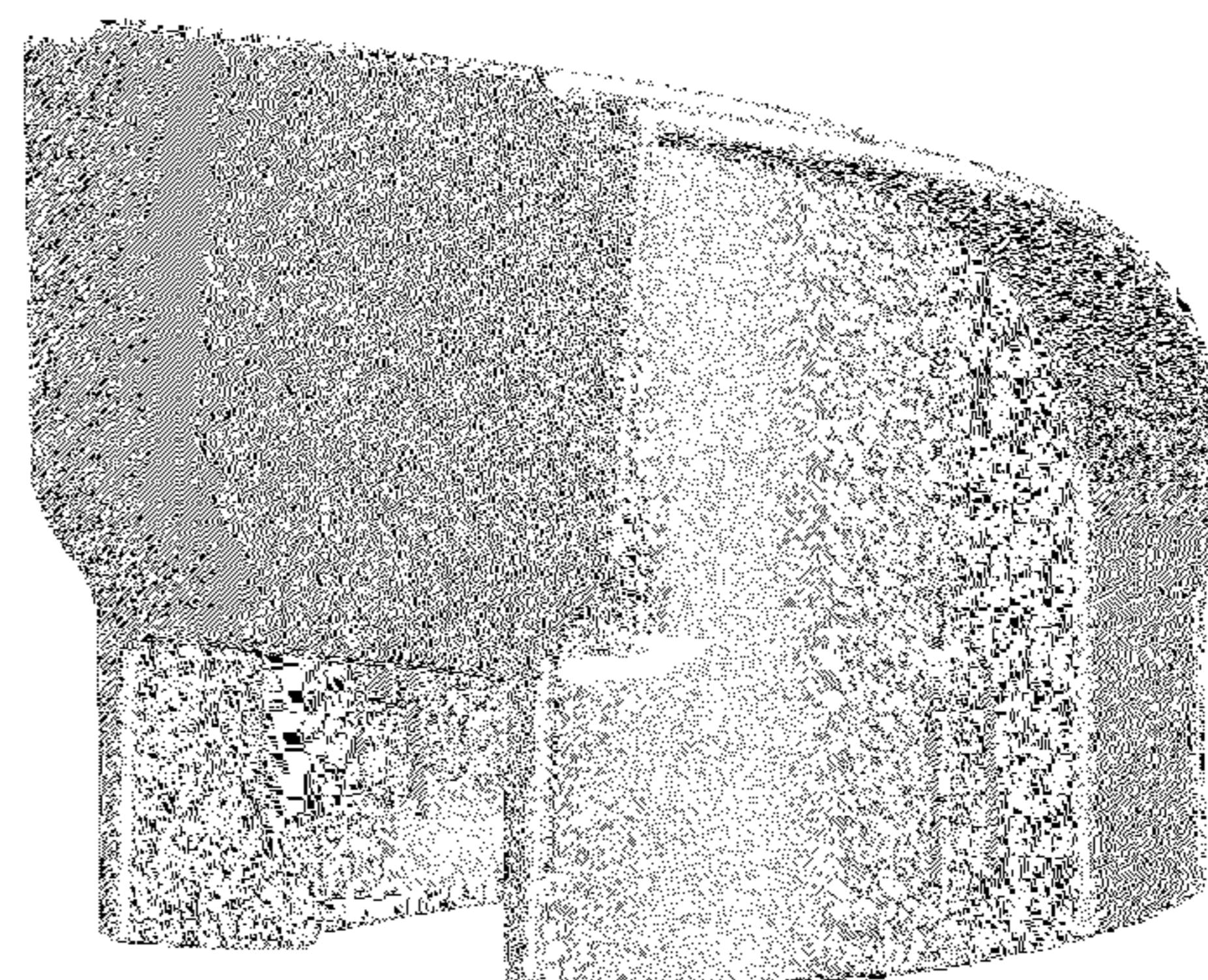
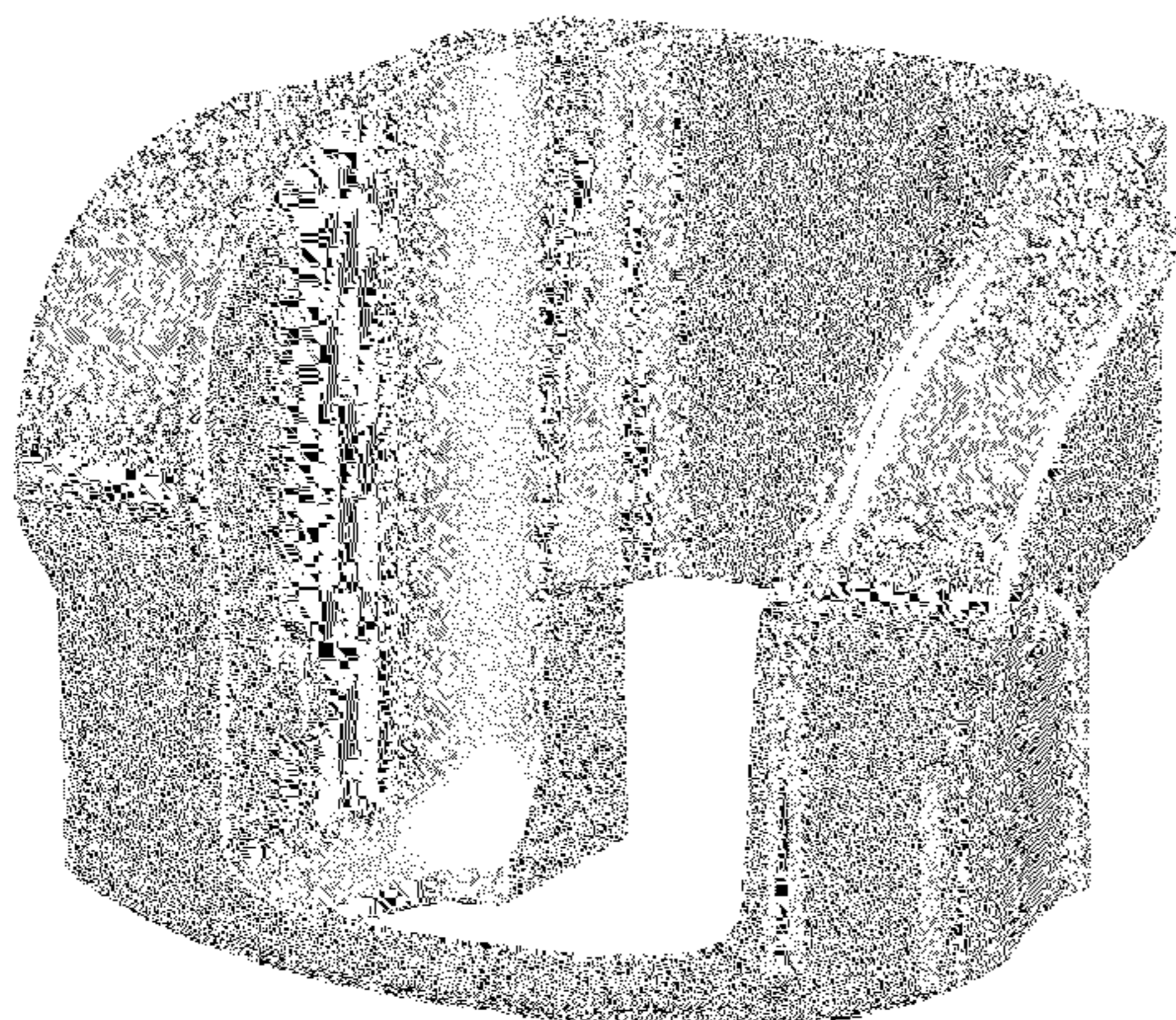
(57) **CLAIM**

The ornamental design for a holder for a handheld device, as shown and described.

DESCRIPTION

FIG. 1 is a front perspective view of a holder for a handheld device showing the new design;
FIG. 2 is a front view thereof;
FIG. 3 is a rear view thereof;
FIG. 4 is a left side view thereof;
FIG. 5 is a right side view thereof;
FIG. 6 is a top view thereof;
FIG. 7 is a bottom view thereof; and,
FIG. 8 is a rear perspective view thereof.

1 Claim, 5 Drawing Sheets



US D621,823 S

Page 2

U.S. PATENT DOCUMENTS

D571,775 S * 6/2008 Waterman et al. D14/148
D588,985 S * 3/2009 O'Hern D13/107
D600,679 S * 9/2009 Upham et al. D14/217
D601,258 S * 9/2009 Bell et al. D24/169
D615,958 S * 5/2010 Tkachuk et al. D14/148

OTHER PUBLICATIONS

Inventec FW07, <URL:http://www.inventec-inc.com/web2/gsm_jsp?type=9&productID=10030>, retrieved from internet May 19, 2010.*

* cited by examiner

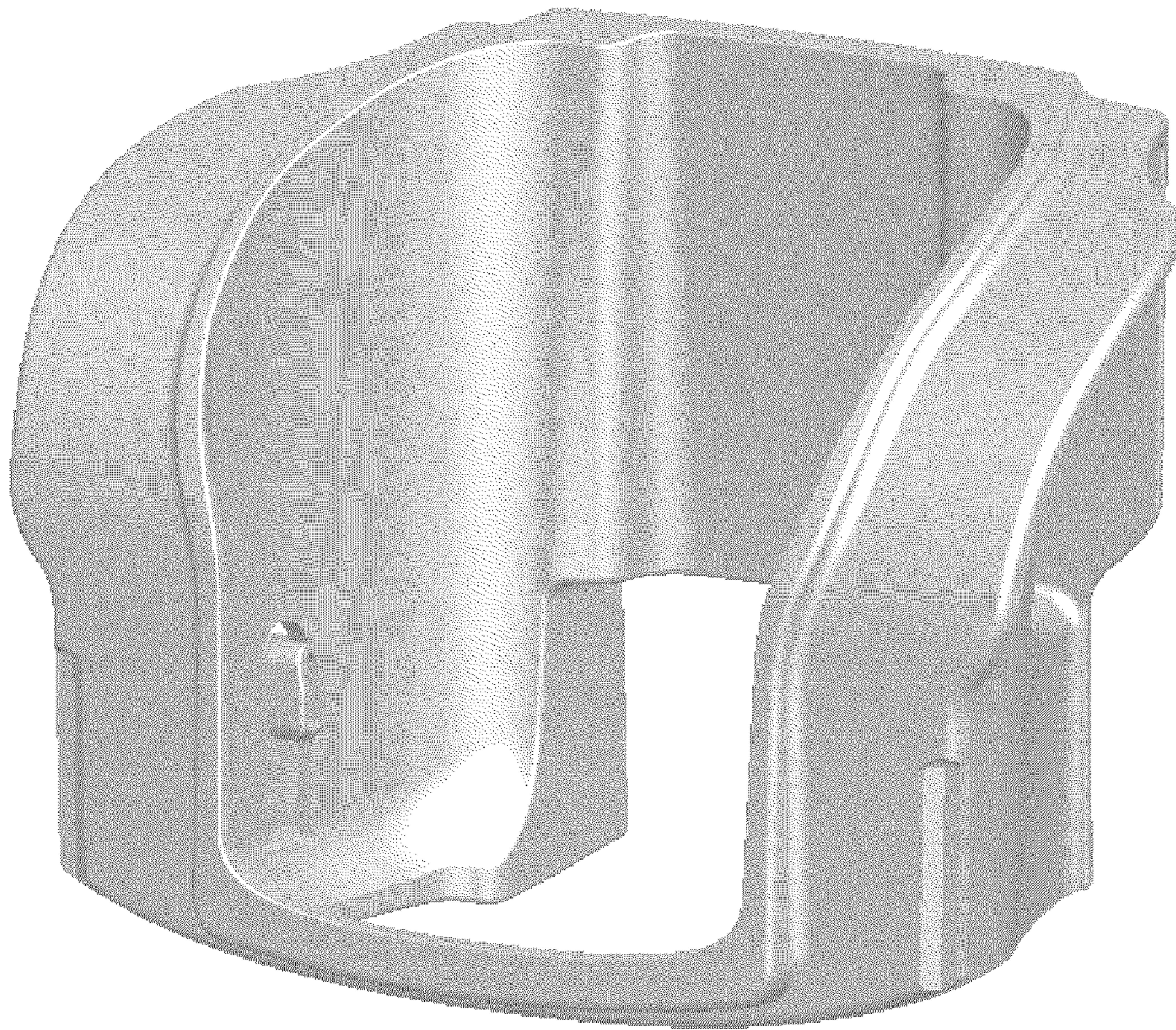


FIG. 1

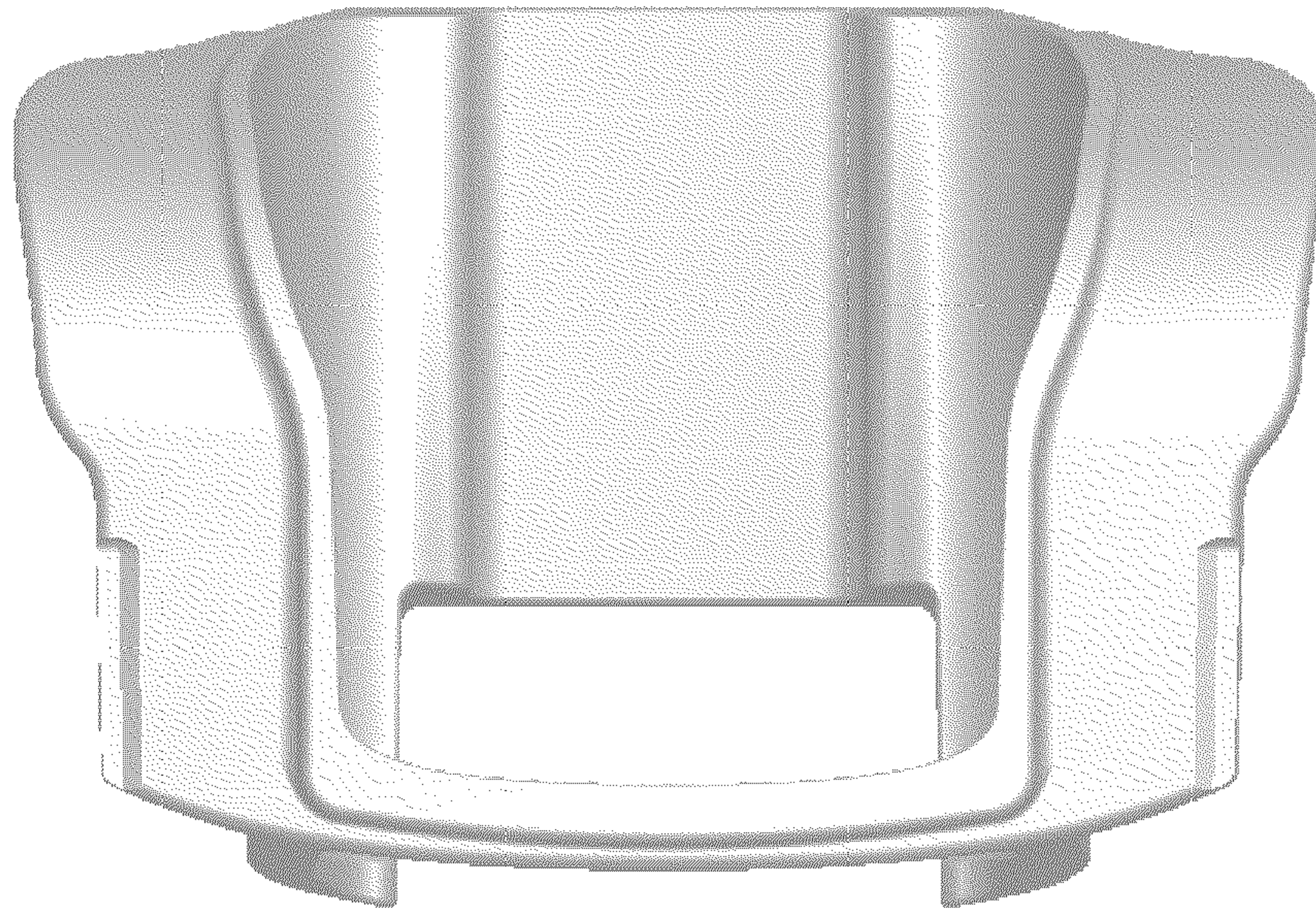


FIG. 2

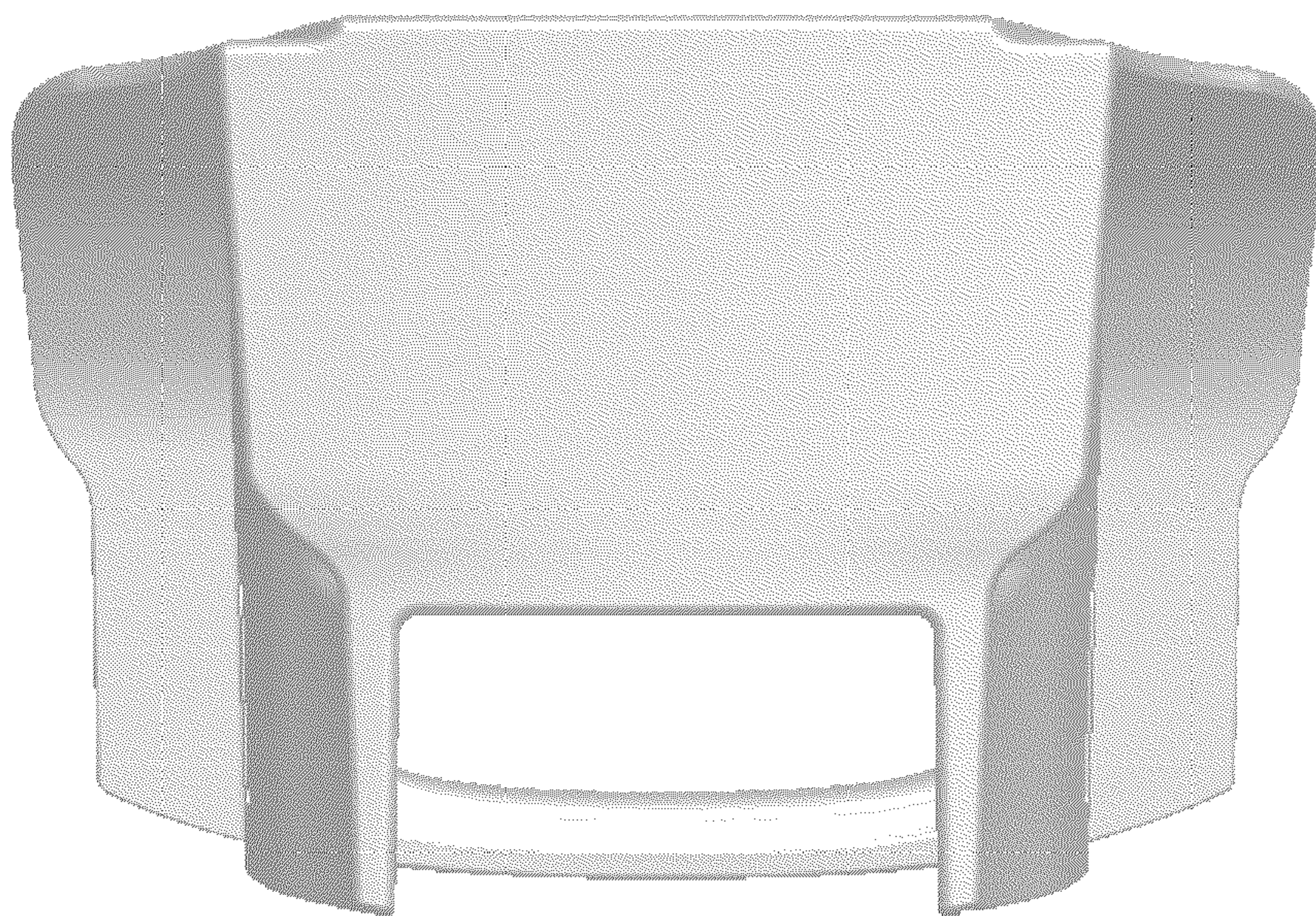


FIG. 3

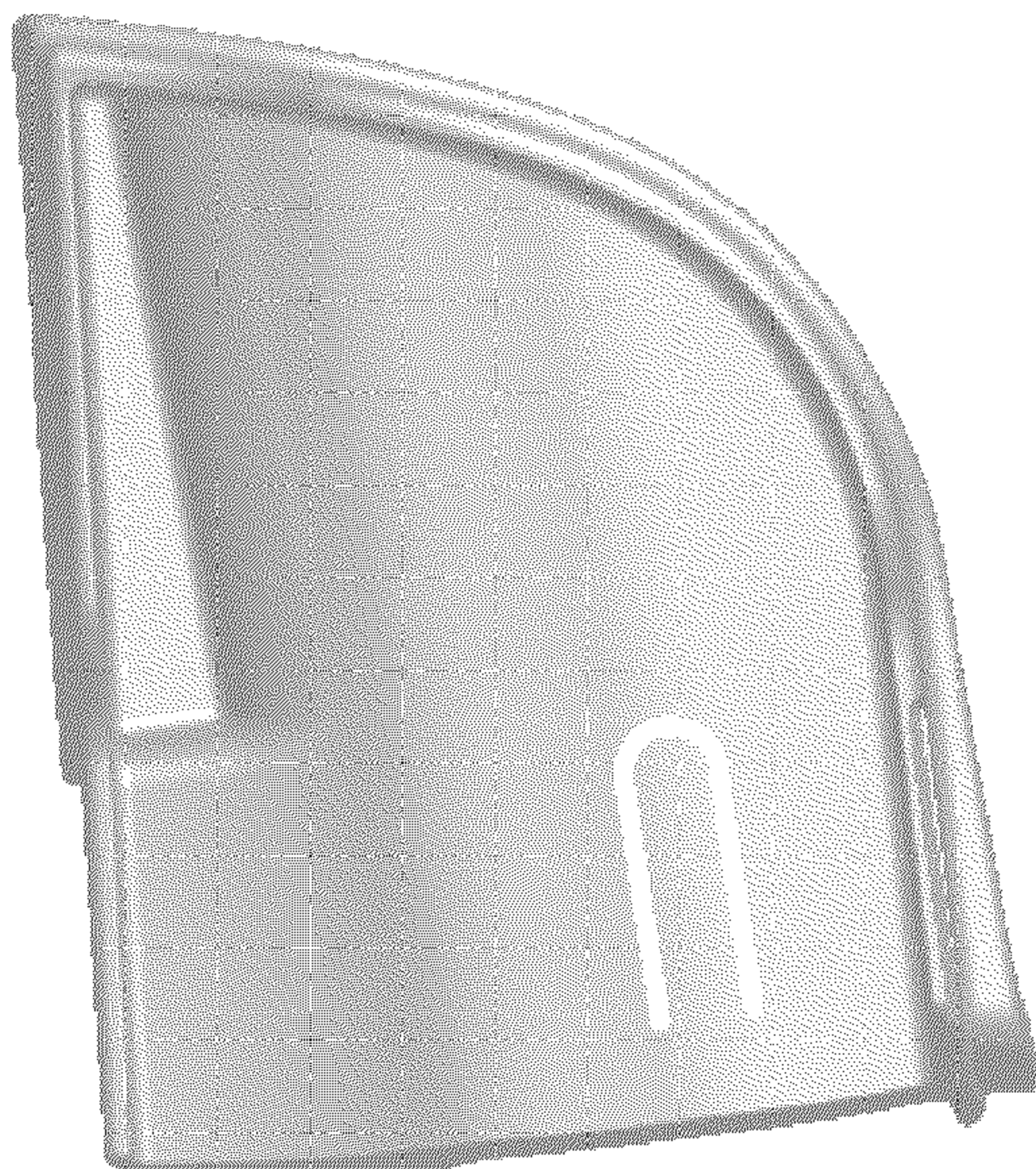


FIG. 4

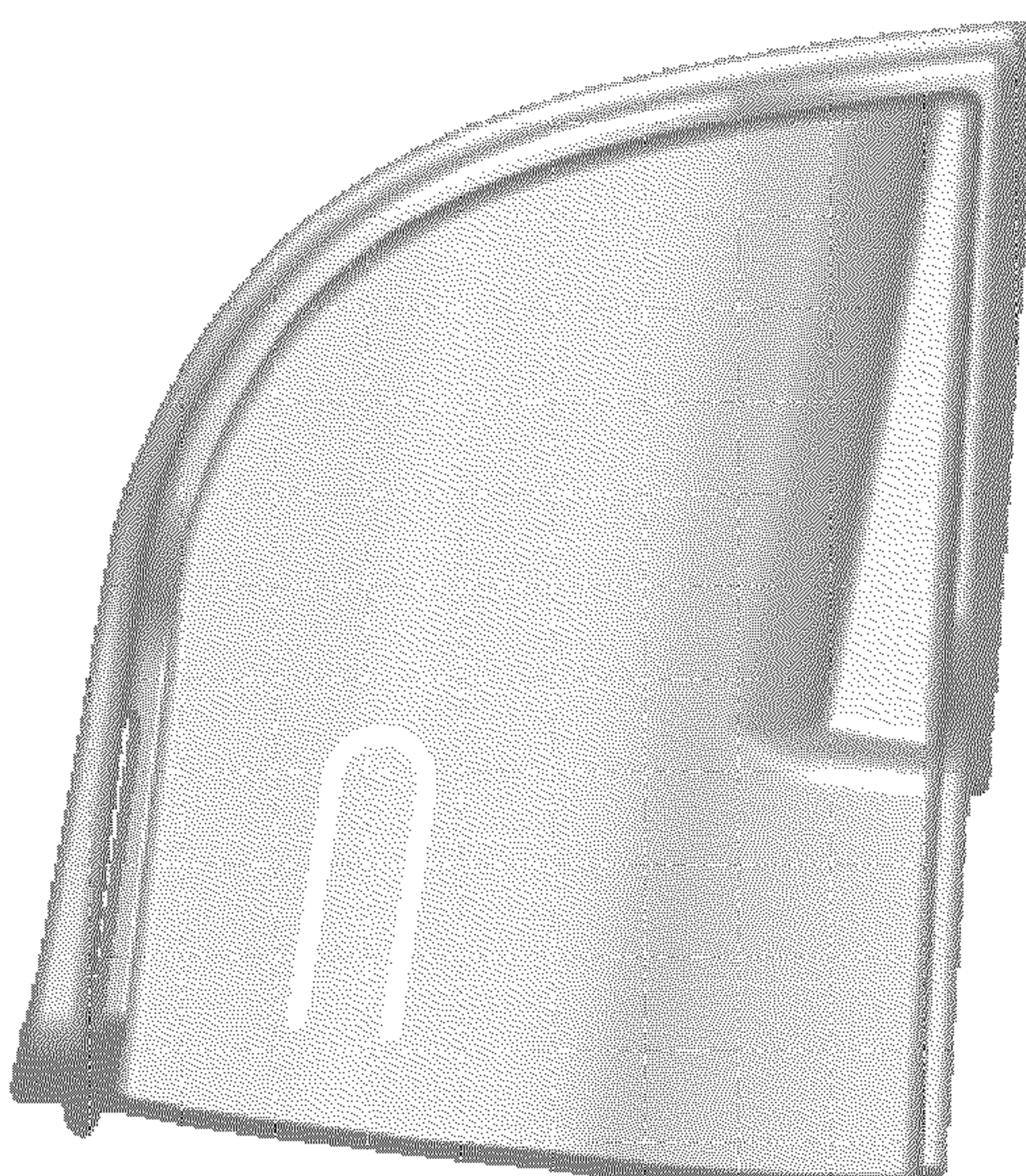


FIG. 5

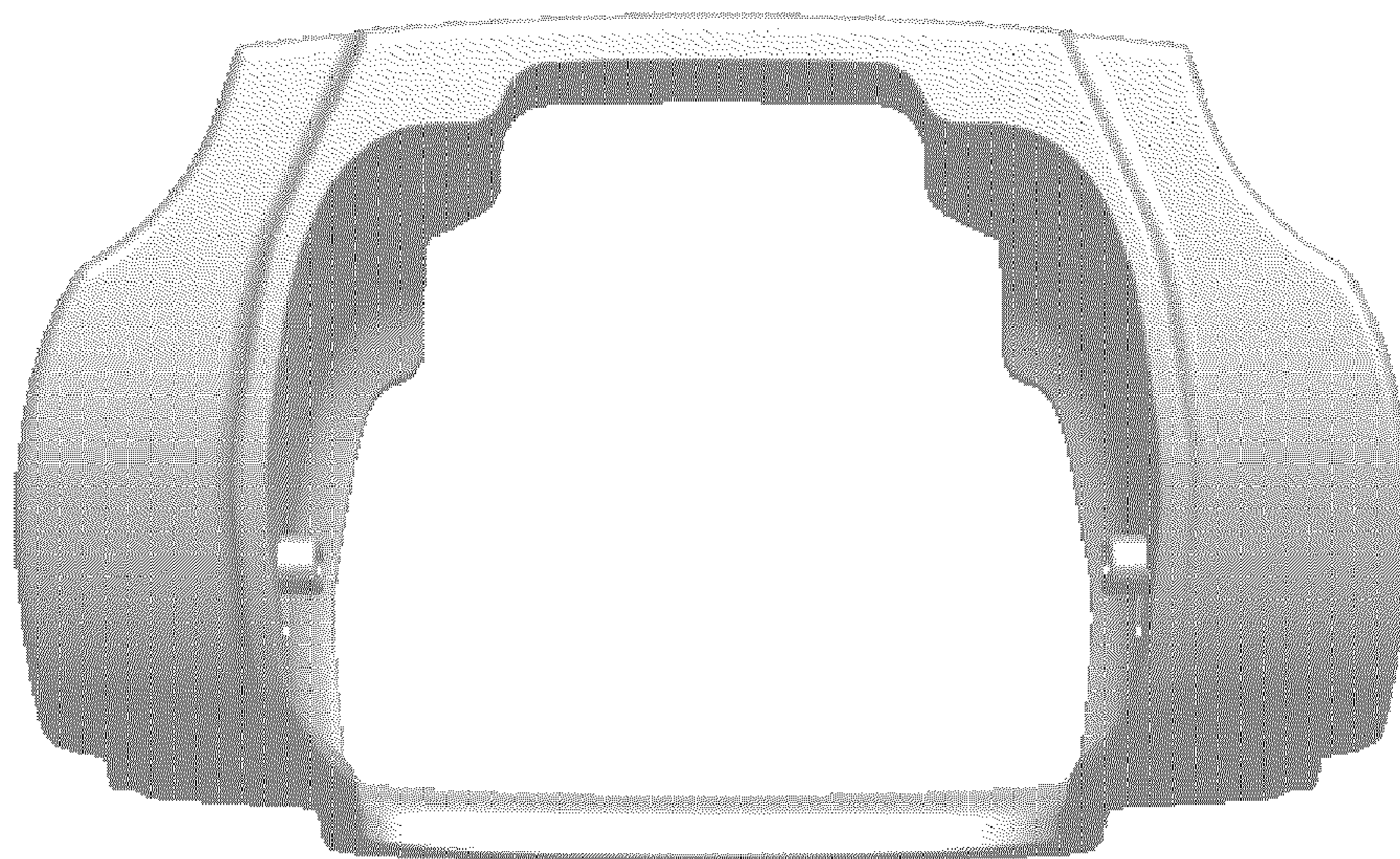


FIG. 6

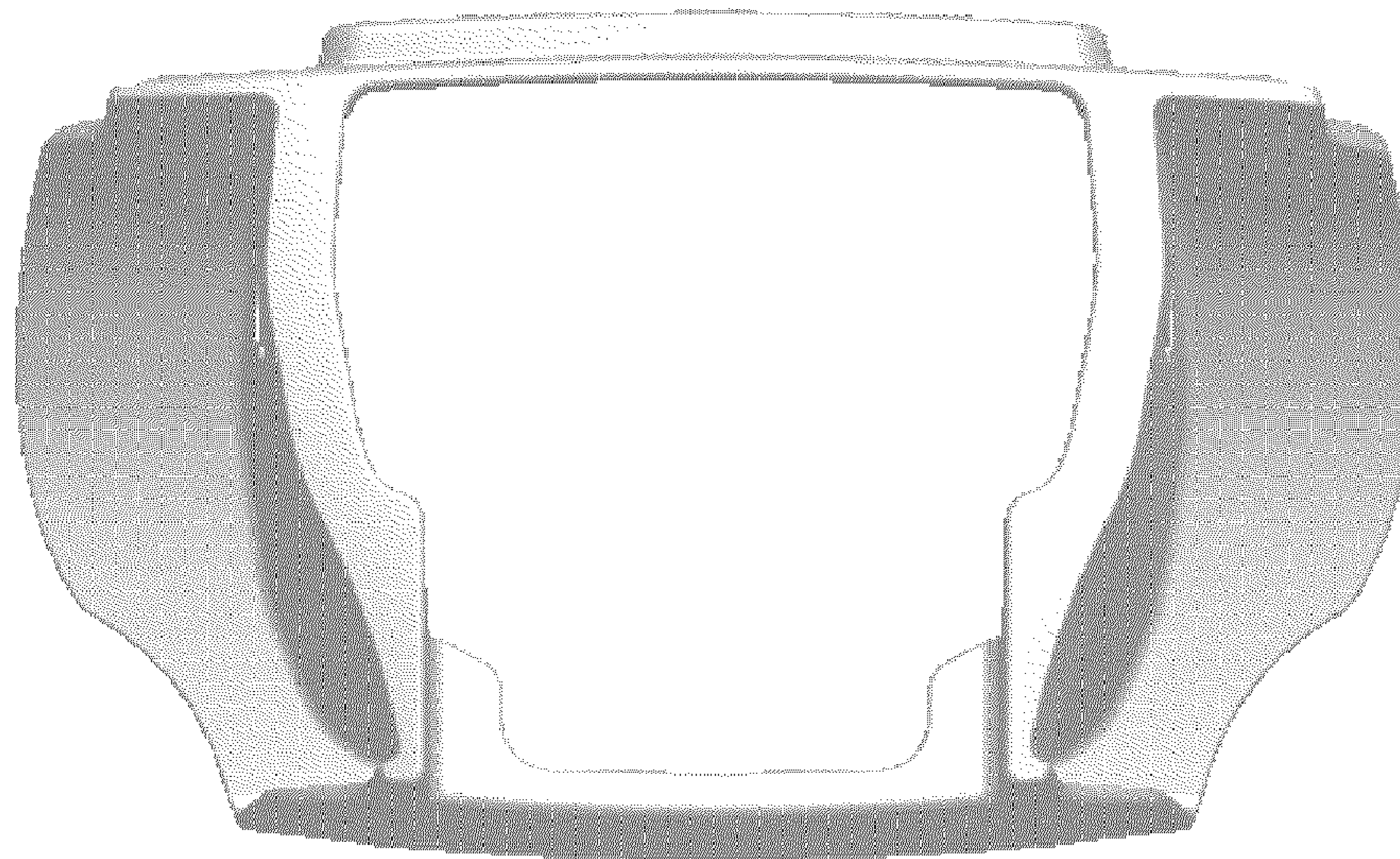


FIG. 7

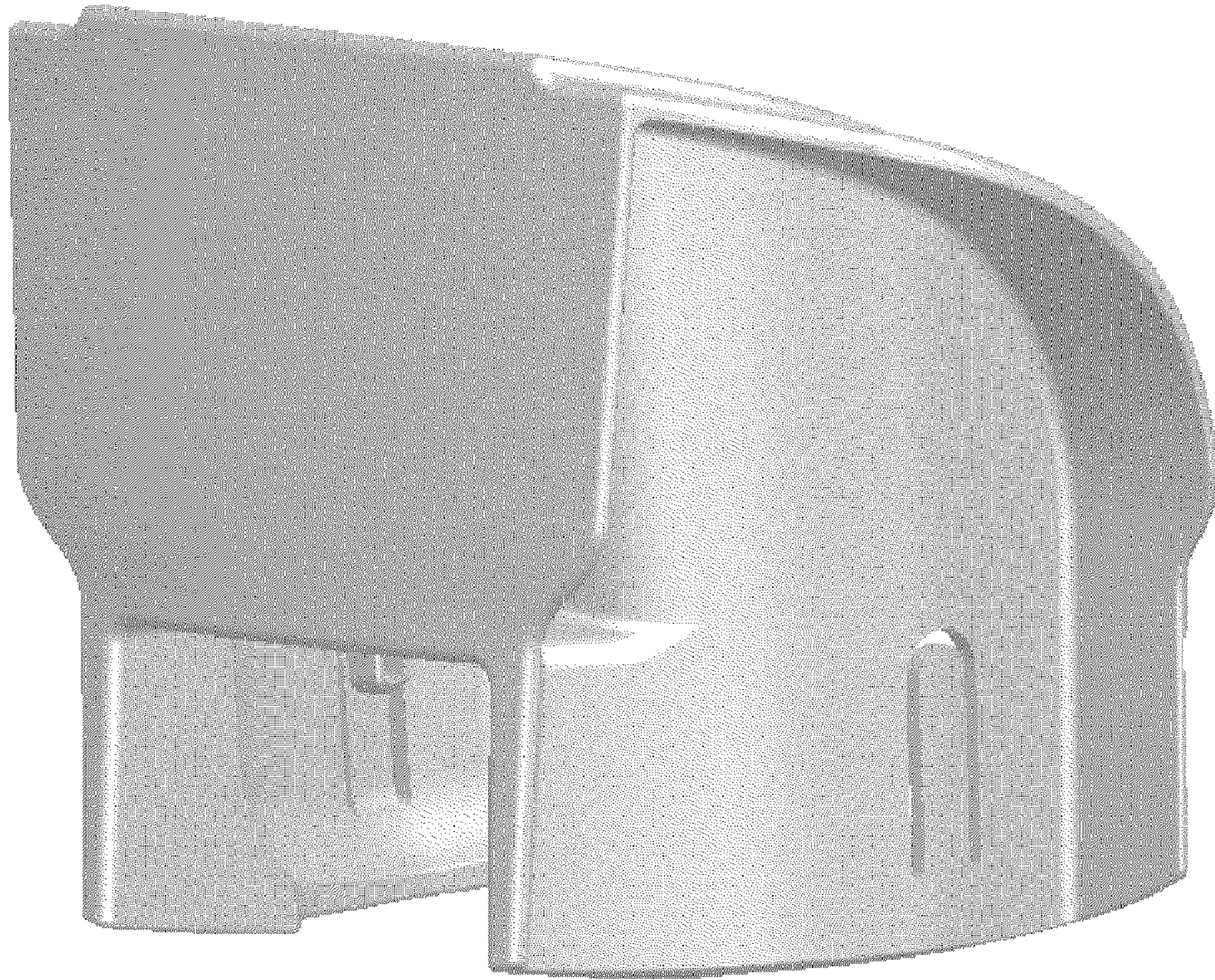


FIG. 8