



US00D621817S

(12) **United States Design Patent**
Brickstad

(10) **Patent No.:** **US D621,817 S**

(45) **Date of Patent:** **** Aug. 17, 2010**

(54) **HEADSET EARPIECE**

(75) Inventor: **Per Brickstad**, Espoo (FI)

(73) Assignee: **Nokia Corporation**, Espoo (FI)

(**) Term: **14 Years**

(21) Appl. No.: **29/334,709**

(22) Filed: **Mar. 31, 2009**

(51) **LOC (9) Cl.** **14-01**

(52) **U.S. Cl.** **D14/223**

(58) **Field of Classification Search** D14/205,
D14/206, 223; 181/129, 130; 379/430, 420.01,
379/420.02, 420.04; 455/90.2, 569.1, 575.1
See application file for complete search history.

(56) **References Cited**

U.S. PATENT DOCUMENTS

D176,810	S	*	1/1956	Norris	D14/192
D177,346	S	*	4/1956	Norris	D14/192
3,906,478	A	*	9/1975	Smey	340/575
D350,961	S	*	9/1994	Nakamura	D14/205
D464,638	S	*	10/2002	Huang	D14/205
D469,755	S	*	2/2003	Hlas et al.	D14/223
D470,122	S	*	2/2003	Hlas et al.	D14/205
D470,123	S	*	2/2003	Hlas et al.	D14/205
D470,128	S	*	2/2003	Hlas et al.	D14/223
D477,592	S	*	7/2003	Komiyama	D14/223
D477,822	S	*	7/2003	Komiyama	D14/223
D481,709	S	*	11/2003	Solderits	D14/228
6,728,388	B1	*	4/2004	Nageno et al.	381/381
D505,415	S	*	5/2005	Han et al.	D14/223
D508,911	S	*	8/2005	Sanders	D14/223
D524,793	S	*	7/2006	Ohtsuki et al.	D14/205

D537,438	S	*	2/2007	Hermansen	D14/223
D542,282	S	*	5/2007	Yoshiyama	D14/223
D543,972	S	*	6/2007	Taylor	D14/223
D559,837	S	*	1/2008	Nakano	D14/223
D562,808	S	*	2/2008	Gwee	D14/223
D575,278	S	*	8/2008	Guccione et al.	D14/223
D579,006	S	*	10/2008	Kim et al.	D14/223
D584,293	S	*	1/2009	Kim et al.	D14/223
D584,720	S	*	1/2009	Houy	D14/223
D597,534	S	*	8/2009	Christopher	D14/223

* cited by examiner

Primary Examiner—Paula Greene

(74) *Attorney, Agent, or Firm*—Banner & Witcoff, Ltd.

(57) **CLAIM**

The ornamental design for a headset earpiece, as shown and described.

DESCRIPTION

FIG. 1 is a perspective front view of a headset earpiece showing my new design, the opposite perspective view is a mirror image;

FIG. 2 is a front view thereof;

FIG. 3 is a right side view thereof;

FIG. 4 is a left side view thereof;

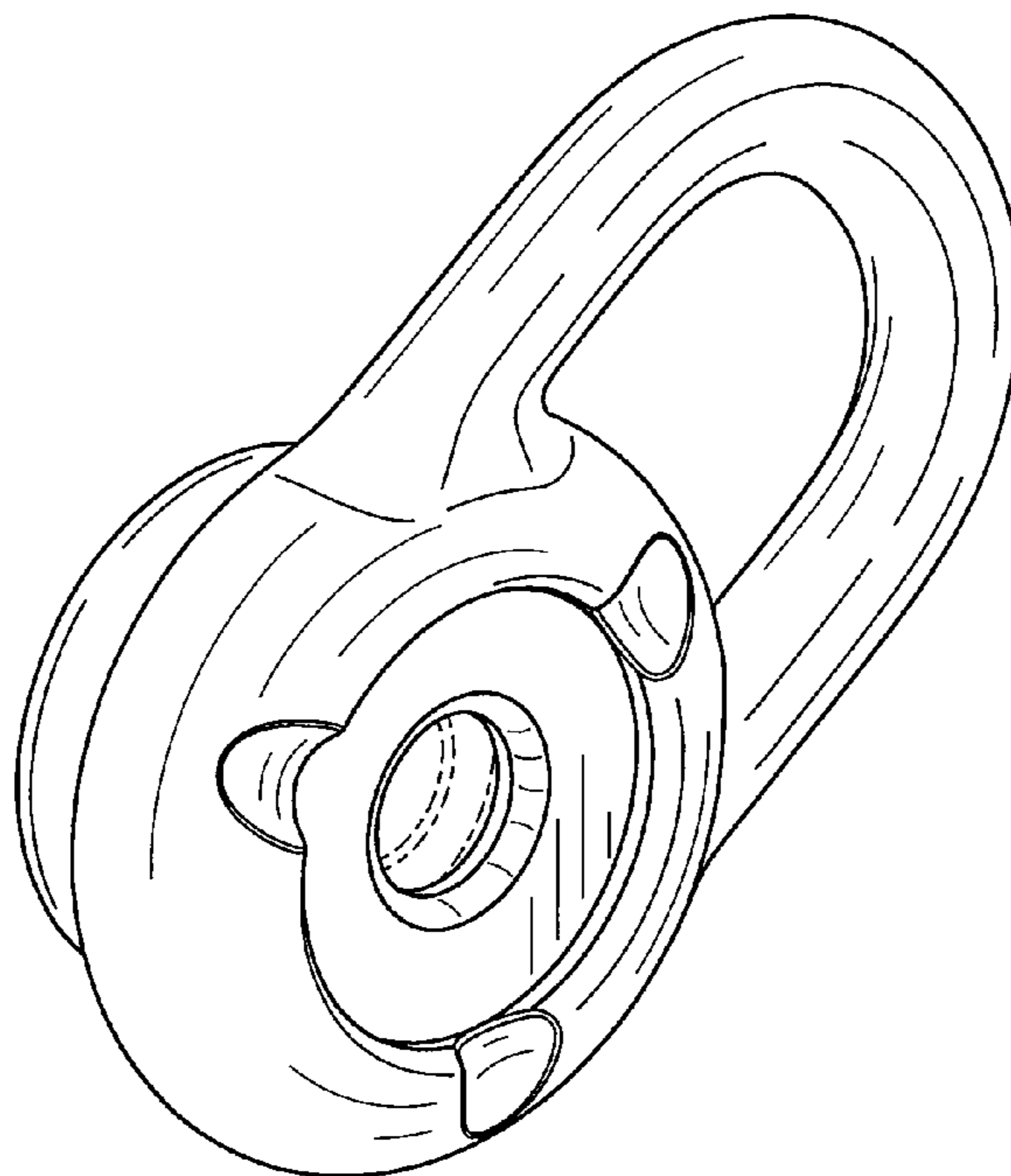
FIG. 5 is a top view thereof;

FIG. 6 is a bottom view thereof; and,

FIG. 7 is a rear view thereof.

The broken line showing of the environmental structure of the headset earpiece in FIGS. 1–7 is for illustrative purposes only and forms no part of the claimed design.

1 Claim, 3 Drawing Sheets



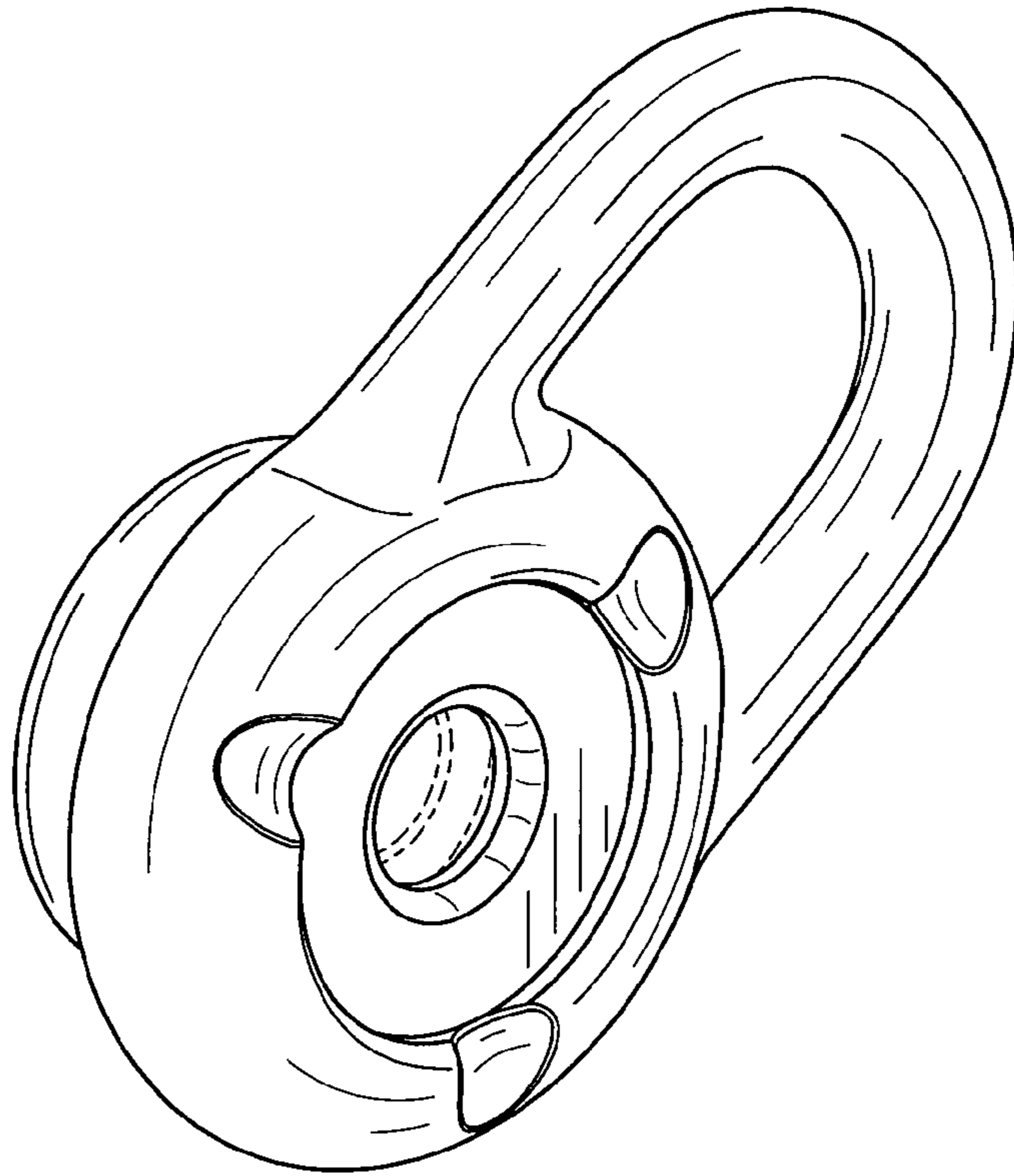


FIG. 1

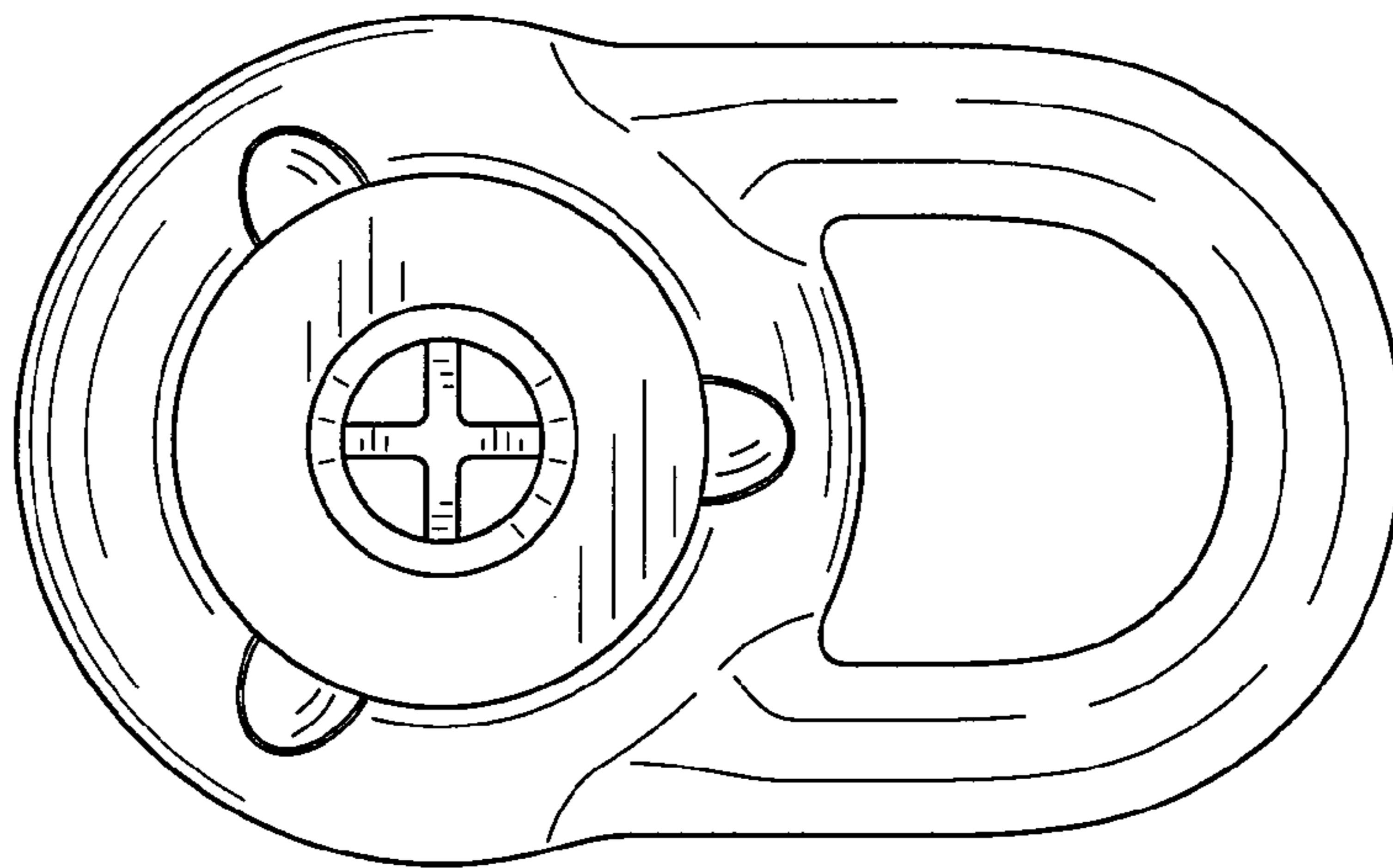


FIG. 2

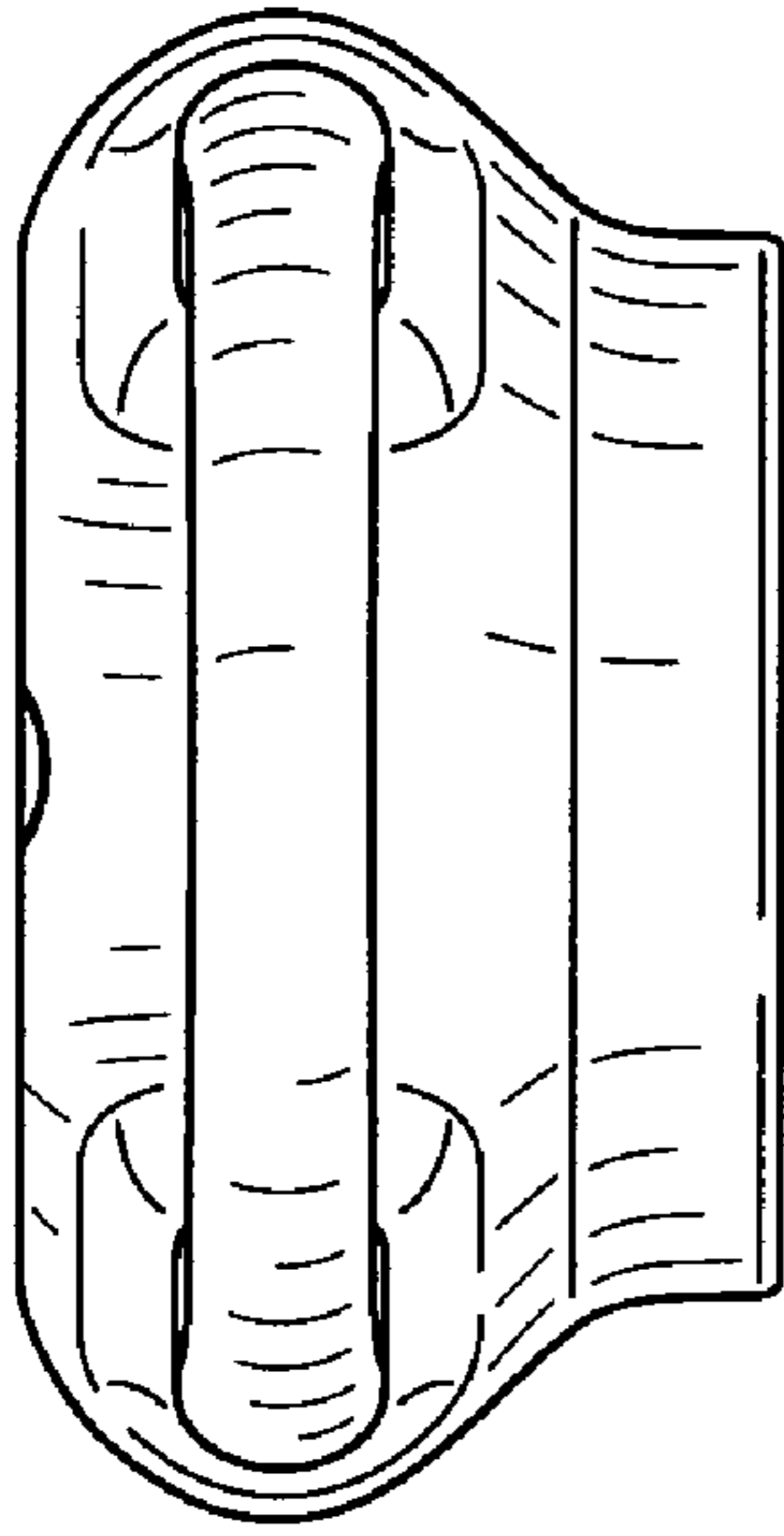


FIG. 3

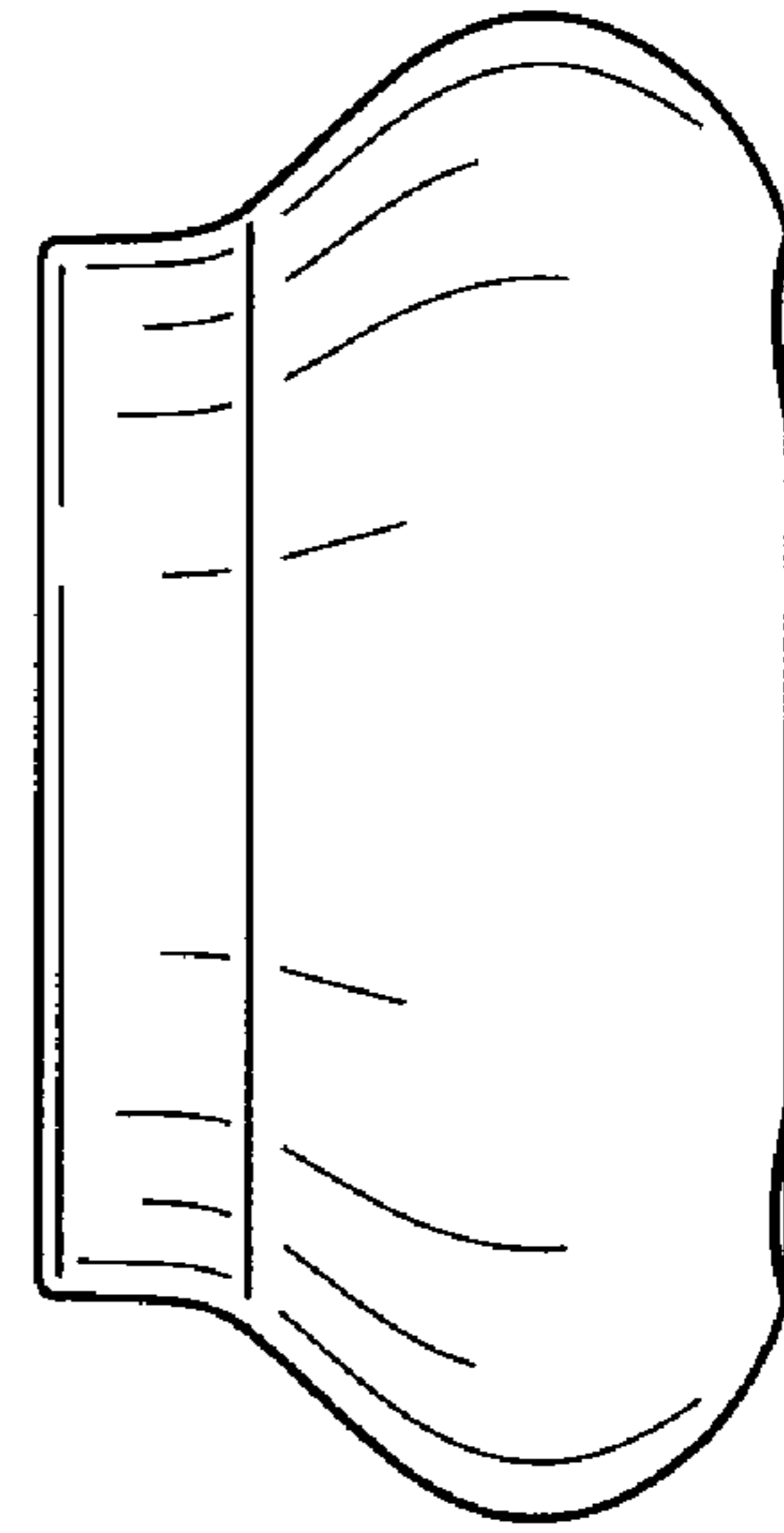


FIG. 4

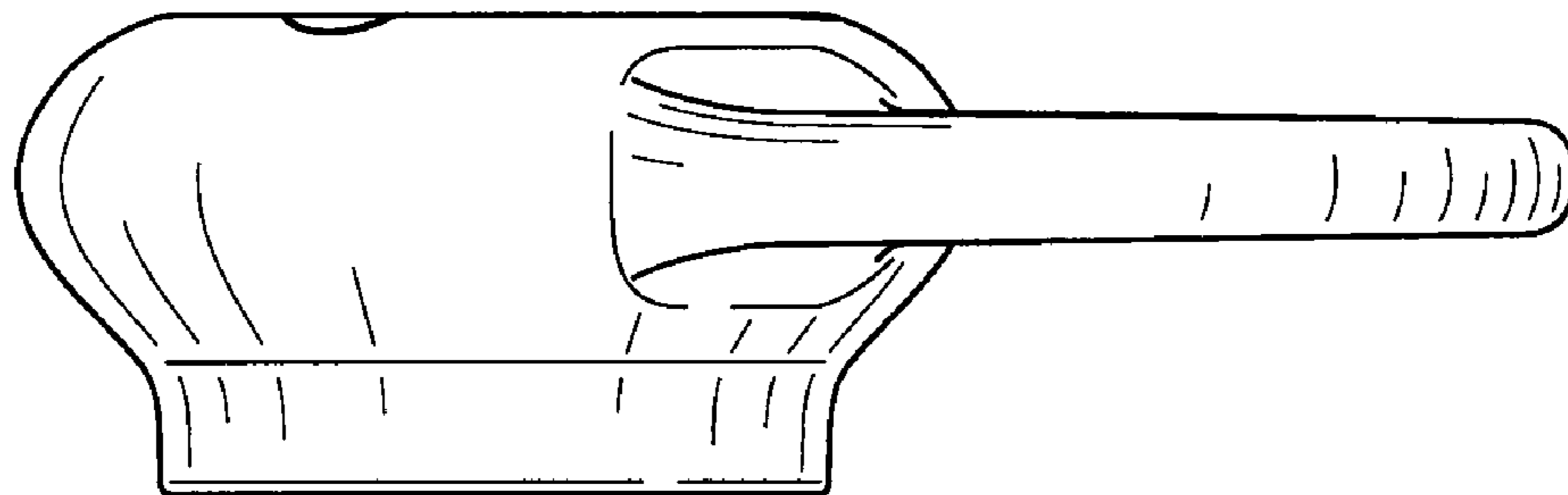


FIG. 5

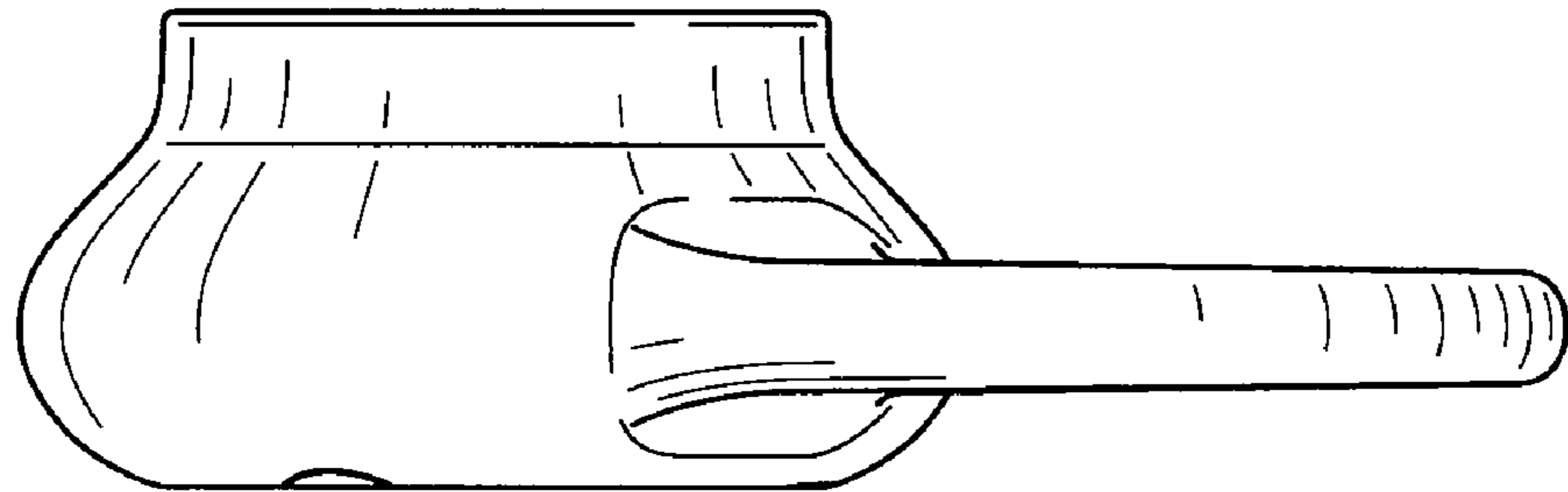


FIG. 6

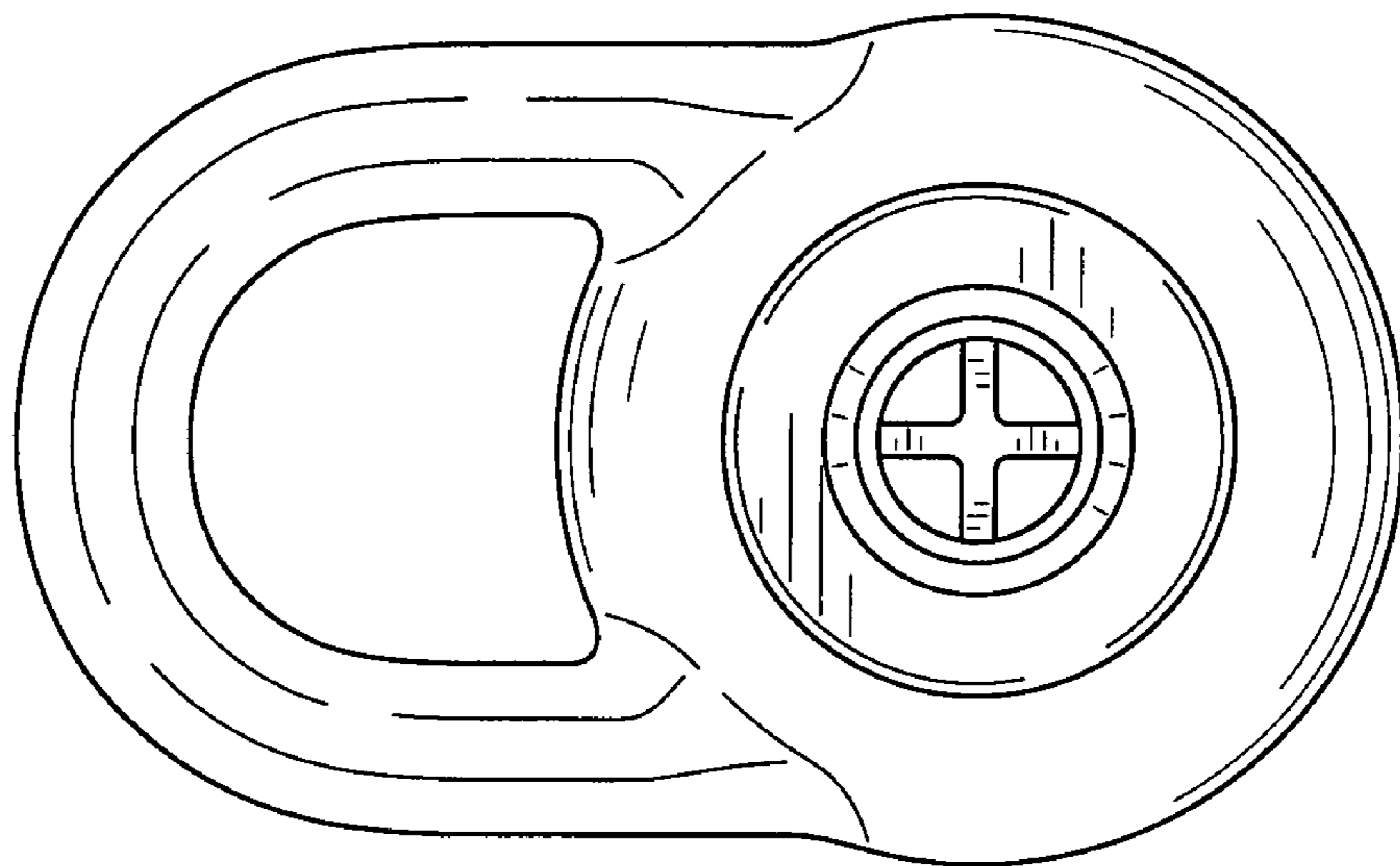


FIG. 7