



US00D621815S

(12) **United States Design Patent**
Sakai

(10) **Patent No.:** **US D621,815 S**
(45) **Date of Patent:** **** Aug. 17, 2010**

(54) **SPEAKER UNIT**

(75) Inventor: **Shinichi Sakai**, Tokyo (JP)
(73) Assignee: **Mitsubishi Electric Engineering Company, Limited**, Tokyo (JP)
(**) Term: **14 Years**
(21) Appl. No.: **29/345,037**
(22) Filed: **Oct. 8, 2009**

(30) **Foreign Application Priority Data**

May 29, 2009 (JP) 2009-012072

(51) **LOC (9) Cl.** **14-01**
(52) **U.S. Cl.** **D14/214**
(58) **Field of Classification Search** D14/204,
D14/210–216, 172; 181/143–144, 147–148,
181/150–153, 157, 198–199; 381/300–303,
381/306, 332–333, 336, 345, 361–364, 386–388
See application file for complete search history.

(56) **References Cited**

U.S. PATENT DOCUMENTS

D472,542 S * 4/2003 Oikawa D14/172
D520,494 S * 5/2006 Aiba et al. D14/214
D578,997 S * 10/2008 Takuma D14/172
D589,929 S * 4/2009 Okamura et al. D14/211

OTHER PUBLICATIONS

Commonly assigned co-pending U.S. Appl. No. 29/345,043, filed Oct. 8, 2009, entitled Speaker Unit.

* cited by examiner

Primary Examiner—Nanda Bondade

(74) *Attorney, Agent, or Firm*—Van Dyke, Gardner, Linn & Burkhart, LLP

(57) **CLAIM**

The ornamental design for the speaker unit, substantially as shown and described.

DESCRIPTION

FIG. 1 is a perspective view of the speaker unit of an embodiment of the present invention;

FIG. 2 is a front elevation view of the speaker unit of FIG. 1;

FIG. 3 is a rear elevation view of the speaker unit of FIG. 1;

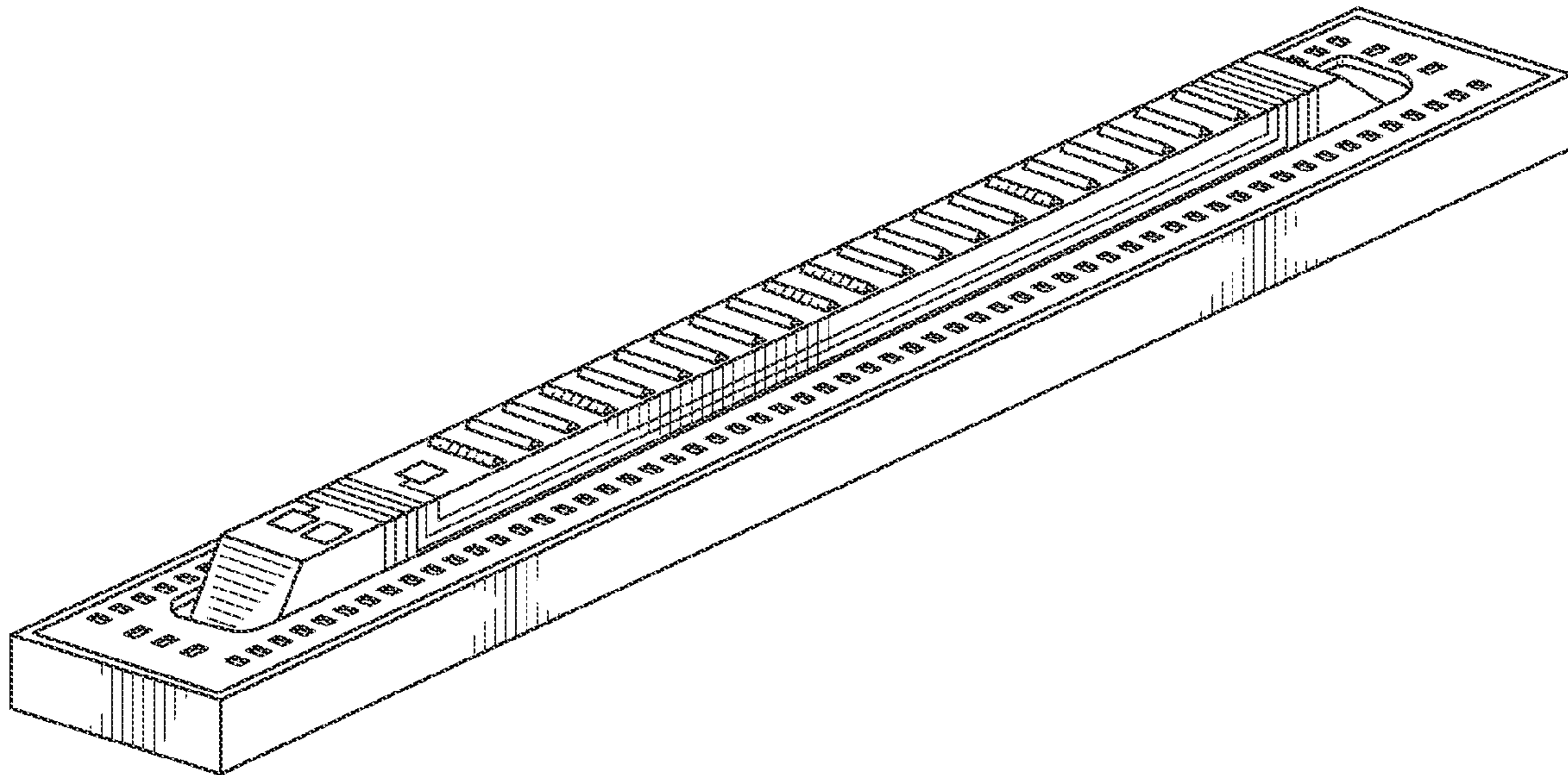
FIG. 4 is a right-side elevation view of the speaker unit of FIG. 1;

FIG. 5 is a left-side elevation view of the speaker unit of FIG. 1;

FIG. 6 is a top plan view of the speaker unit of FIG. 1; and,

FIG. 7 is a bottom plan view of the speaker unit of FIG. 1.

1 Claim, 4 Drawing Sheets



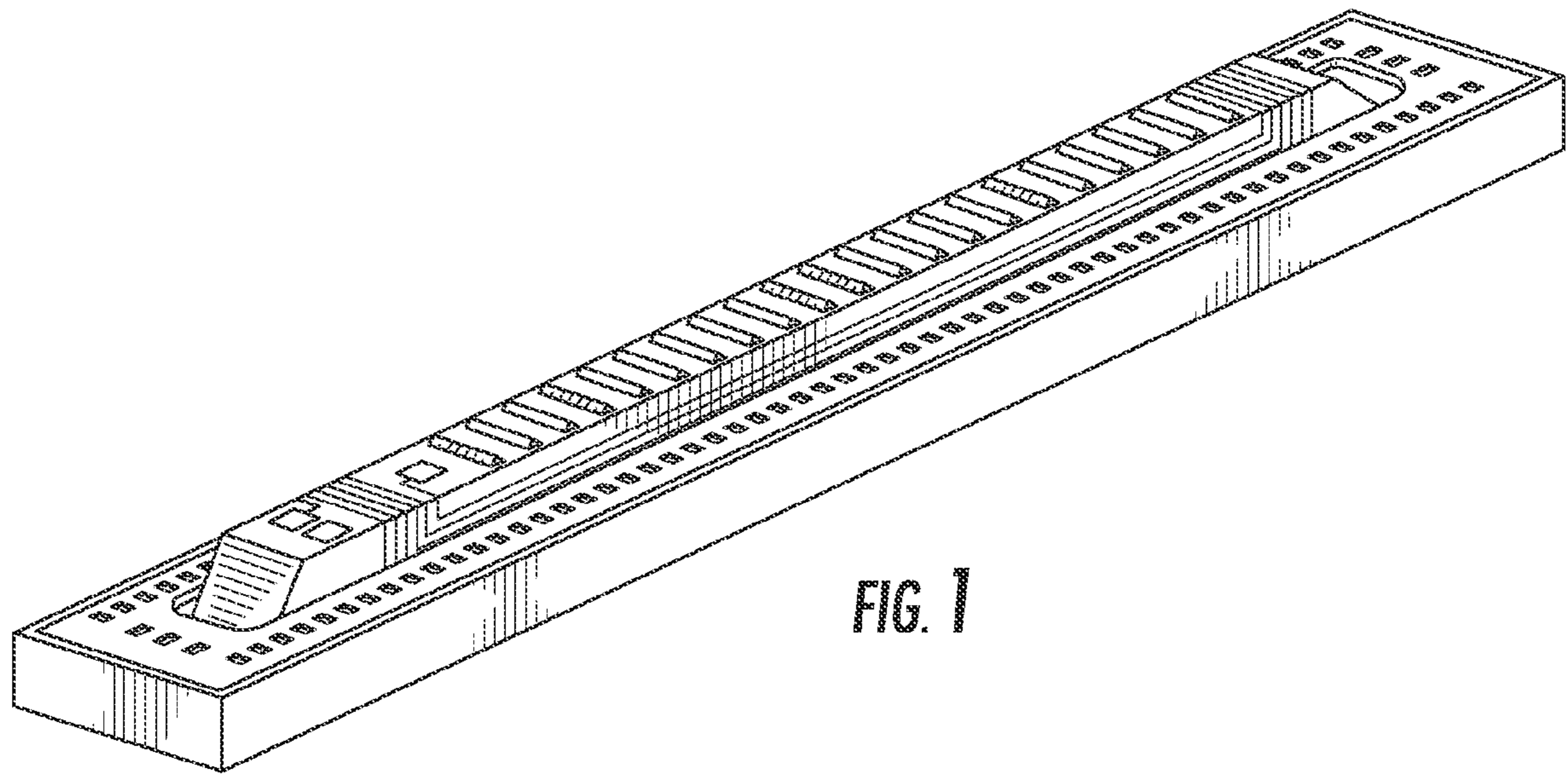


FIG. 1

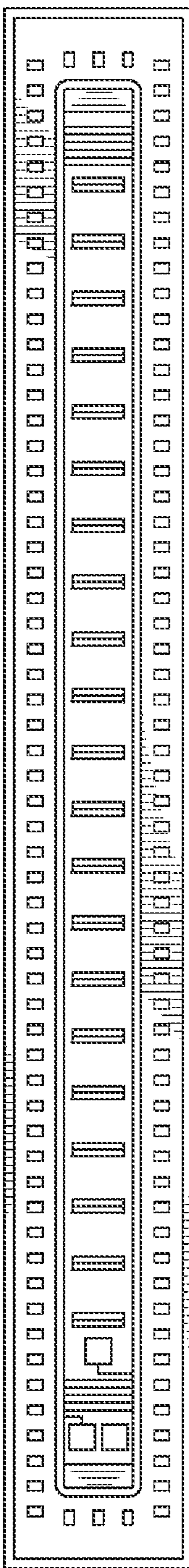


FIG. 2

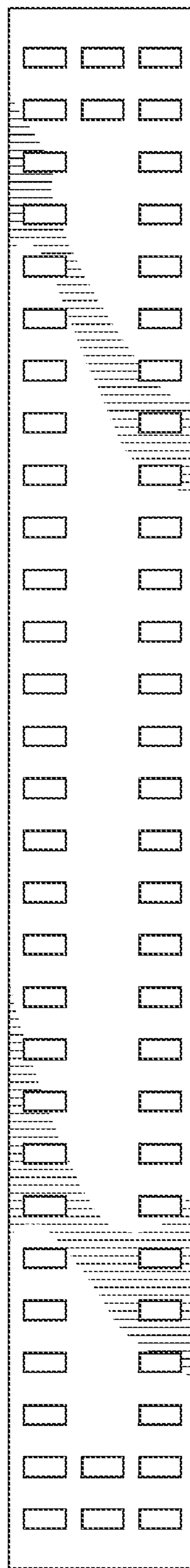


FIG. 3

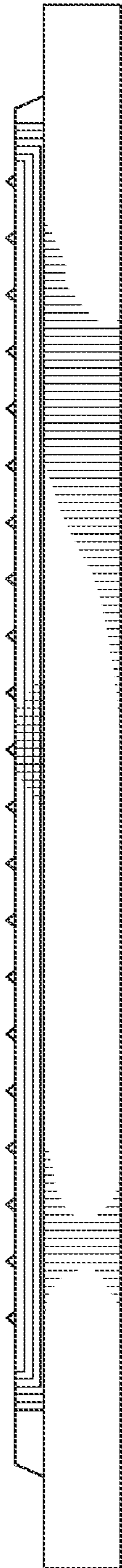


FIG. 4

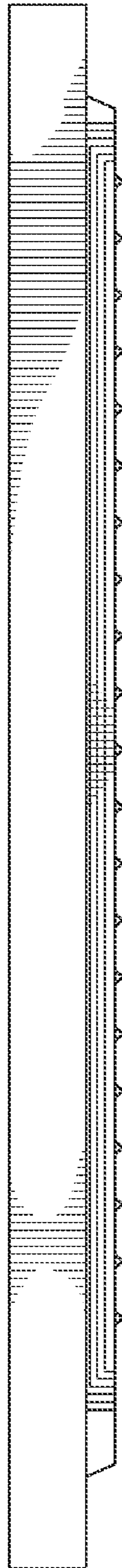


FIG. 5

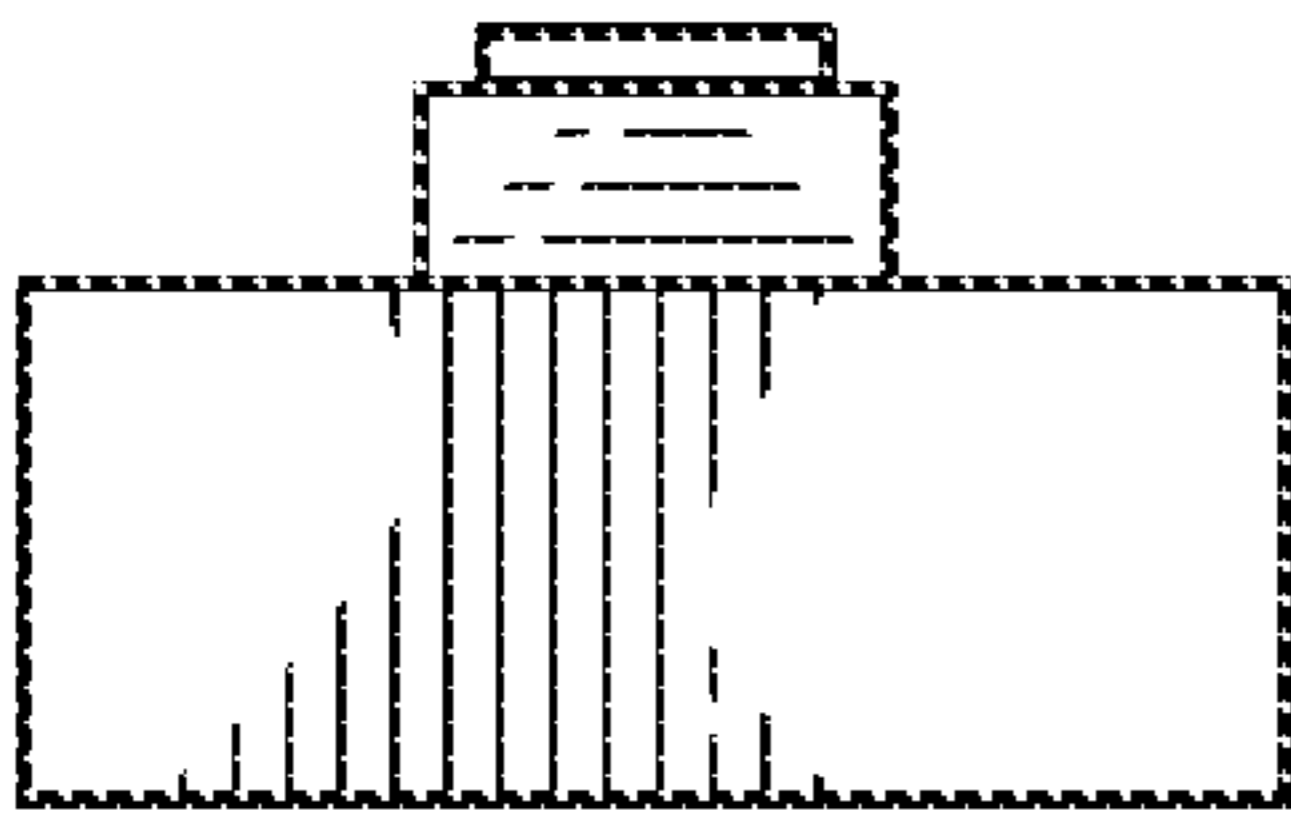


FIG. 6

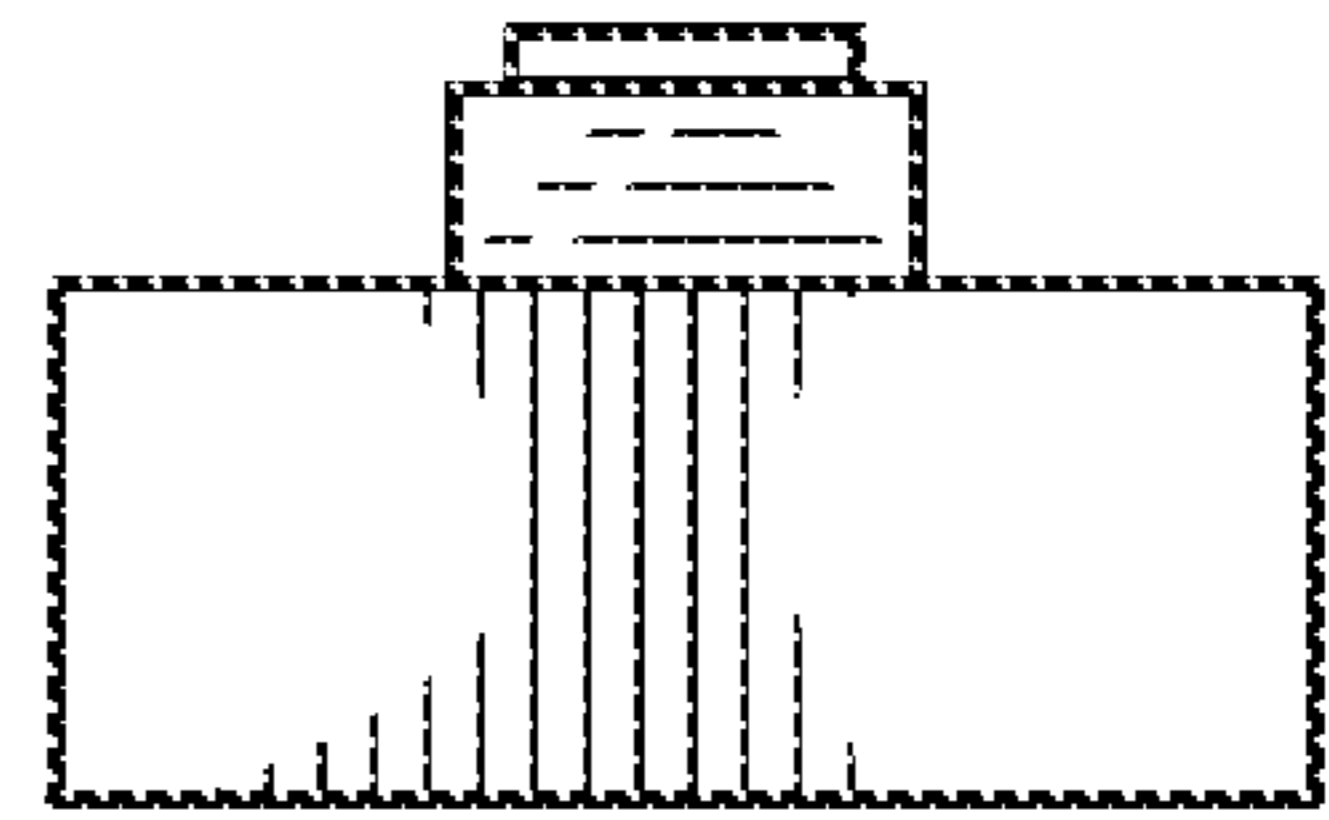


FIG. 7