



US00D621813S

(12) **United States Design Patent**  
**Wang et al.**

(10) **Patent No.:** **US D621,813 S**

(45) **Date of Patent:** **\*\* \*Aug. 17, 2010**

(54) **PORTABLE SPEAKER SYSTEM**

(75) Inventors: **Bowman Wang**, Ben Lomond, CA (US);  
**Minsung Kwon**, San Jose, CA (US)

(73) Assignee: **Altec Lansing, LLC**, Milford, PA (US)

(\*) Notice: This patent is subject to a terminal disclaimer.

(\*\*) Term: **14 Years**

(21) Appl. No.: **29/335,705**

(22) Filed: **Apr. 20, 2009**

(51) **LOC (9) Cl.** ..... **14-01**

(52) **U.S. Cl.** ..... **D14/209.1**

(58) **Field of Classification Search** ..... D14/204,  
D14/209.1, 210–217, 168, 170–172; 181/143–144,  
181/147–148, 150–153, 157, 198–199; 381/300–303,  
381/306, 332–333, 336, 345, 361–364, 386–388  
See application file for complete search history.

(56) **References Cited**

**U.S. PATENT DOCUMENTS**

- D523,419 S \* 6/2006 Joseph ..... D14/214
- D556,732 S \* 12/2007 Chan ..... D14/168
- D560,208 S \* 1/2008 Skurdal ..... D14/214

- D560,657 S \* 1/2008 Langberg et al. .... D14/214
- D563,385 S \* 3/2008 Skurdal ..... D14/217
- D577,002 S \* 9/2008 Kurihara ..... D14/170
- D581,903 S \* 12/2008 Joseph ..... D14/214

\* cited by examiner

*Primary Examiner*—Nanda Bondade

(74) *Attorney, Agent, or Firm*—Greenberg Traurig, LLP

(57) **CLAIM**

The ornamental design for a portable speaker system, as shown and described.

**DESCRIPTION**

FIG. 1 is front-top-left perspective view of a portable speaker system showing our new design;

FIG. 2 is a front view thereof;

FIG. 3 is a back view thereof;

FIG. 4 is a left side view thereof;

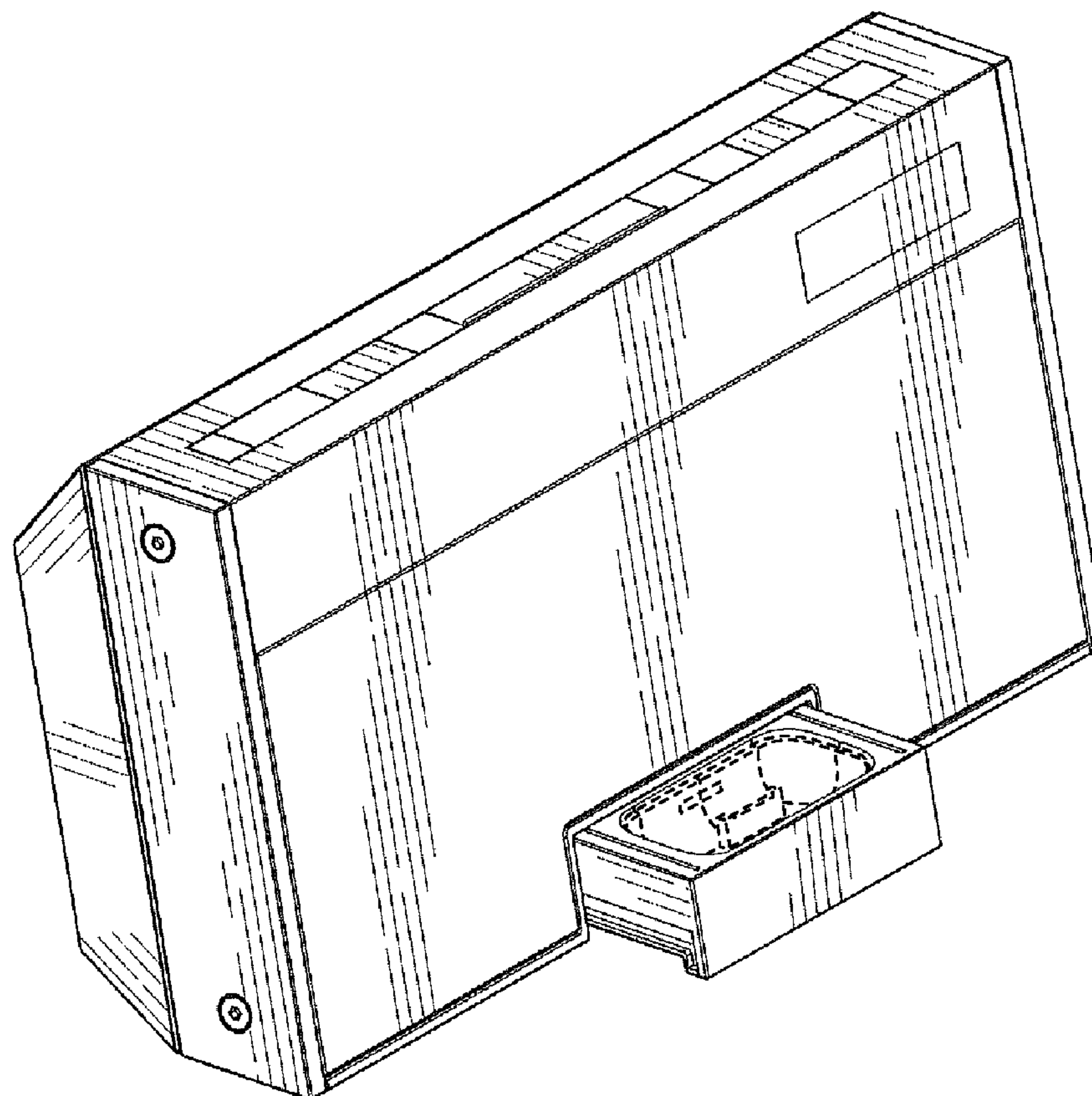
FIG. 5 is a right side view thereof;

FIG. 6 is a top view thereof; and,

FIG. 7 is a bottom view thereof.

The broken lines showing of the unclaimed environment forms no part of the claimed design.

**1 Claim, 3 Drawing Sheets**



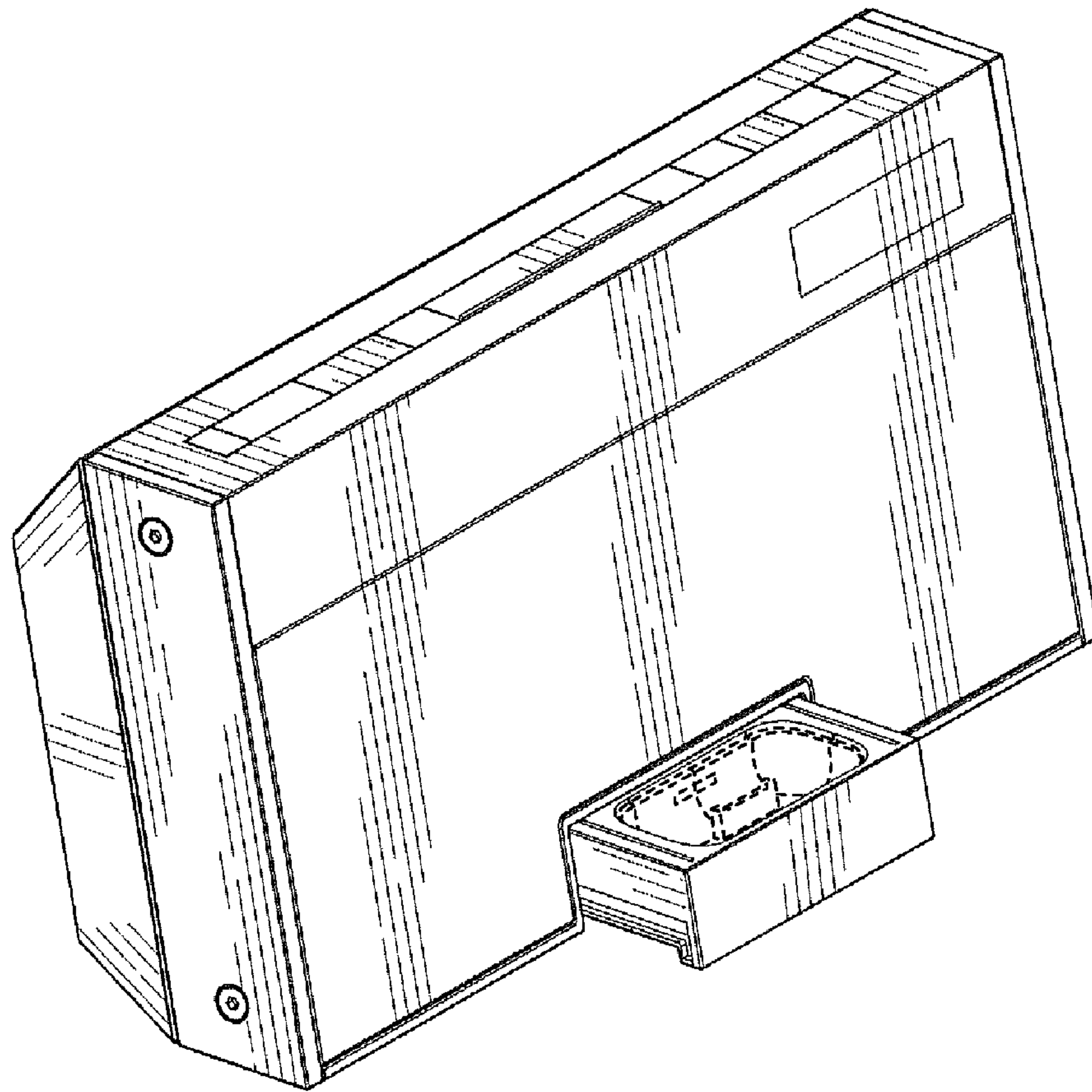


FIG. 1

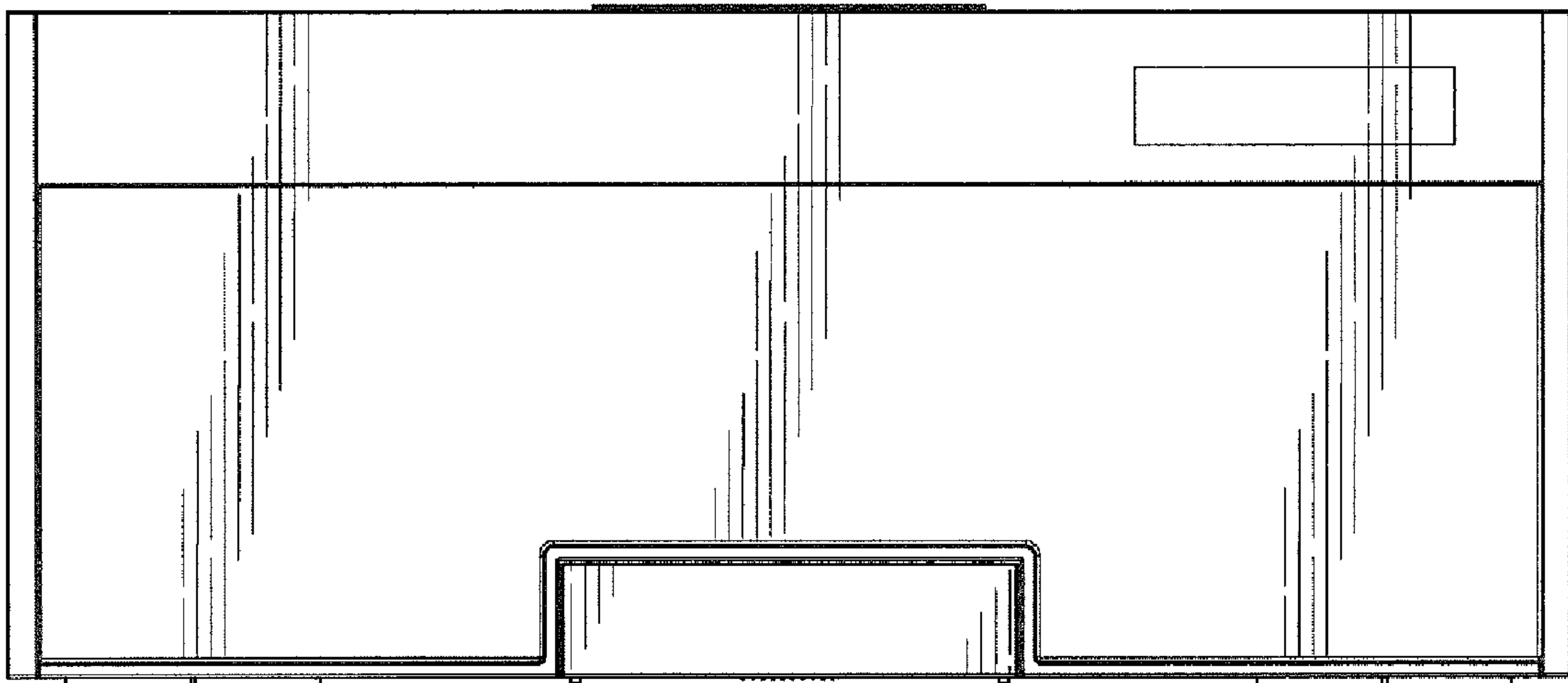


FIG. 2

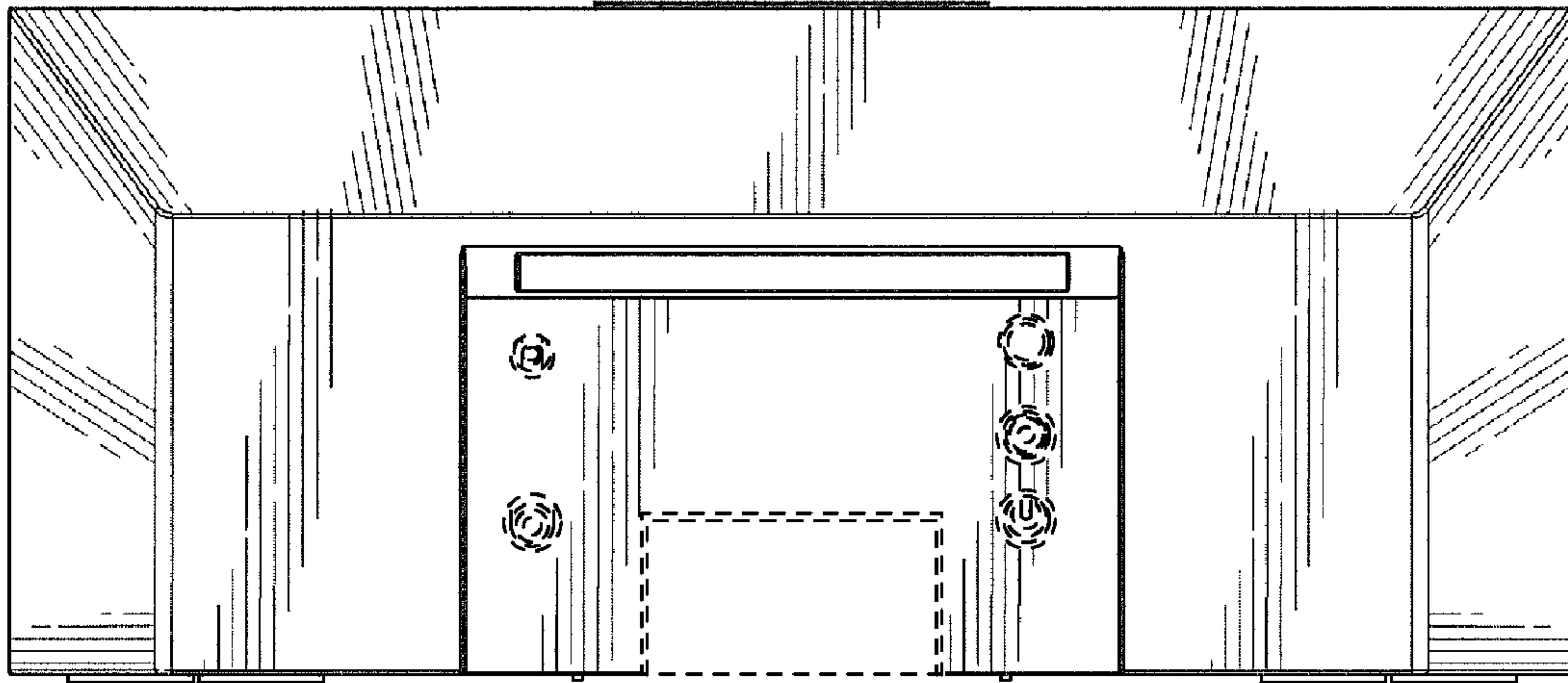


FIG. 3

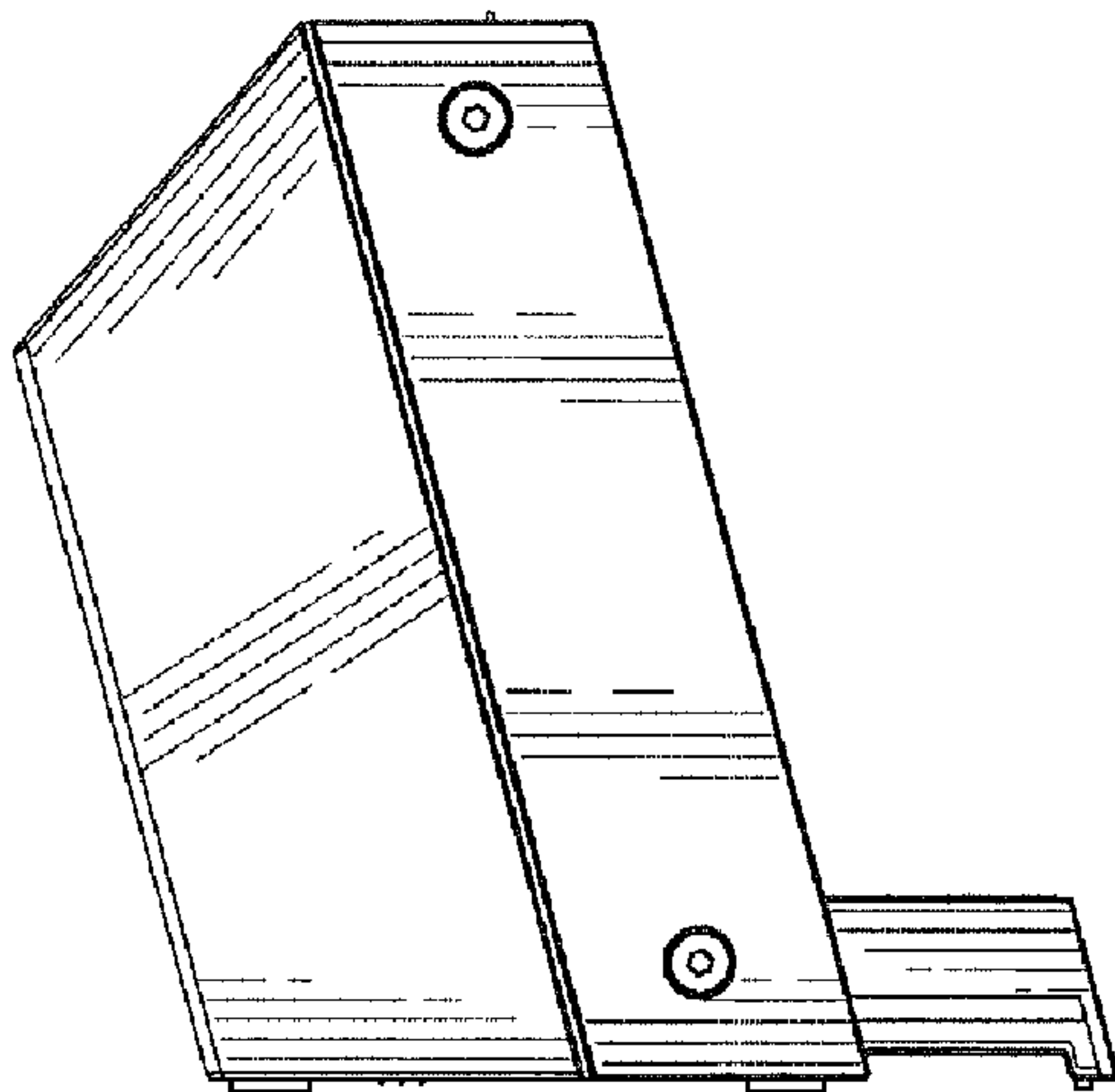


FIG. 4

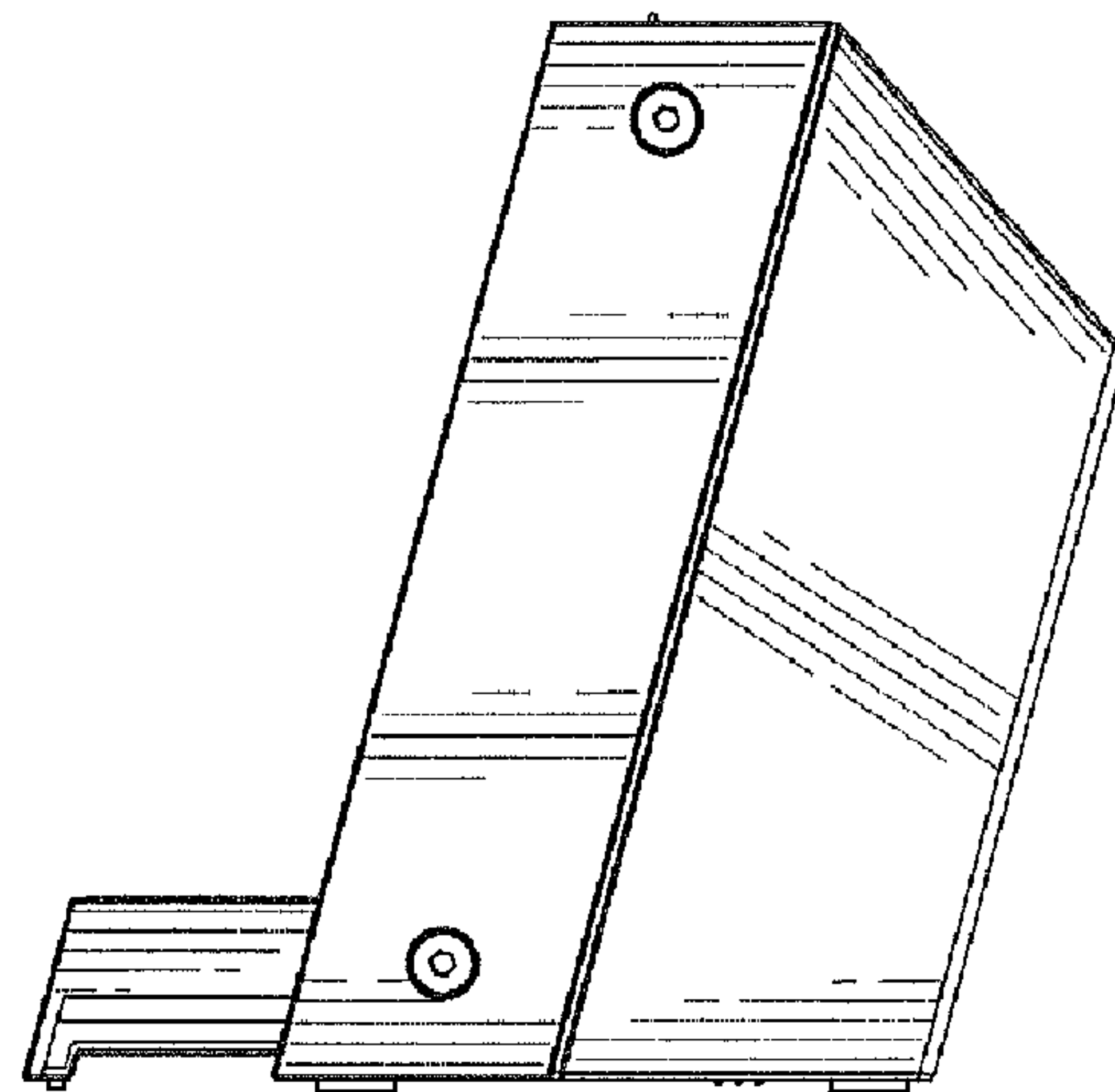


FIG. 5

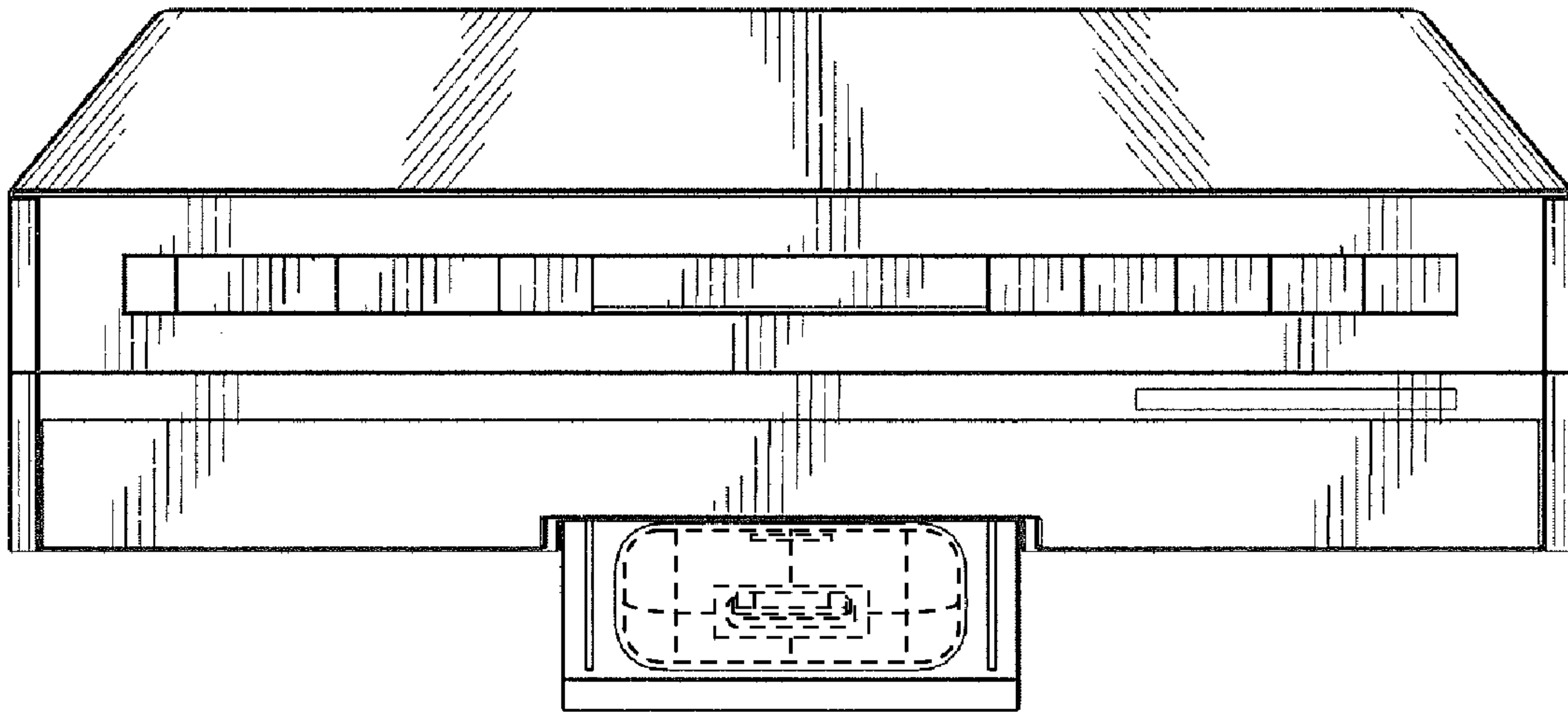


FIG. 6

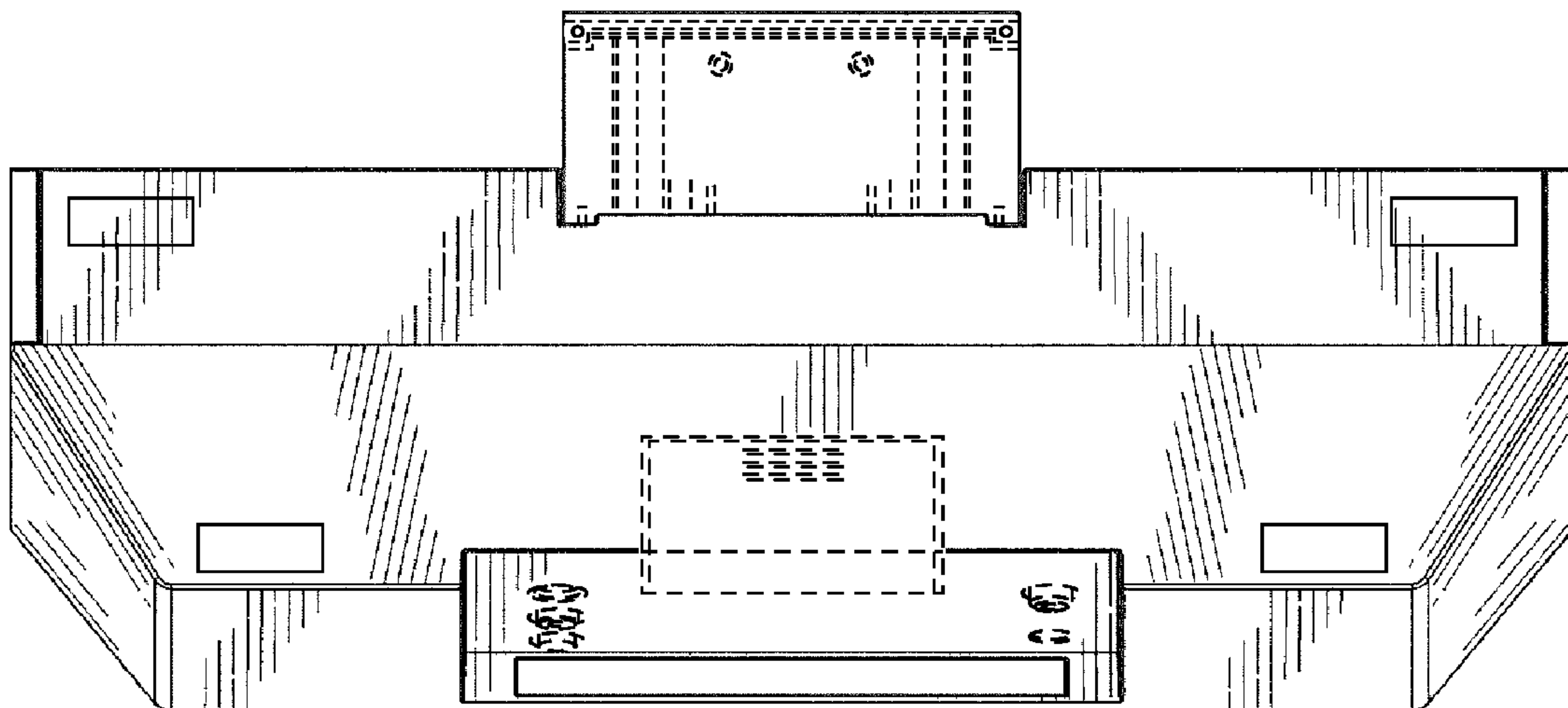


FIG. 7