



US00D621808S

(12) **United States Design Patent**  
**Kim**

(10) **Patent No.:** **US D621,808 S**  
(45) **Date of Patent:** **\*\* Aug. 17, 2010**

(54) **MOBILE PHONE**

(75) Inventor: **Hyun Chul Kim**, Gyeonggi-do (KR)

(73) Assignee: **LG Electronics Inc.**, Seoul (KR)

(\*\*) Term: **14 Years**

(21) Appl. No.: **29/337,047**

(22) Filed: **May 14, 2009**

(30) **Foreign Application Priority Data**

Mar. 10, 2009 (KR) ..... 30-2009-0010212

(51) **LOC (9) Cl.** ..... **14-03**

(52) **U.S. Cl.** ..... **D14/138 R**

(58) **Field of Classification Search** ..... D14/138 R,  
D14/138 AD, 138 AC, 138 C, 138 G, 191,  
D14/203.1–203.8, 496, 138 AA, 138 AB,  
D14/247–248, 137, 147, 218, 341–347; D10/65,  
D10/78, 104, 30, 31; D13/168; D18/7; 455/566,  
455/575.1, 575.3

See application file for complete search history.

(56) **References Cited**

**U.S. PATENT DOCUMENTS**

- D210,462 S \* 3/1968 Roberts et al. .... D14/155
- 5,235,560 A \* 8/1993 Seager ..... 368/10
- D342,740 S \* 12/1993 Parker ..... D14/218
- 5,274,613 A \* 12/1993 Seager ..... 368/13
- D353,778 S \* 12/1994 Hanagata ..... D10/31
- D353,786 S \* 12/1994 Milovanovic ..... D11/3
- D386,094 S \* 11/1997 Ventrella ..... D10/30
- D399,161 S \* 10/1998 Mougnot ..... D11/3
- D402,654 S \* 12/1998 Consolo ..... D14/144
- D404,319 S \* 1/1999 Deleskiewicz ..... D10/32
- D432,437 S \* 10/2000 Lassigne ..... D10/32
- D448,680 S \* 10/2001 Kubo ..... D10/30
- D460,430 S \* 7/2002 Wada et al. .... D14/138 R
- D466,487 S \* 12/2002 Wada et al. .... D14/138 R
- D466,488 S \* 12/2002 Wada et al. .... D14/138 R
- D466,879 S \* 12/2002 Wada et al. .... D14/138 R
- 6,707,764 B2 \* 3/2004 Davidson et al. .... 368/13
- D489,346 S \* 5/2004 Lowinger ..... D14/138 R

- D492,658 S \* 7/2004 Lowinger ..... D14/138 R
- D507,499 S \* 7/2005 Bulgari ..... D10/32
- D507,550 S \* 7/2005 Kim et al. .... D14/138 R
- D508,031 S \* 8/2005 Kim et al. .... D14/138 R
- D543,192 S \* 5/2007 Jung ..... D14/138 R
- D552,572 S \* 10/2007 Kim et al. .... D14/138 R
- 2005/0272486 A1 \* 12/2005 Kim et al. .... 455/575.3
- 2009/0176532 A1 \* 7/2009 Chae et al. .... 455/566

**OTHER PUBLICATIONS**

LG GD910, announced Jan. 2009, [online], [retrieved on Nov. 4, 2009]. Retrieved from Internet ,<URL: <http://www.gsmarena.com>>.\*

Samsung S9110, announced Jul. 2009, [online], [retrieved on Aug. 6, 2009]. Retrieved from Internet ,<URL: <http://www.gsmarena.com>>.\*

The Korea Times, Biz/Finance, Jan. 7, 2009, [http://www.koreatimes.co.kr/www/news/biz/2009/01/123\\_37502.html](http://www.koreatimes.co.kr/www/news/biz/2009/01/123_37502.html).

\* cited by examiner

*Primary Examiner*—Jeffrey D Asch

*Assistant Examiner*—Bridget L Eland

(74) *Attorney, Agent, or Firm*—Birch, Stewart, Kolasch & Birch, LLP

(57) **CLAIM**

The ornamental design for a mobile phone, as shown and described.

**DESCRIPTION**

FIG. 1 is a perspective view of a mobile phone showing my new design;

FIG. 2 is a front view thereof where the rear view is a mirror image;

FIG. 3 is a left side view thereof;

FIG. 4 is a right side view thereof;

FIG. 5 is a top plan view thereof;

FIG. 6 is a bottom plan view thereof; and,

FIG. 7 is a top plan view thereof showing the state of operating.

**1 Claim, 7 Drawing Sheets**

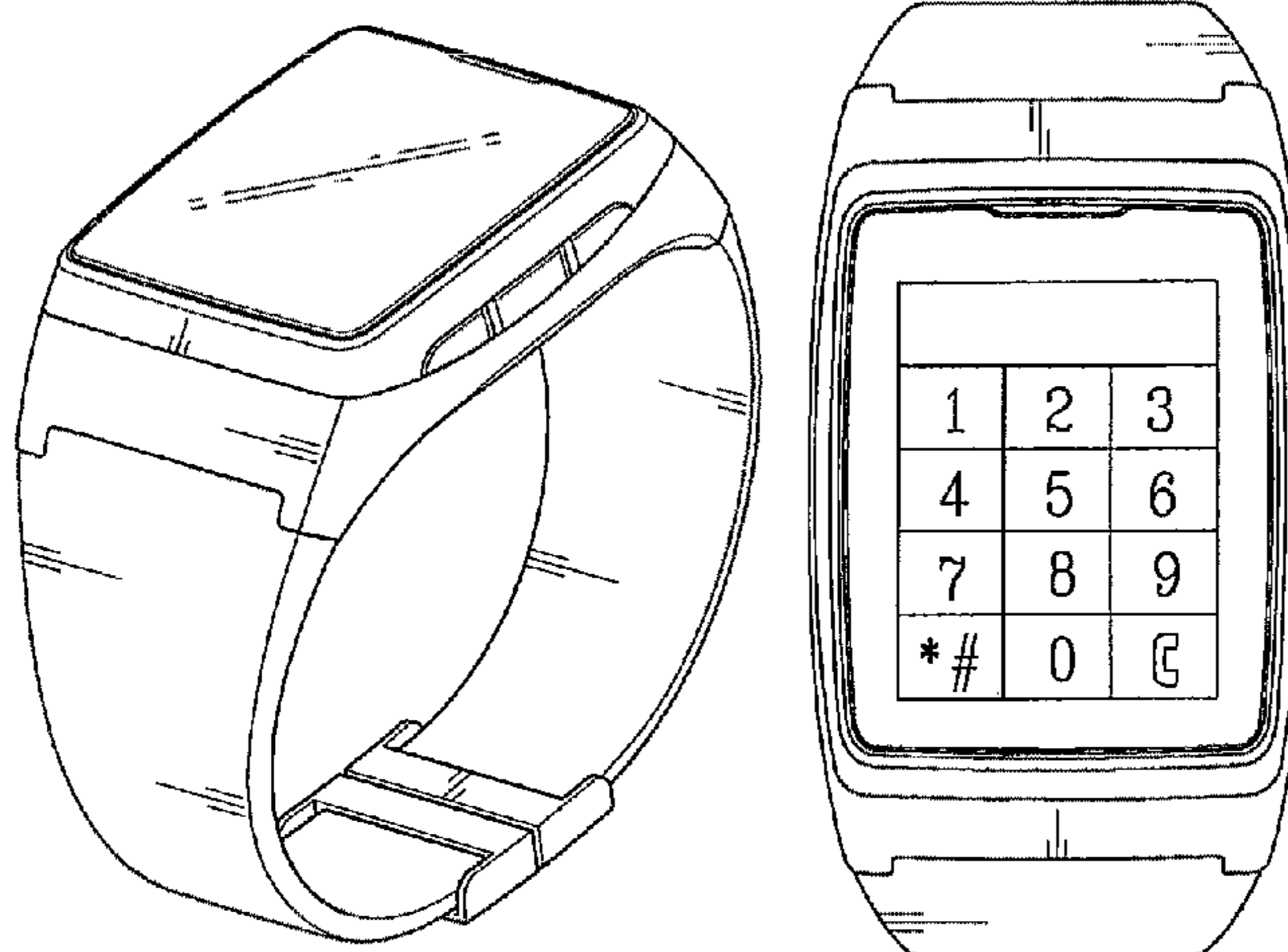


FIG. 1

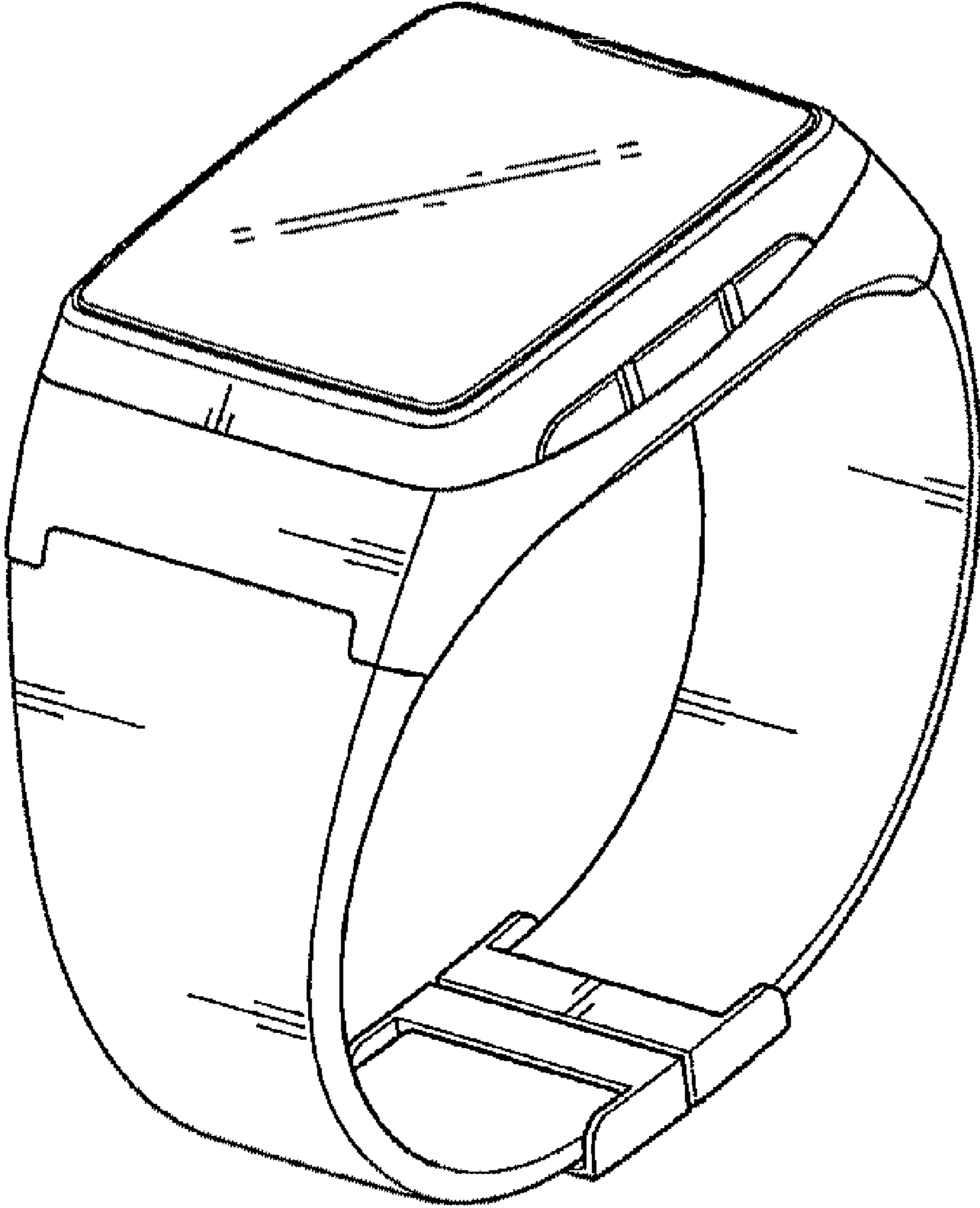


FIG. 2

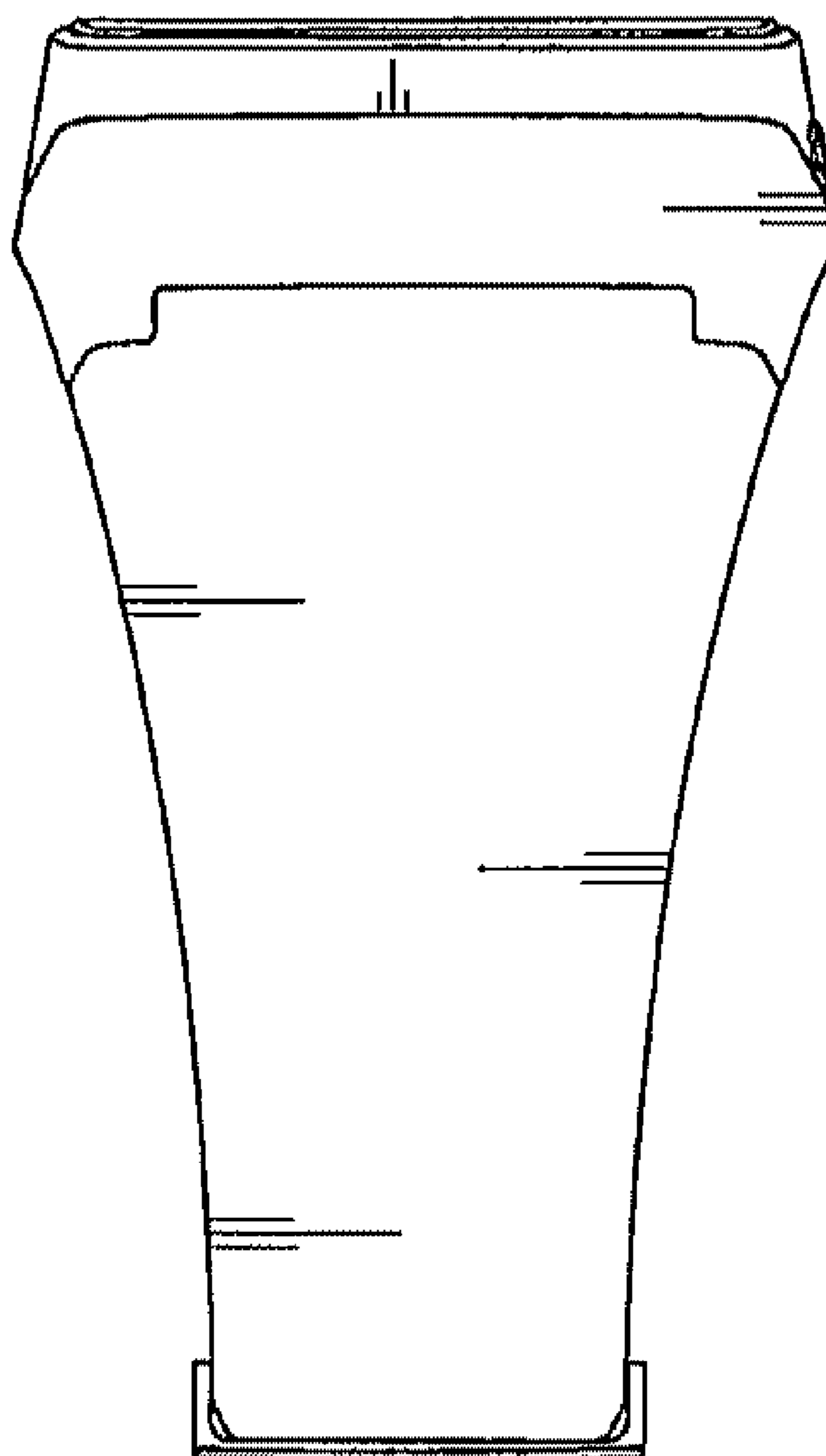


FIG. 3

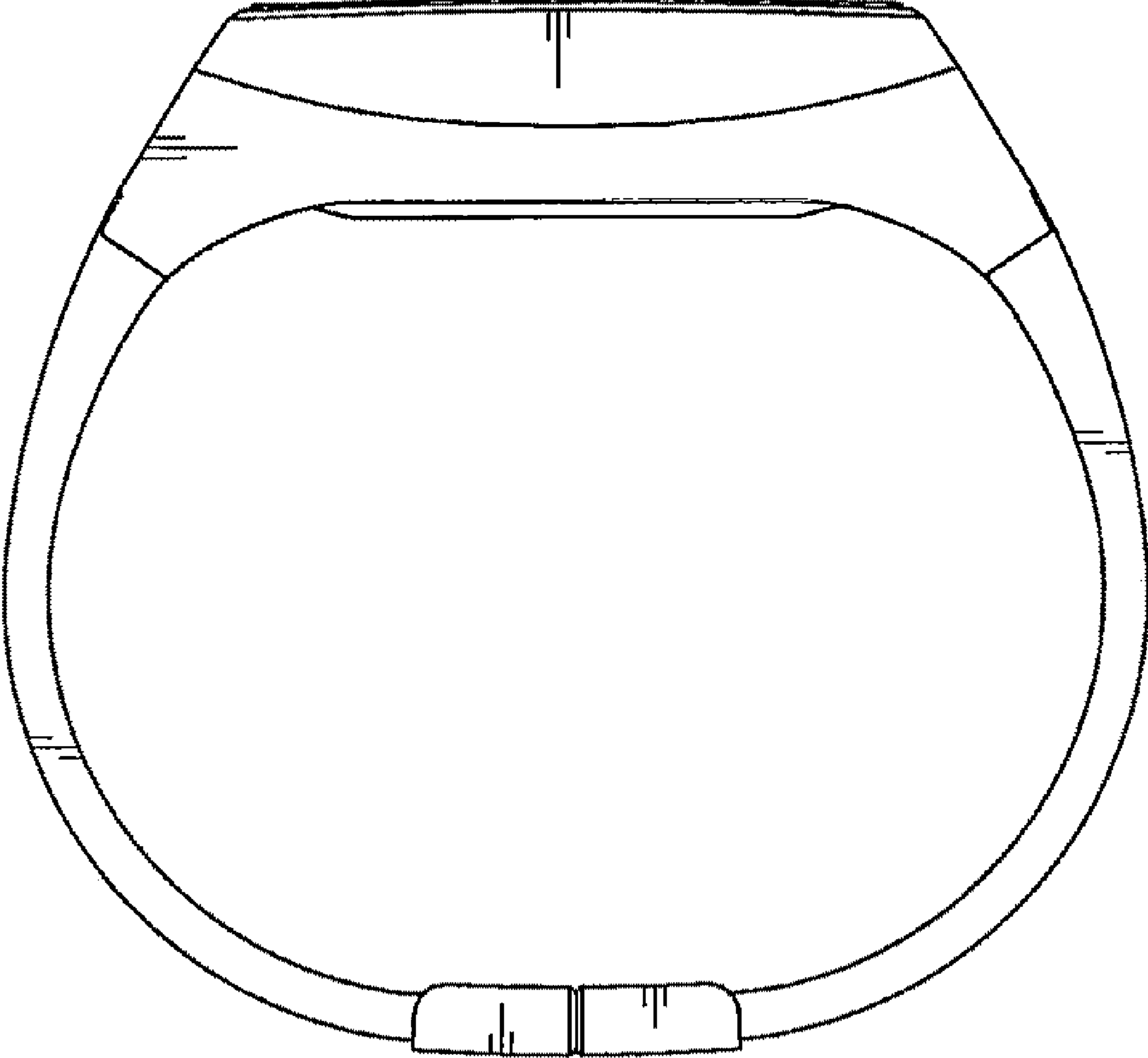


FIG. 4

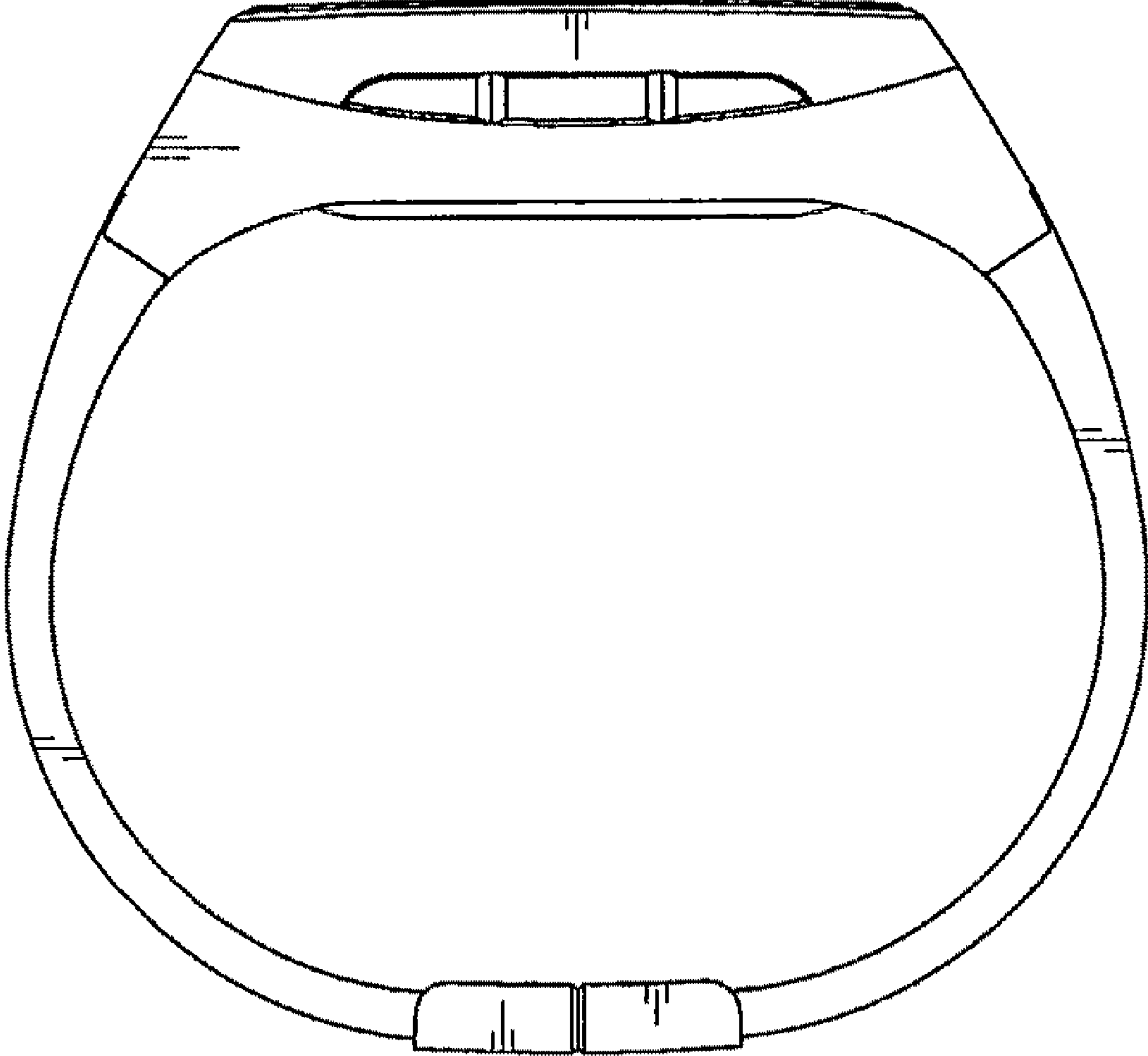


FIG. 5

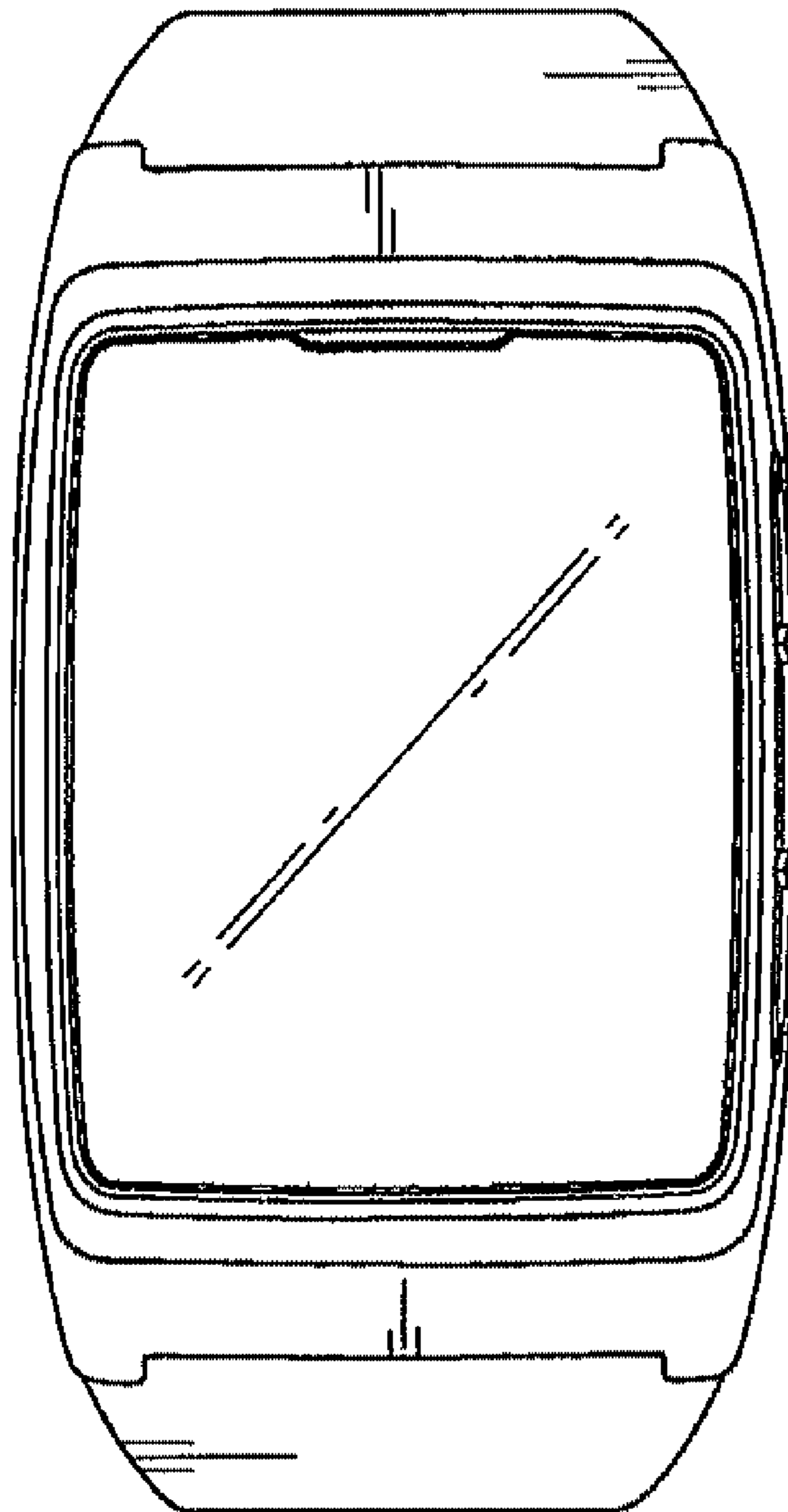


FIG. 6

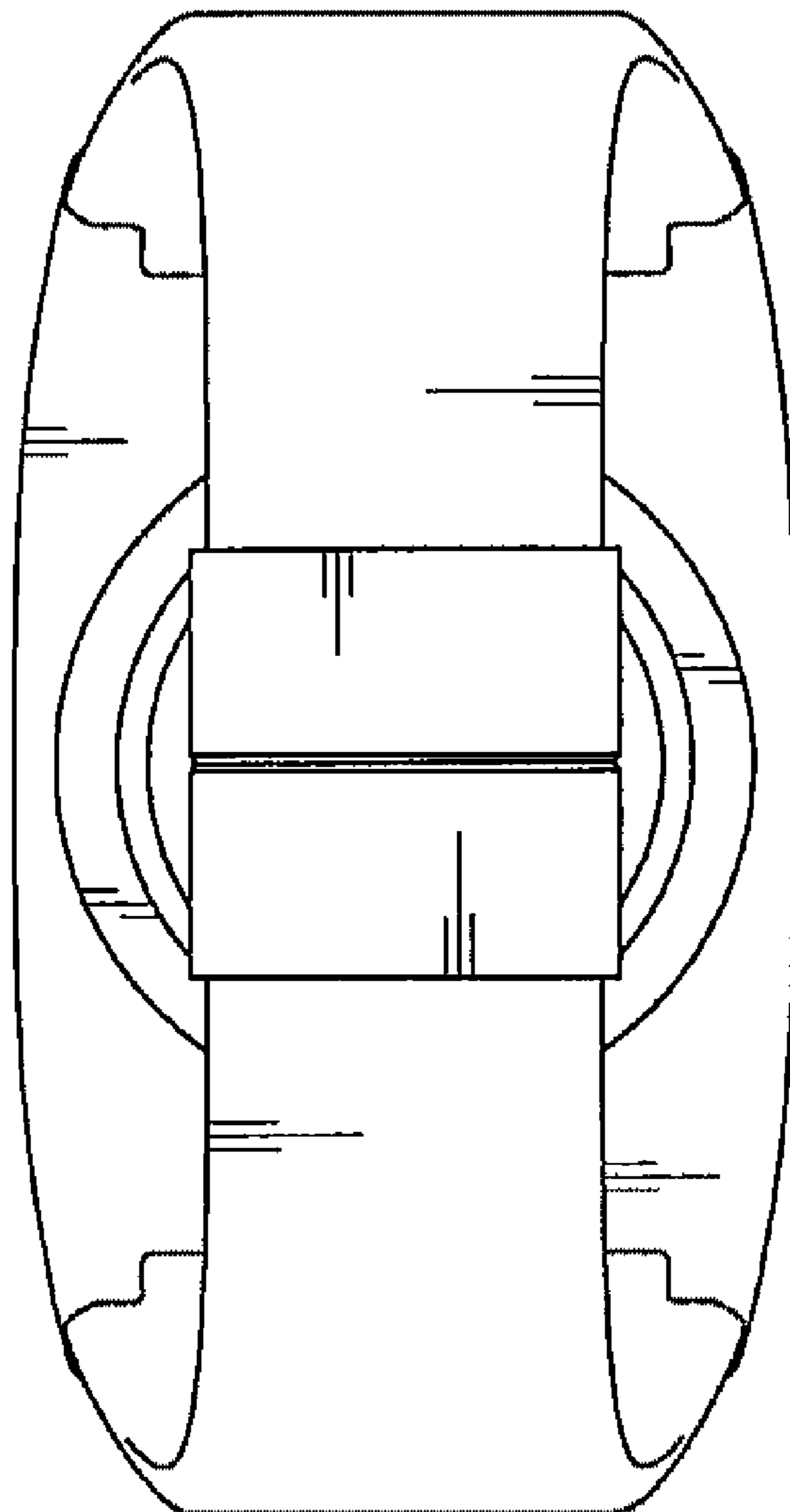




FIG. 7

