

US00D621806S

(12) **United States Design Patent**  
**Nagase**

(10) **Patent No.:** **US D621,806 S**

(45) **Date of Patent:** **\*\* Aug. 17, 2010**

(54) **TELEVISION RECEIVER**

D593,974 S \* 6/2009 Yang et al. .... D14/126  
D605,146 S \* 12/2009 Kim et al. .... D14/126

(75) Inventor: **Koji Nagase**, Tokyo (JP)

**FOREIGN PATENT DOCUMENTS**

(73) Assignee: **Kabushiki Kaisha Toshiba** (JP)

CN	300684474	8/2007
CN	300696080	10/2007
CN	300879217	1/2009
JP	1240855	5/2005
JP	1246675	8/2005
JP	1339167	9/2008

(\*\*) Term: **14 Years**

(21) Appl. No.: **29/357,513**

(22) Filed: **Mar. 12, 2010**

\* cited by examiner

(30) **Foreign Application Priority Data**

*Primary Examiner*—Raphael Barkai

Dec. 10, 2009 (JP) ..... 2009-028758

(74) *Attorney, Agent, or Firm*—Banner & Witcoff, Ltd.

(51) **LOC (9) Cl.** ..... **14-03**

(57) **CLAIM**

(52) **U.S. Cl.** ..... **D14/126**

The ornamental design for a television receiver, as shown and described.

(58) **Field of Classification Search** ..... D14/125–134,  
D14/239, 371, 136, 374–377, 440, 450, 448,  
D14/336, 342; 312/7.2; 348/836, 838, 180,  
348/184, 325, 739; 341/12; 248/917–924,  
248/465; 345/104, 133, 156, 168, 87, 173;  
720/605, 669, 600, 655; 369/99, 197; 455/344,  
455/347; D21/329, 515, 577, 622, 333, 433,  
D21/448, 452, 450, 331; D6/477, 479, 300;  
273/148 B; 446/484, 175, 356; D10/15,  
D10/26

**DESCRIPTION**

See application file for complete search history.

FIG. 1 is a front perspective view of a television receiver showing my new design,  
FIG. 2 is a rear perspective view thereof,  
FIG. 3 is a front elevational view thereof,  
FIG. 4 is a left side elevational view thereof,  
FIG. 5 is a right side elevational view thereof,  
FIG. 6 is a top plan view thereof,  
FIG. 7 is a bottom plan view thereof; and,  
FIG. 8 is a rear elevational view thereof.

(56) **References Cited**

**U.S. PATENT DOCUMENTS**

D567,200 S \* 4/2008 Rieu Piquet ..... D14/126  
D581,888 S \* 12/2008 Isshiki ..... D14/126

**1 Claim, 3 Drawing Sheets**

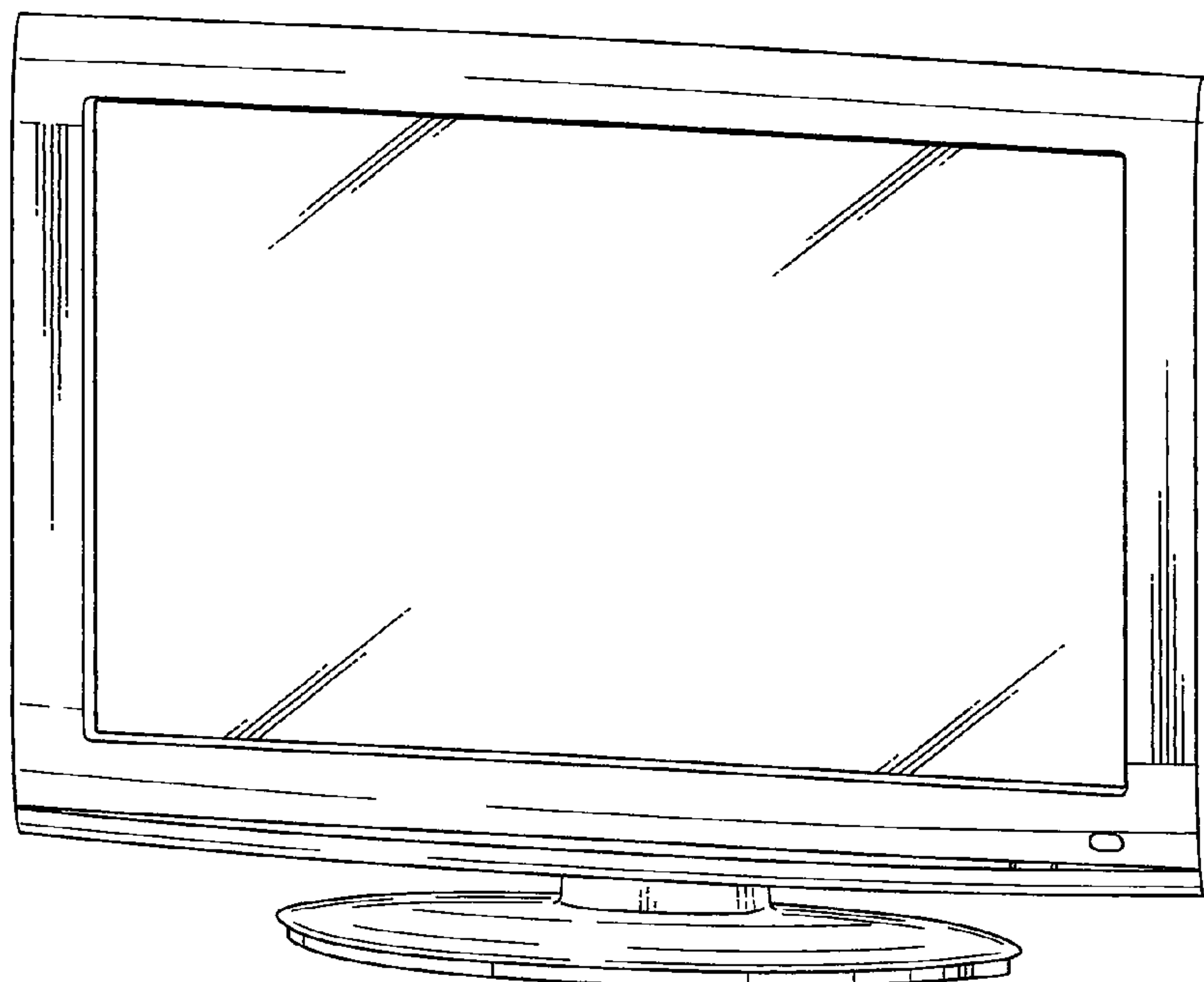


FIG.1

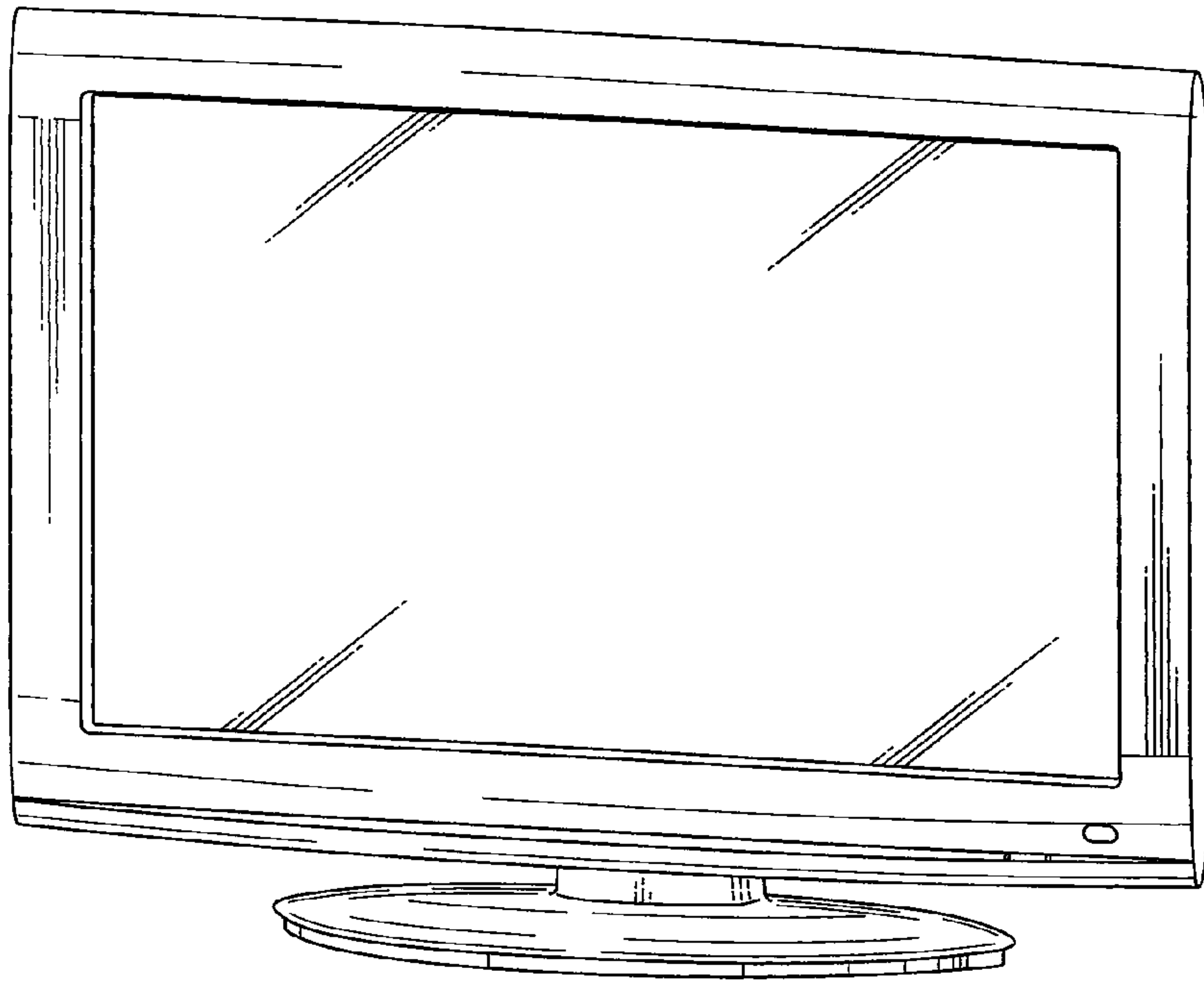


FIG.2

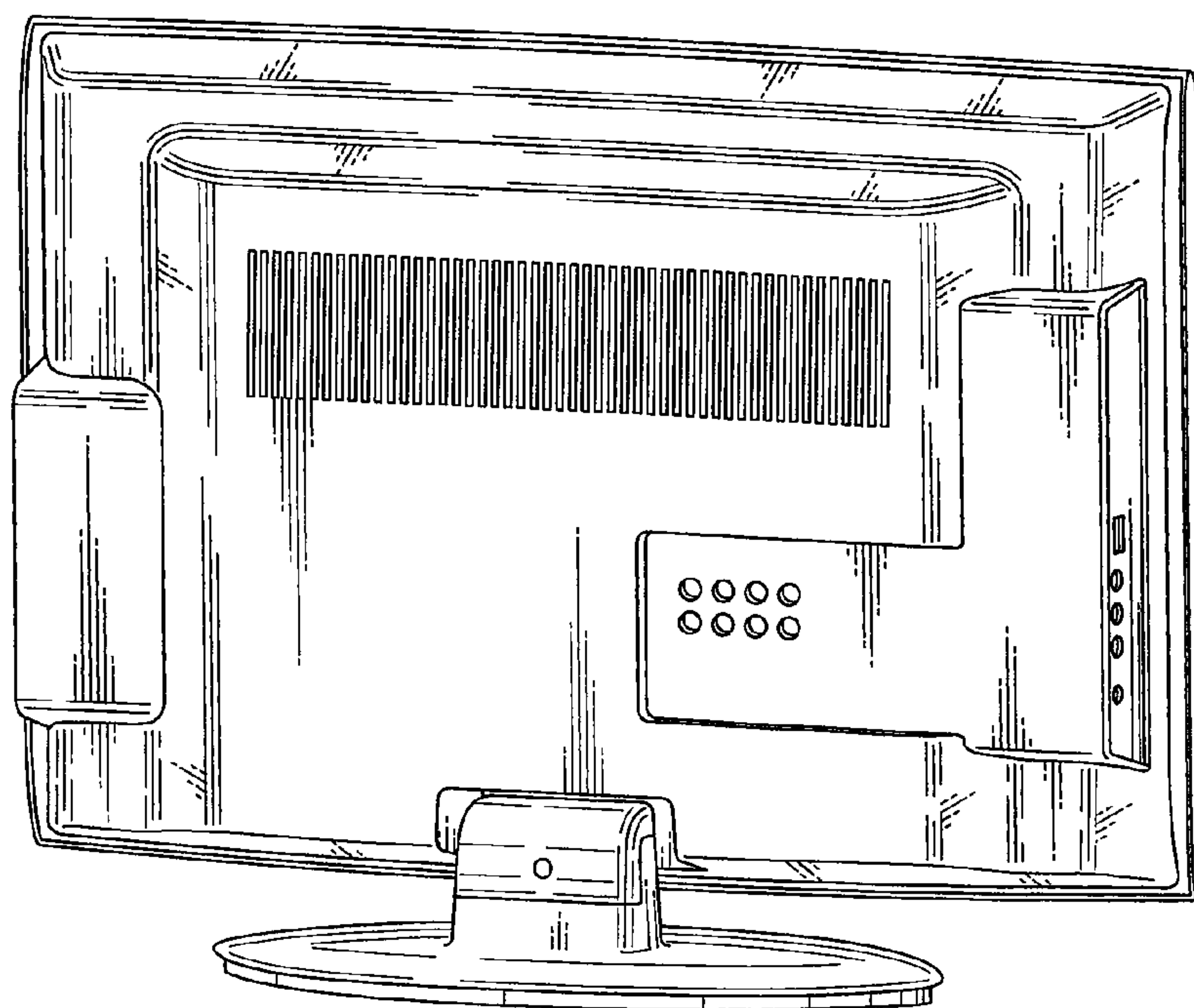


FIG.3

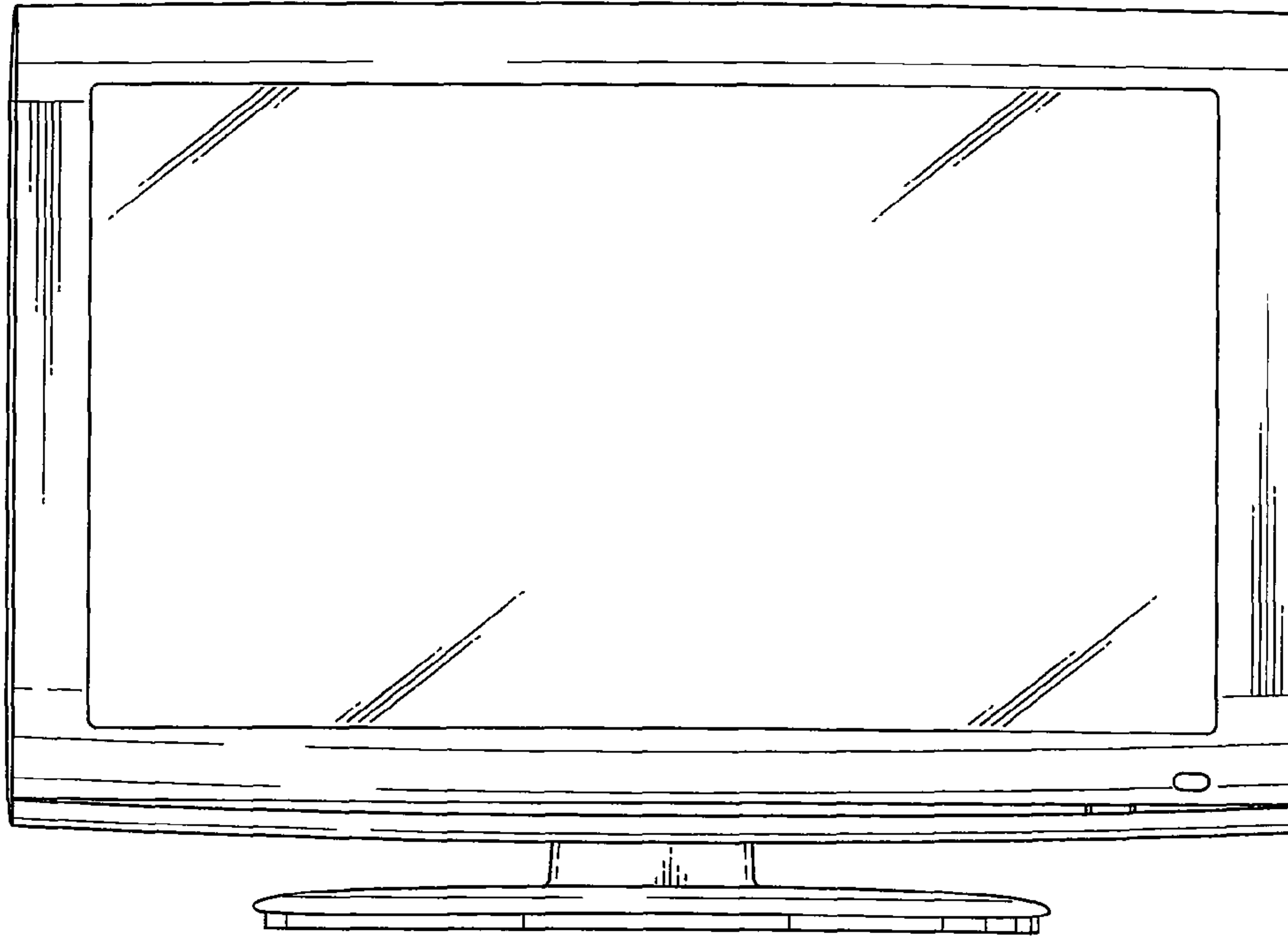


FIG.4

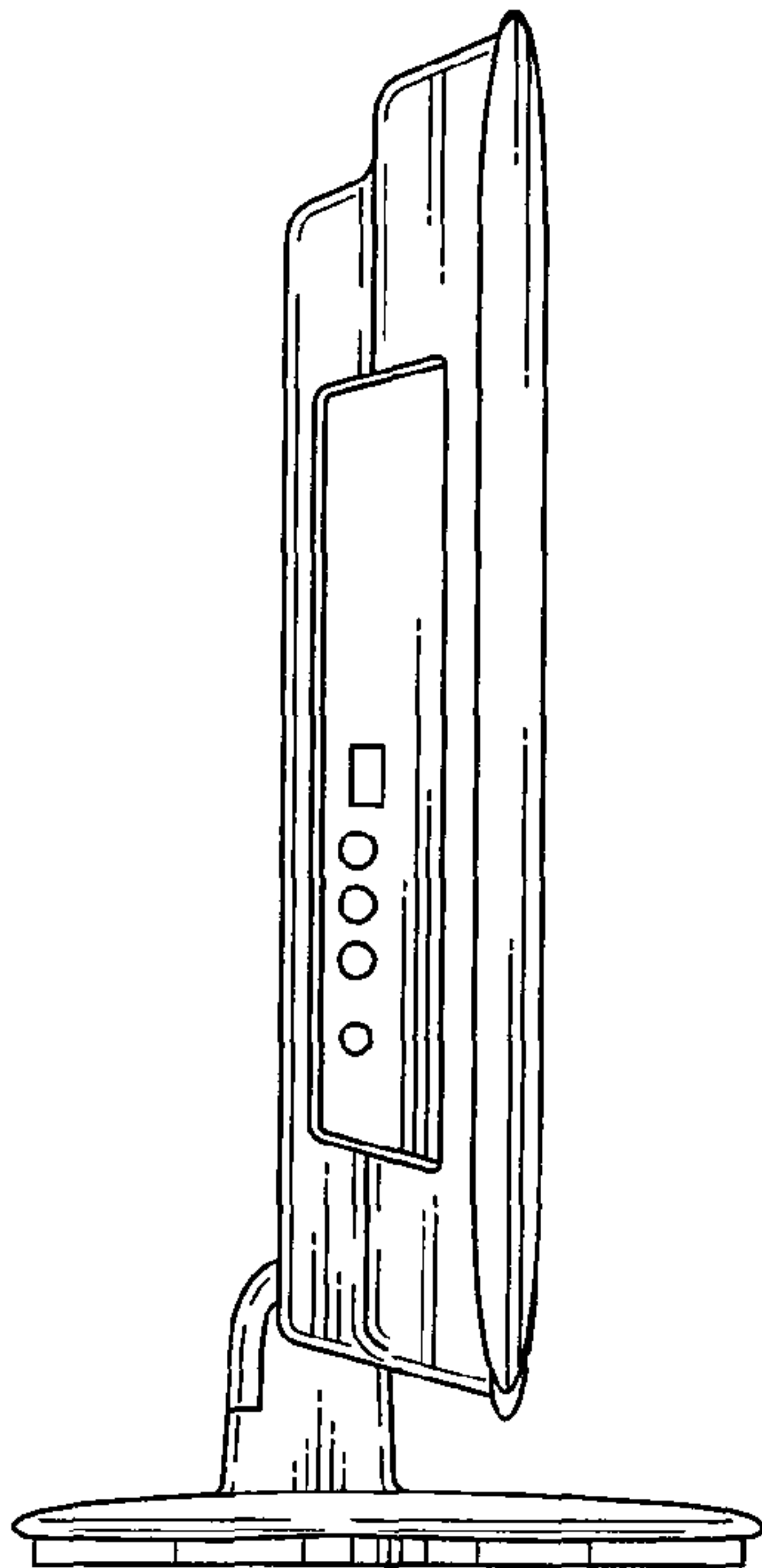


FIG.5

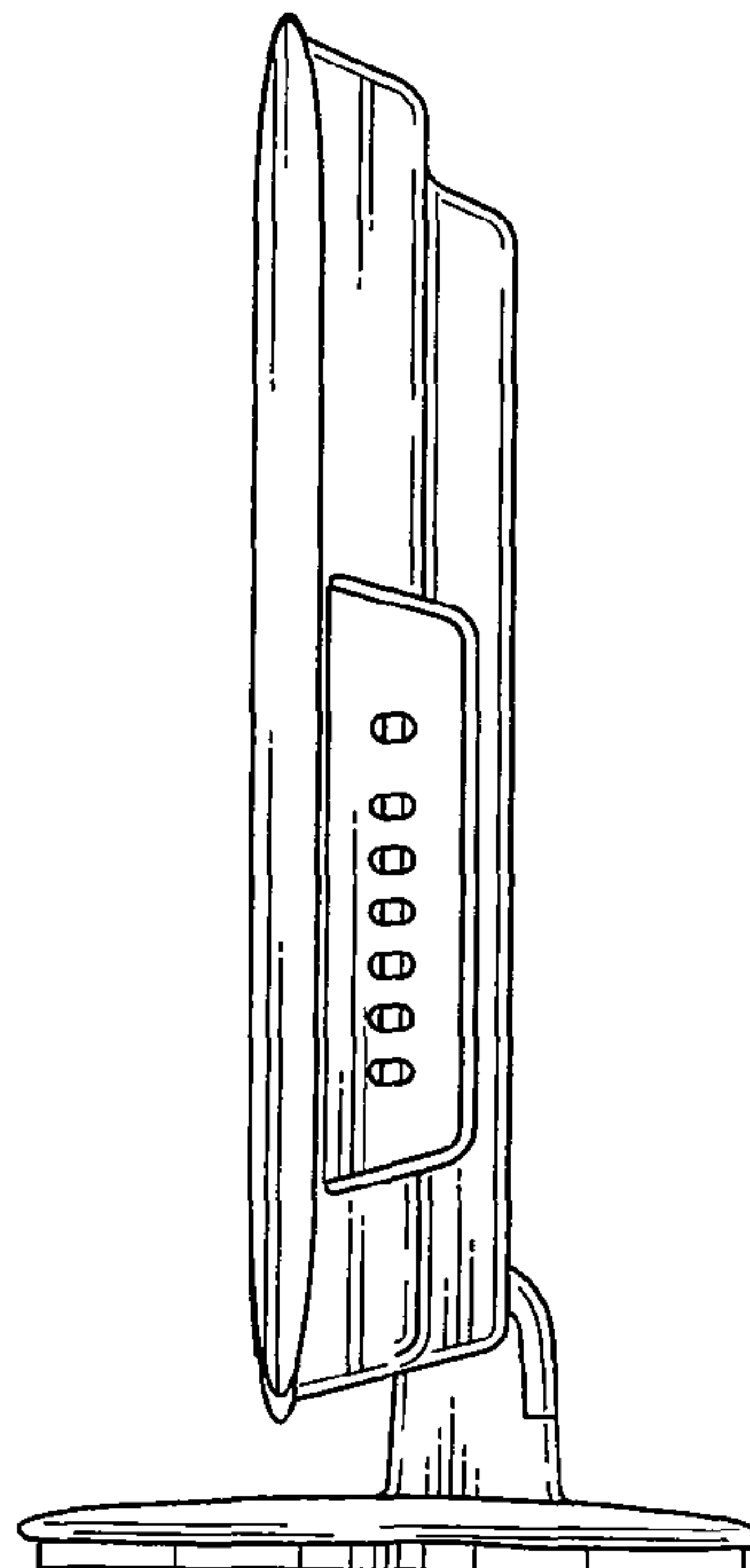


FIG.6

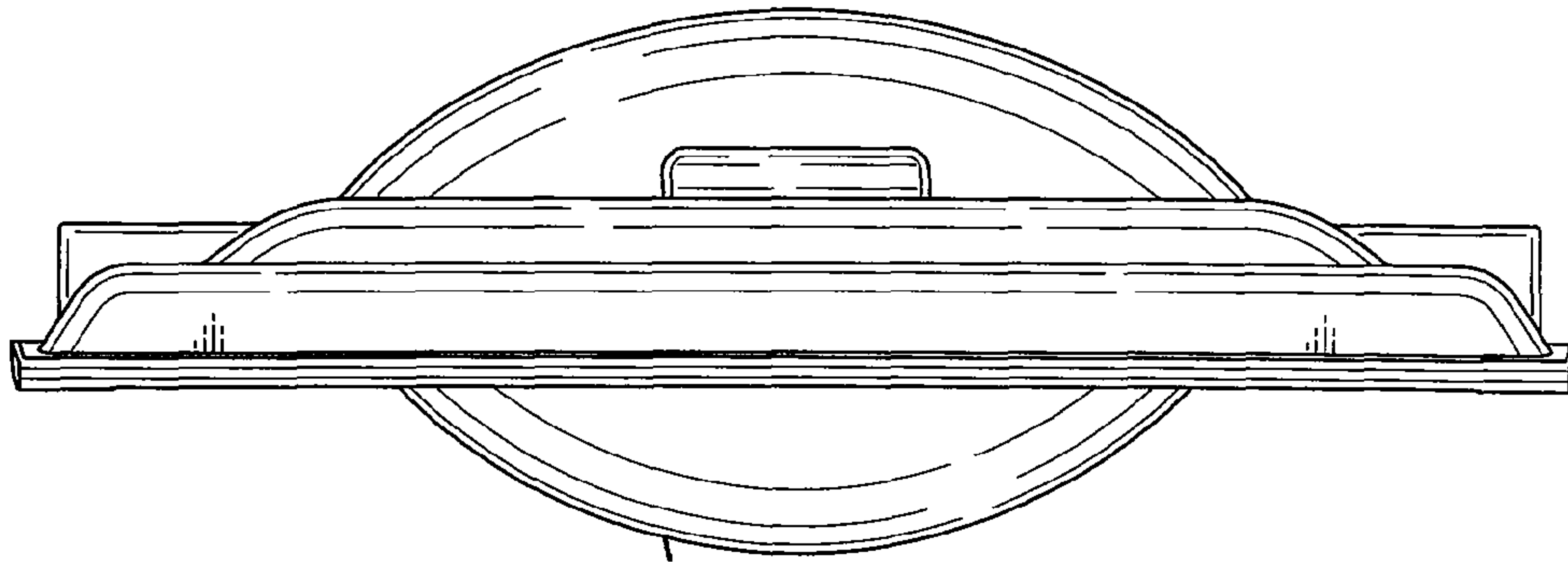


FIG.7

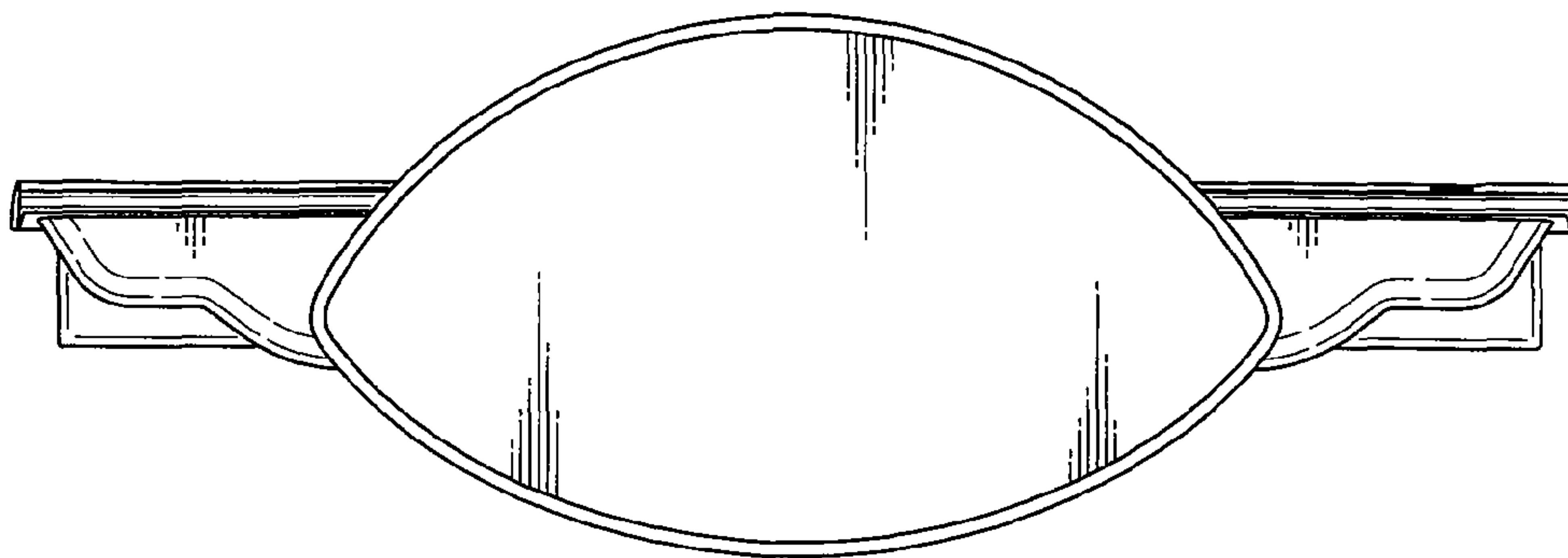


FIG.8

