



US00D621801S

(12) **United States Design Patent**
Hsieh

(10) **Patent No.:** **US D621,801 S**

(45) **Date of Patent:** **** Aug. 17, 2010**

(54) **LIGHT-EMITTING DIODE DEVICE**

FOREIGN PATENT DOCUMENTS

(75) Inventor: **Chung-Chuan Hsieh**, Taipei (TW)

JP D1323249 3/2008

(73) Assignee: **Everlight Electronics Co., Ltd.**, Taipei (TW)

KR 300437750000 1/2007

(**) Term: **14 Years**

TW 488838 5/2002

(21) Appl. No.: **29/331,206**

TW 531277 5/2003

(22) Filed: **Jan. 21, 2009**

TW 575346 2/2004

(30) **Foreign Application Priority Data**

TW 577707 2/2004

TW D119728 11/2007

Dec. 12, 2008 (TW) 97307027

* cited by examiner

Primary Examiner—Selina Sikder

(74) *Attorney, Agent, or Firm*—Quintero Law Office

(51) **LOC (9) Cl.** **13-03**

(52) **U.S. Cl.** **D13/180**

(58) **Field of Classification Search** D13/180;
D26/2; 257/79, 80, 81, 88, 89, 95, 98, 99,
257/100; 313/483, 498, 500; 362/555, 800
See application file for complete search history.

(57) **CLAIM**

The ornamental design for light-emitting diode device, as shown and described.

(56) **References Cited**

U.S. PATENT DOCUMENTS

D482,337 S 11/2003 Kamada
D494,550 S * 8/2004 Hoshiba D13/180
D495,304 S * 8/2004 Kim et al. D13/180
D508,233 S * 8/2005 Kasae et al. D13/180
D570,798 S * 6/2008 Shih D13/180
D595,245 S * 6/2009 Kim et al. D13/180

DESCRIPTION

FIG. 1 is a front perspective view thereof;

FIG. 2 is a front view thereof;

FIG. 3 is a rear view thereof;

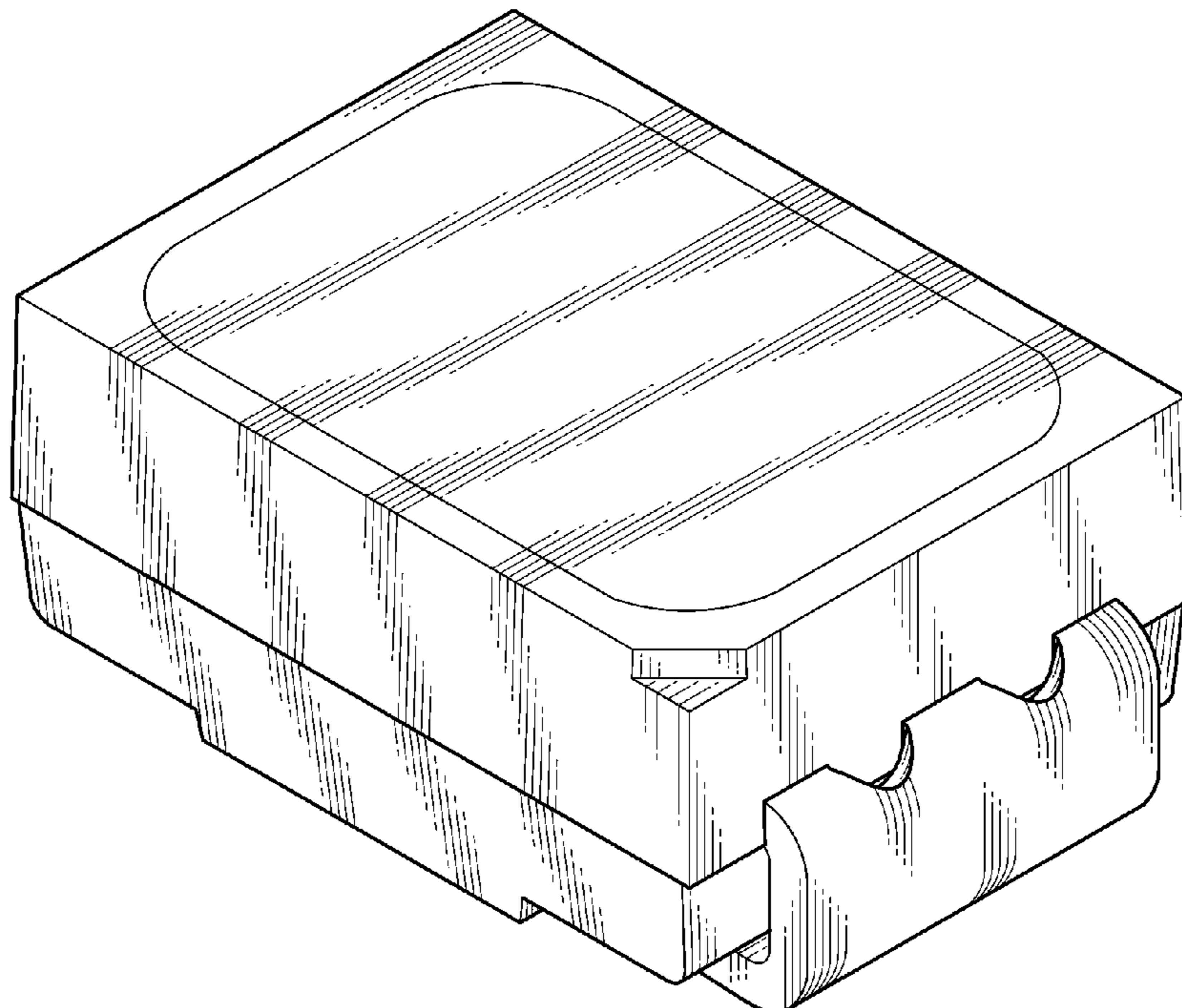
FIG. 4 is a left side view thereof;

FIG. 5 is a right side view thereof;

FIG. 6 is a top plan view thereof; and,

FIG. 7 is a bottom plan view thereof wherein the broken lines are shown for illustrative purpose only and forms no part of the claimed design.

1 Claim, 7 Drawing Sheets



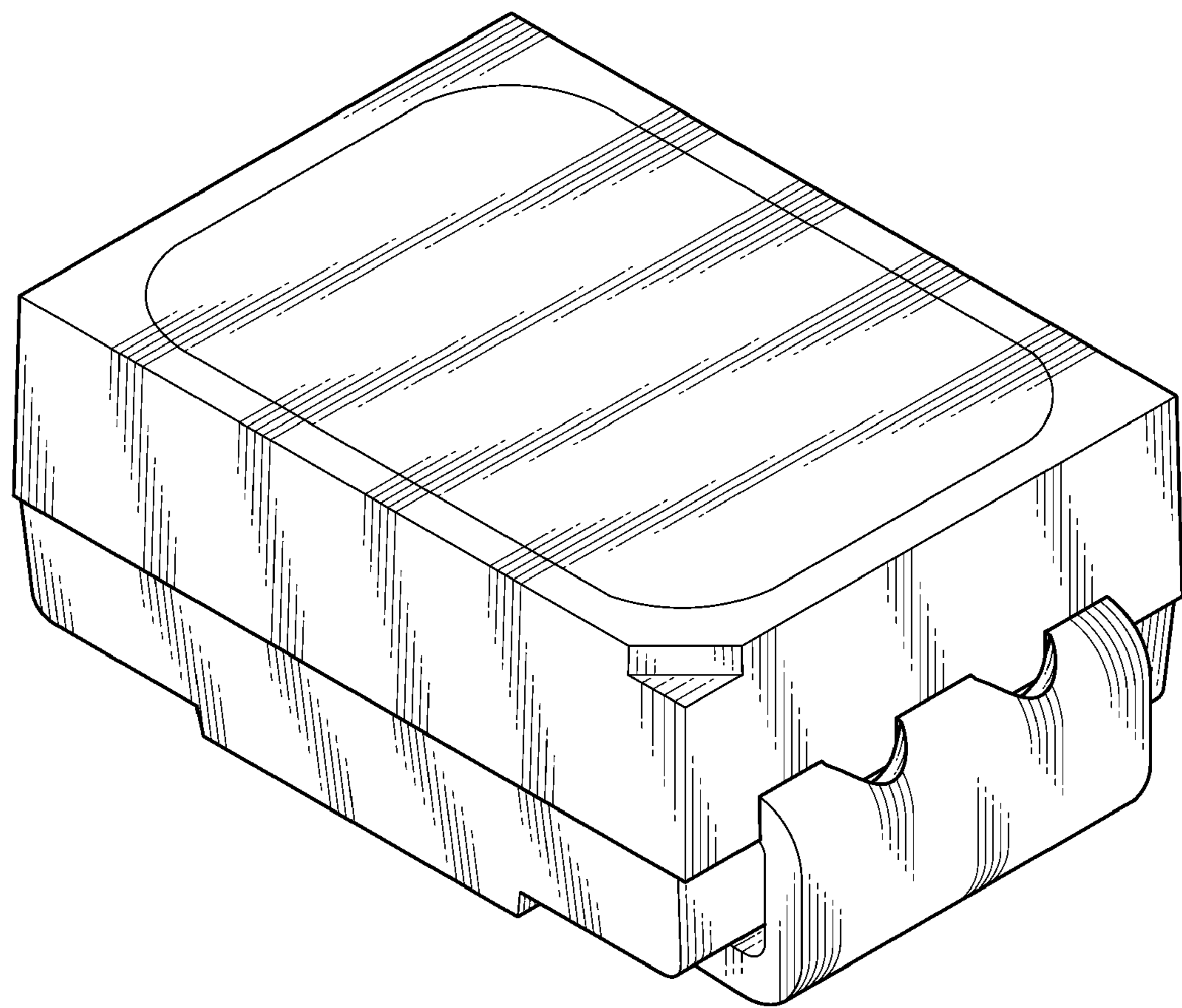


FIG. 1

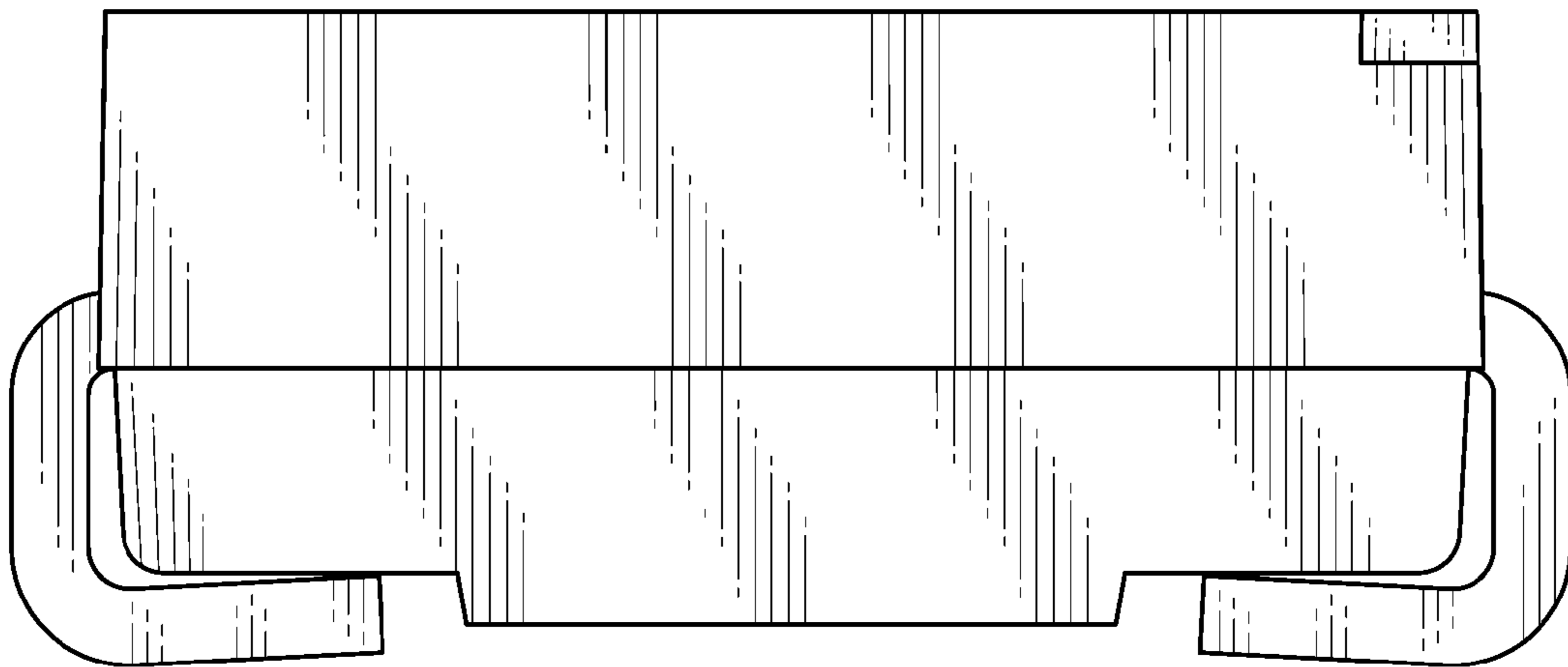


FIG. 2

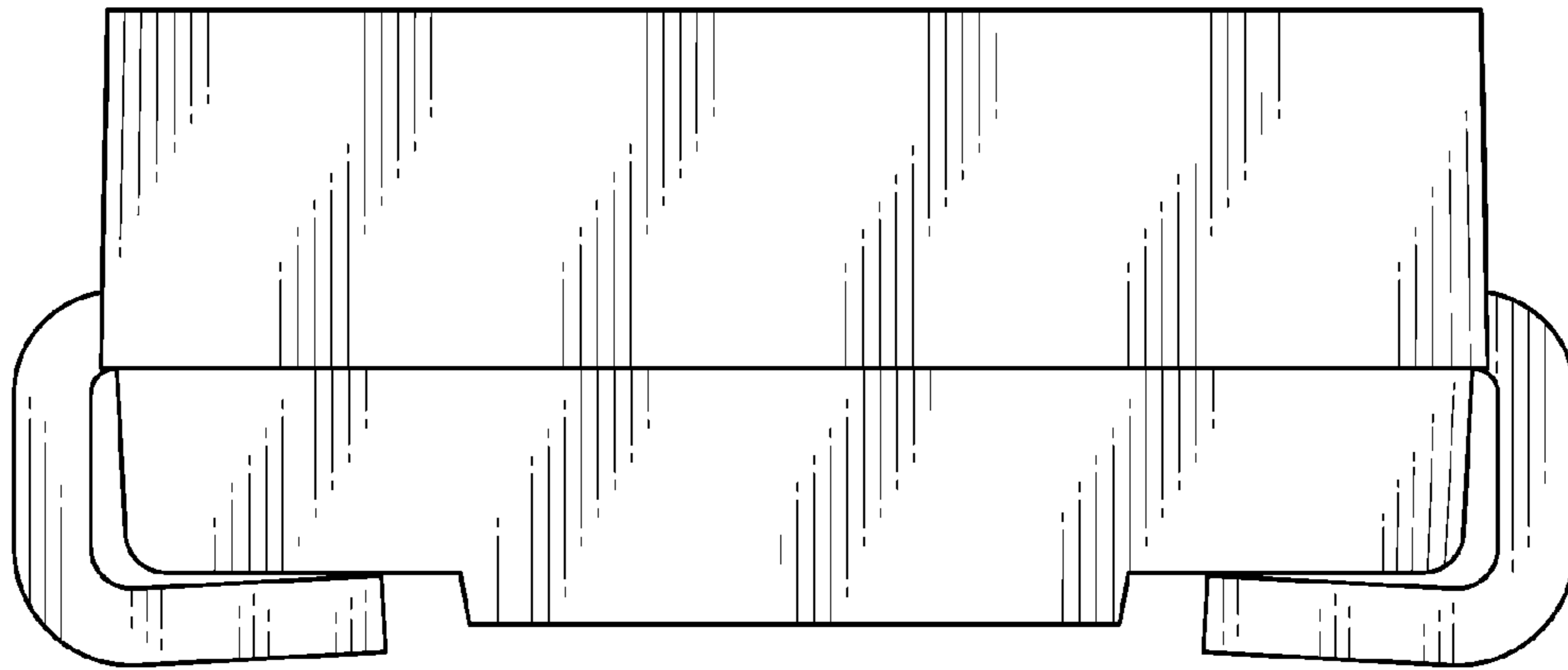


FIG. 3

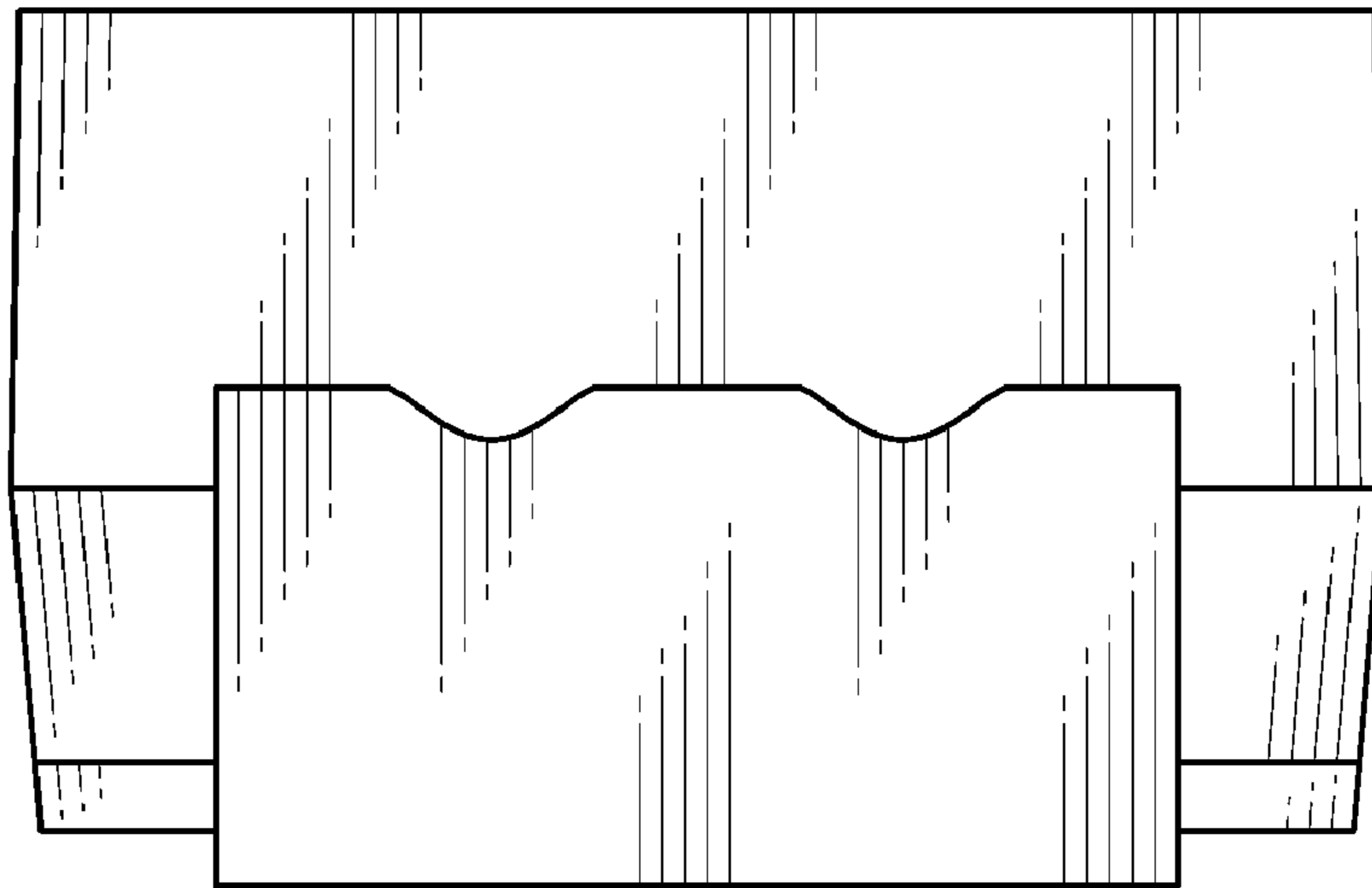


FIG. 4

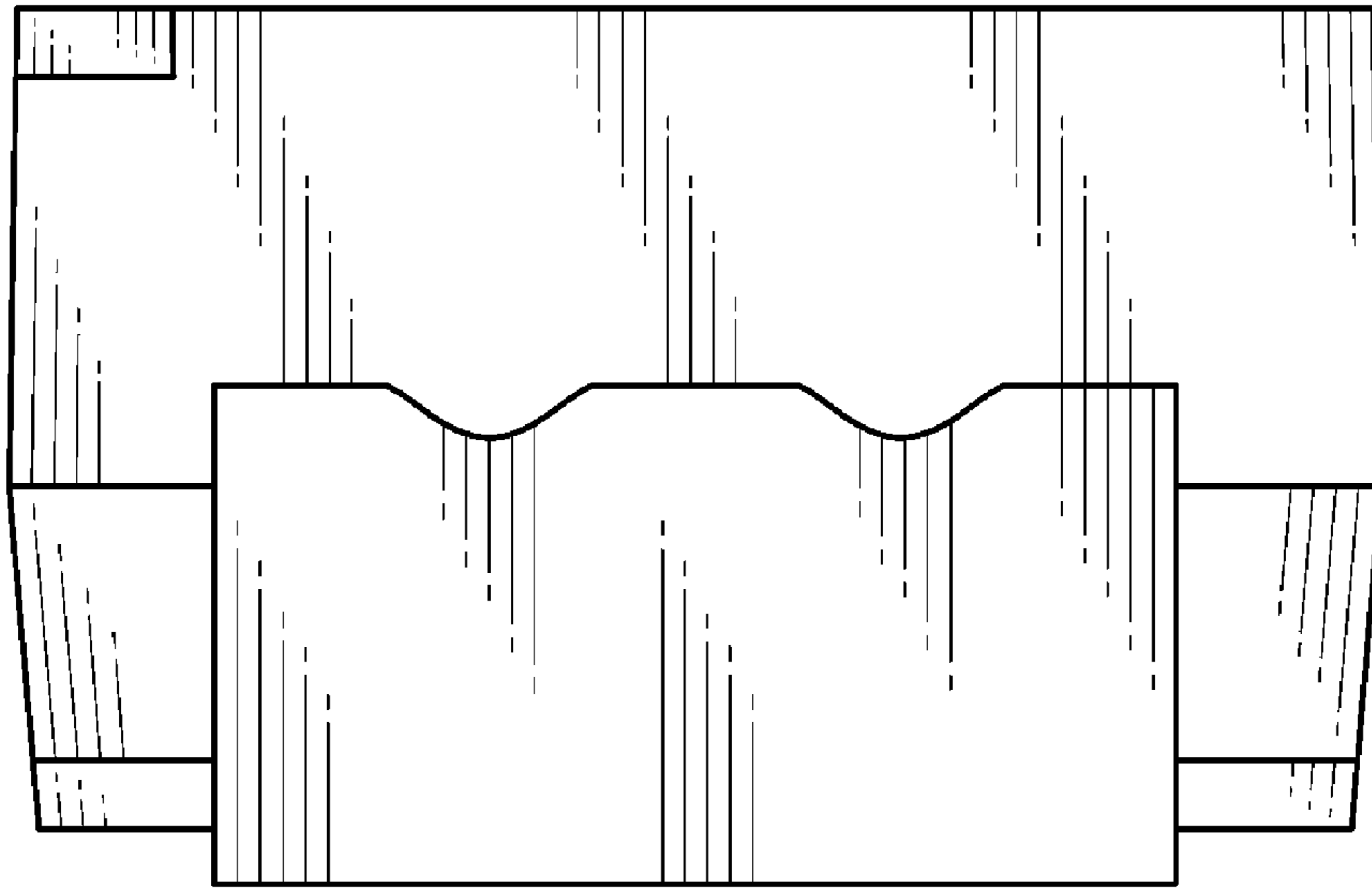


FIG. 5

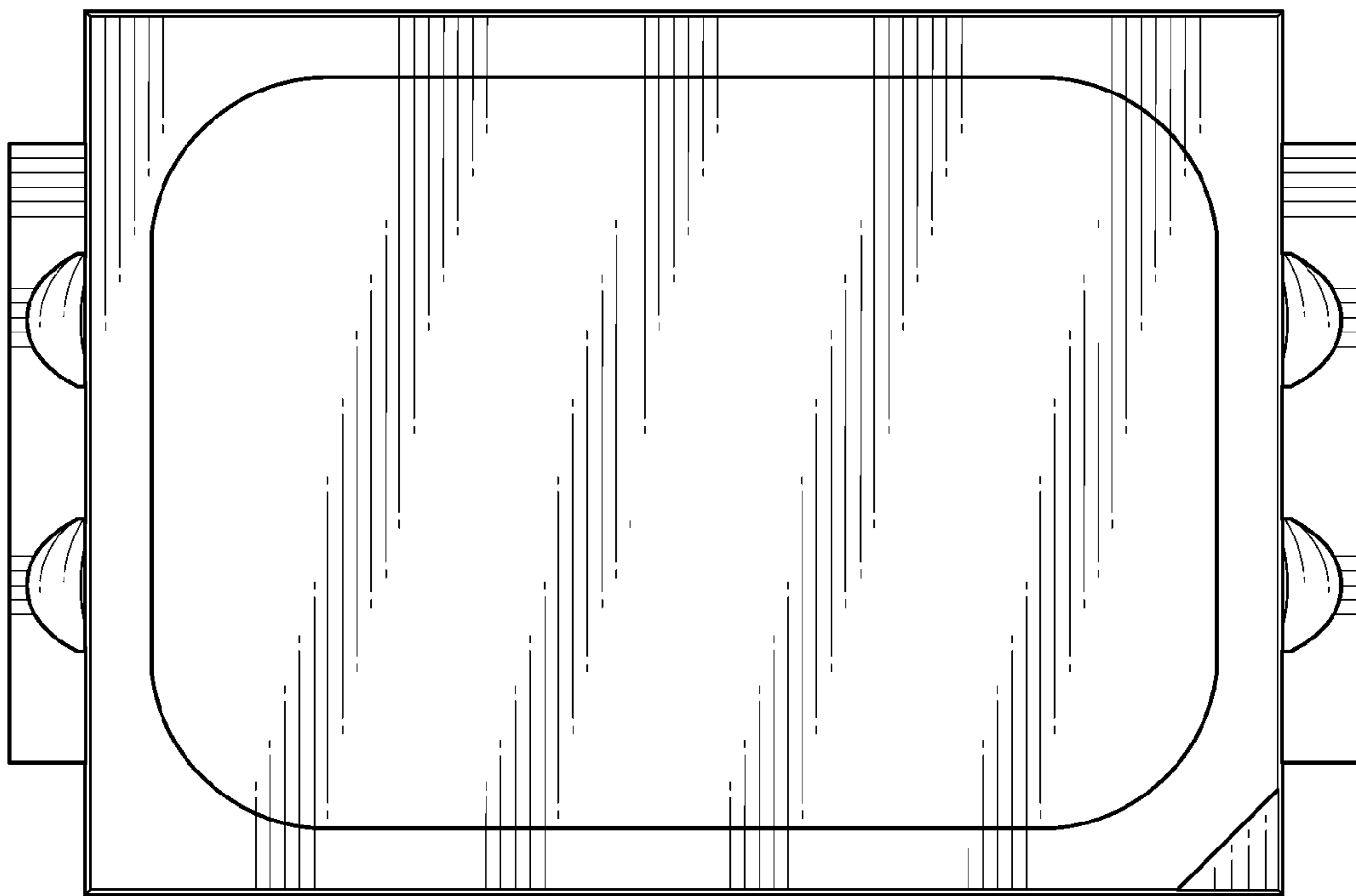


FIG. 6

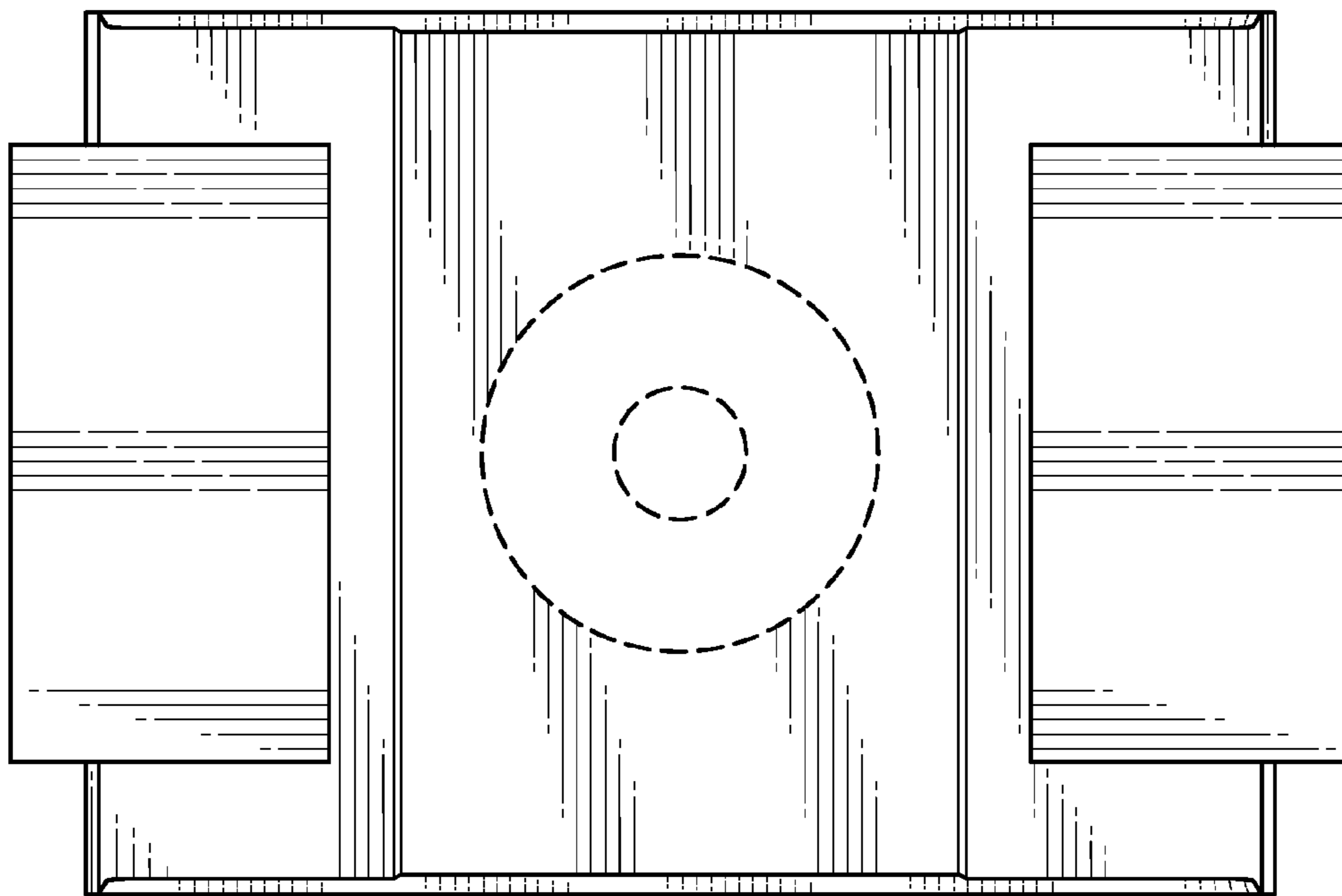


FIG. 7