



US00D621800S

(12) **United States Design Patent**  
**Hsieh**

(10) **Patent No.:** **US D621,800 S**

(45) **Date of Patent:** **\*\* Aug. 17, 2010**

(54) **LIGHT-EMITTING DIODE DEVICE**

2007/0241361 A1\* 10/2007 Oishi et al. .... 257/99

(75) Inventor: **Chung-Chuan Hsieh**, Taipei (TW)

**FOREIGN PATENT DOCUMENTS**

(73) Assignee: **Everlight Electronics Co., Ltd.**, Taipei (TW)

KR	300364183000	10/2004
KR	300376598000	6/2005
KR	300434901000	12/2006
KR	300468823000	11/2007
KR	300468823000	1/2008
TW	575352	2/2004
TW	584491	4/2004
TW	584492	4/2004

(\*\*) Term: **14 Years**

(21) Appl. No.: **29/331,203**

\* cited by examiner

(22) Filed: **Jan. 21, 2009**

(30) **Foreign Application Priority Data**

*Primary Examiner*—Selina Sikder

(74) *Attorney, Agent, or Firm*—Quintero Law Office

Dec. 12, 2008 (TW) ..... 97307029

(51) **LOC (9) Cl.** ..... **13-03**

(52) **U.S. Cl.** ..... **D13/180**

(58) **Field of Classification Search** ..... D13/180;  
D26/2; 257/79, 80, 81, 88, 89, 95, 98, 99,  
257/100; 313/483, 498, 500; 362/555, 800  
See application file for complete search history.

(57) **CLAIM**

The ornamental design for light-emitting diode device, as shown and described.

(56) **References Cited**

**DESCRIPTION**

**U.S. PATENT DOCUMENTS**

6,483,623	B1 *	11/2002	Maruyama	.....	398/182
D491,899	S *	6/2004	Yagi	.....	D13/180
6,946,714	B2 *	9/2005	Waitl et al.	.....	257/434
D512,694	S *	12/2005	Kim et al.	.....	D13/180
D574,336	S *	8/2008	Okada et al.	.....	D13/180
D586,302	S *	2/2009	Kim et al.	.....	D13/180

FIG. 1 is a front perspective view thereof;

FIG. 2 is a front side view thereof;

FIG. 3 is a rear side view thereof;

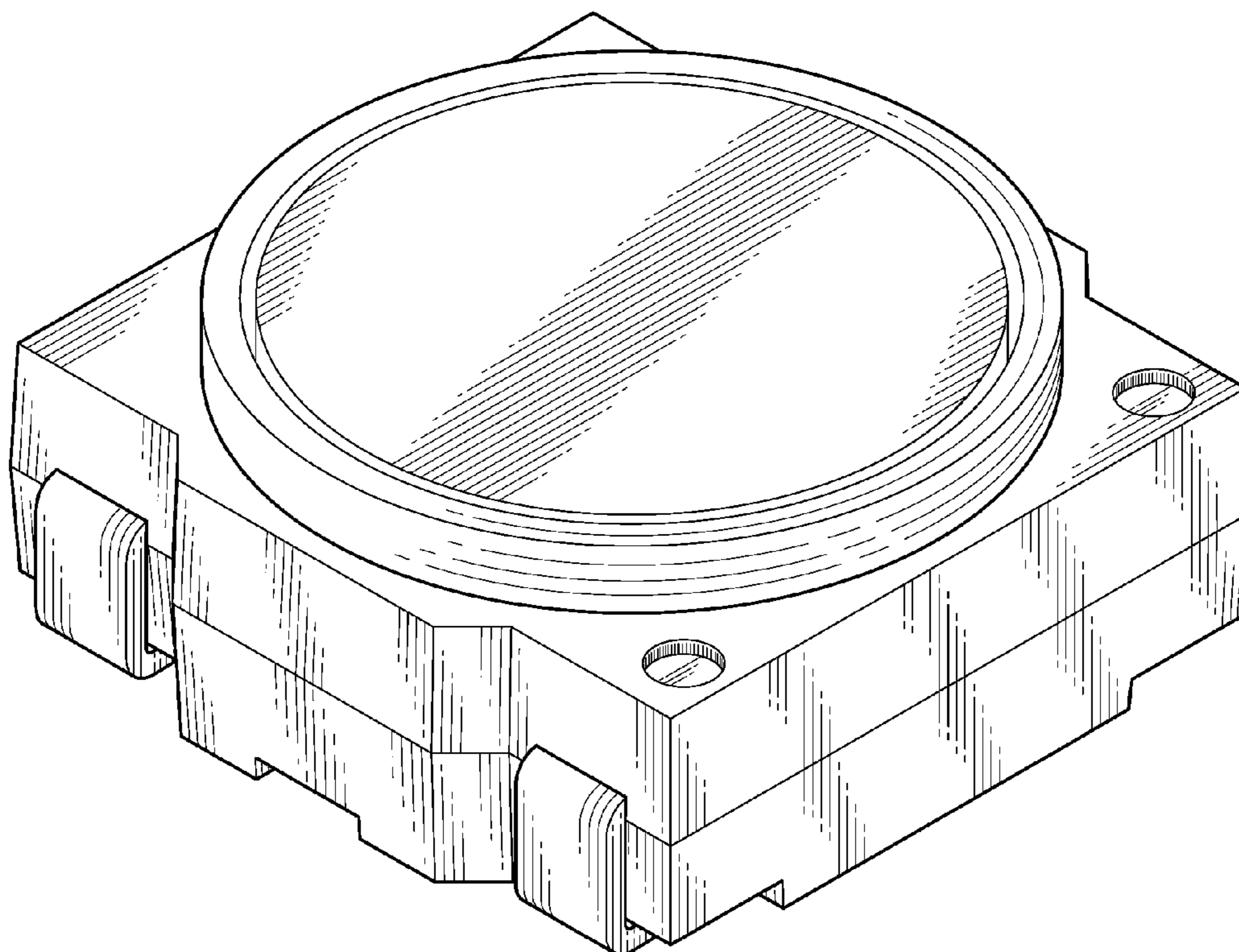
FIG. 4 is a left side view thereof;

FIG. 5 is a right side view thereof;

FIG. 6 is a top plan view thereof; and,

FIG. 7 is a bottom plan view thereof.

**1 Claim, 7 Drawing Sheets**



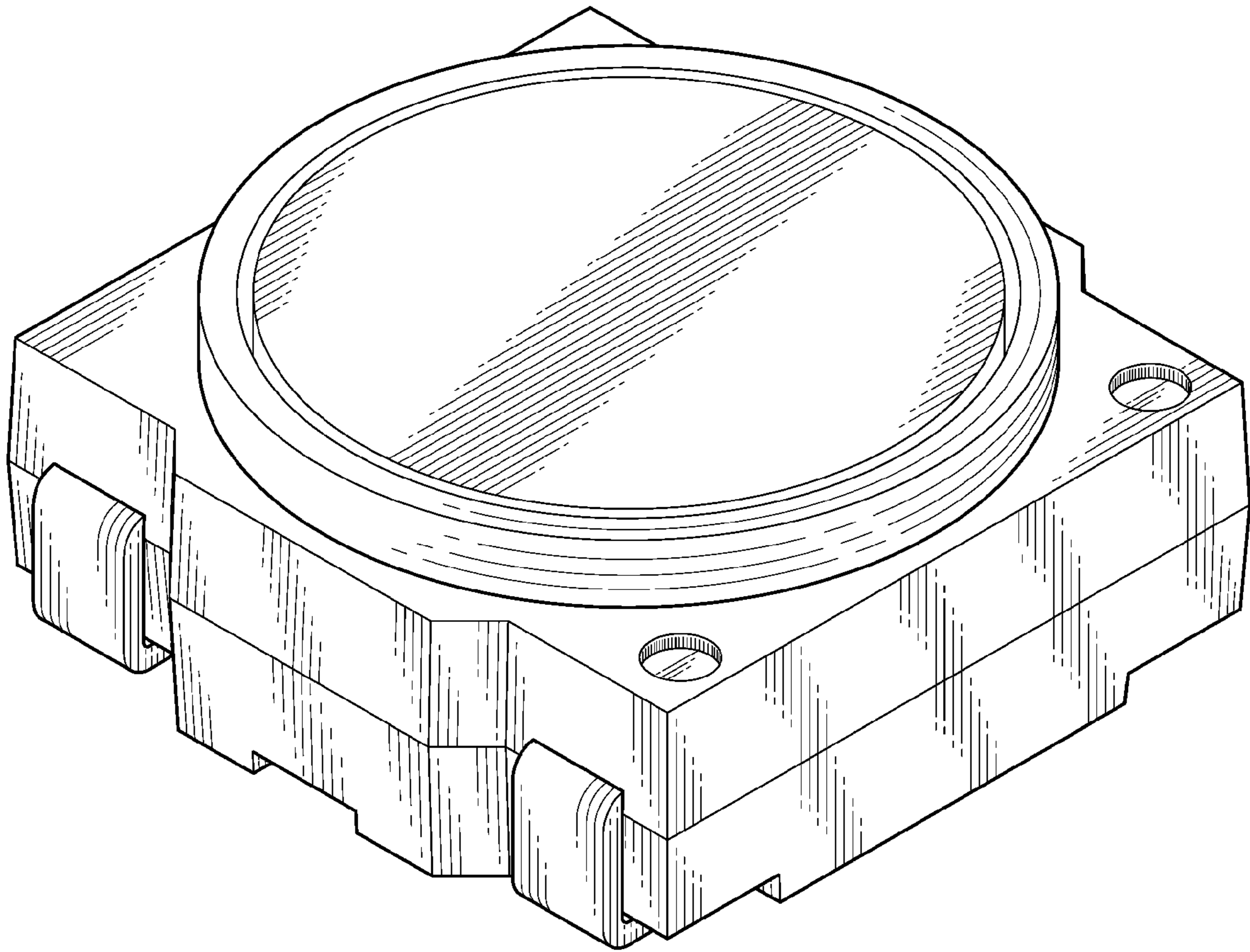


FIG. 1

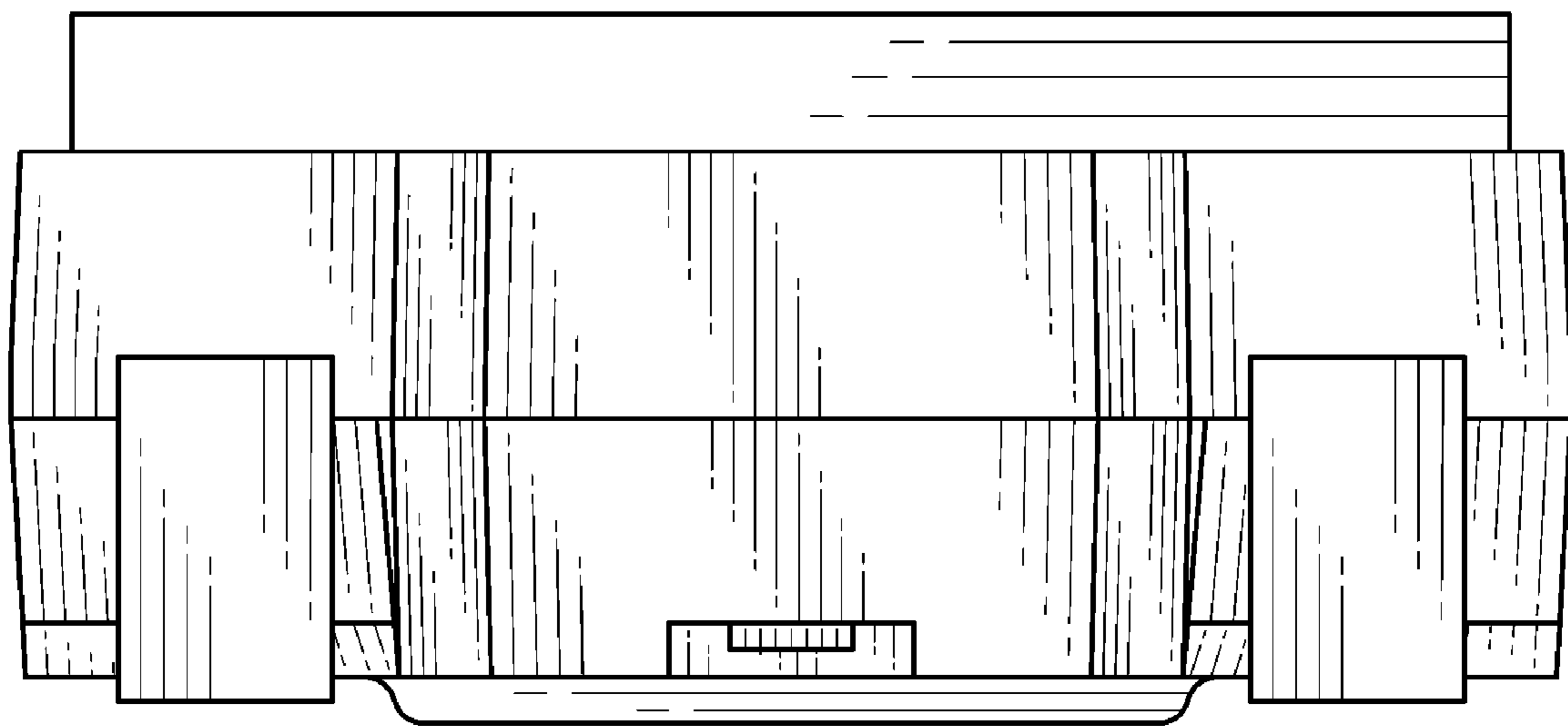


FIG. 2

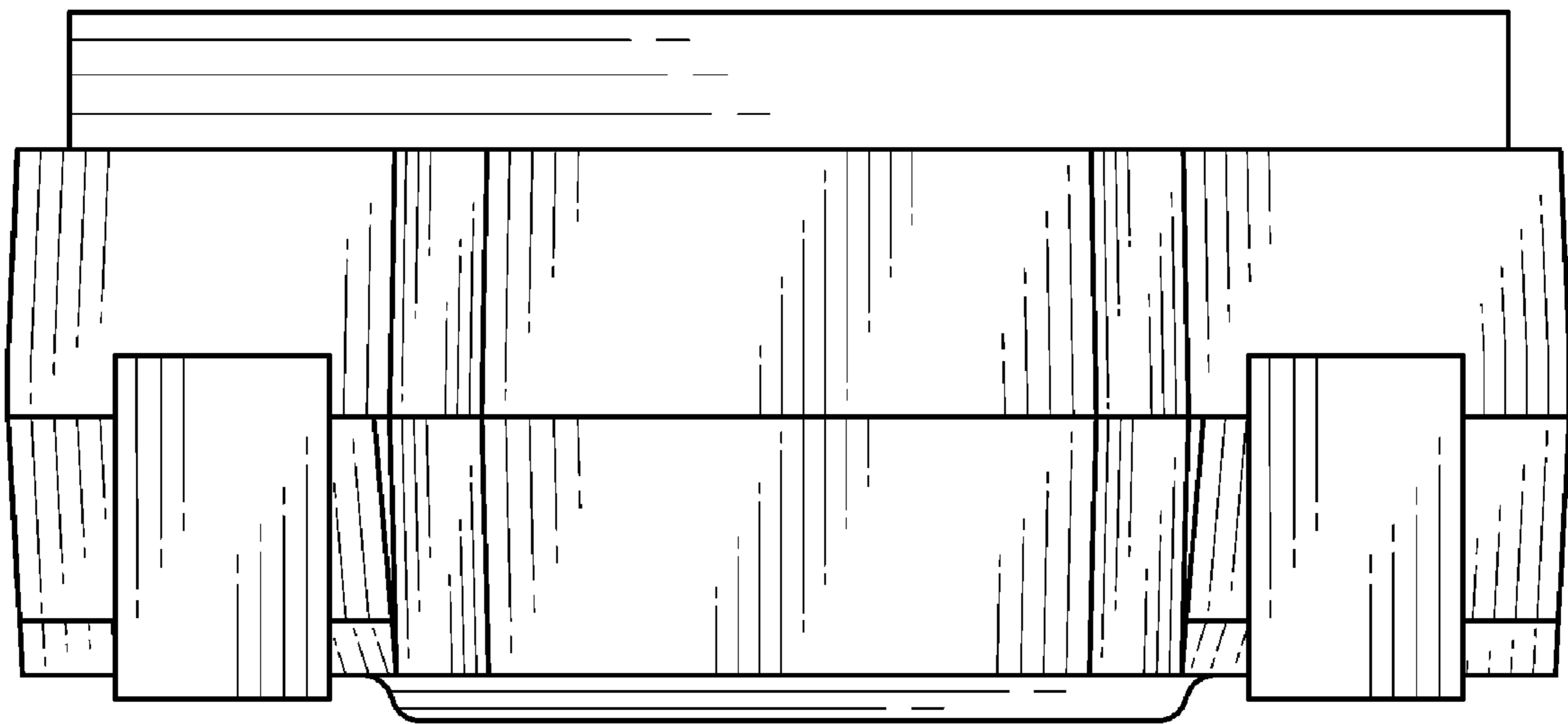


FIG. 3

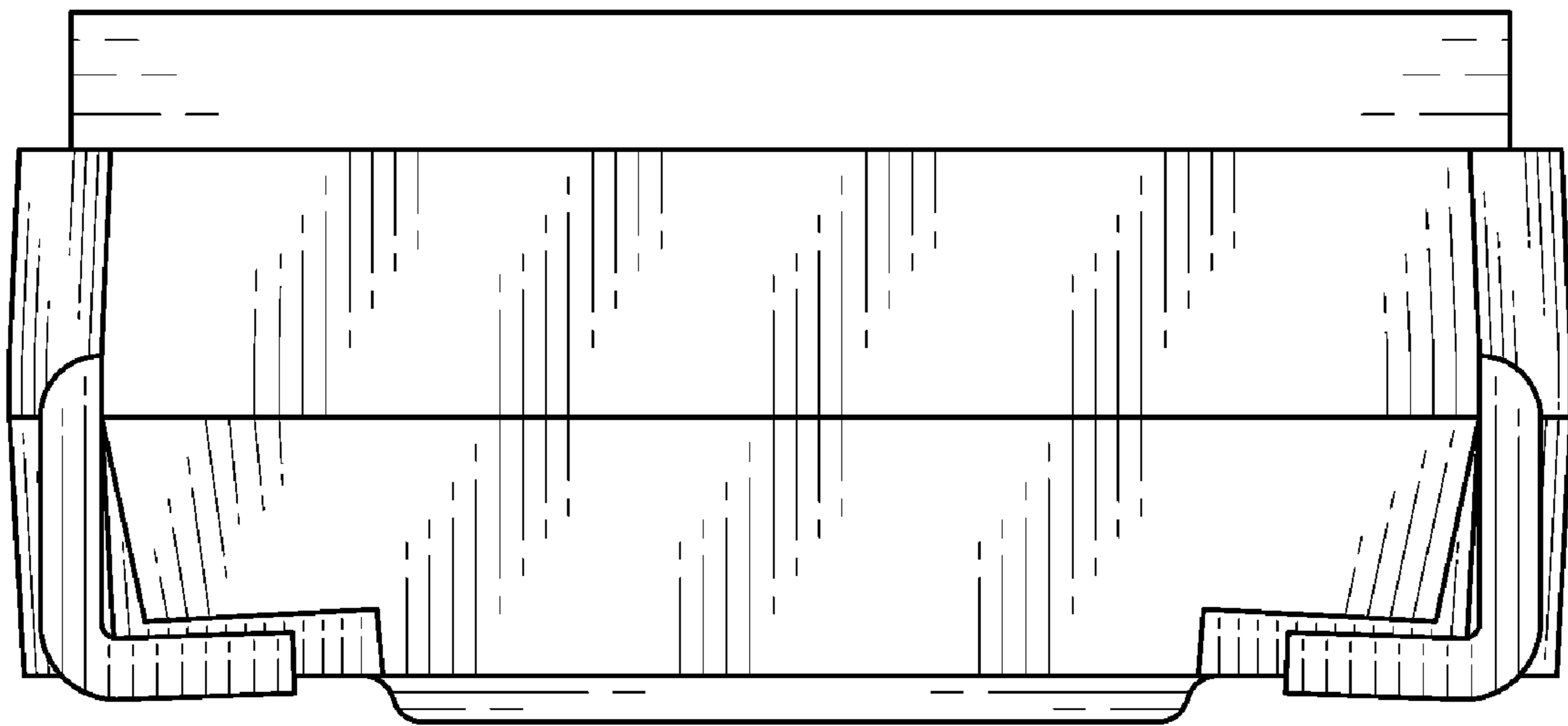


FIG. 4

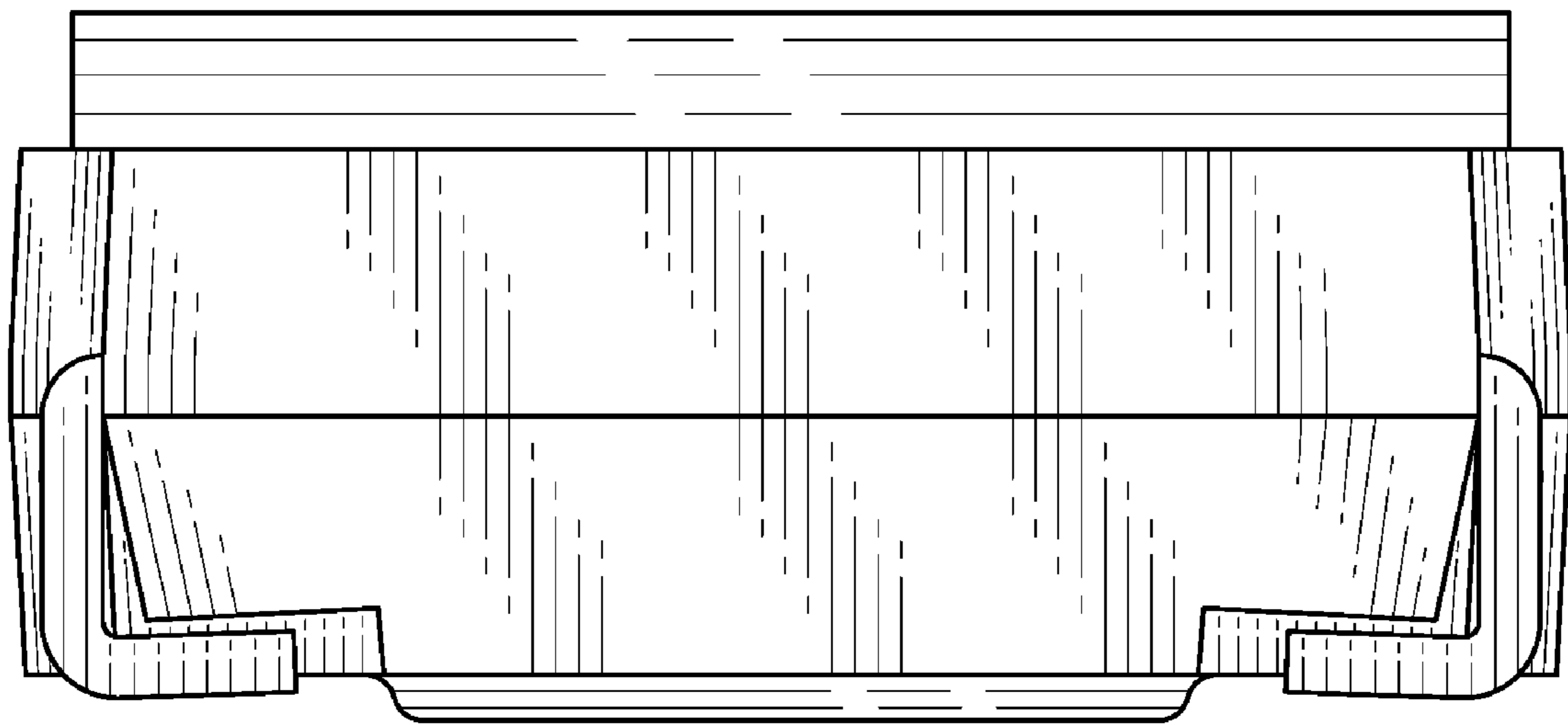


FIG. 5

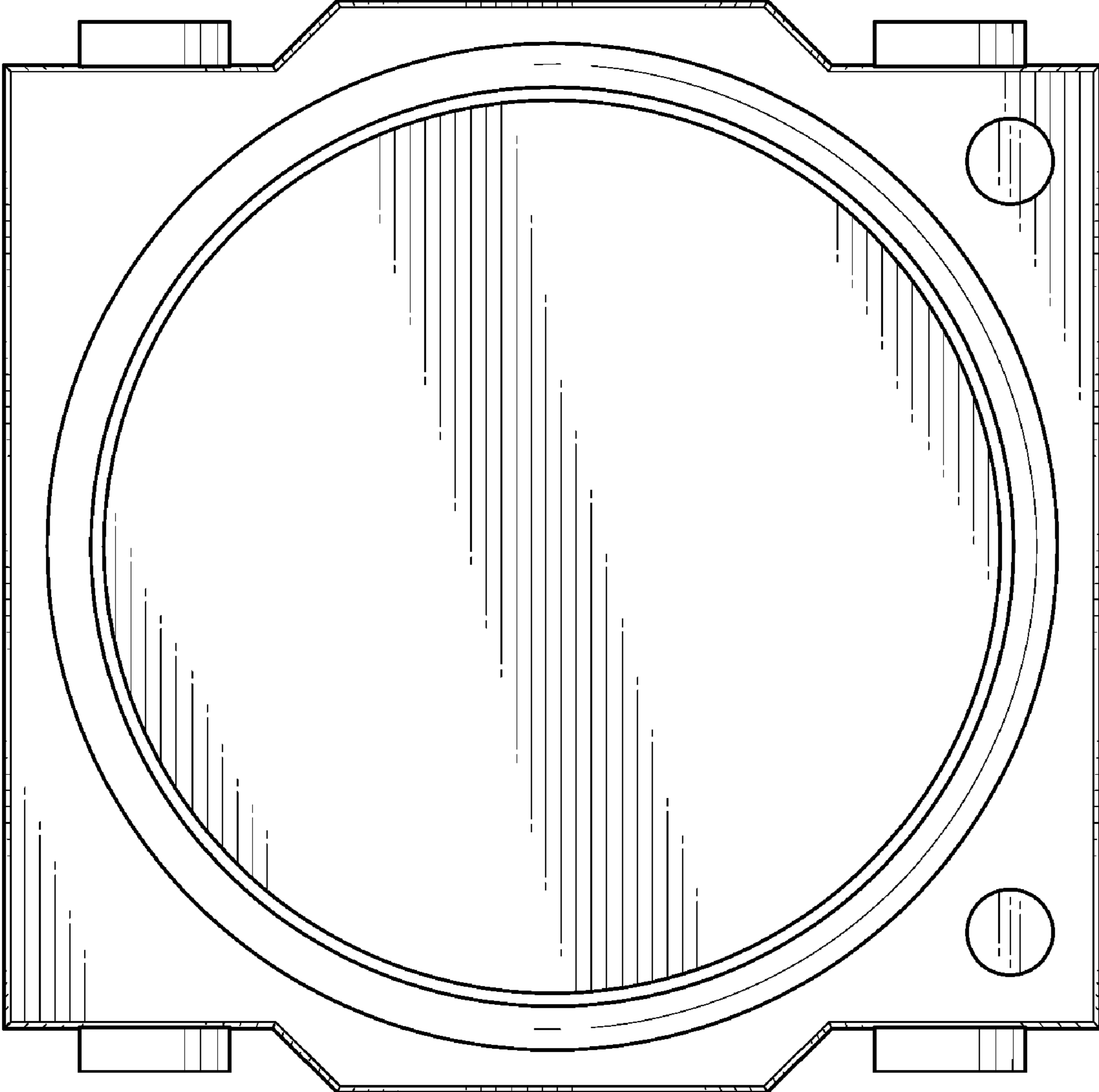


FIG. 6

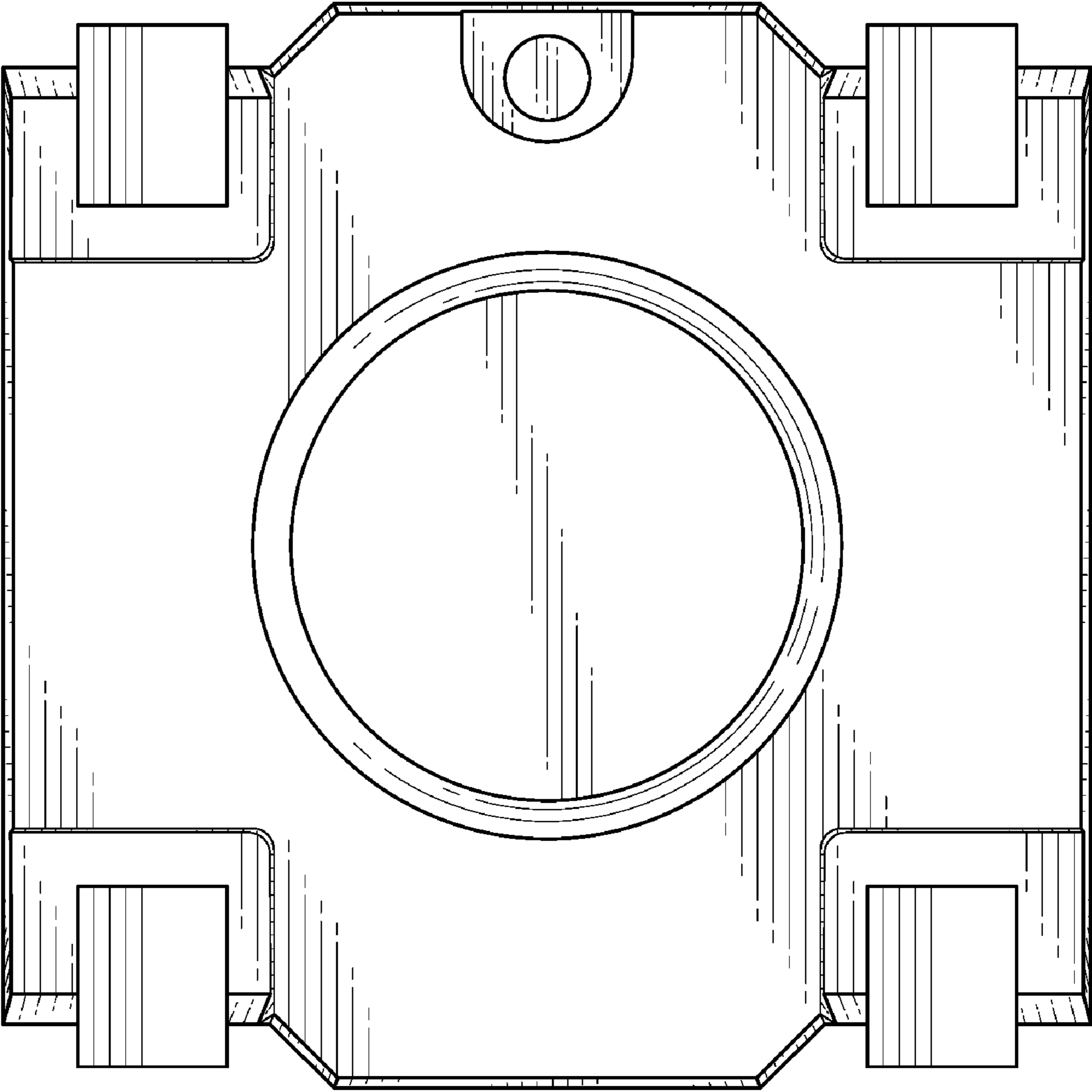


FIG. 7