



US00D621799S

(12) **United States Design Patent**
Hussell et al.

(10) **Patent No.:** **US D621,799 S**
(45) **Date of Patent:** **** Aug. 17, 2010**

(54) **LIGHT EMITTING DIODE**

DESCRIPTION

(75) Inventors: **Christopher P. Hussell**, Cary, NC (US);
Ban P. Loh, Durham, NC (US); **Shuying Huang**, Apex, NC (US)

(73) Assignee: **Cree, Inc.**, Durham, NC (US)

(**) Term: **14 Years**

(21) Appl. No.: **29/330,657**

(22) Filed: **Jan. 12, 2009**

(51) **LOC (9) Cl.** **13-03**

(52) **U.S. Cl.** **D13/180**

(58) **Field of Classification Search** D13/180;
D26/2; 257/79, 80, 81, 88, 89, 95, 98, 99,
257/100; 313/483, 498, 500; 362/555, 800
See application file for complete search history.

(56) **References Cited**

U.S. PATENT DOCUMENTS

D573,113	S *	7/2008	Bando	D13/180
D573,114	S *	7/2008	Min et al.	D13/180
D595,675	S *	7/2009	Wang et al.	D13/180
2004/0126913	A1 *	7/2004	Loh	438/26
2006/0175716	A1 *	8/2006	Nakashima	257/787
2008/0185605	A1 *	8/2008	Wada et al.	257/98

OTHER PUBLICATIONS

Description Model No. NS6G083 issued by Nichia Corporation—at least as early as Aug. 31, 2007.

Description Model No. NS6x083x issued by Nichia Corporation—at least as early as Feb. 17, 2007.

* cited by examiner

Primary Examiner—Selina Sikder

(74) *Attorney, Agent, or Firm*—Jenkins, Wilson, Taylor & Hunt, P.A.

(57) **CLAIM**

The ornamental design for a light emitting diode, as shown and described.

FIG. 1 is a top perspective view of a first embodiment of an LED showing our design;

FIG. 2 is a top view thereof;

FIG. 3 is a front view thereof;

FIG. 4 is a rear view thereof;

FIG. 5 is a bottom view thereof opposite the view of FIG. 2;

FIG. 6 is a side view thereof;

FIG. 7 is an opposing side view thereof;

FIG. 8 is a back perspective view thereof;

FIG. 9 is a top perspective view of a second embodiment of an LED showing our design;

FIG. 10 is a top view thereof;

FIG. 11 is a front view thereof;

FIG. 12 is a rear view thereof;

FIG. 13 is a bottom view thereof opposite the view of FIG. 10;

FIG. 14 is a side view thereof;

FIG. 15 is an opposing side view thereof;

FIG. 16 is a back perspective view thereof;

FIG. 17 is a top perspective view of a third embodiment of an LED showing our design;

FIG. 18 is a top view thereof;

FIG. 19 is a front view thereof;

FIG. 20 is a rear view thereof;

FIG. 21 is a bottom view thereof opposite the view of FIG. 18;

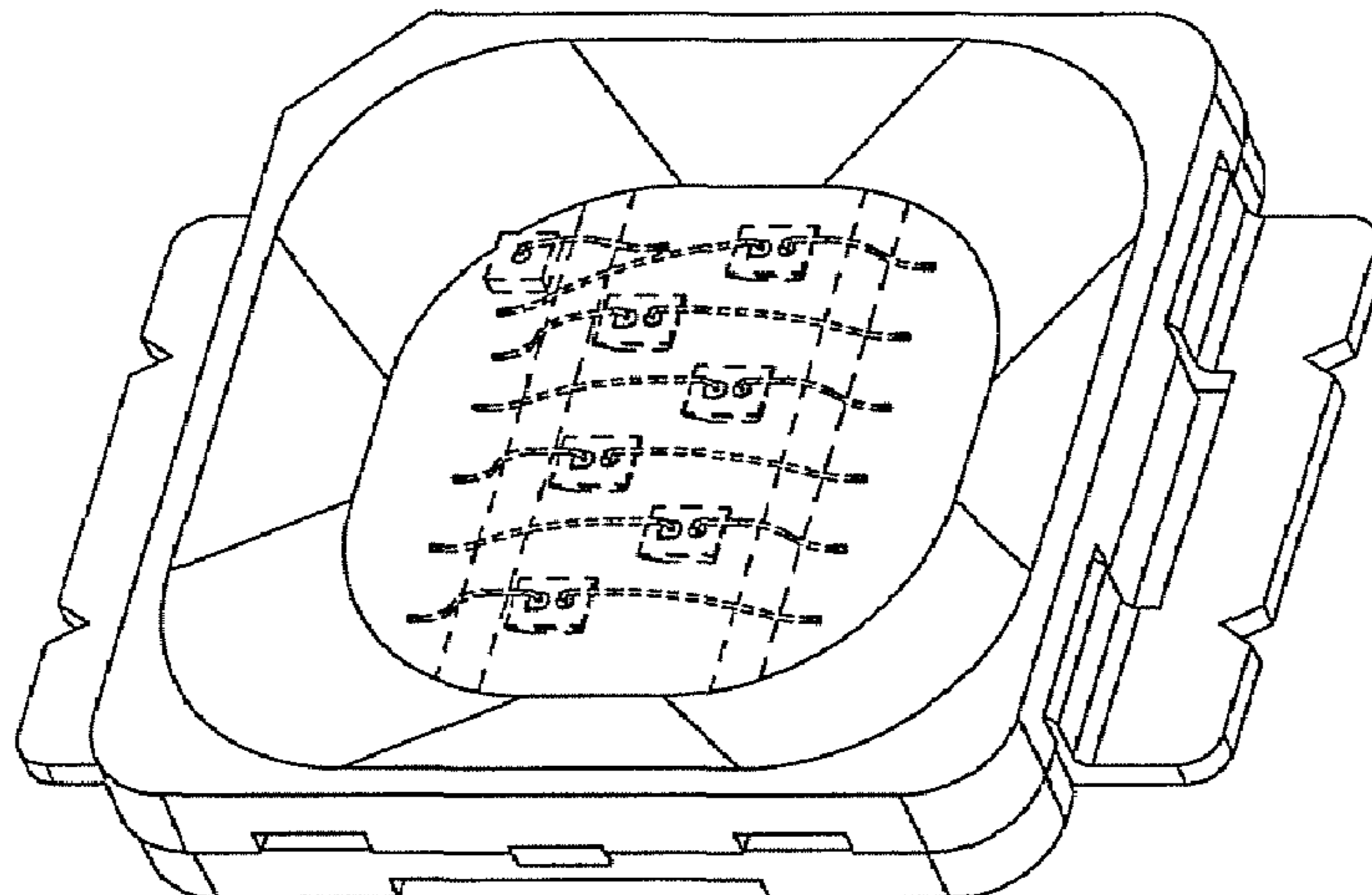
FIG. 22 is a side view thereof;

FIG. 23 is an opposing side view thereof; and,

FIG. 24 is a back perspective view thereof.

The broken lines shown herein are for illustrative purposes only and form no part of the claimed design. The illustrated device is not limited to the scale shown.

1 Claim, 6 Drawing Sheets



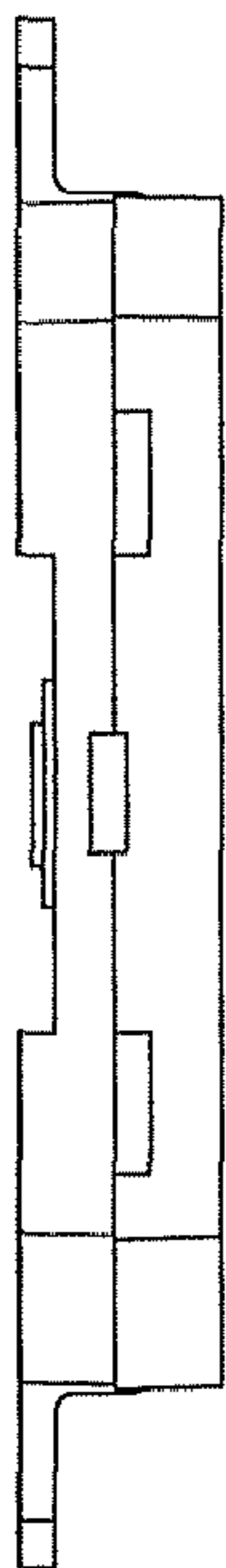


FIG. 3

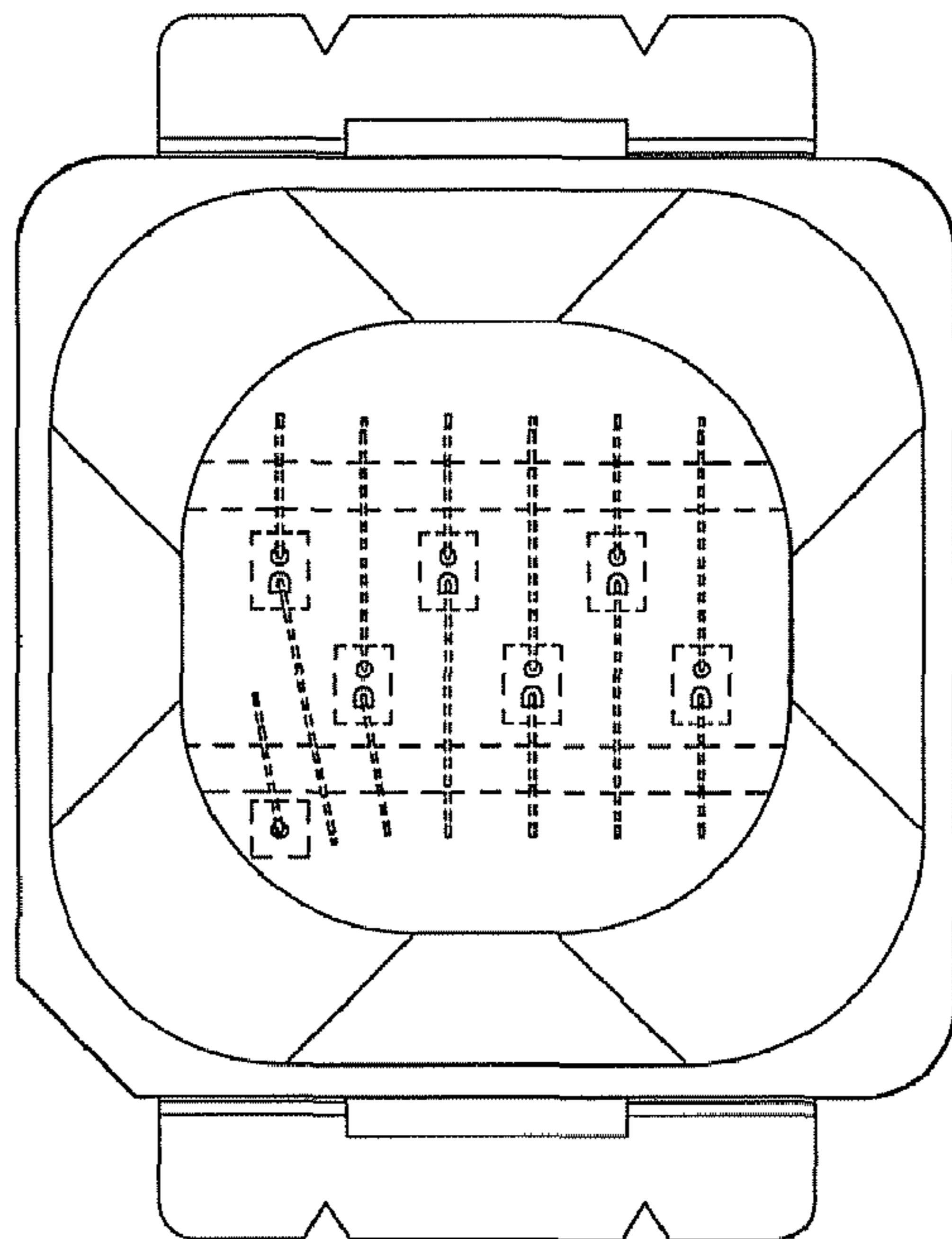


FIG. 2

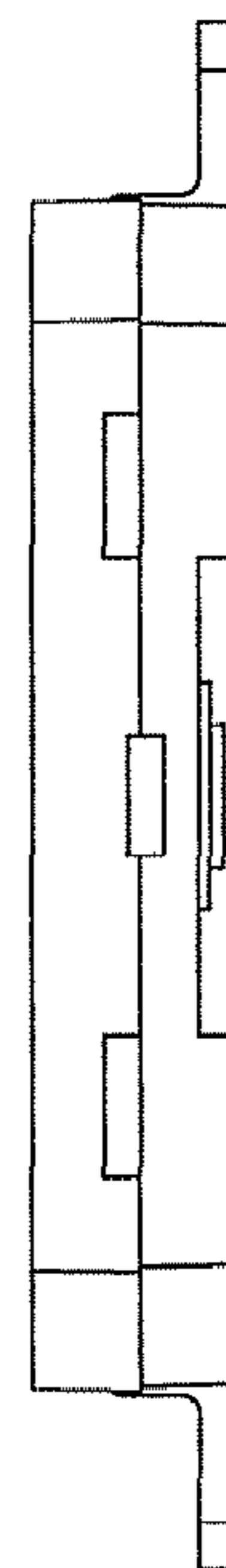


FIG. 4

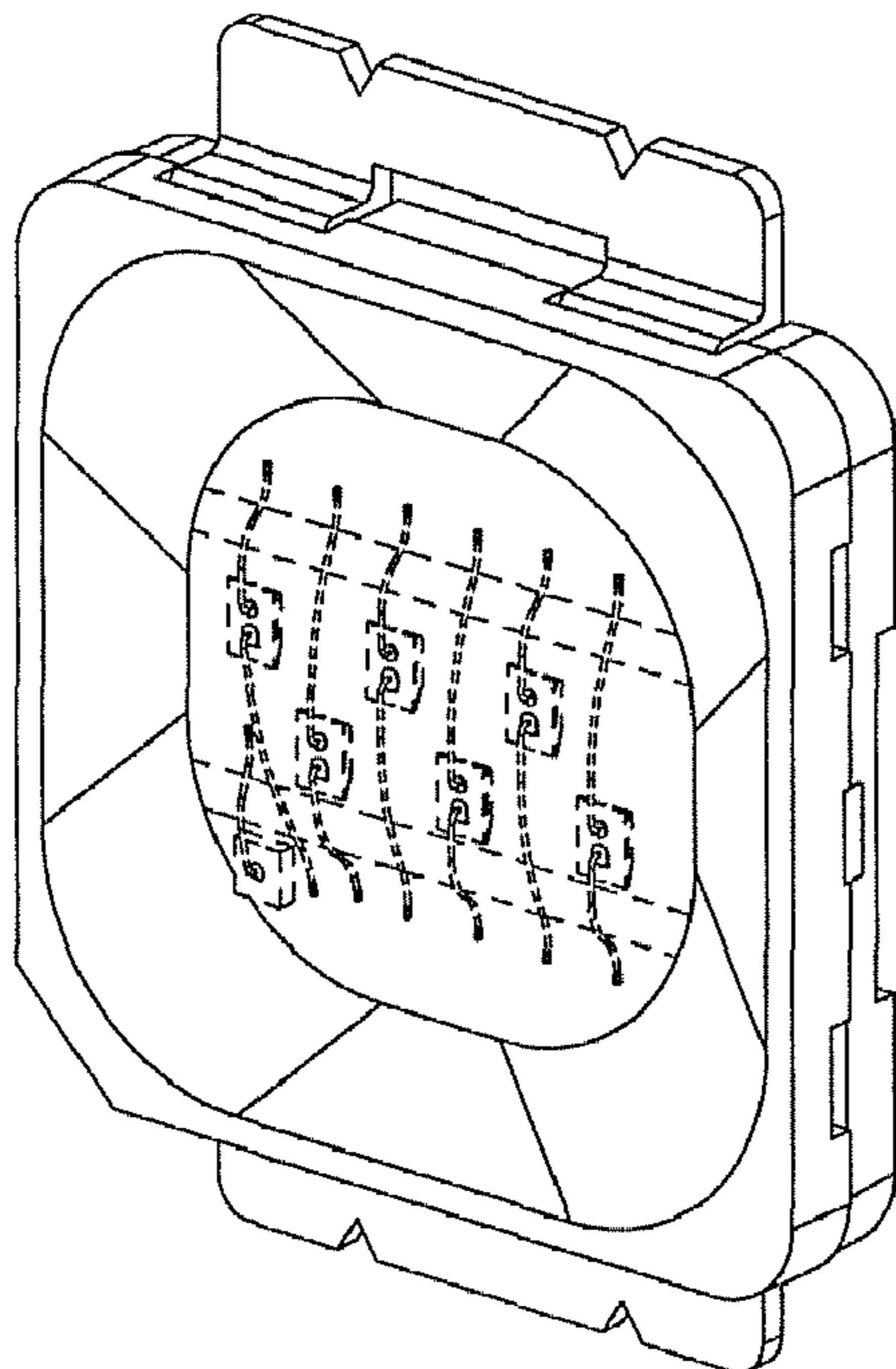


FIG. 1



FIG. 7

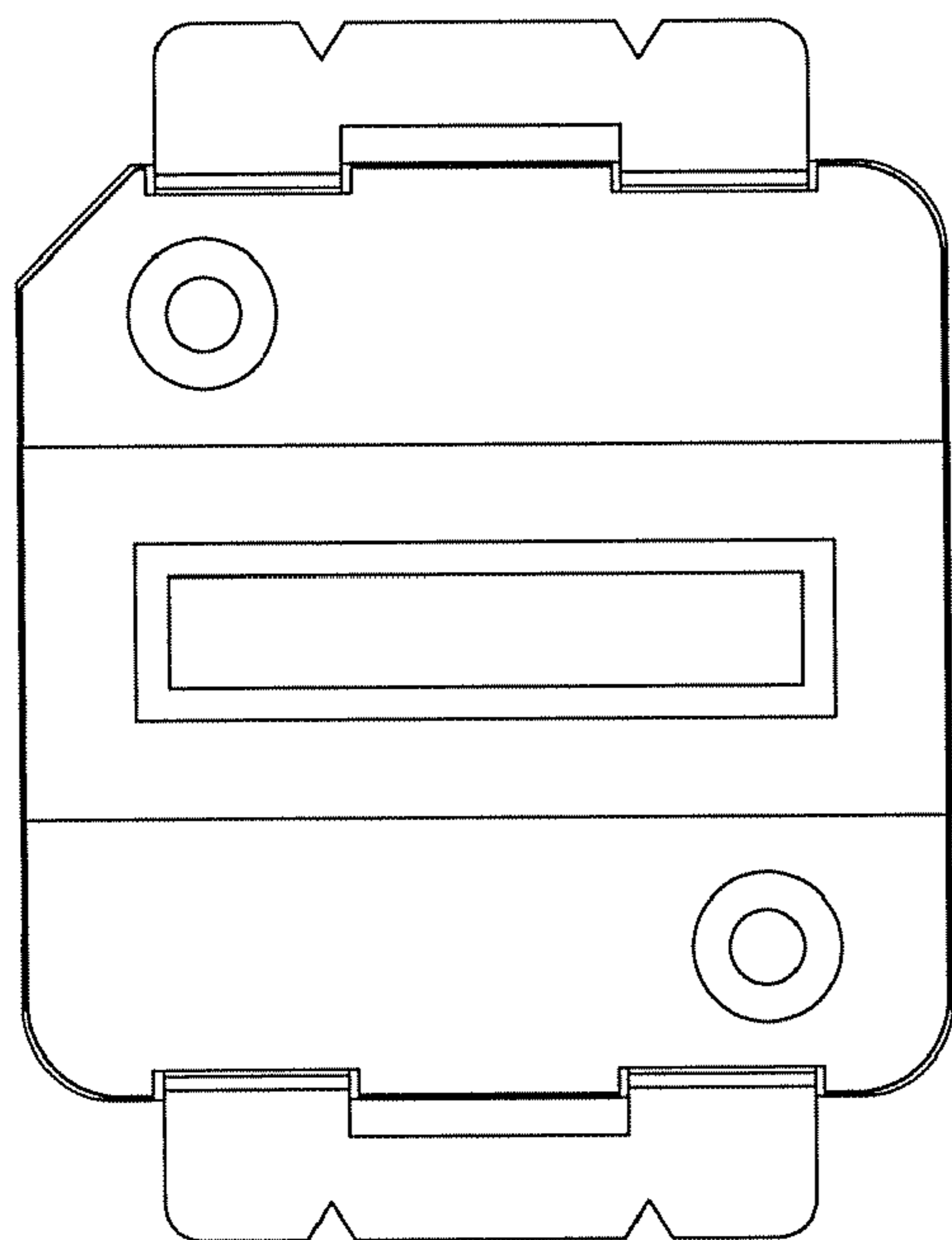


FIG. 5

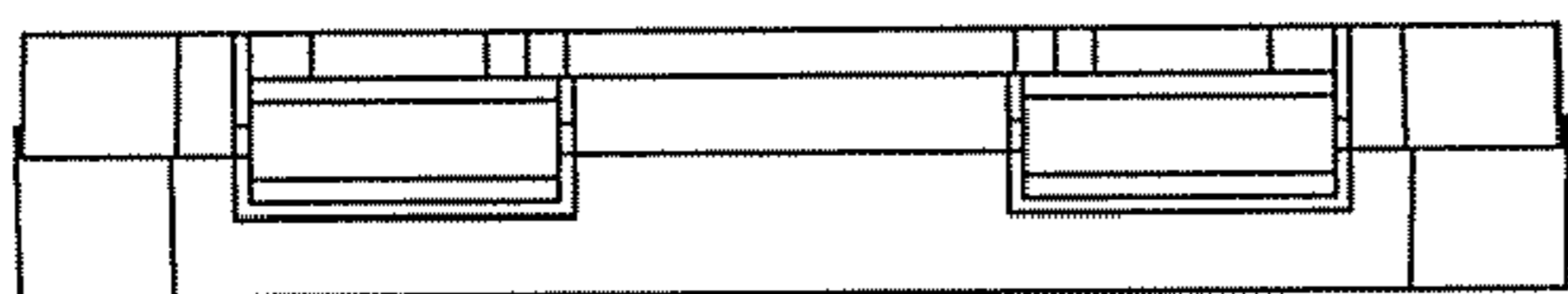


FIG. 6

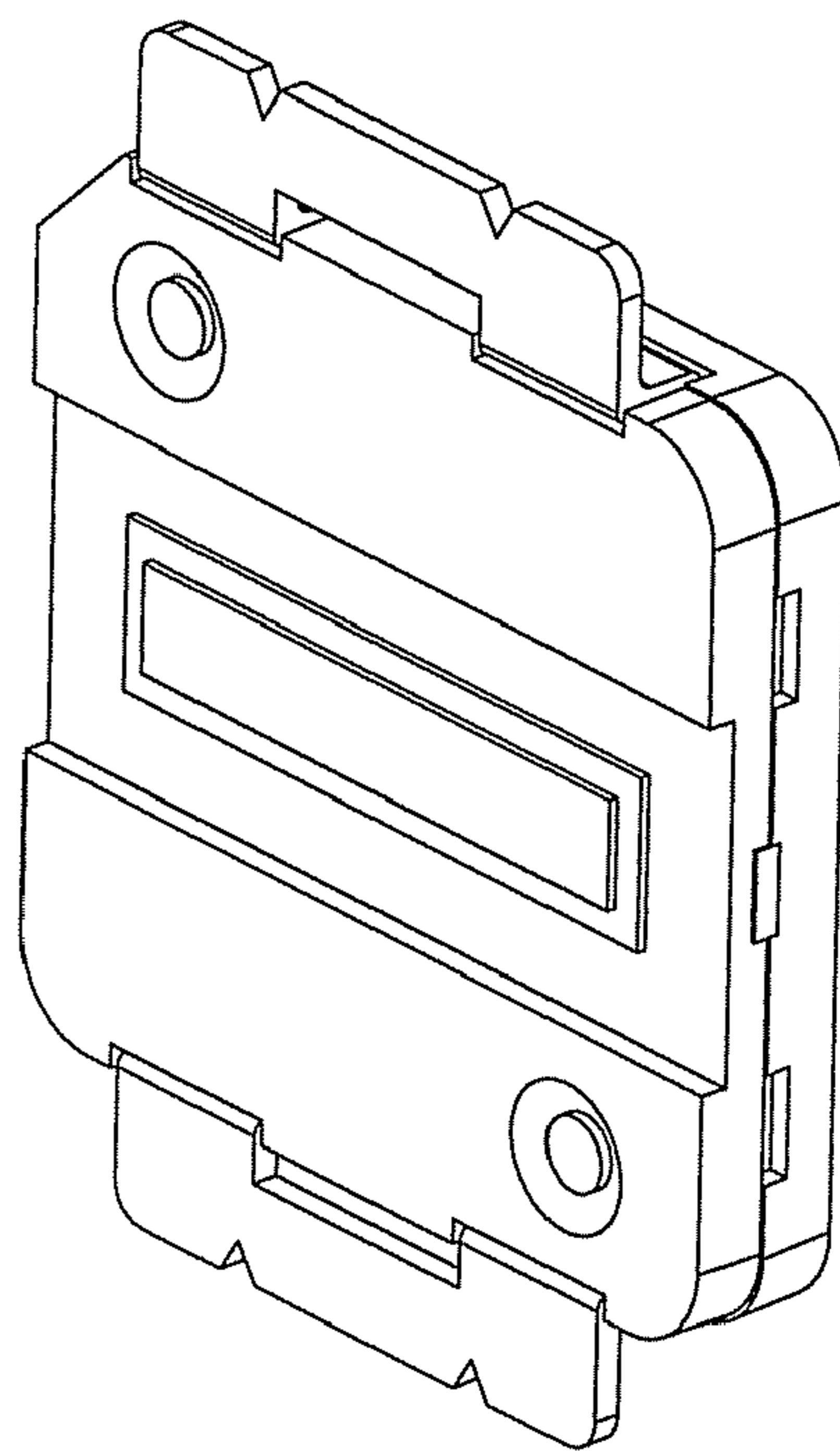


FIG. 8

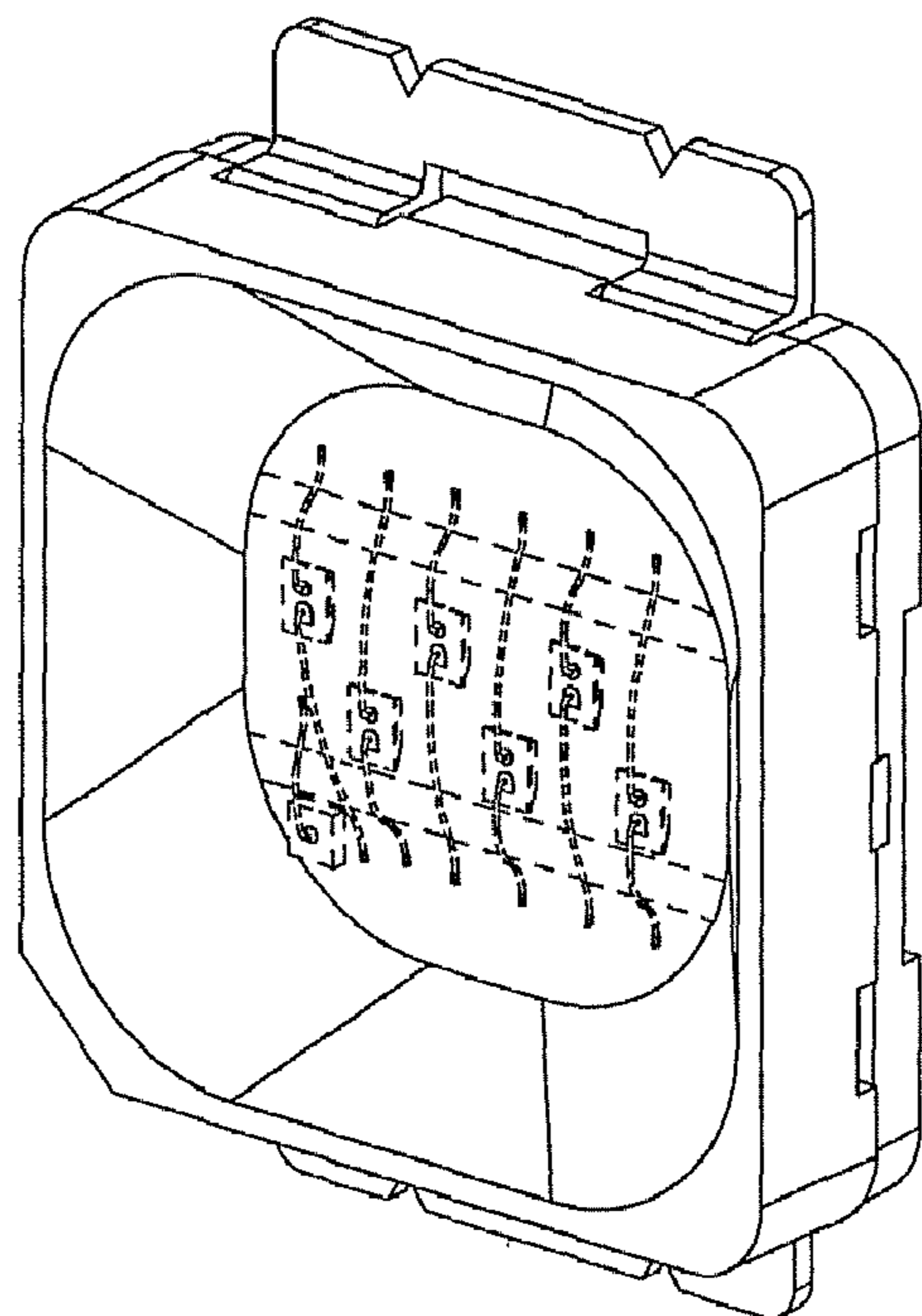


FIG. 9

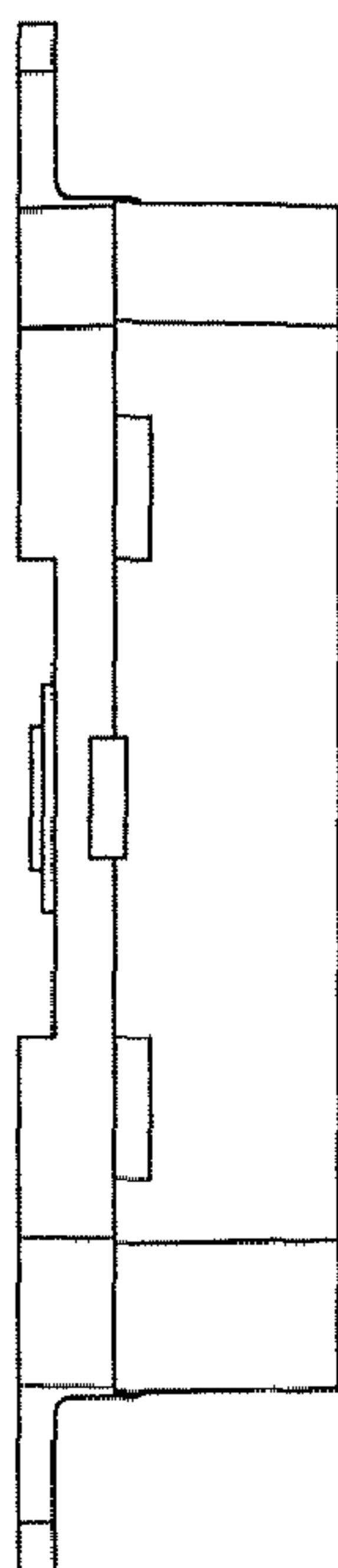


FIG. 11

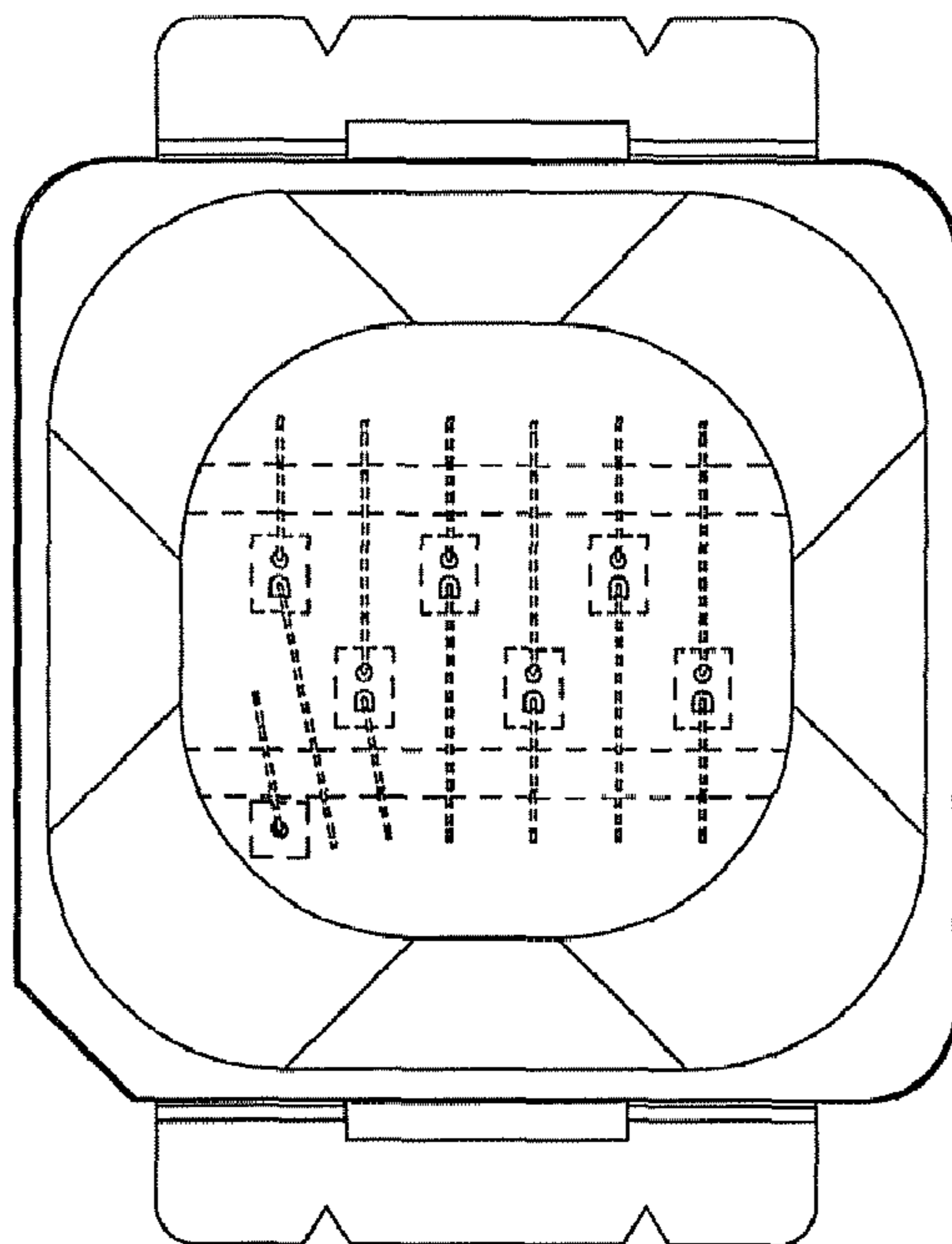


FIG. 10

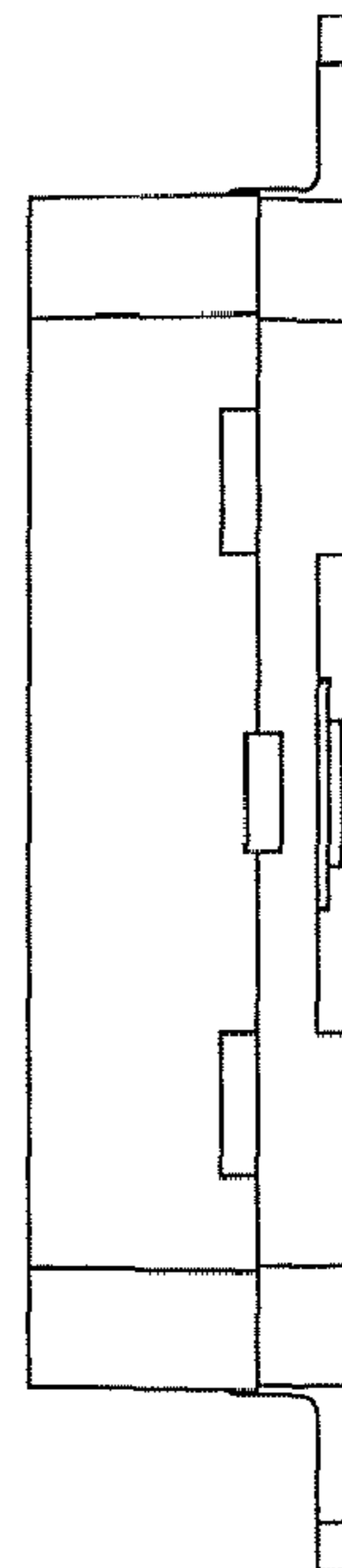


FIG. 12

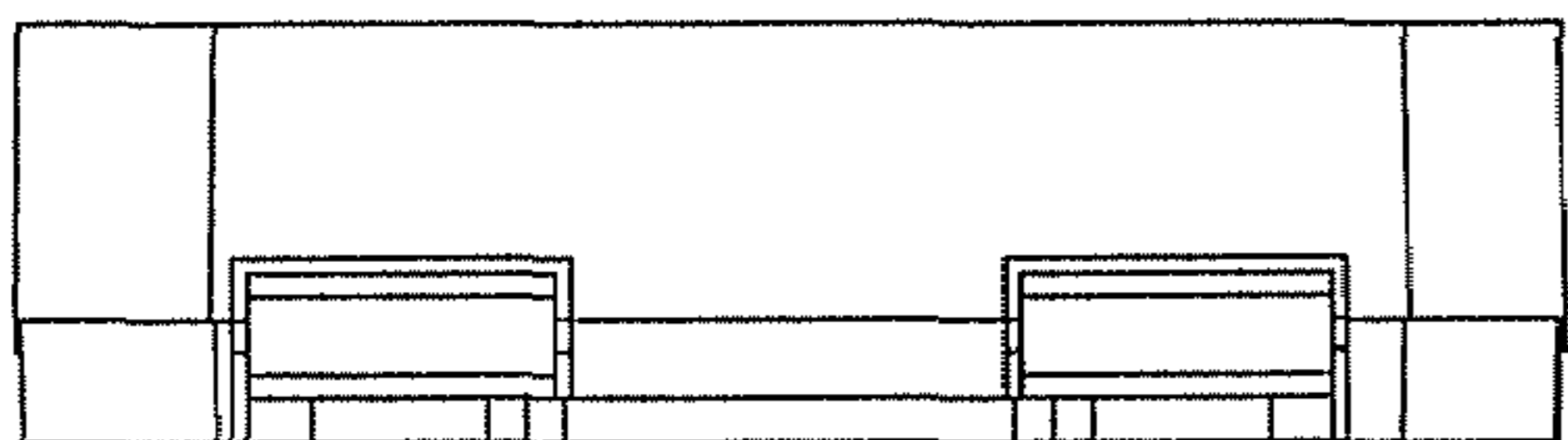


FIG. 15

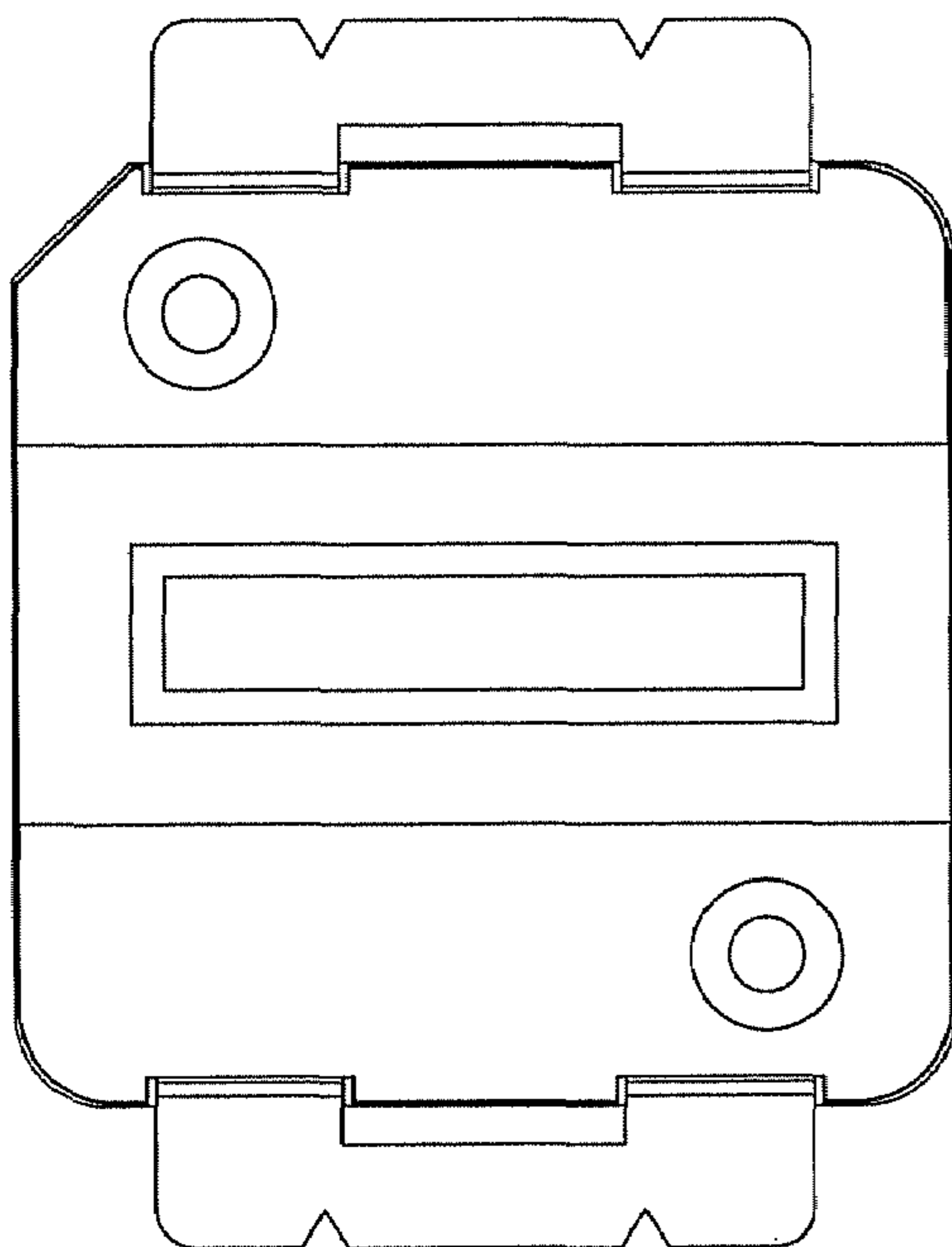


FIG. 13

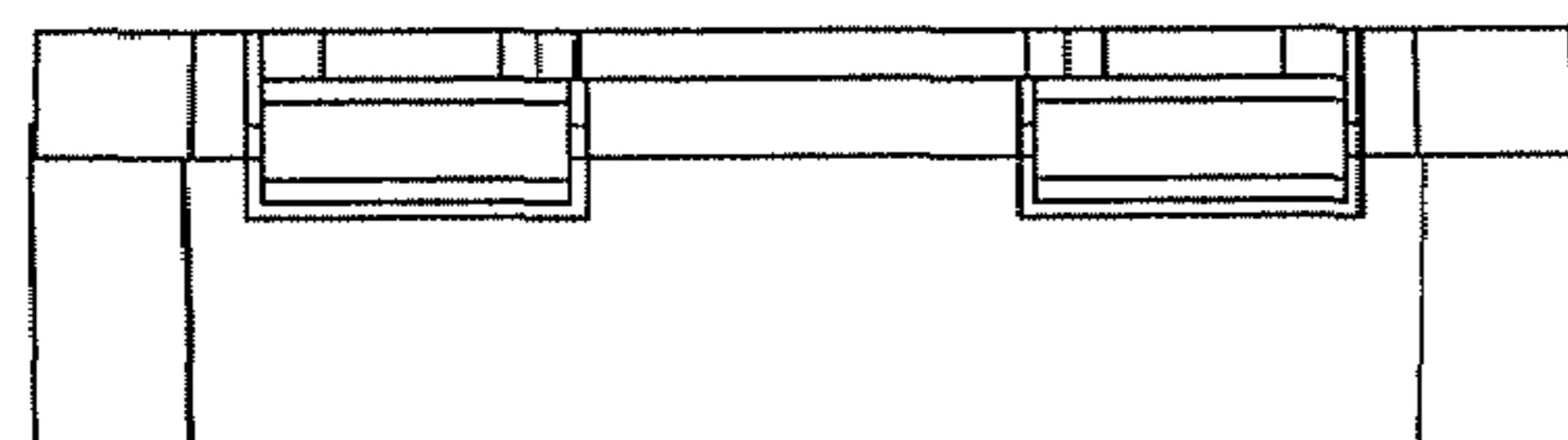


FIG. 14

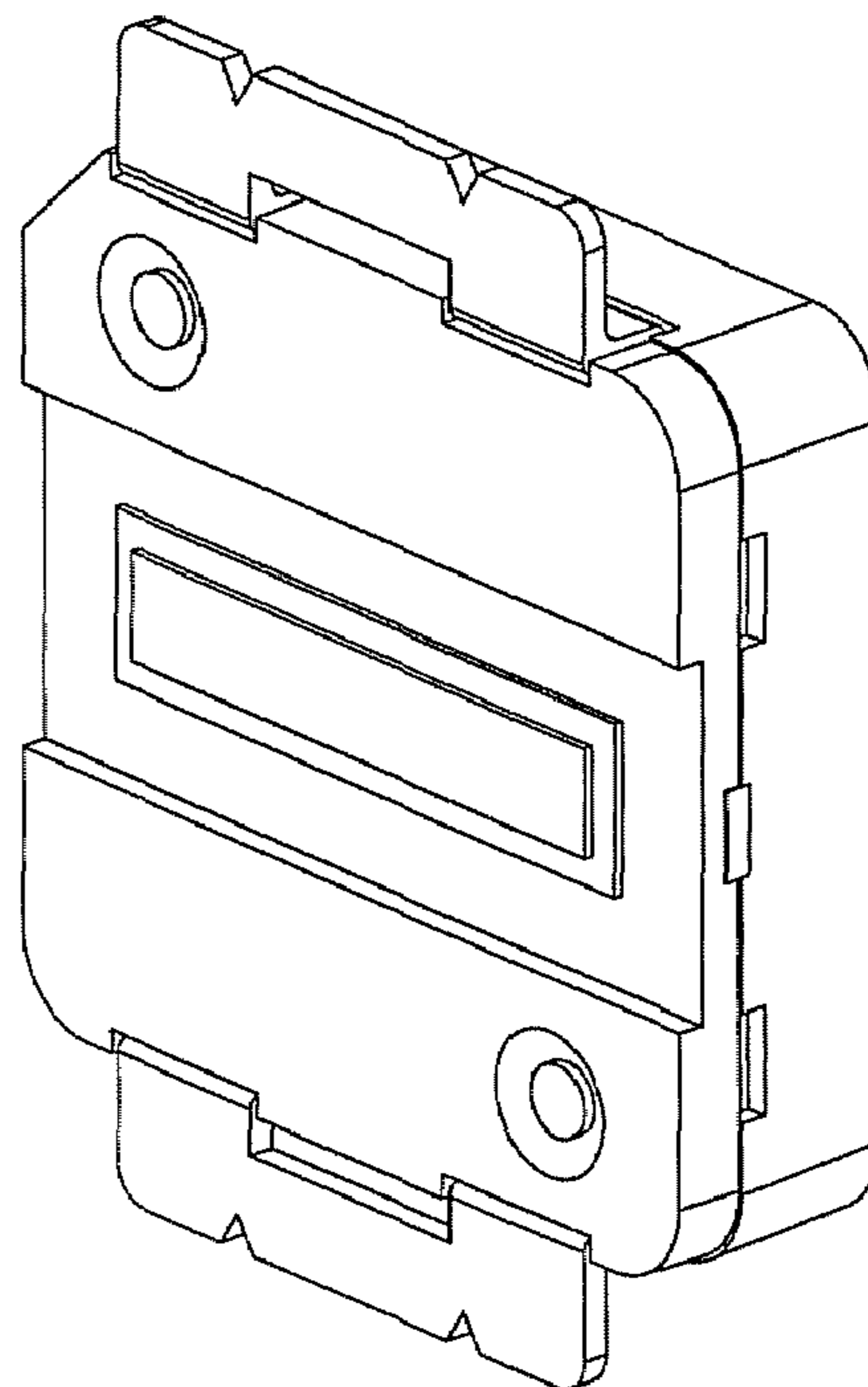


FIG. 16

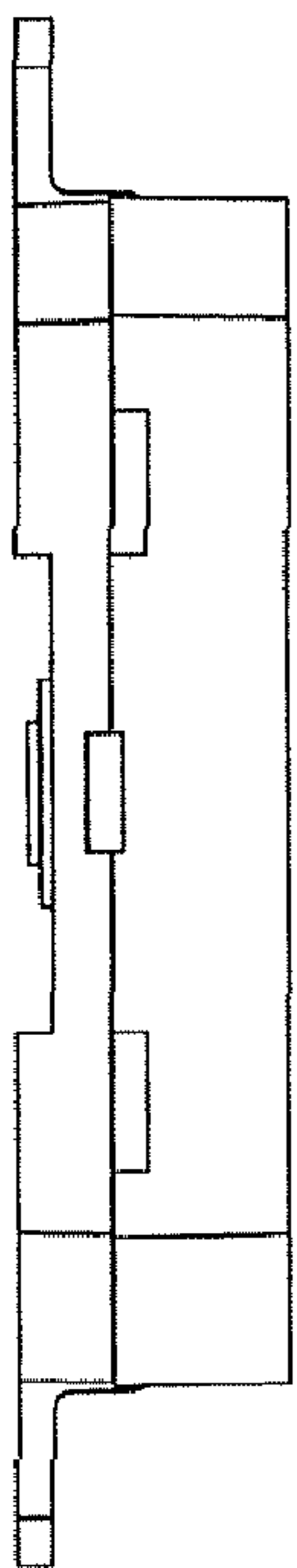


FIG. 19

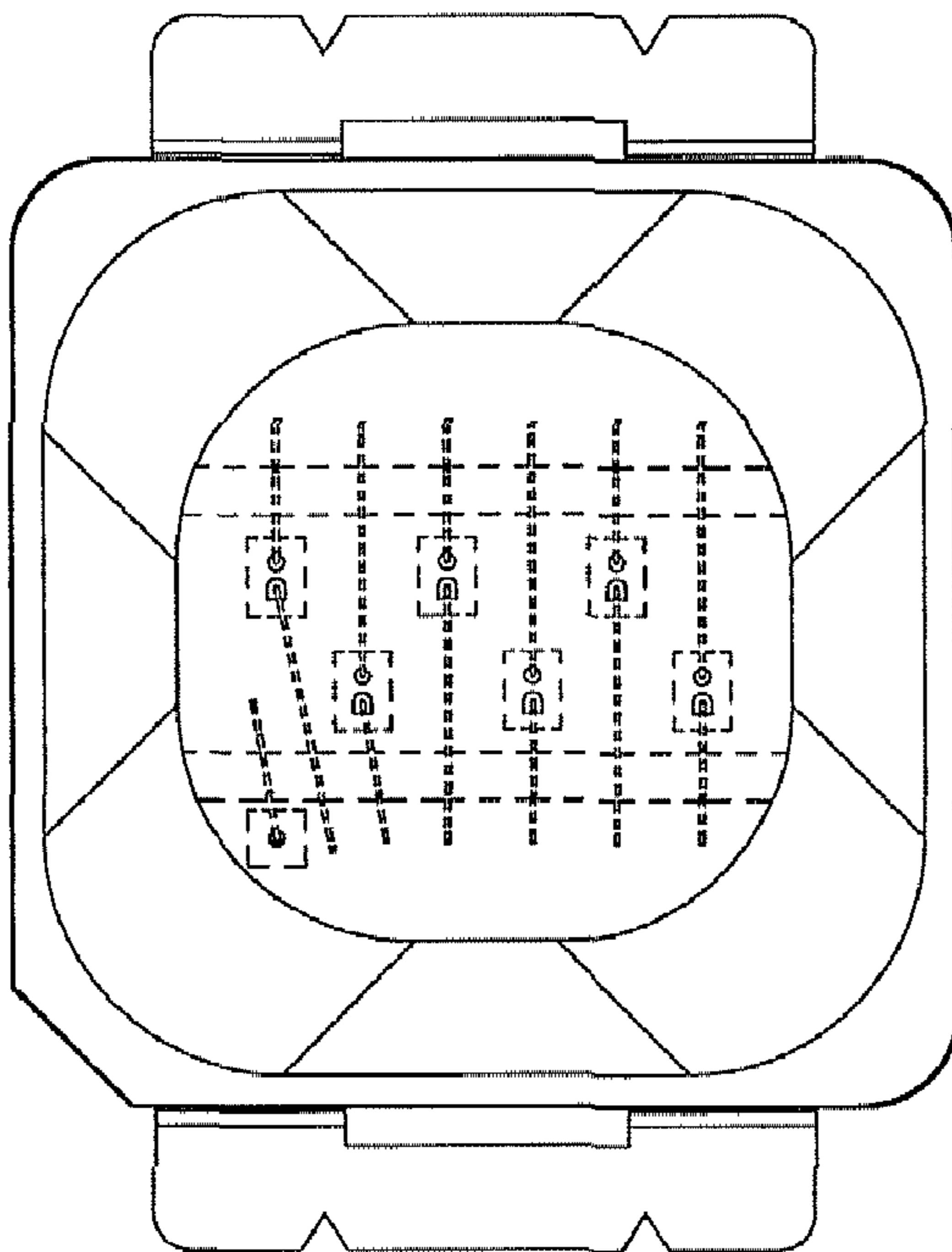


FIG. 18

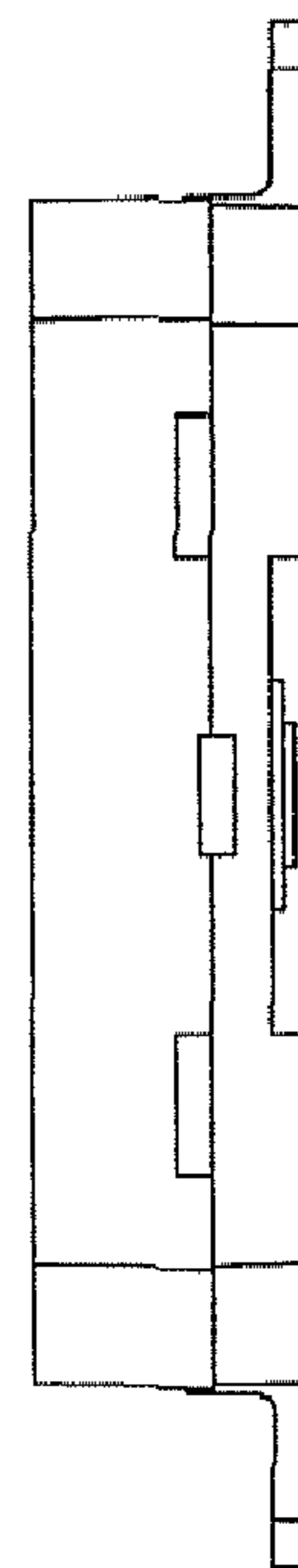


FIG. 20

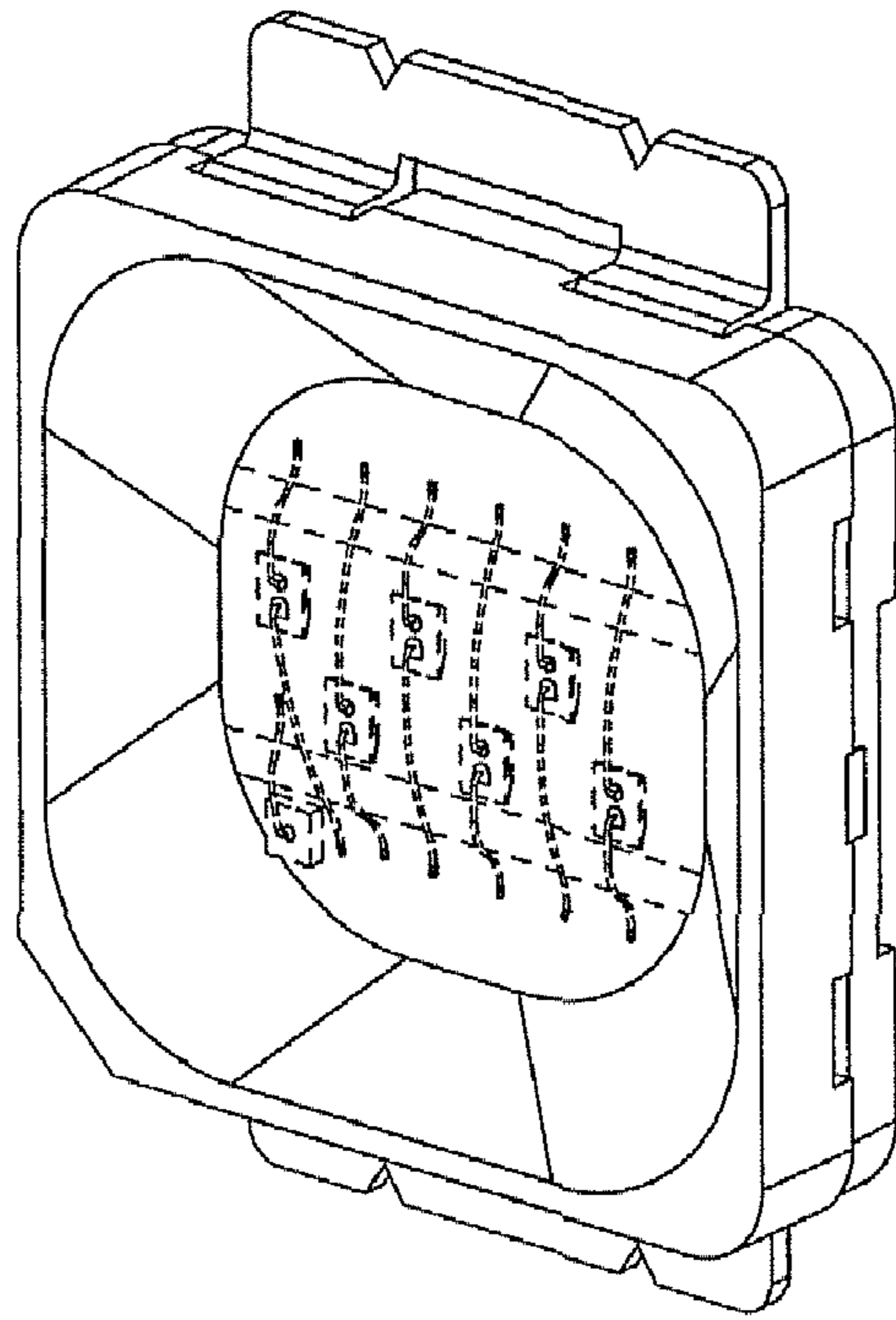


FIG. 17

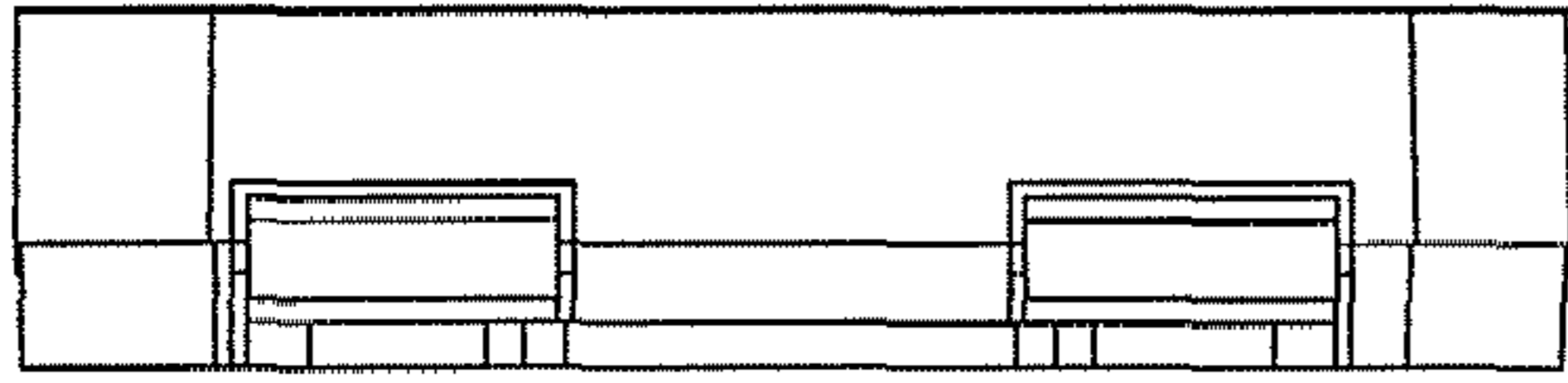


FIG. 23

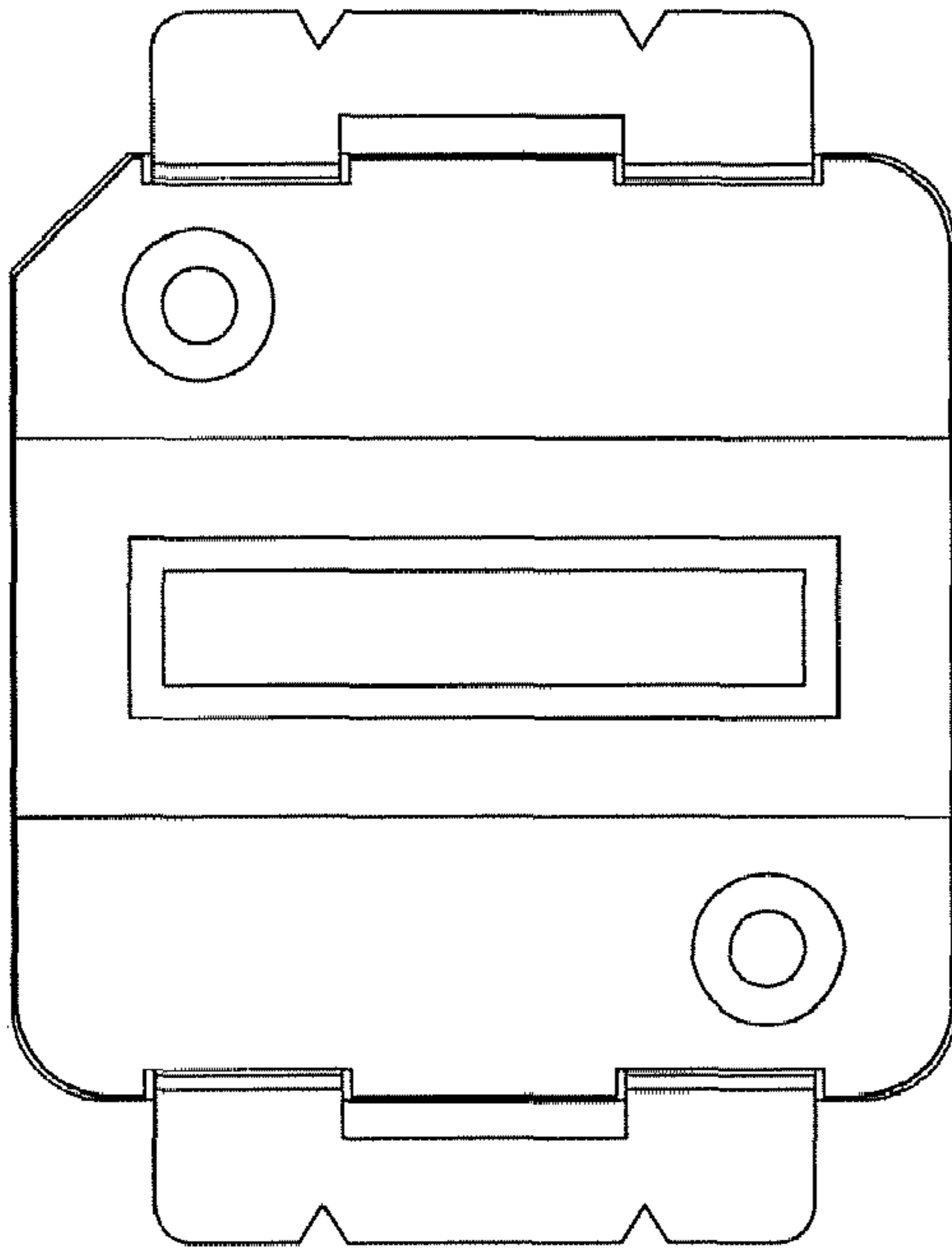


FIG. 21

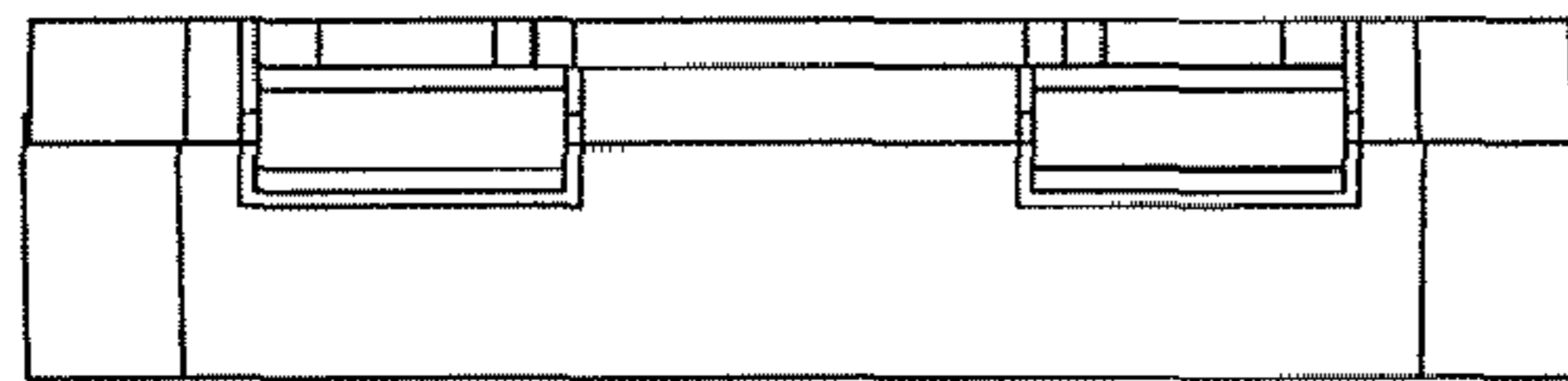


FIG. 22

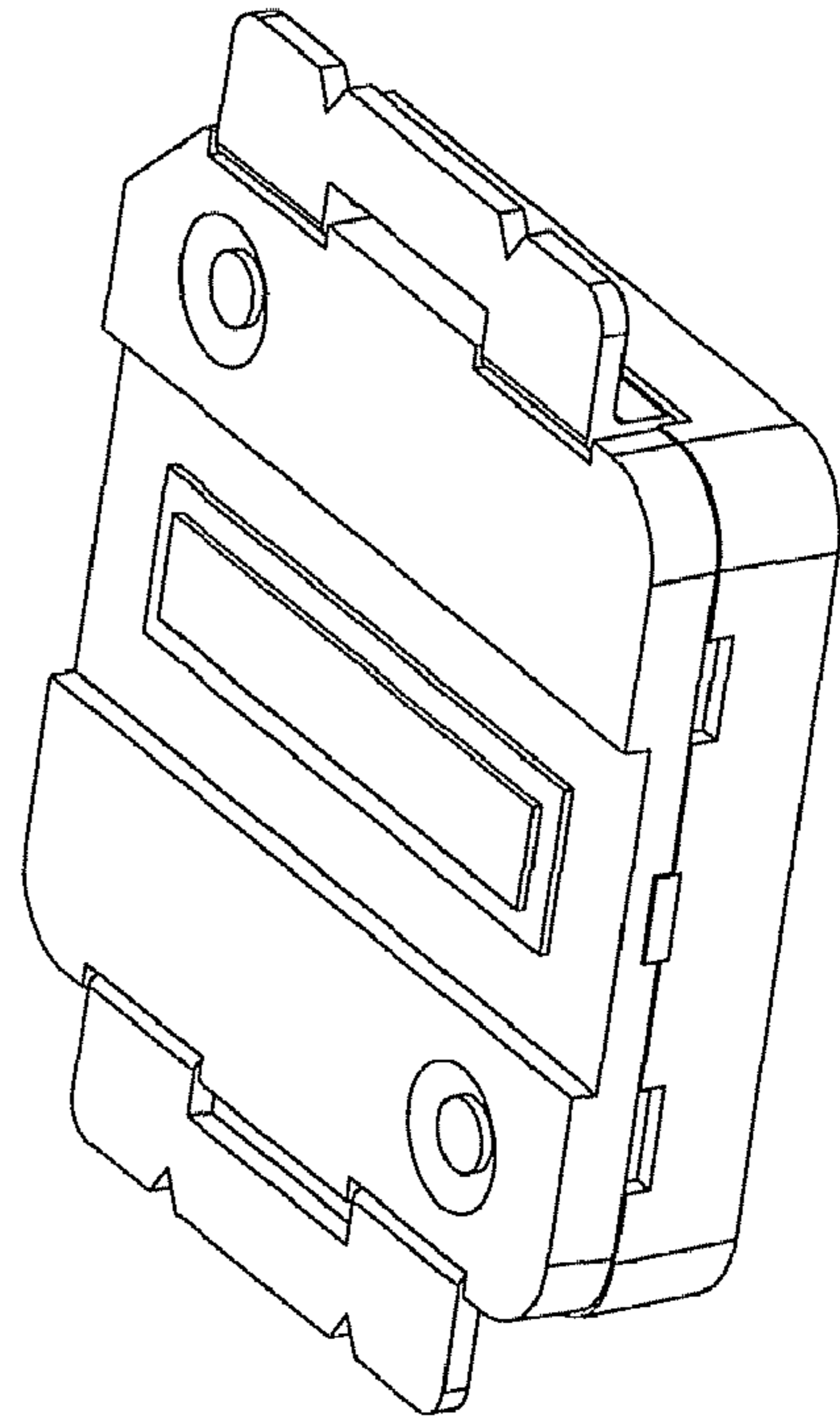


FIG. 24