



US00D621798S

(12) **United States Design Patent**
Lu et al.

(10) **Patent No.:** **US D621,798 S**

(45) **Date of Patent:** **** Aug. 17, 2010**

(54) **LIGHT-EMITTING DIODE SUBSTRATE**

FOREIGN PATENT DOCUMENTS

(75) Inventors: **Ying-Chieh Lu**, Miao-Li Hsien (TW);
Kuo-Feng Chiang, Miao-Li Hsien
(TW); **Chih-Ming Lai**, Miao-Li Hsien
(TW)

KR	3004194070000	7/2006
KR	3004194070001	7/2006
KR	3004349000000	12/2006
KR	3005021660000	8/2008
KR	3005075850000	10/2008
TW	D102840	2/2005
TW	D102845	2/2005
TW	D102846	2/2005

(73) Assignee: **Foxsemicon Integrated Technology, Inc.**, Chu-Nan, Miao-Li Hsien (TW)

(**) Term: **14 Years**

* cited by examiner

(21) Appl. No.: **29/330,638**

Primary Examiner—Selina Sikder

(74) *Attorney, Agent, or Firm*—Clifford O. Chi

(22) Filed: **Jan. 12, 2009**

(30) **Foreign Application Priority Data**

Aug. 29, 2008 (CN) 2008 3 0301275

(51) **LOC (9) Cl.** **13-03**

(52) **U.S. Cl.** **D13/180**

(58) **Field of Classification Search** D13/180;
D26/2; 257/79, 80, 81, 88, 89, 95, 98, 99,
257/100; 313/483, 498, 500; 362/555, 800
See application file for complete search history.

(56) **References Cited**

U.S. PATENT DOCUMENTS

D511,329 S *	11/2005	Suenaga	D13/180
D514,073 S *	1/2006	Suenaga	D13/180
D563,333 S *	3/2008	Kim	D13/180
D570,796 S *	6/2008	Kim	D13/180
D573,114 S *	7/2008	Min et al.	D13/180
D592,160 S *	5/2009	Kang et al.	D13/180

(57) **CLAIM**

The ornamental design for a light-emitting diode substrate, as shown and described.

DESCRIPTION

FIG. 1 is a perspective view of a light-emitting diode substrate showing our new design.

FIG. 2 is a front elevational view thereof.

FIG. 3 is a rear elevational view thereof.

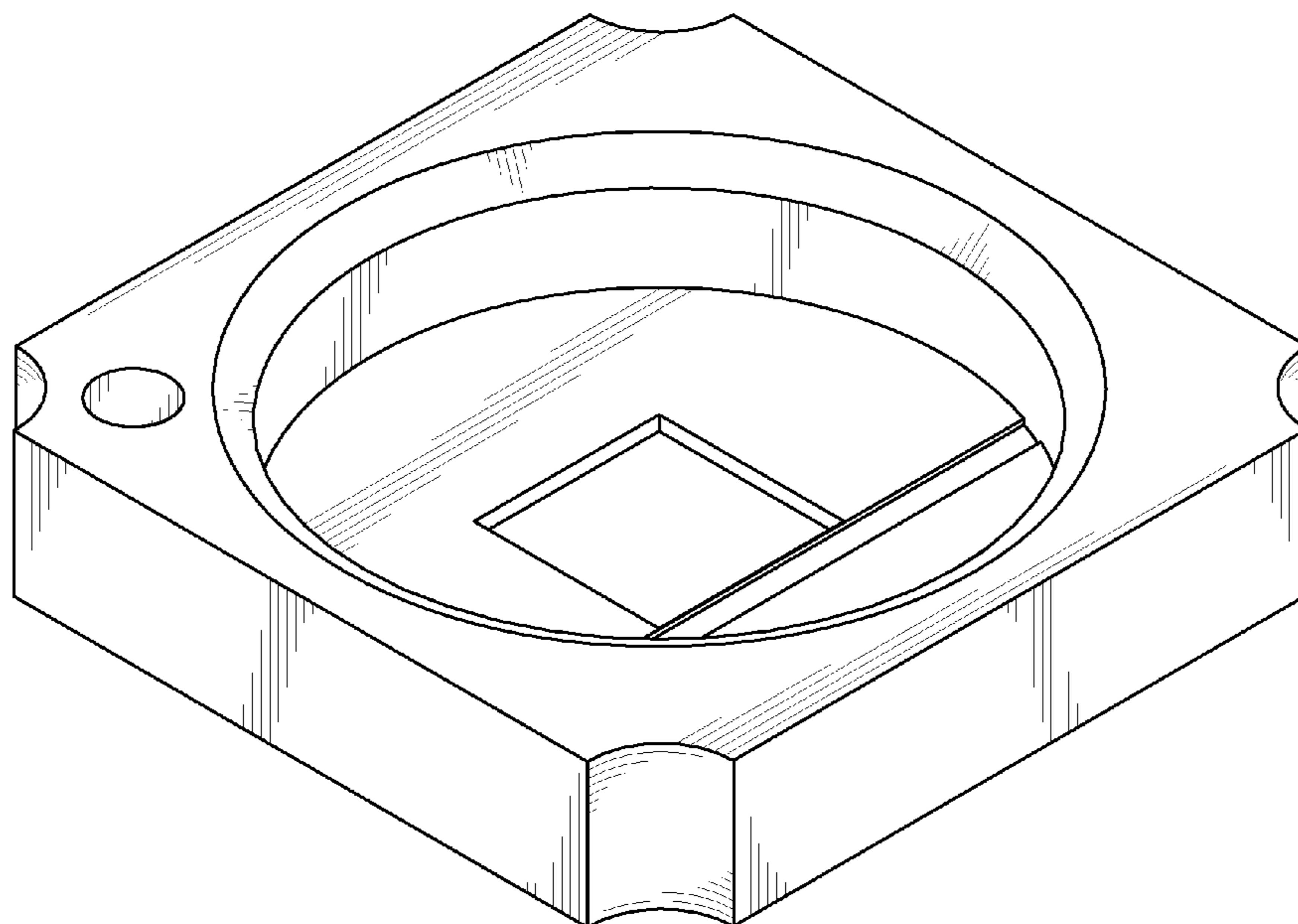
FIG. 4 is a left-side, elevational view thereof.

FIG. 5 is a right-side, elevational view thereof.

FIG. 6 is a top plan view thereof; and,

FIG. 7 is a bottom plan view thereof wherein the broken lines are shown for illustrative purpose only and forms no part of the claimed design.

1 Claim, 7 Drawing Sheets



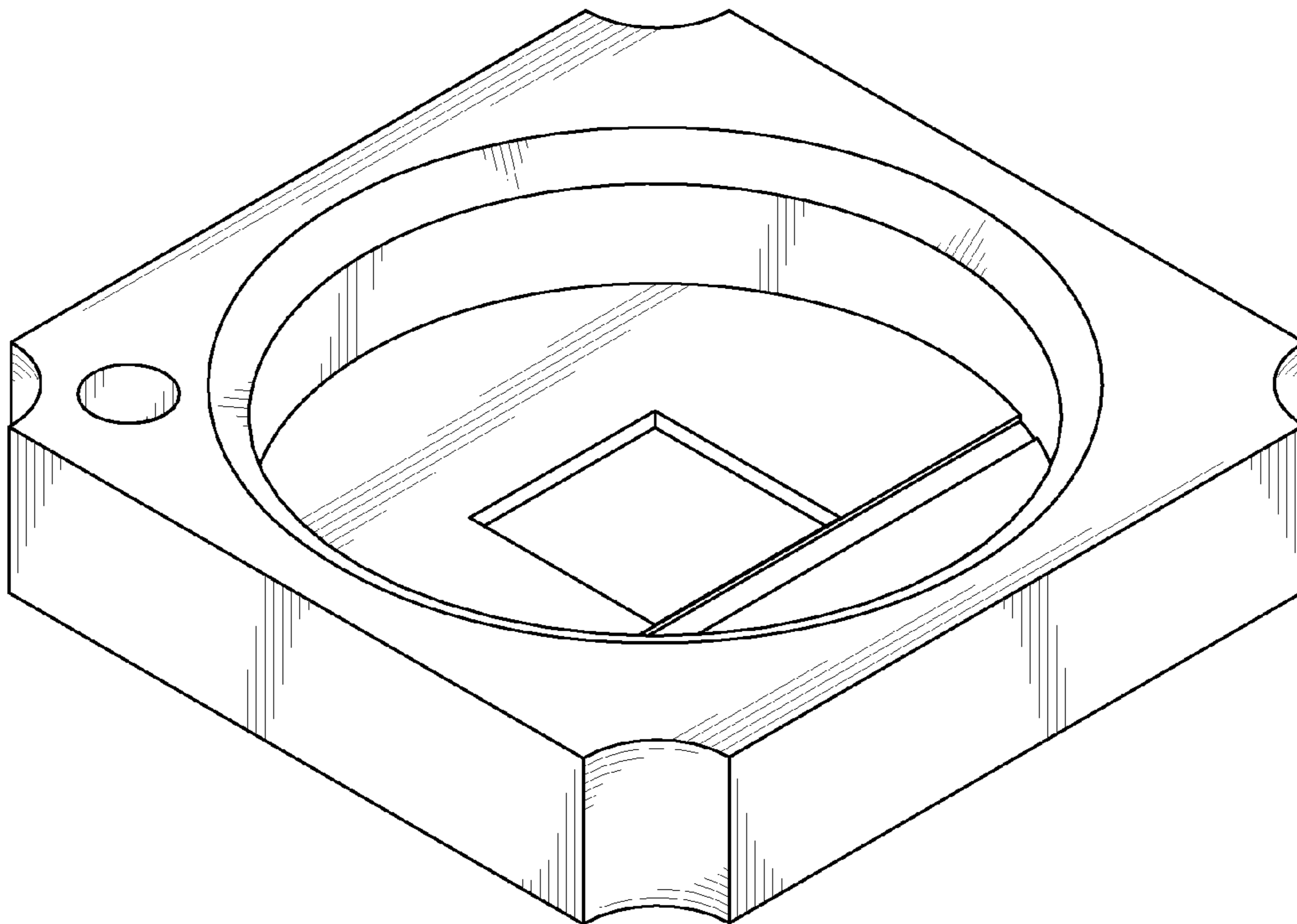


FIG. 1

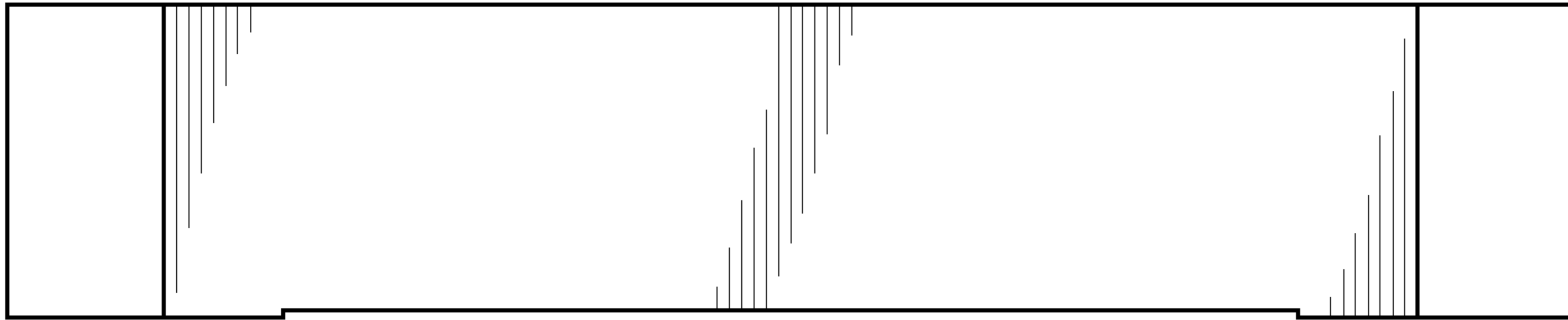


FIG. 2

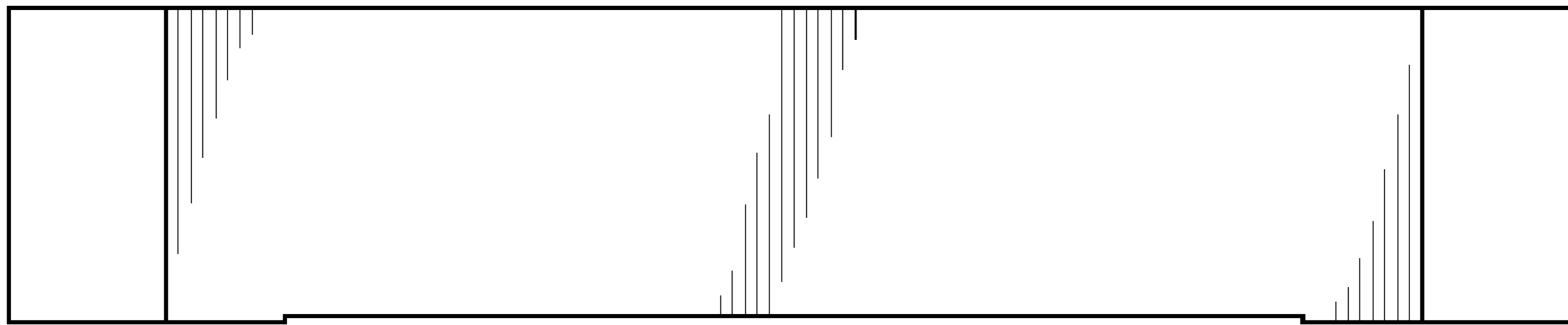


FIG. 3

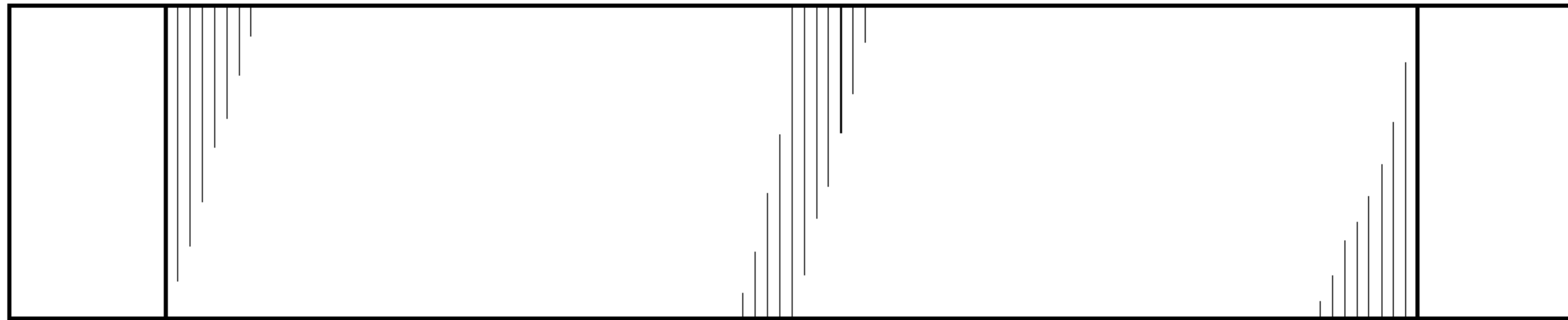


FIG. 4

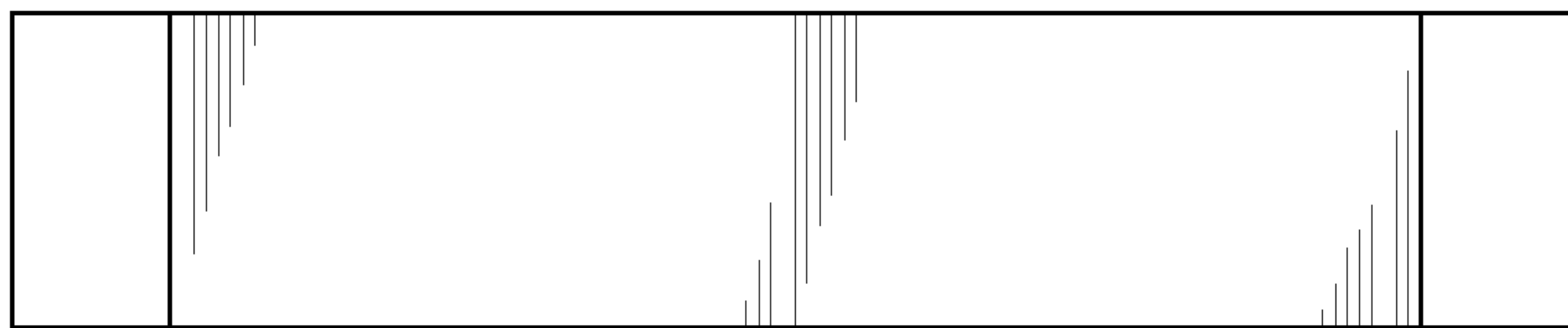


FIG. 5

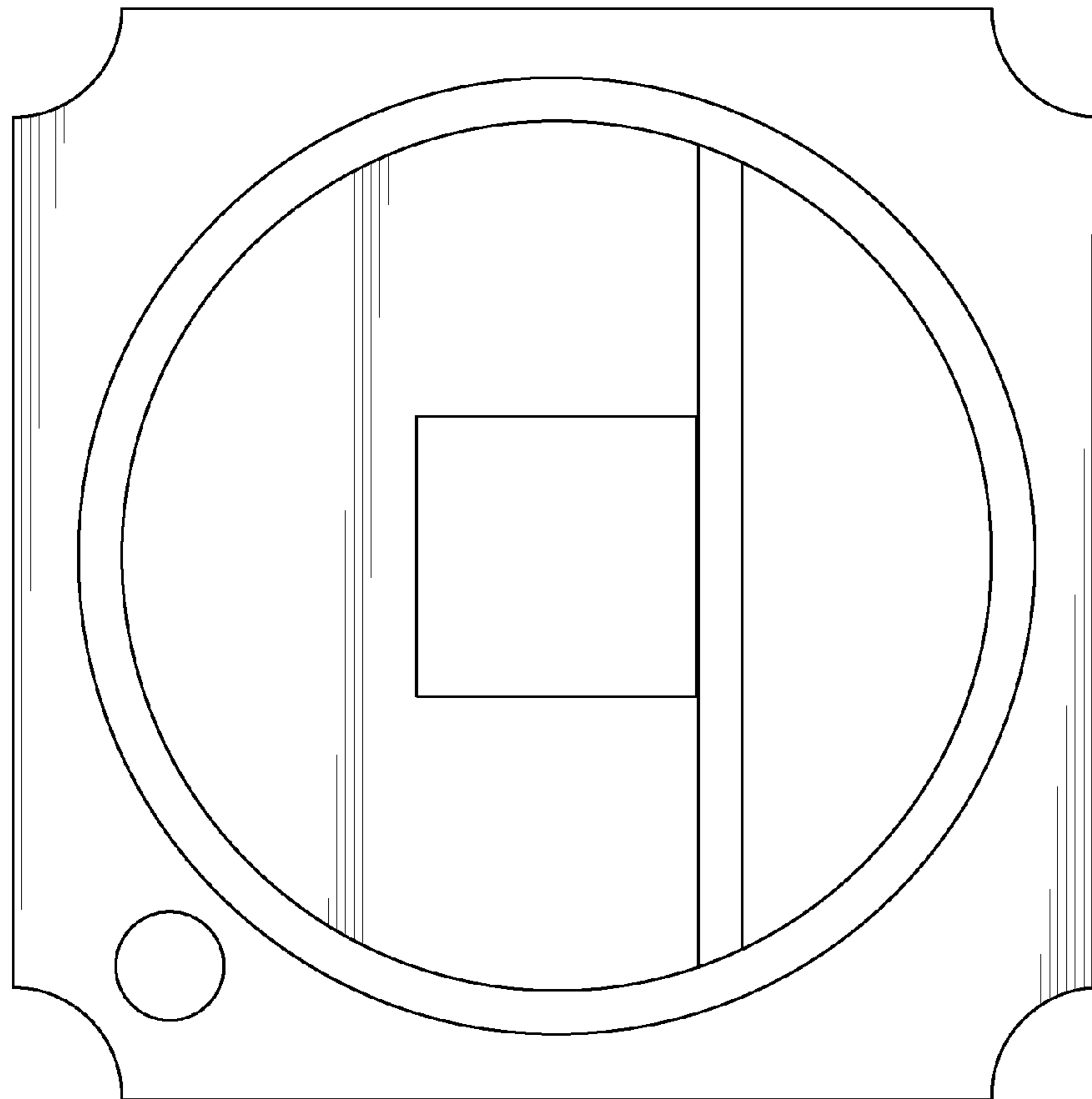


FIG. 6

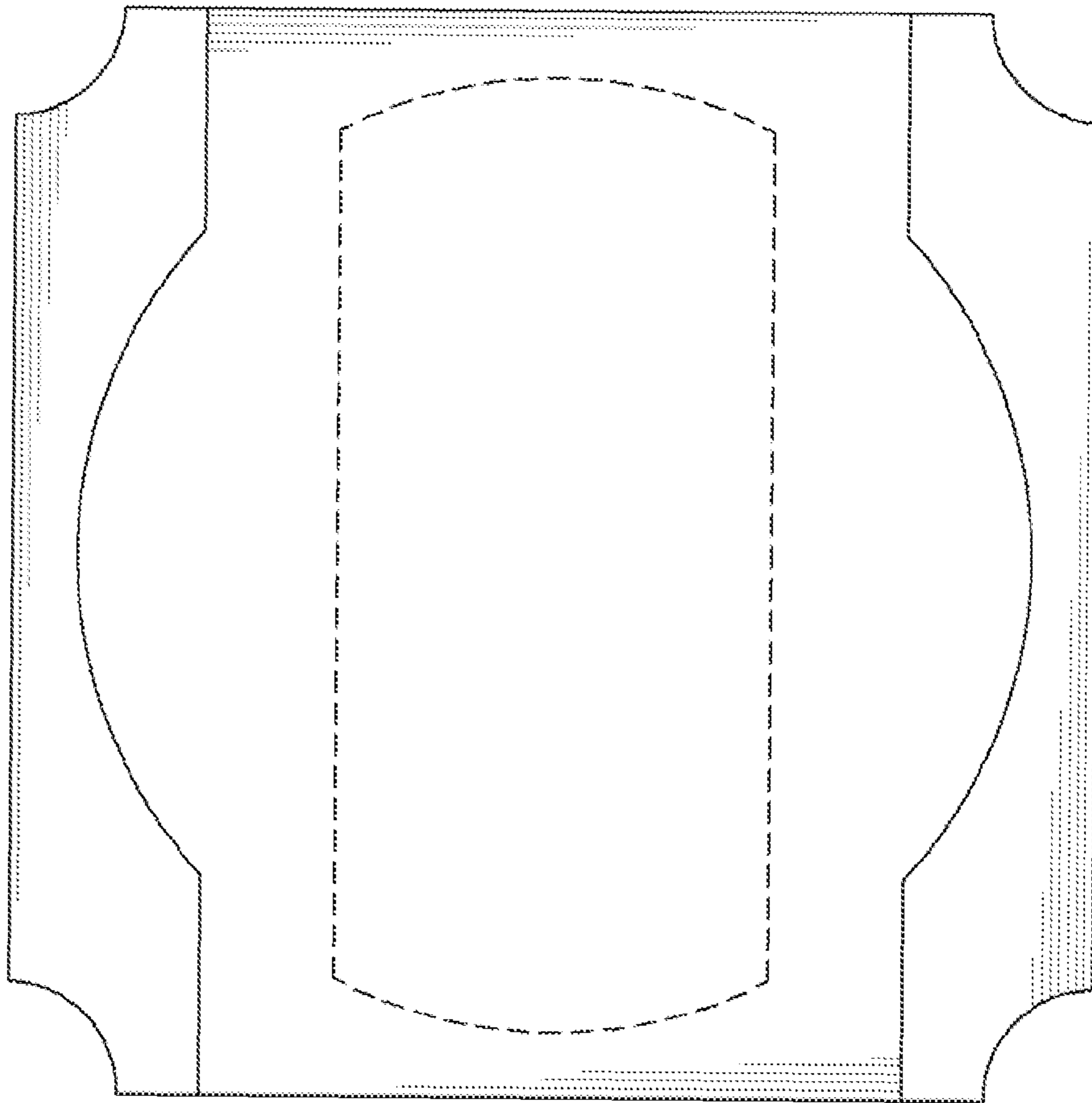


FIG. 7