



US00D621797S

(12) **United States Design Patent**
Huang et al.

(10) **Patent No.:** **US D621,797 S**

(45) **Date of Patent:** **** Aug. 17, 2010**

(54) **HEAT DISSIPATION APPARATUS**

(75) Inventors: **Zheng-Jay Huang**, Miao-Li Hsien
(TW); **Rong-Yih Yan**, Miao-Li Hsien
(TW); **Hong-Bin Yang**, Miao-Li Hsien
(TW)

(73) Assignee: **Foxsemicon Integrated Technology,
Inc.**, Chu-Nan, Miao-Li Hsien (TW)

(**) Term: **14 Years**

(21) Appl. No.: **29/346,667**

(22) Filed: **Nov. 4, 2009**

(30) **Foreign Application Priority Data**

Sep. 11, 2009 (CN) 200930315451

(51) **LOC (9) Cl.** **13-03**

(52) **U.S. Cl.** **D13/179**

(58) **Field of Classification Search** D13/179;
165/80.3, 104.33, 151, 122, 185; 257/706,
257/707, 718-722; 361/687, 695, 697, 700,
361/702, 703, 704, 709, 710, 711, 719
See application file for complete search history.

(56) **References Cited**

U.S. PATENT DOCUMENTS

4,899,210 A * 2/1990 Lorenzetti et al. 257/712

6,025,643 A * 2/2000 Auger 257/706
D471,168 S * 3/2003 Ge et al. D13/184
6,736,204 B2 * 5/2004 Gollan et al. 165/185
6,975,511 B1 * 12/2005 Lebo et al. 361/703
7,371,965 B2 * 5/2008 Ice 174/50
7,529,094 B2 * 5/2009 Miller 361/715
7,539,018 B2 * 5/2009 Murr et al. 361/704
7,593,230 B2 * 9/2009 Abul-Haj et al. 361/710
2008/0066888 A1 * 3/2008 Tong et al. 165/80.3

* cited by examiner

Primary Examiner—Selina Sikder

(74) *Attorney, Agent, or Firm*—Raymond J. Chew

(57) **CLAIM**

The ornamental design for a heat dissipation apparatus, as shown.

DESCRIPTION

FIG. 1 is a perspective view of a heat dissipation apparatus in one operational state.

FIG. 2 is a front elevational view thereof.

FIG. 3 is a rear elevational view thereof.

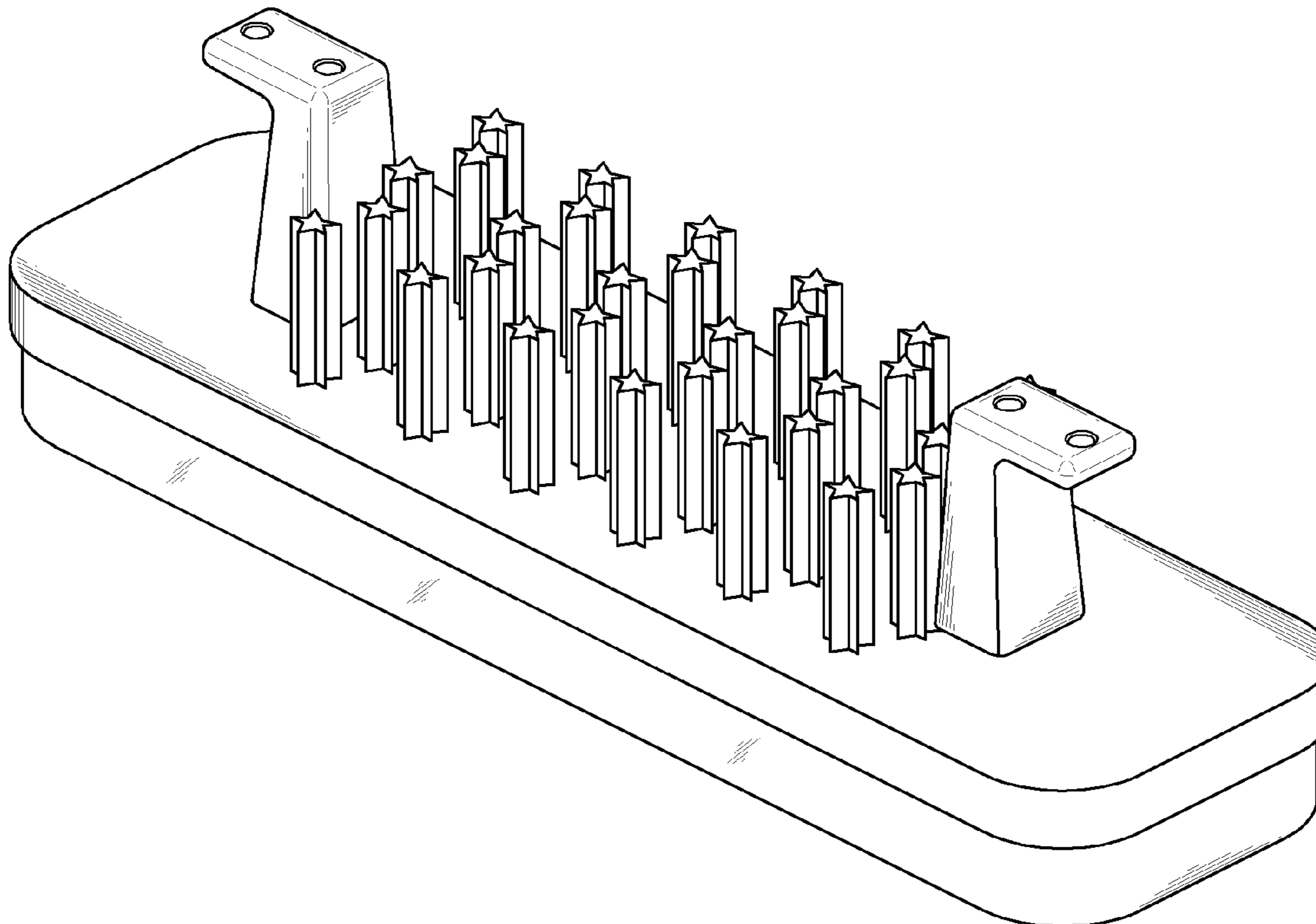
FIG. 4 is a left-side, elevational view thereof.

FIG. 5 is a right-side, elevational view thereof.

FIG. 6 is a top plan view thereof; and,

FIG. 7 is a bottom plan view thereof.

1 Claim, 7 Drawing Sheets



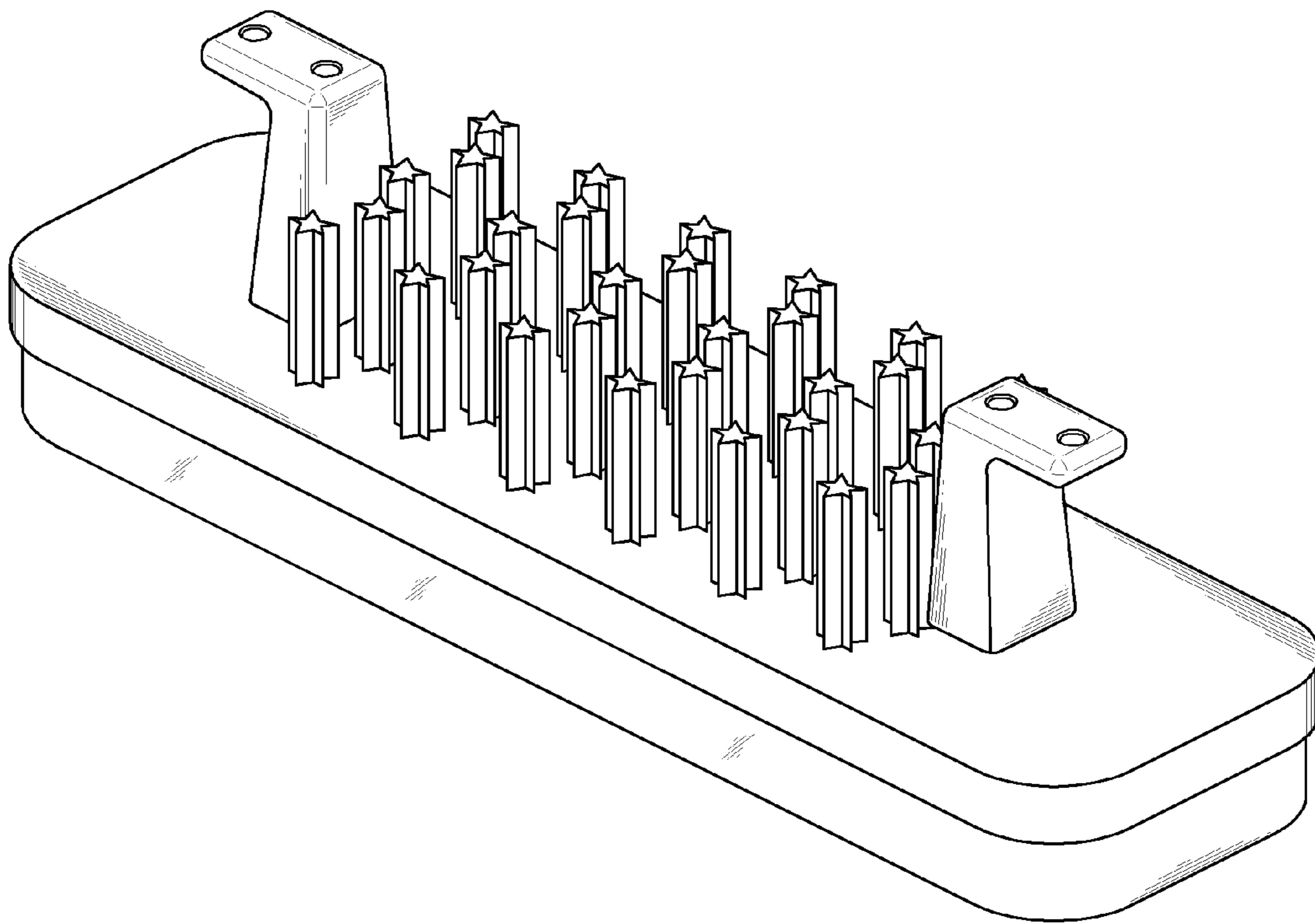


FIG. 1

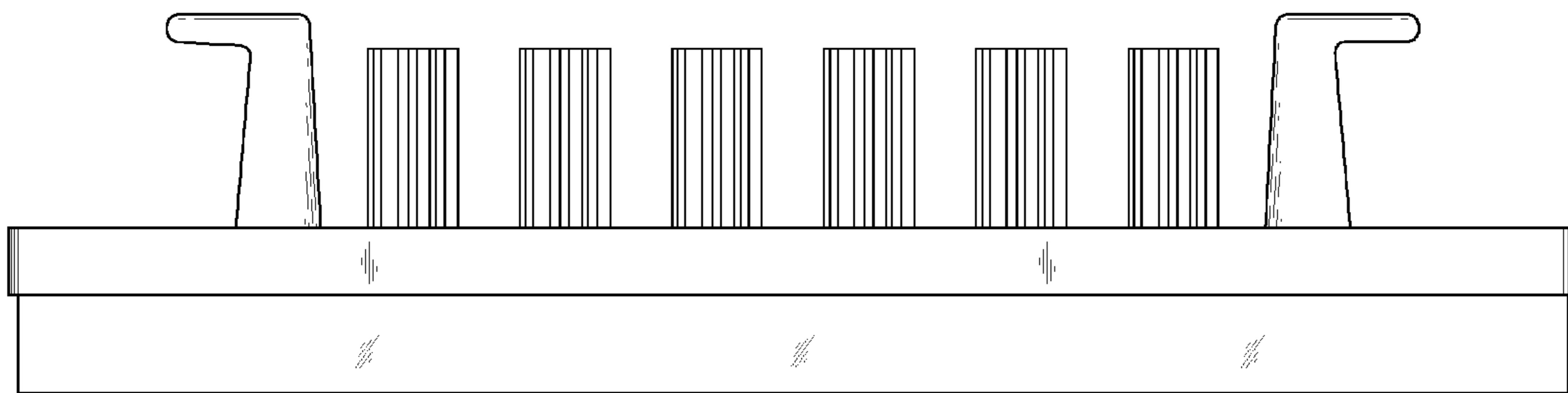


FIG. 2

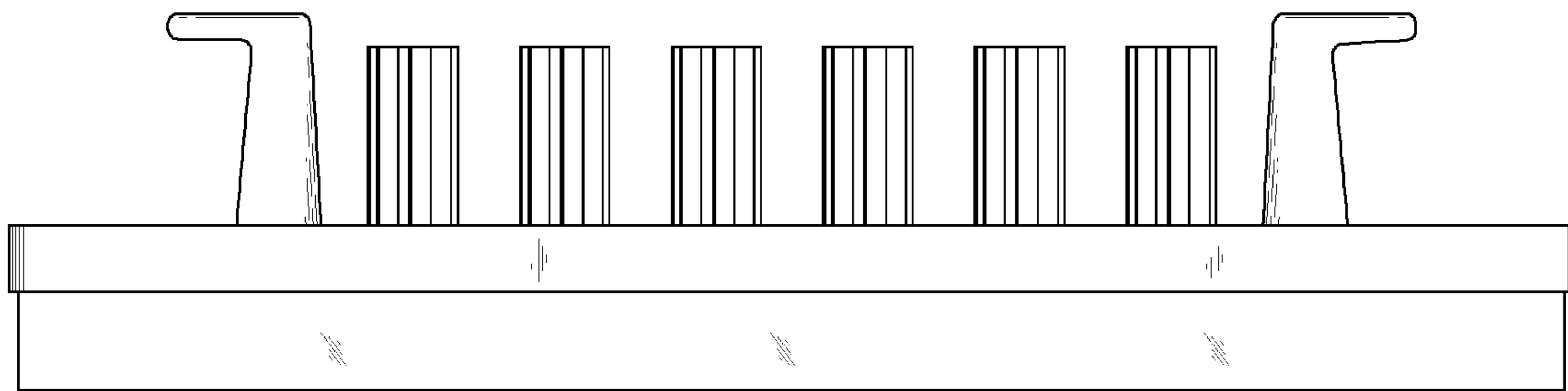


FIG. 3

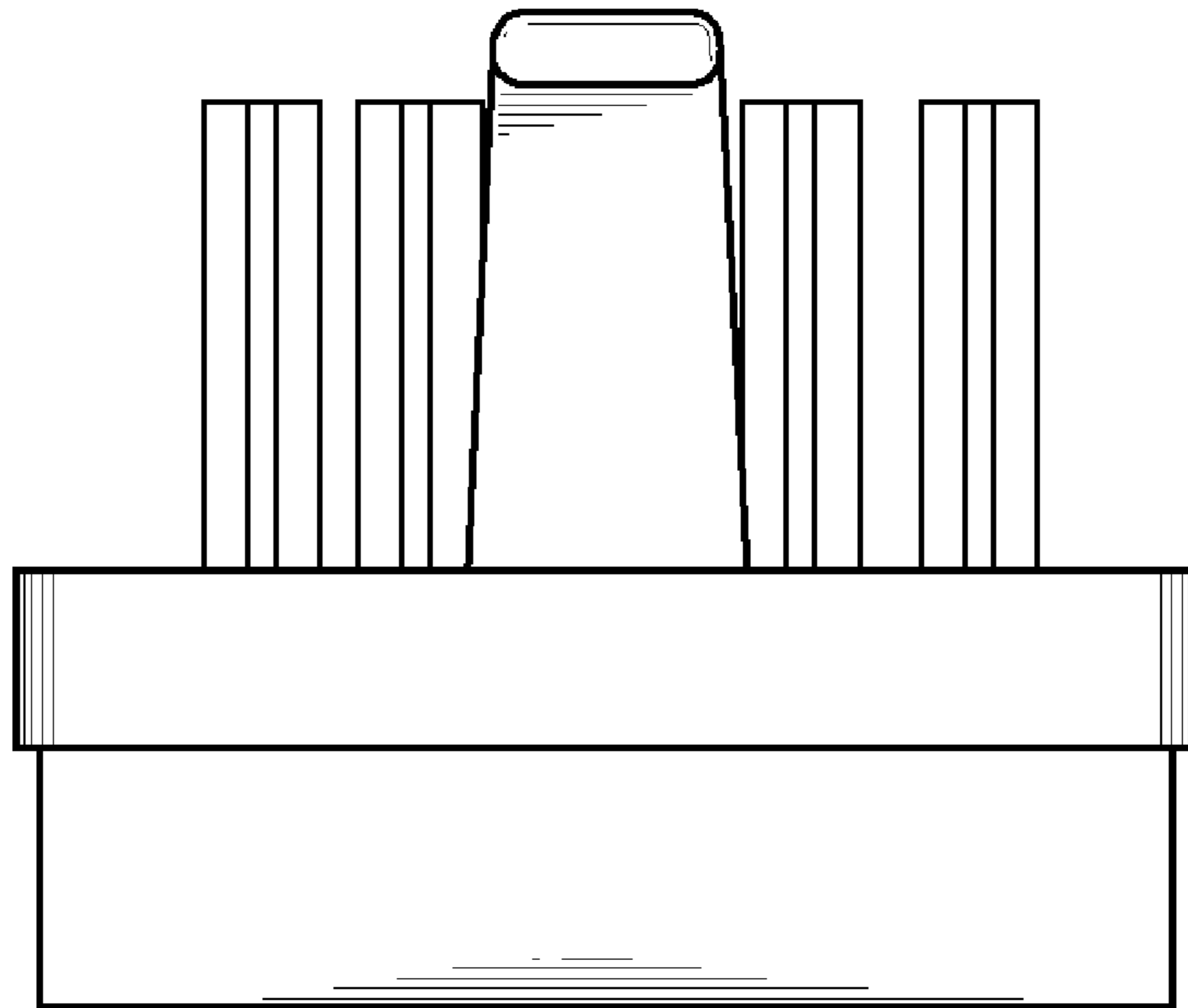


FIG. 4

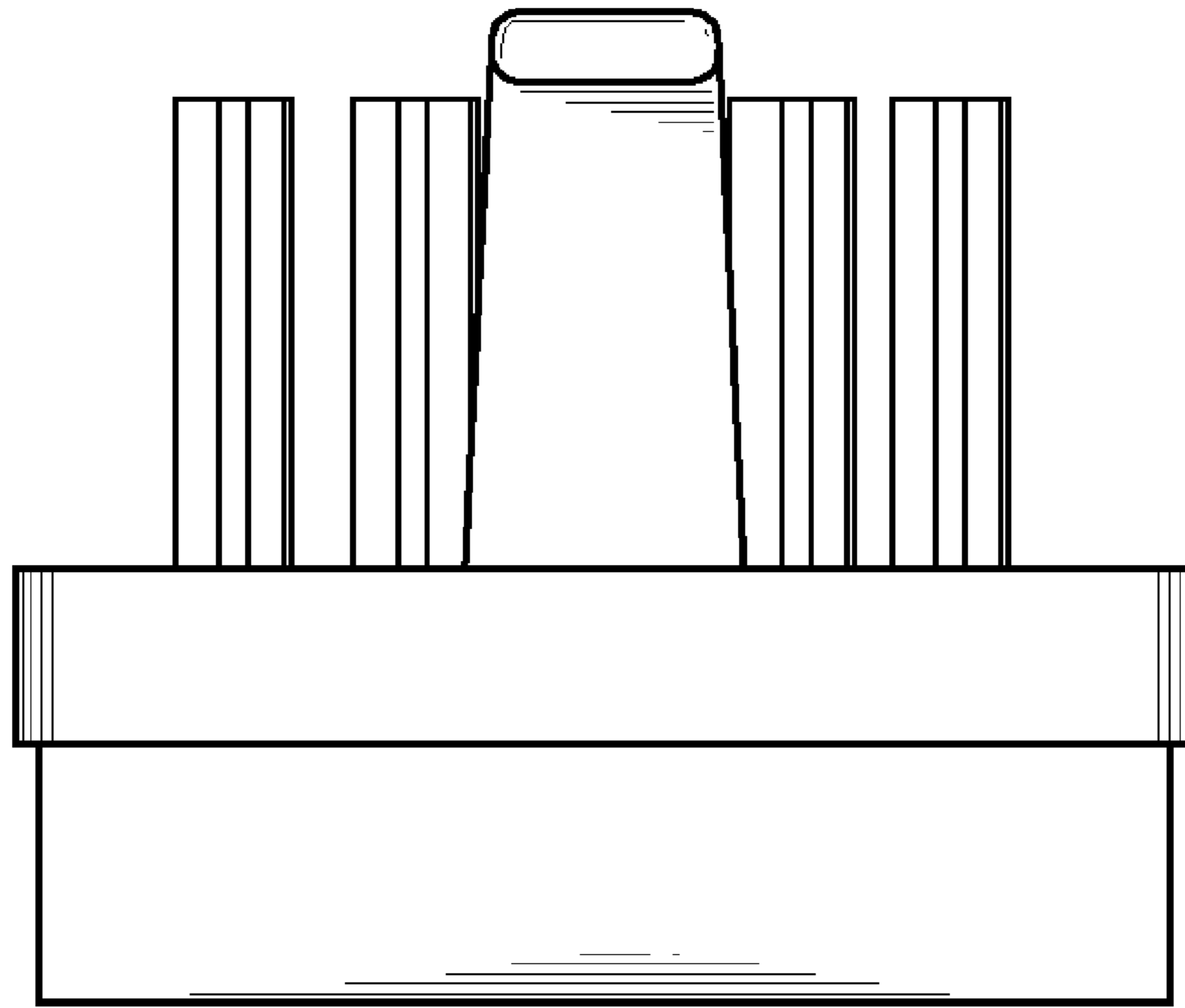


FIG. 5

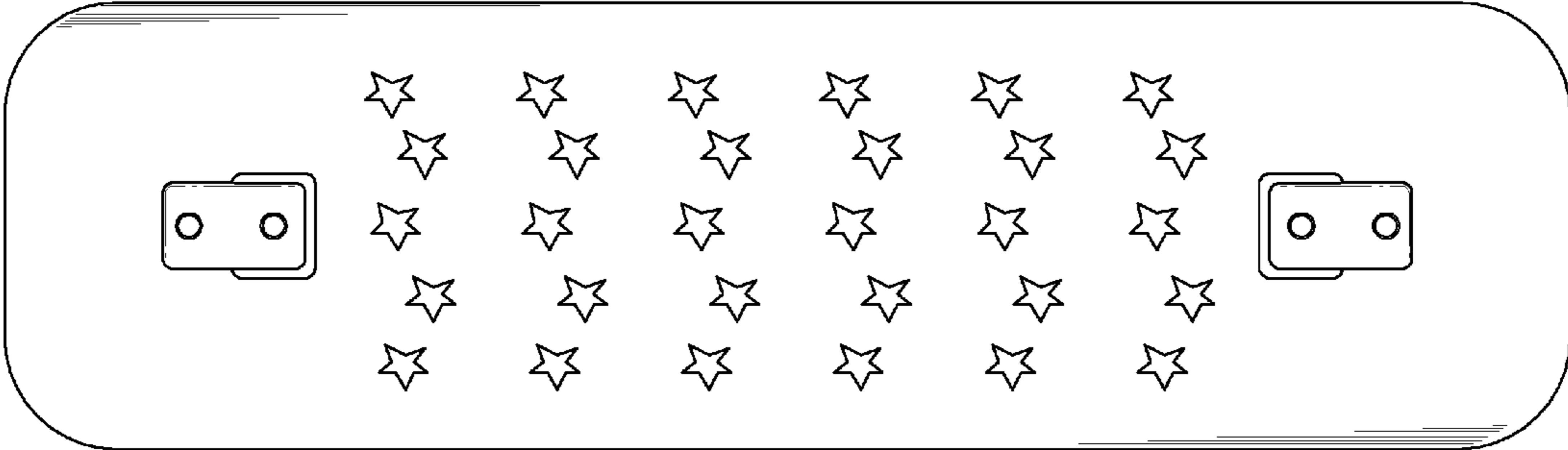


FIG. 6

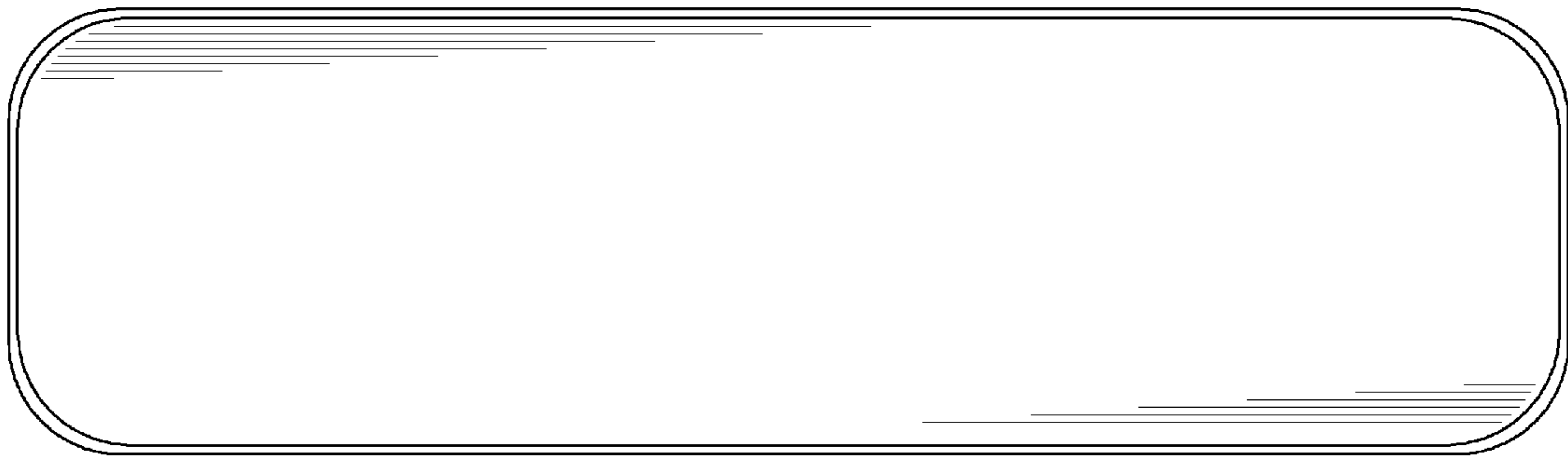


FIG. 7