



US00D621795S

(12) **United States Design Patent**
Tsui et al.

(10) **Patent No.:** **US D621,795 S**

(45) **Date of Patent:** **** Aug. 17, 2010**

(54) **WALL SWITCH**

(76) Inventors: **Gallen K. Leung Tsui**, 17 Sheard Avenue, Brampton, Ontario (CA) L6Y 1J3; **Philip Y. W. Tsui**, Rm. 3B, 13/F, Veristrong Ind. Center, 36 Au Pui Wan Street, Fo Tan, Fo Tan, Hong Kong (HK)

(**) Term: **14 Years**

(21) Appl. No.: **29/350,326**

(22) Filed: **Nov. 13, 2009**

Related U.S. Application Data

(62) Division of application No. 29/329,566, filed on Dec. 17, 2008.

(51) **LOC (9) Cl.** **13-03**

(52) **U.S. Cl.** **D13/171**

(58) **Field of Classification Search** D13/171;
174/66; 200/5 R, 5 A, 1 B, 293, 296, 329,
200/406, 513, 520, 530, 302.1, 302.2, 314,
200/315, 341, 344; 315/291-296; 338/198-200
See application file for complete search history.

(56) **References Cited**

U.S. PATENT DOCUMENTS

| | | | | | |
|-----------|------|--------|-------------------|-------|---------|
| 1,230,643 | A * | 6/1917 | Anderson | | 220/241 |
| D197,278 | S * | 1/1964 | Stevenson | | D13/171 |
| 3,185,803 | A * | 5/1965 | Driscoll | | 200/535 |
| D211,950 | S * | 8/1968 | Driscoll | | D13/171 |
| D309,891 | S * | 8/1990 | Cheng | | D13/158 |
| D310,818 | S * | 9/1990 | Zaretsky et al. | | D13/125 |
| D335,283 | S * | 5/1993 | Justiniano et al. | | D13/171 |
| D348,652 | S * | 7/1994 | Reed et al. | | D13/162 |
| 7,087,847 | B2 * | 8/2006 | Parkinson et al. | | 200/5 A |

D595,240 S * 6/2009 Busbridge D13/171

* cited by examiner

Primary Examiner—Selina Sikder

(74) *Attorney, Agent, or Firm*—Dickstein Shapiro LLP

(57) **CLAIM**

The ornamental design for a wall switch, as shown and described.

DESCRIPTION

FIG. 1 is a front view of a wall switch according to one embodiment of our novel design;

FIG. 2 is a front view of a wall switch according to a second embodiment of our novel design;

FIG. 3 is a side view of the embodiment of FIG. 1, taken from the right side thereof;

FIG. 4 is a rear view of each of the embodiments of FIGS. 1-2;

FIG. 5 is a side view of the embodiment of FIG. 1, taken from the left side thereof;

FIG. 6 is a bottom view of each of the embodiments of FIGS. 1-2;

FIG. 7 is a top view of each of the embodiments of FIGS. 1-2;

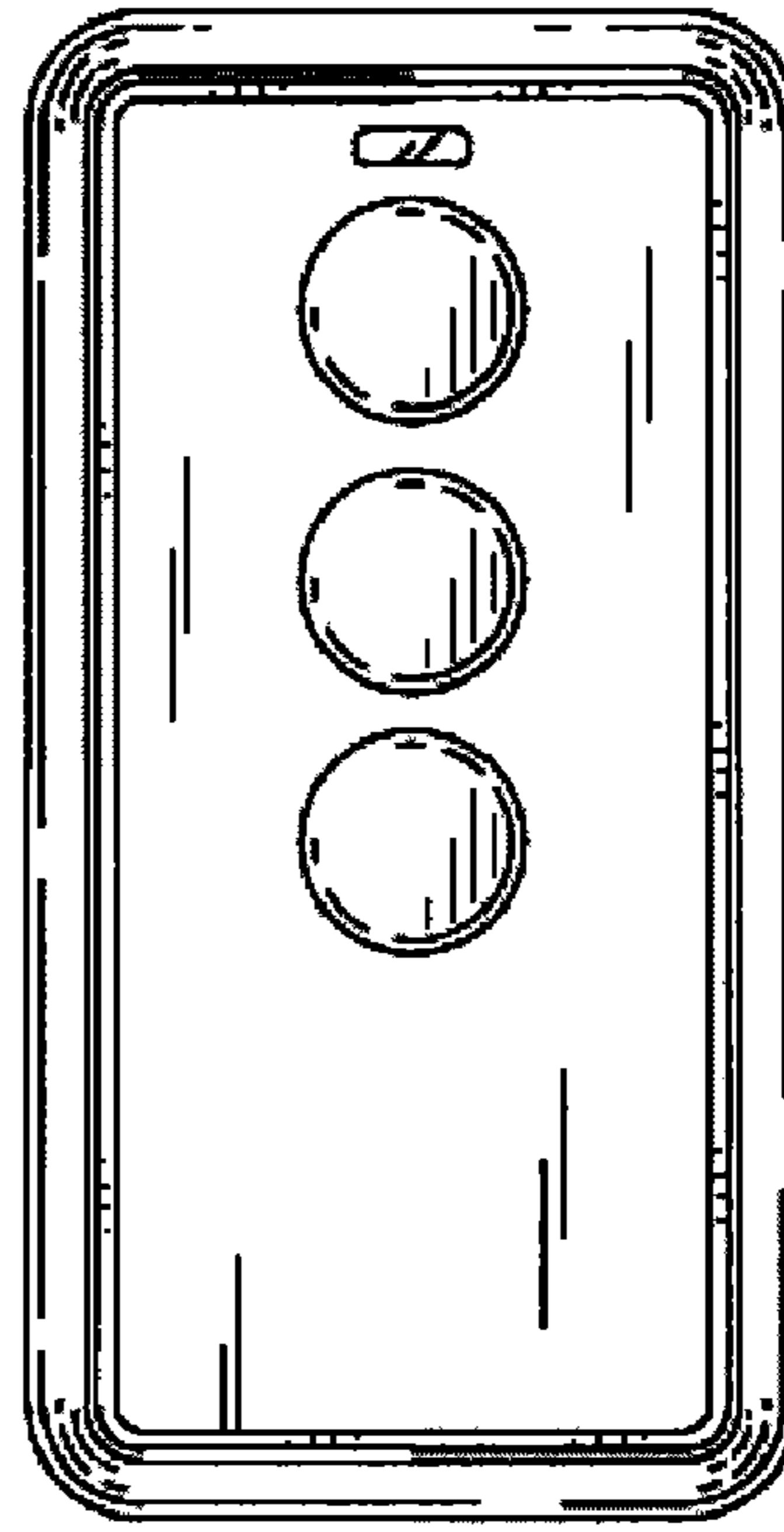
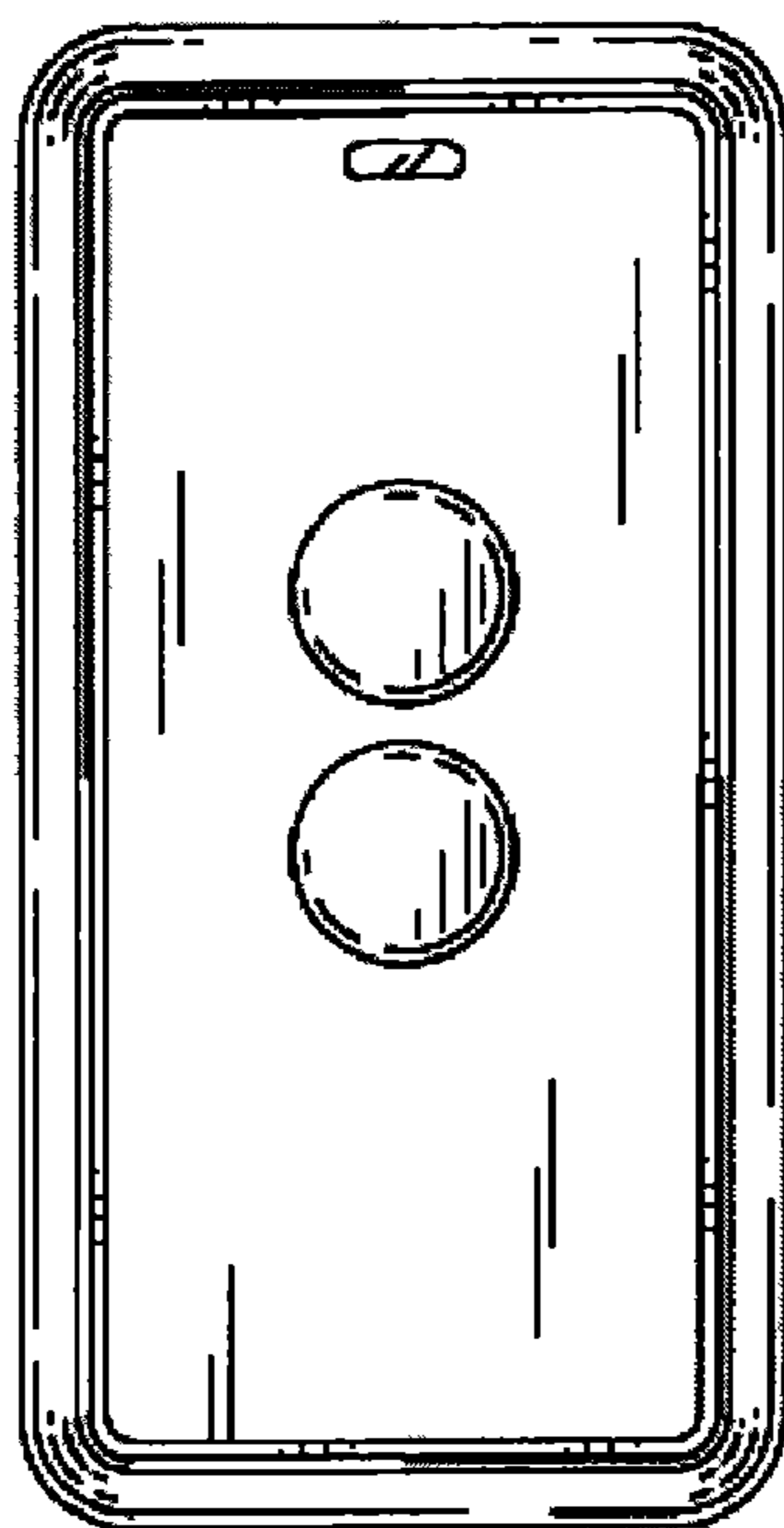
FIG. 8 is a front view of the embodiment of FIG. 1, shown in a possible environment;

FIG. 9 is a front view of the embodiment of FIG. 2, shown in a possible environment; and,

FIG. 10 is a front view of the embodiment of FIG. 2, shown in another possible environment.

The broken lines are for illustrative purposes only and form no part of the claimed design.

1 Claim, 3 Drawing Sheets



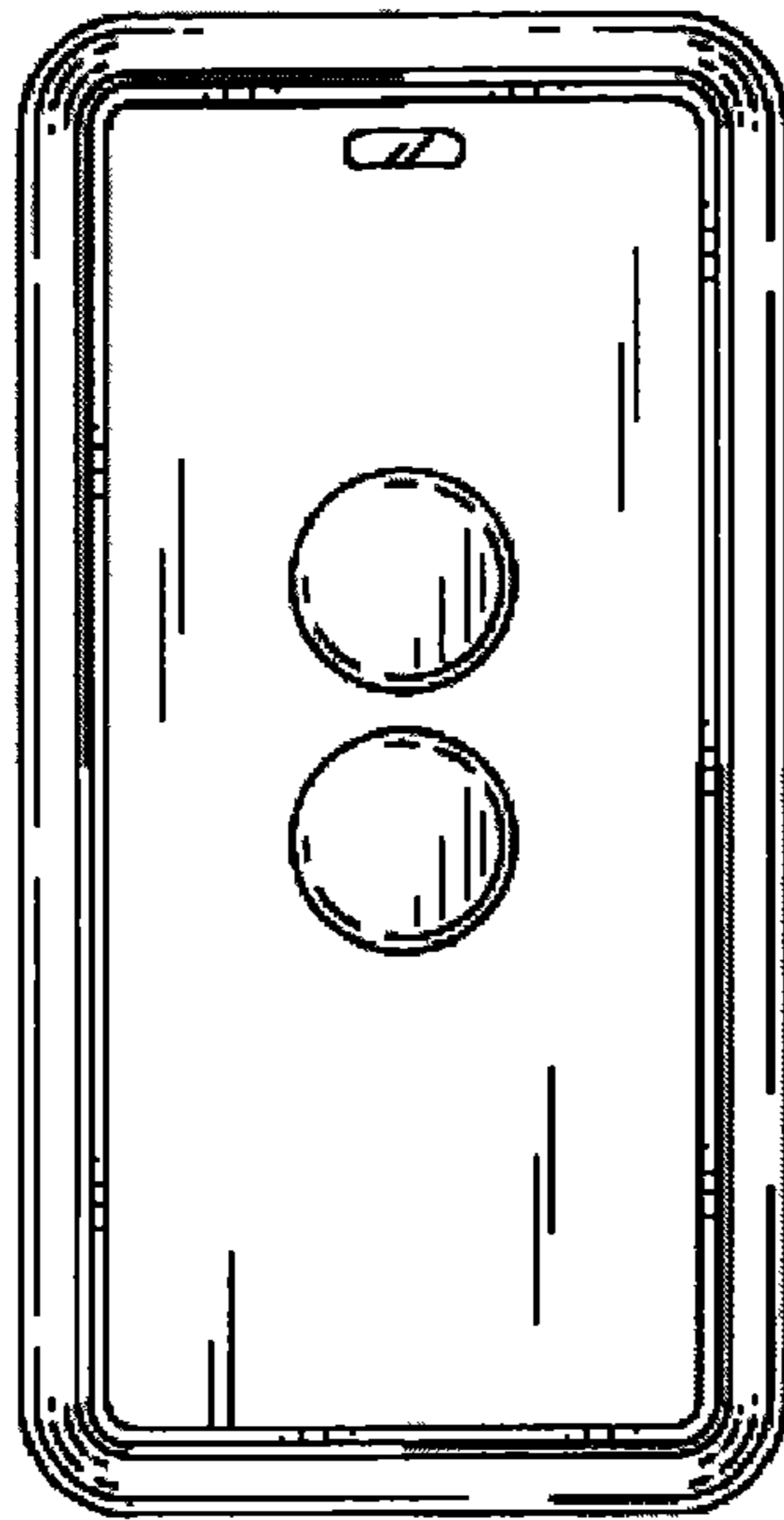


FIG. 1

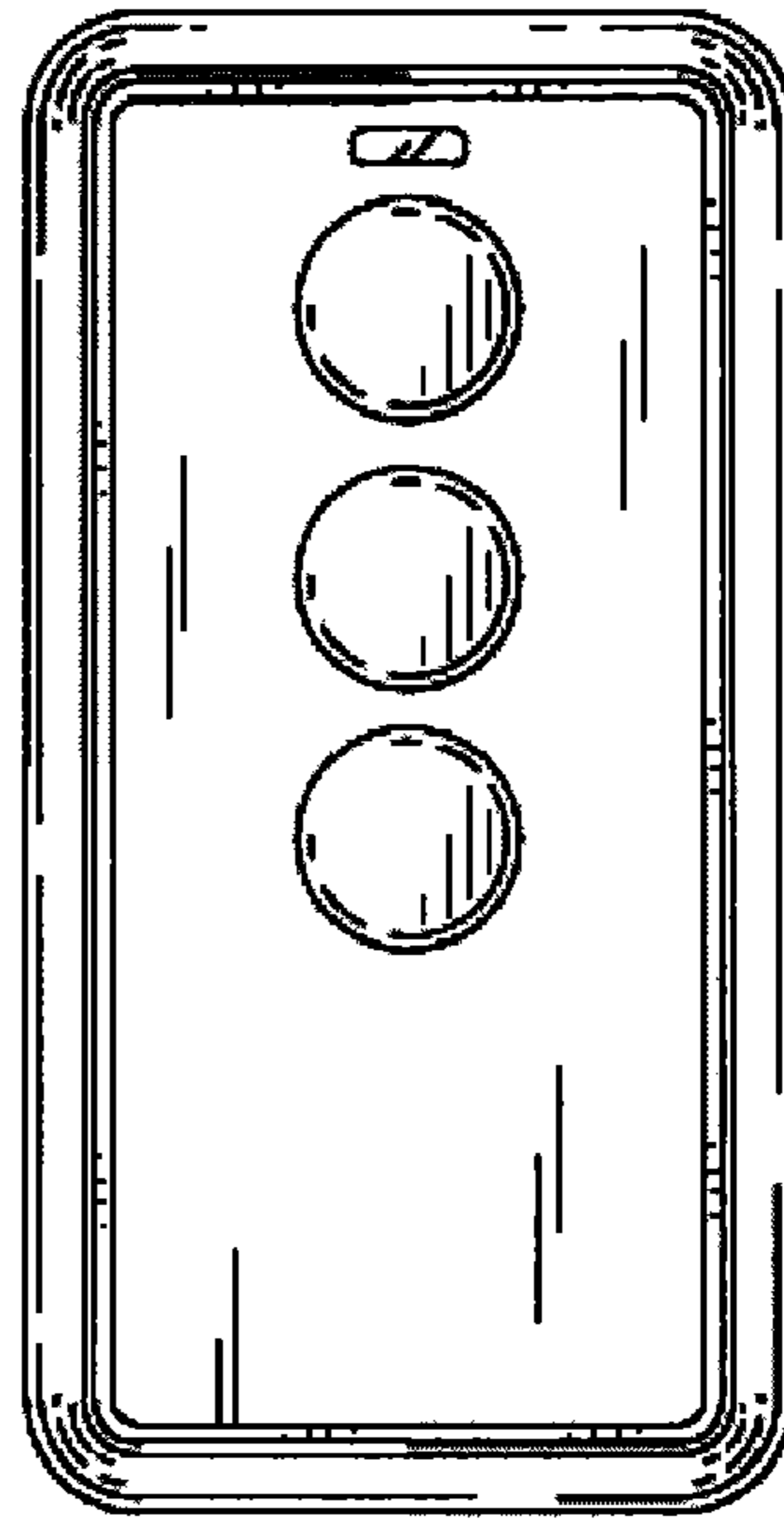


FIG. 2

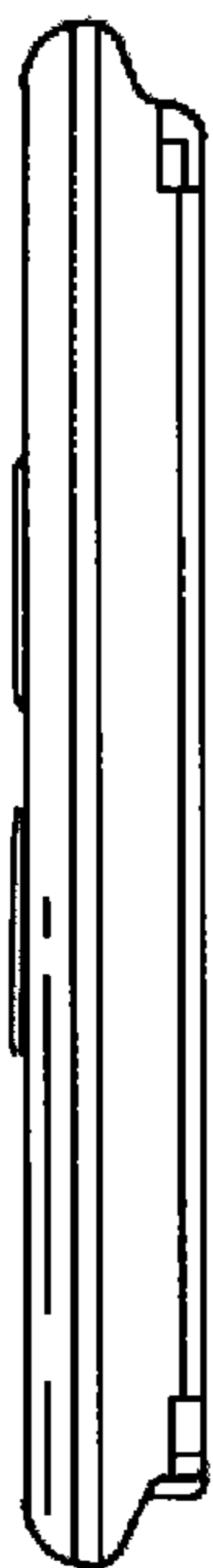


FIG. 3

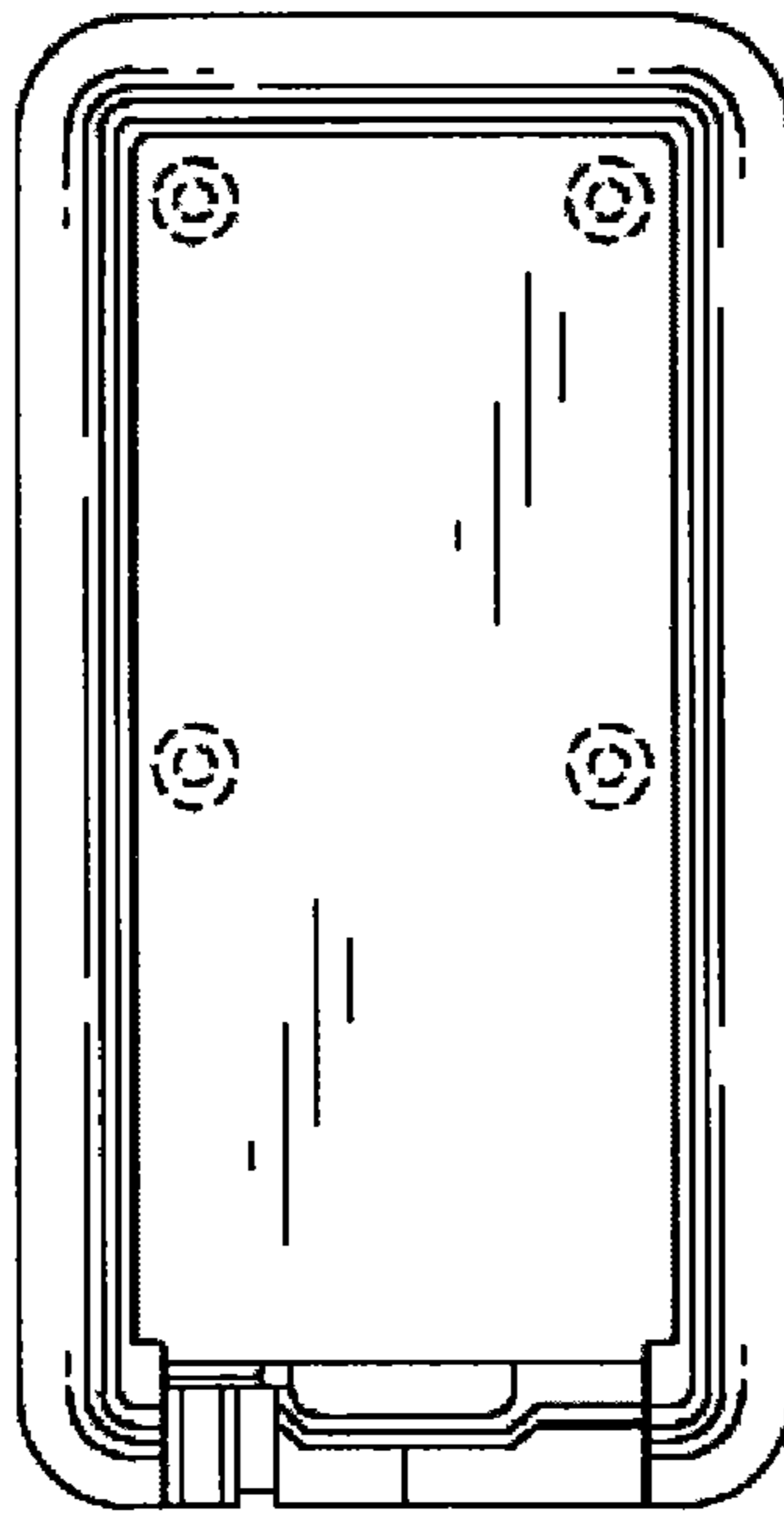


FIG. 4

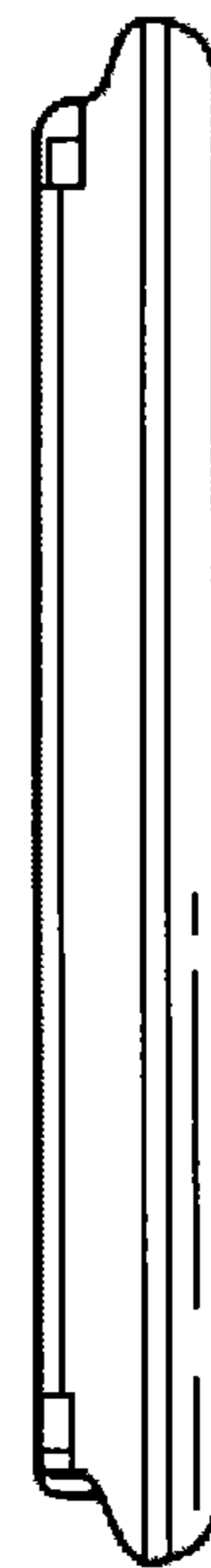


FIG. 5

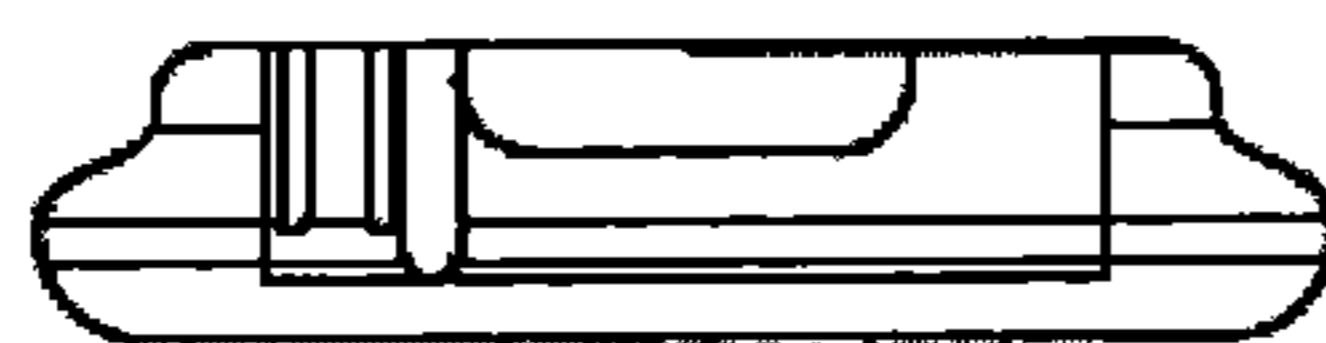


FIG. 6

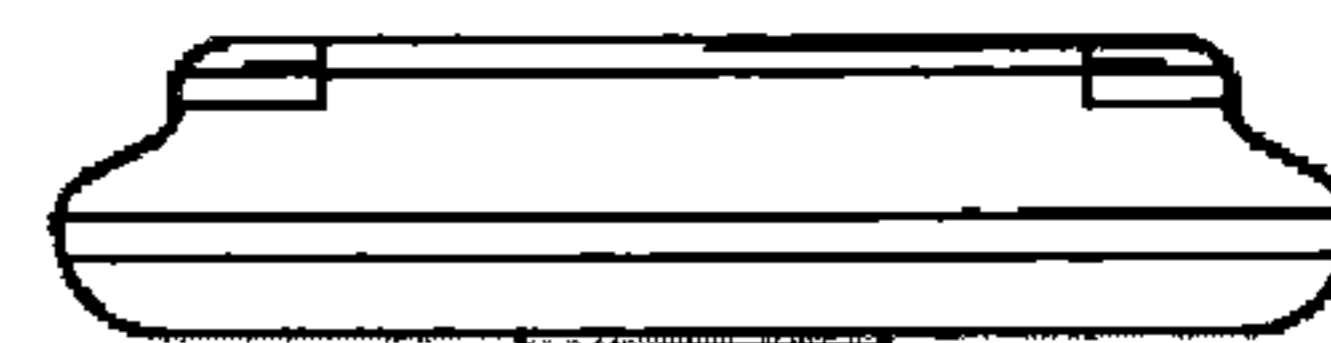


FIG. 7

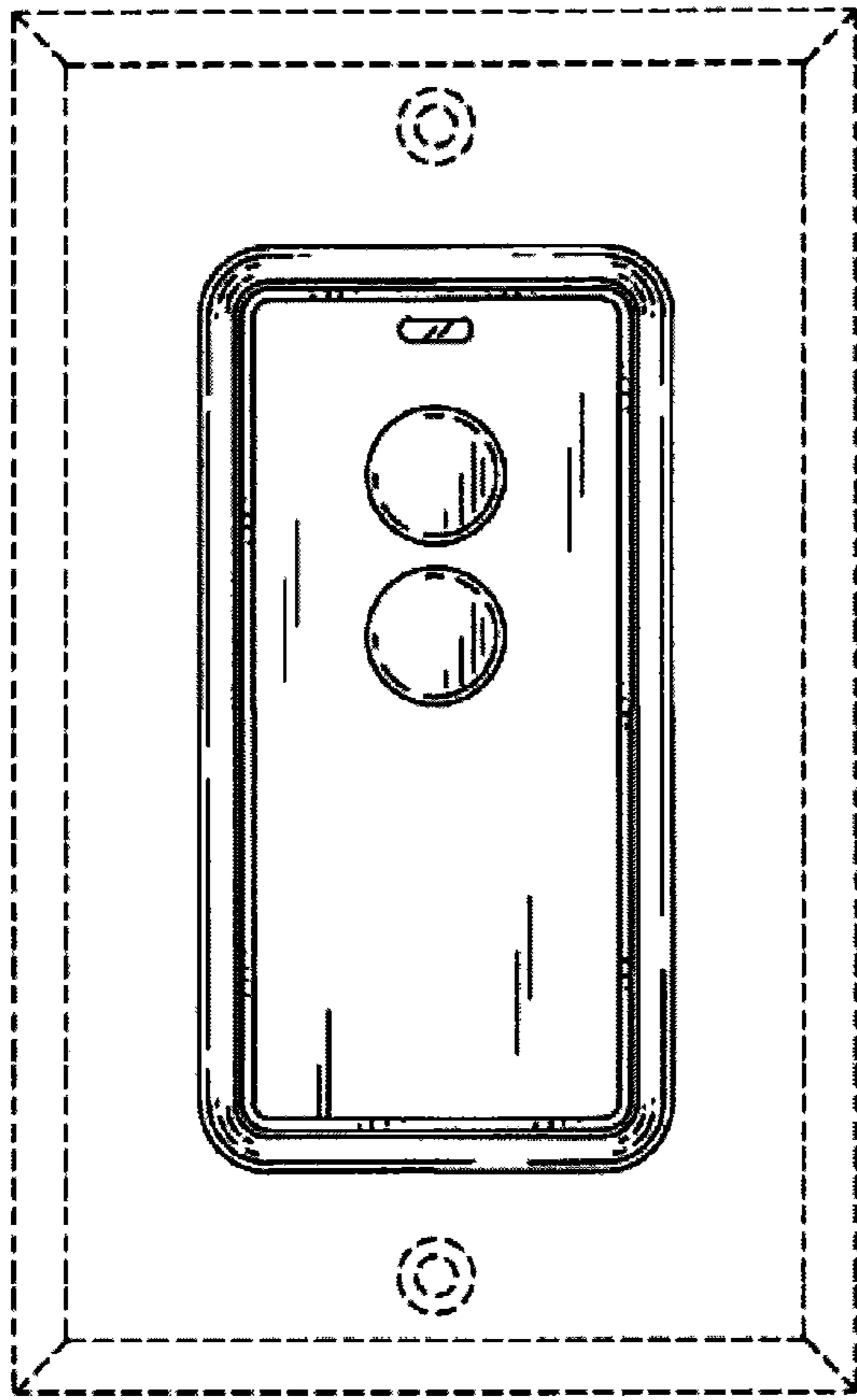


FIG. 8

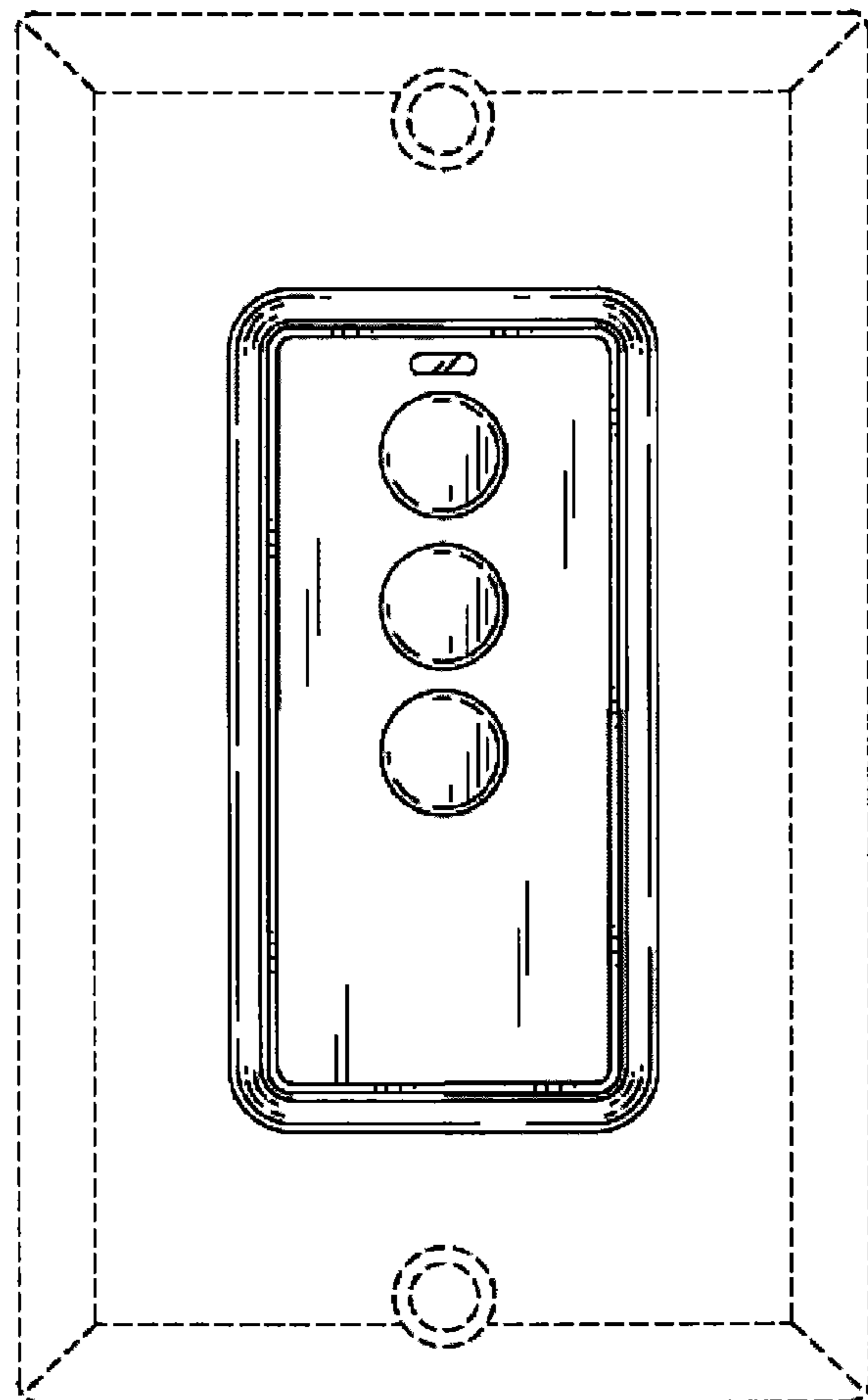


FIG. 9

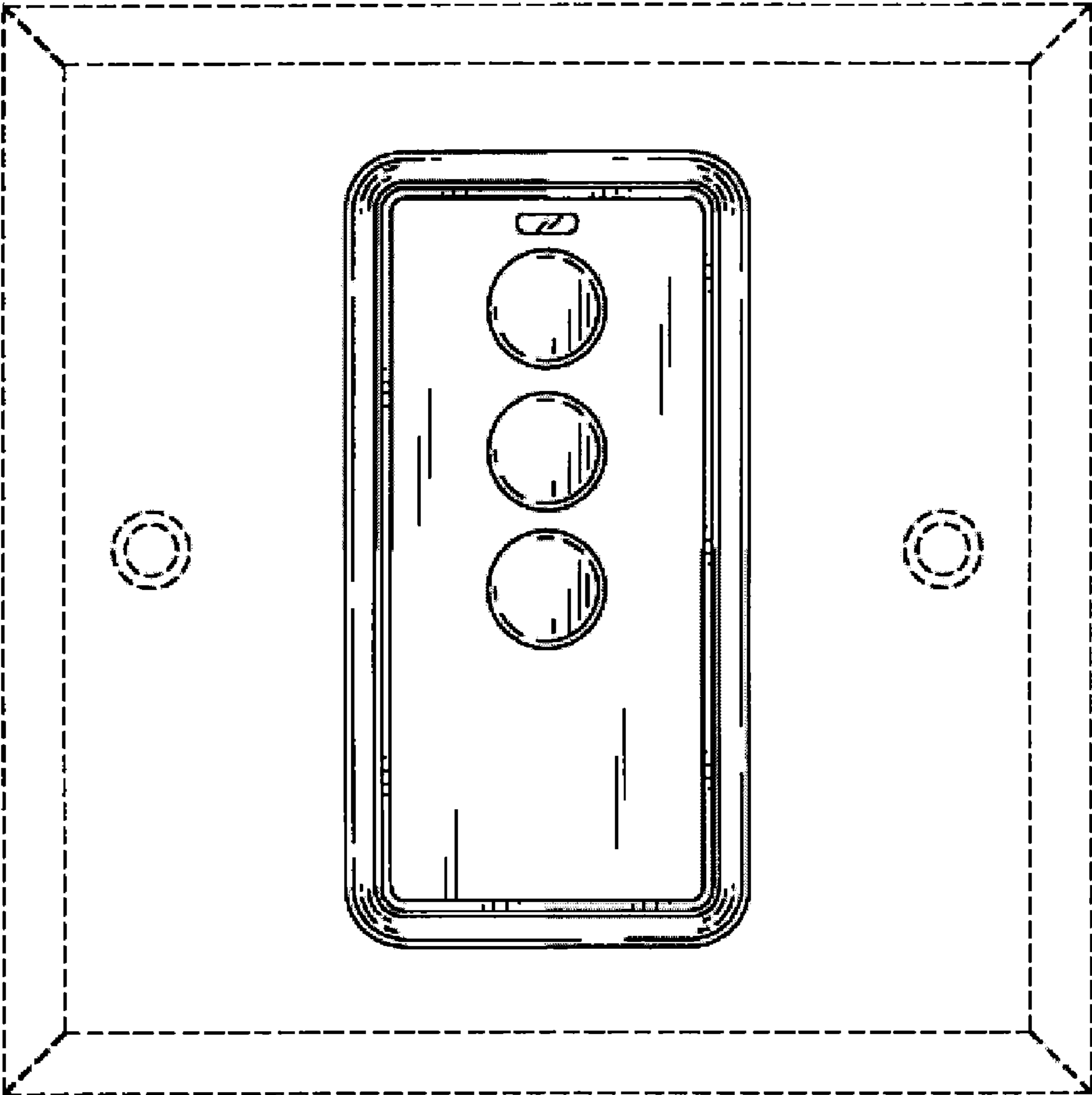


FIG. 10