



US00D621793S

(12) **United States Design Patent**
Nutting et al.

(10) **Patent No.:** **US D621,793 S**

(45) **Date of Patent:** **** *Aug. 17, 2010**

(54) **TEST SWITCH WITH IMPROVED MARKING**

(75) Inventors: **Robert Nutting**, Boynton Beach, FL (US); **Roy Ball**, Coral Springs, FL (US); **Timothy Masters**, Boca Raton, FL (US)

(73) Assignee: **ABB Technology AG**, Zurich (CH)

(*) Notice: This patent is subject to a terminal disclaimer.

(**) Term: **14 Years**

(21) Appl. No.: **29/340,453**

(22) Filed: **Jul. 19, 2009**

(51) **LOC (9) Cl.** **13-03**

(52) **U.S. Cl.** **D13/164**

(58) **Field of Classification Search** D13/158,
D13/162, 164, 169, 184, 199; 29/622; 200/5 A,
200/1 B, 433, 525, 553, 315, 335, 332, 339;
324/418-423, 754; 335/159

See application file for complete search history.

(56) **References Cited**

U.S. PATENT DOCUMENTS

7,302,752 B2 * 12/2007 Ball 29/622
D583,334 S * 12/2008 Ball et al. D13/169
D587,213 S * 2/2009 Ball et al. D13/169

D593,961 S 6/2009 Ball et al.
D595,662 S 7/2009 Ball et al.
7,563,999 B2 * 7/2009 Ball et al. 200/293
2006/0059681 A1 * 3/2006 Ball 29/622
2008/0011589 A1 * 1/2008 Ball et al. 200/5 A

* cited by examiner

Primary Examiner—Daniel D Bui

Assistant Examiner—Thomas J Johannes

(74) *Attorney, Agent, or Firm*—Michael C. Prewitt

(57) **CLAIM**

We claim the ornamental design for a test switch with improved marking, as shown and described.

DESCRIPTION

FIG. 1 is a front and right side perspective view of a test switch with improved marking showing our new design;

FIG. 2 is a rear and right side perspective view thereof;

FIG. 3 is a front elevational view thereof;

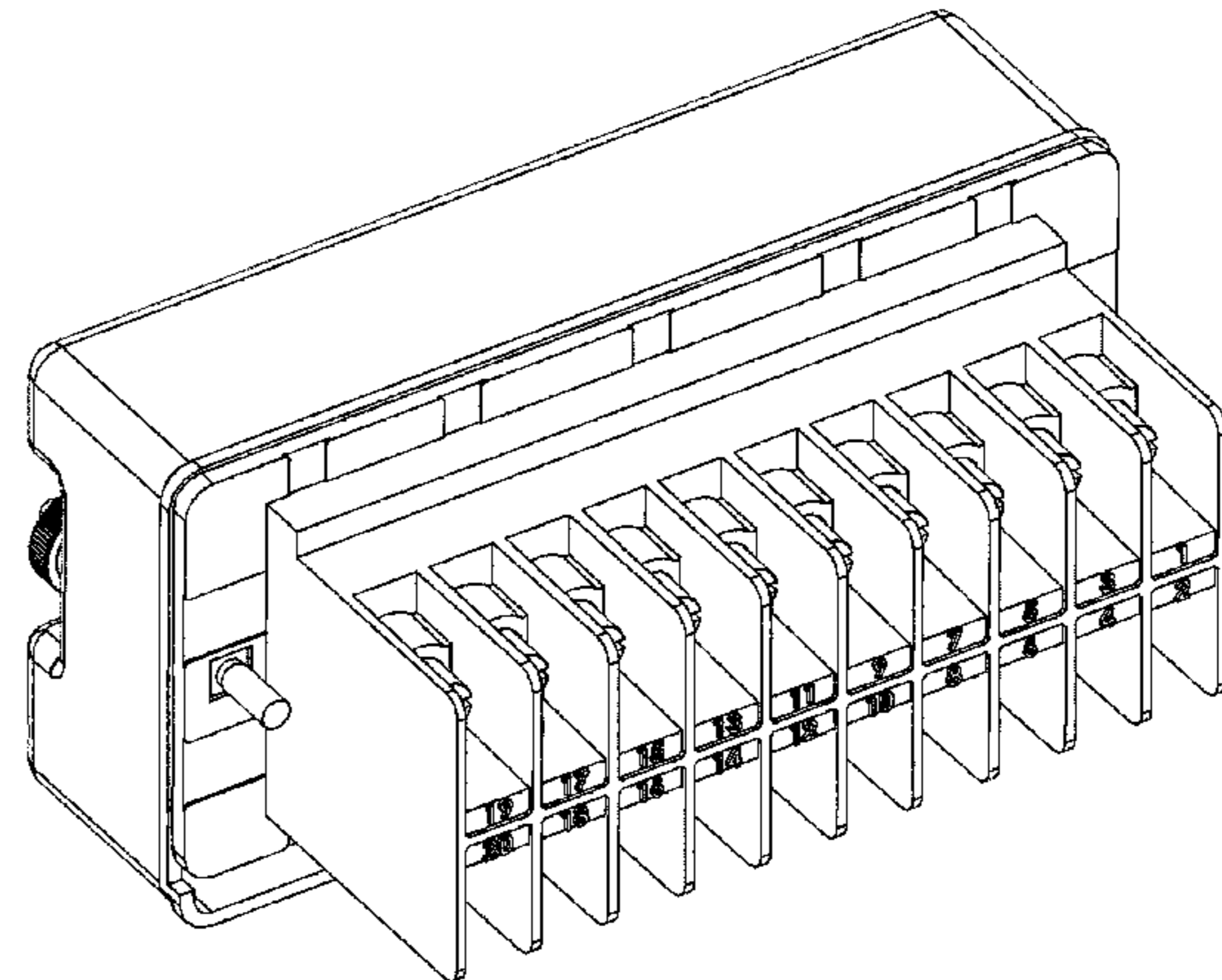
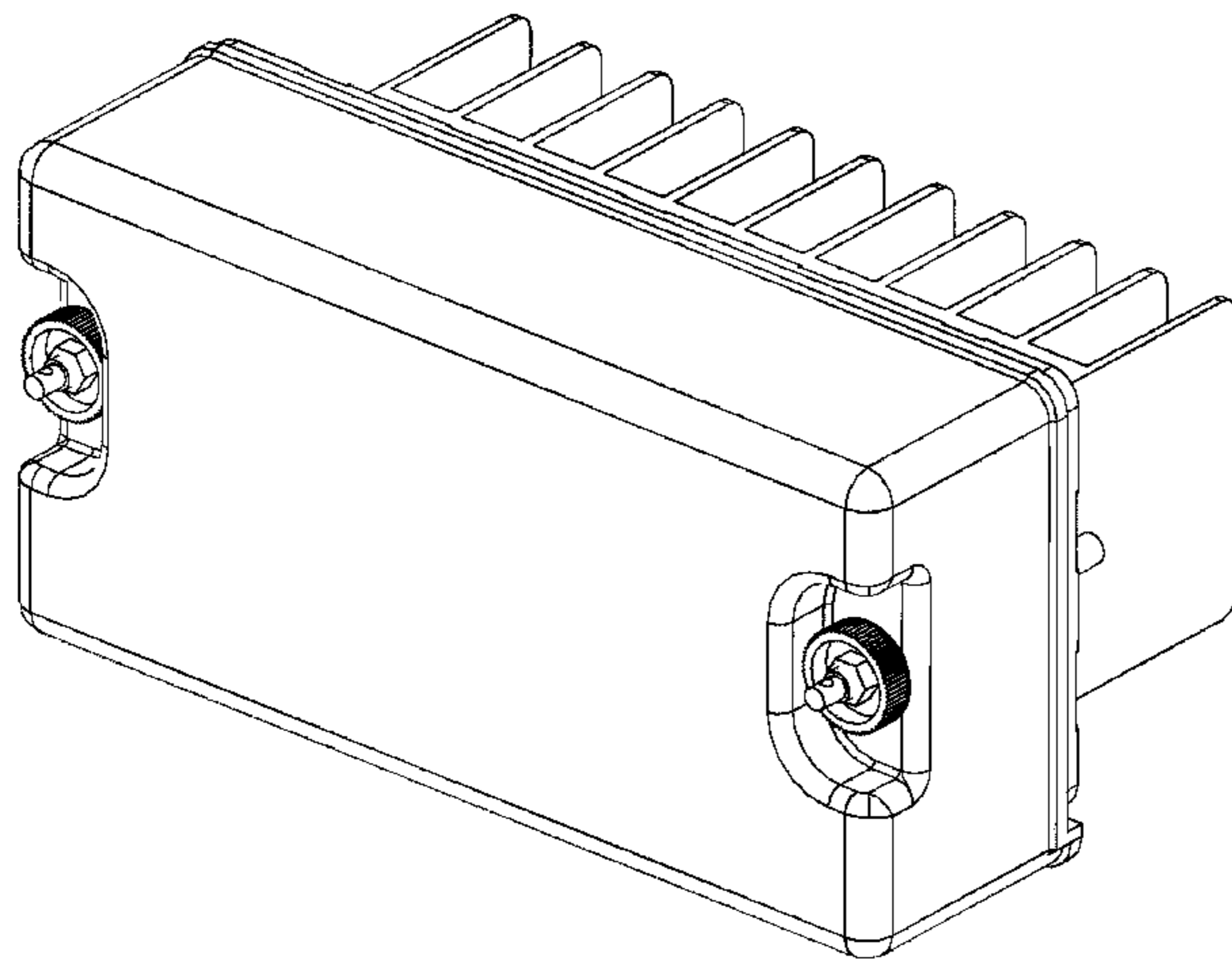
FIG. 4 is a rear elevational view thereof;

FIG. 5 is a left side elevational view thereof, the right side being a mirror image of the left side;

FIG. 6 is a top plan view thereof; and,

FIG. 7 is a bottom plan view thereof.

1 Claim, 7 Drawing Sheets



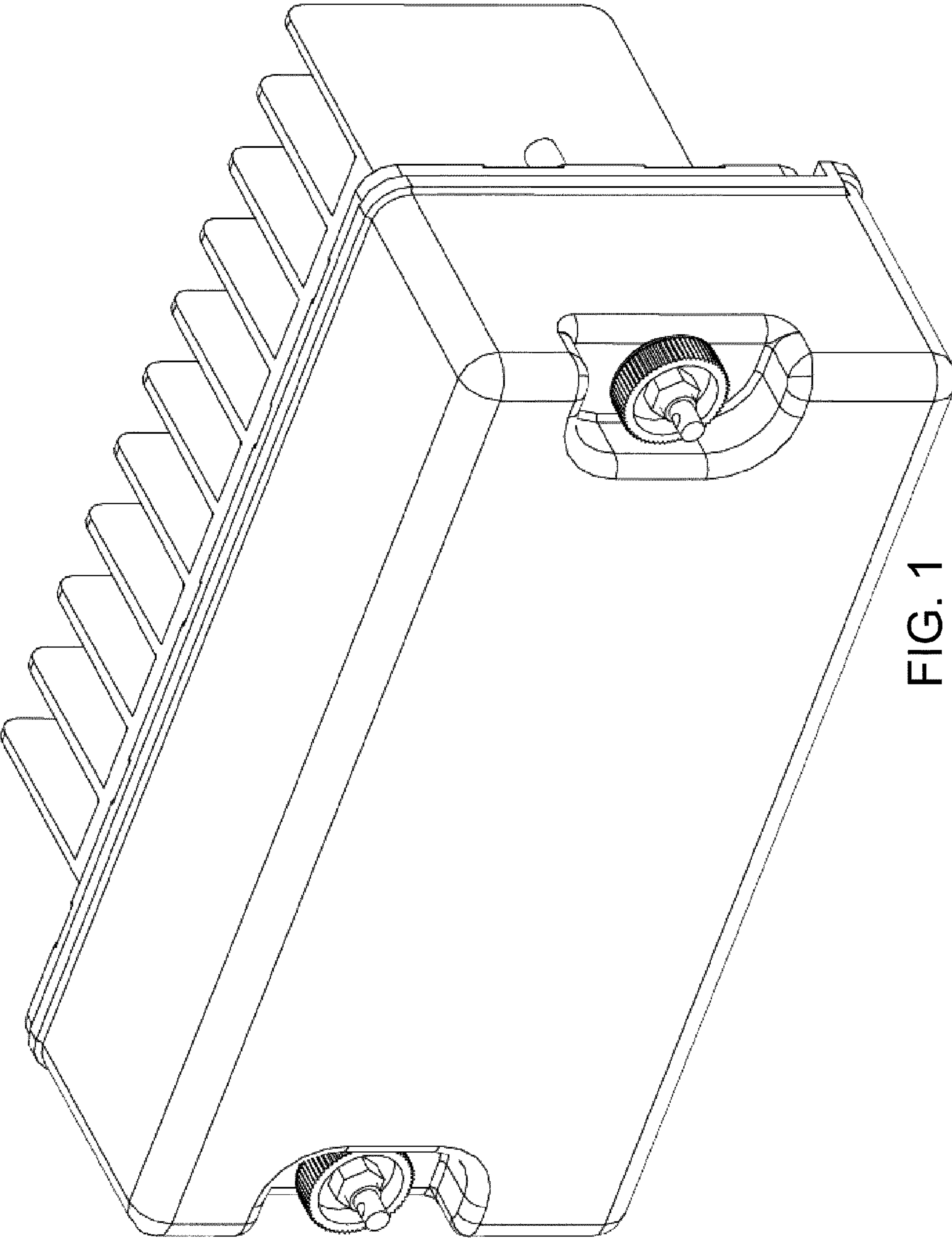


FIG. 1

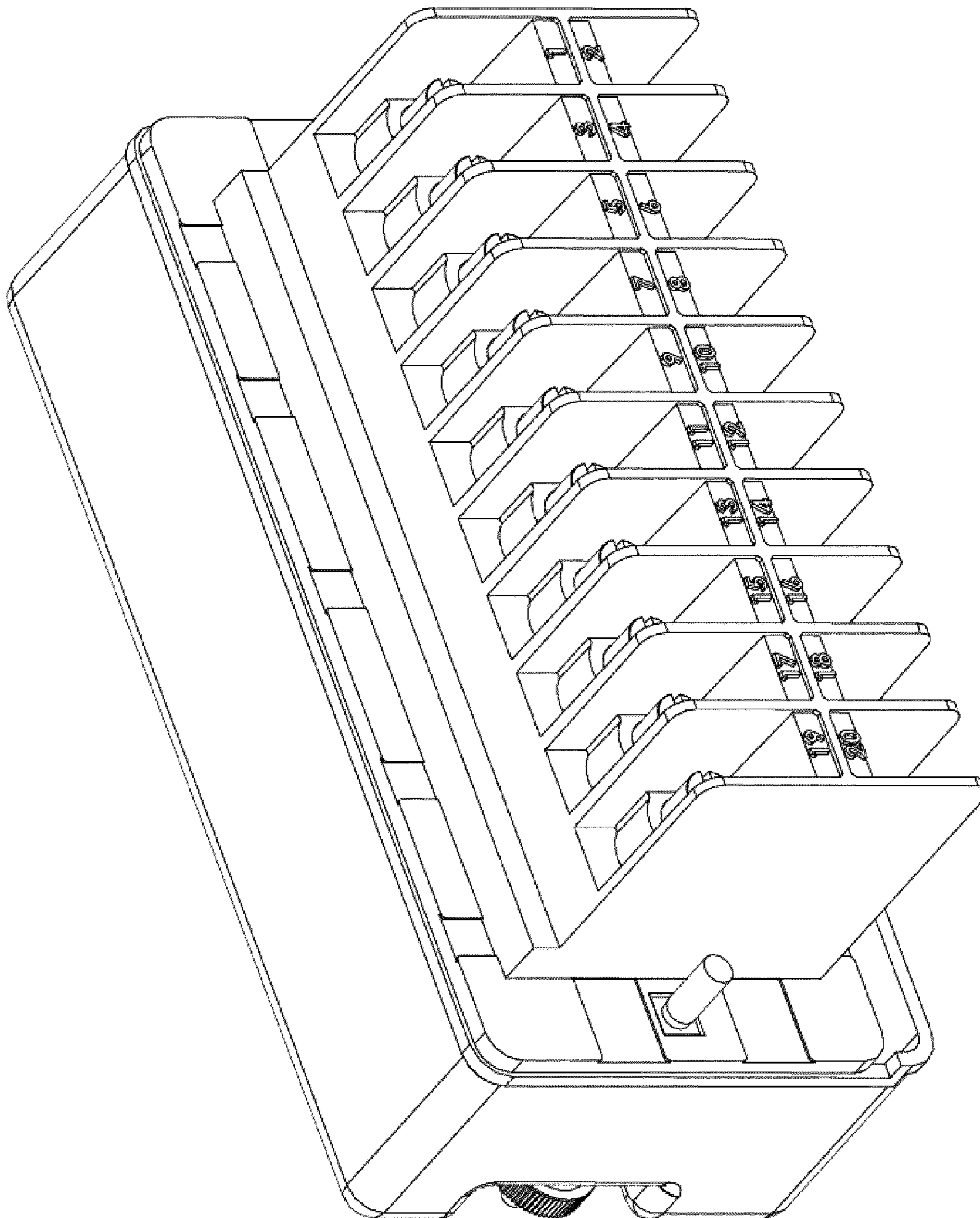


FIG. 2

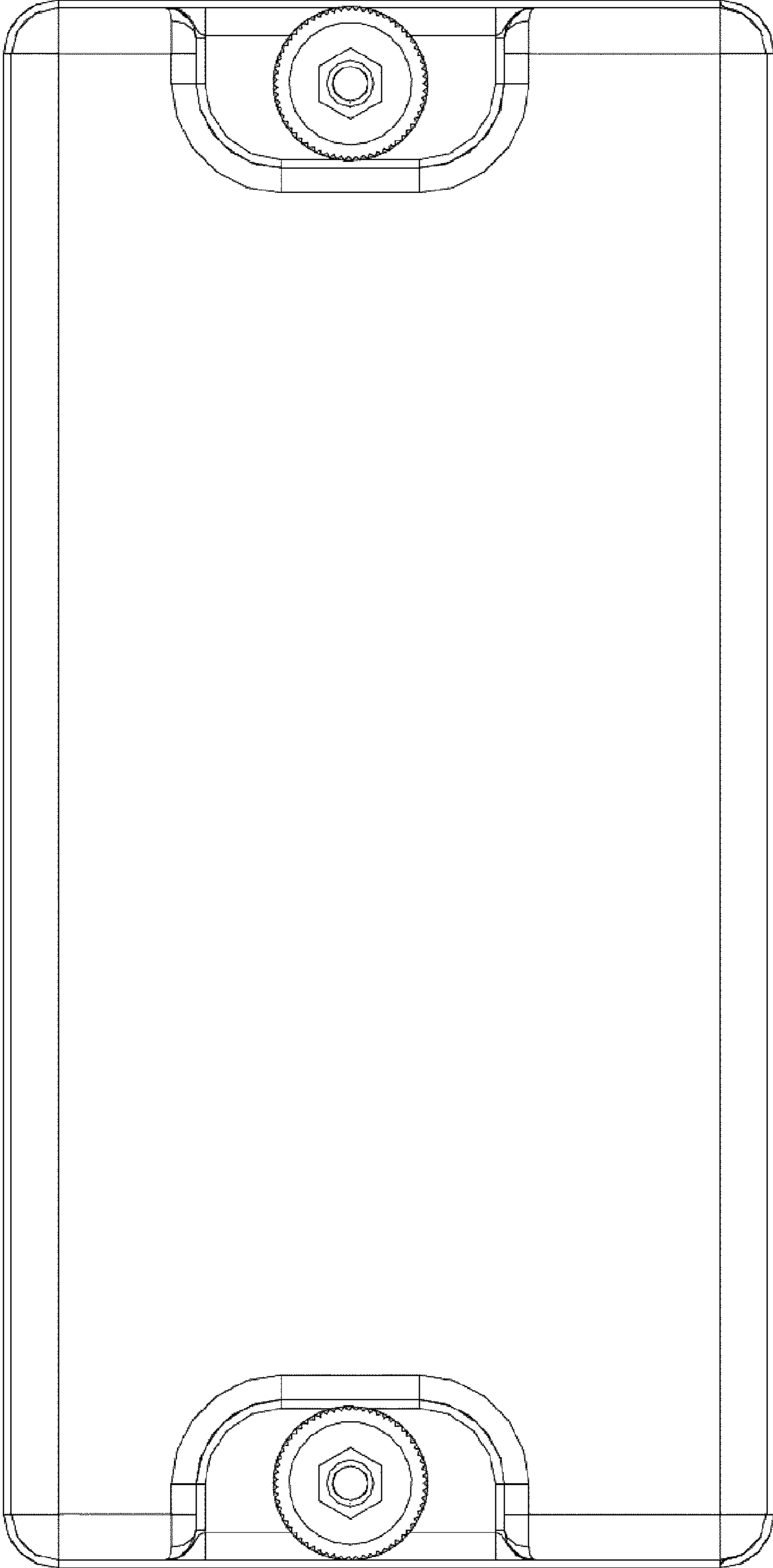


FIG. 3

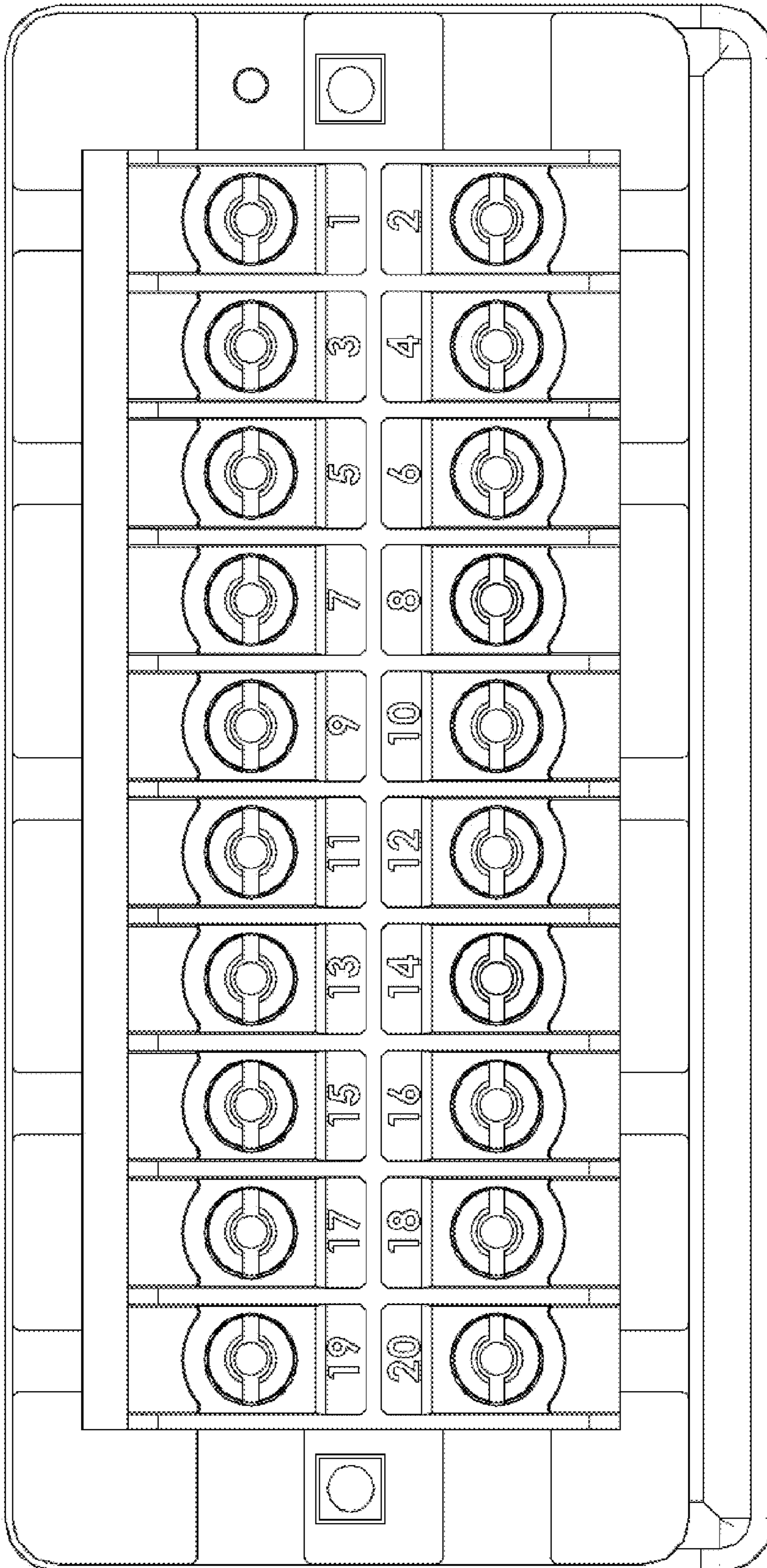


FIG. 4

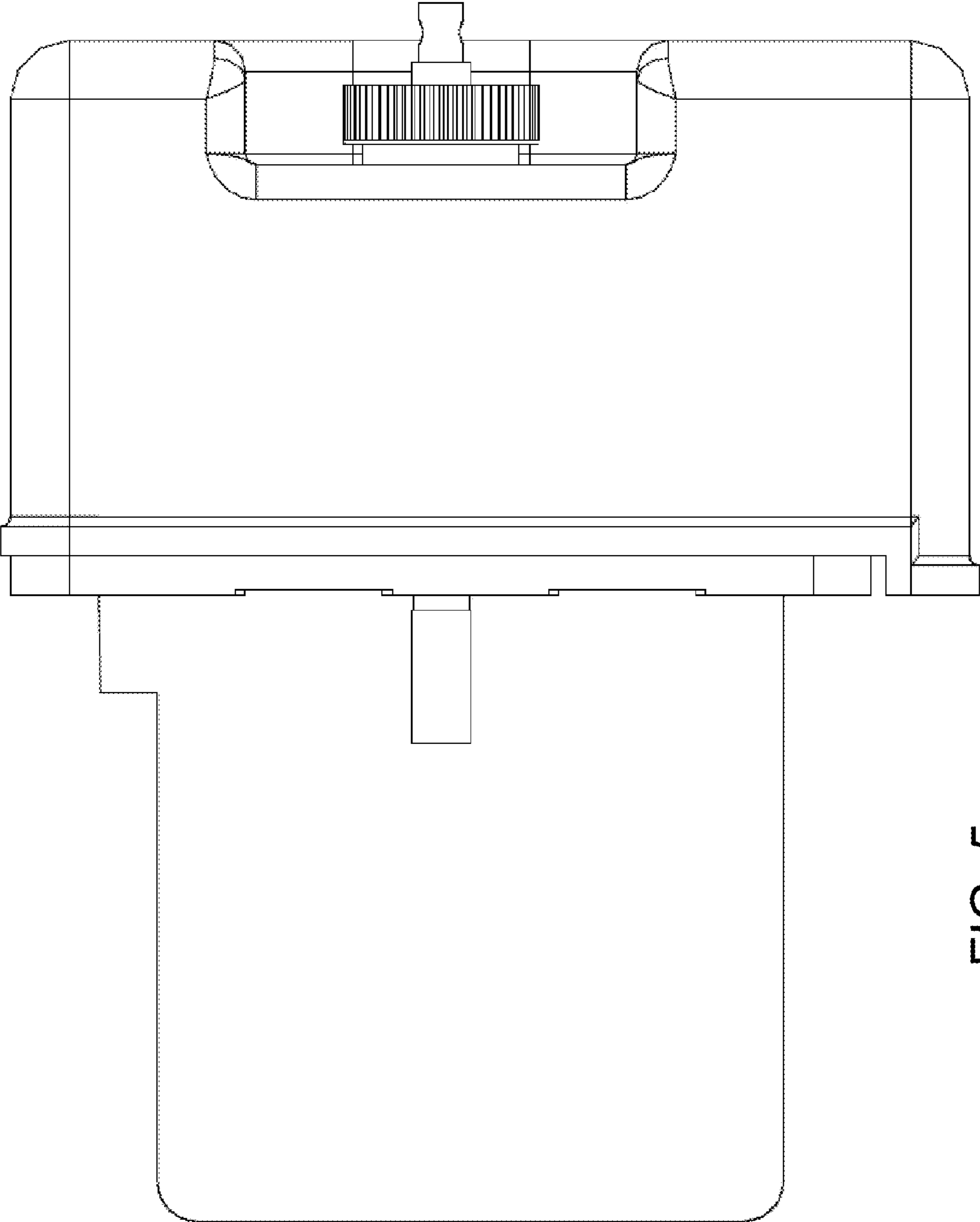


FIG. 5

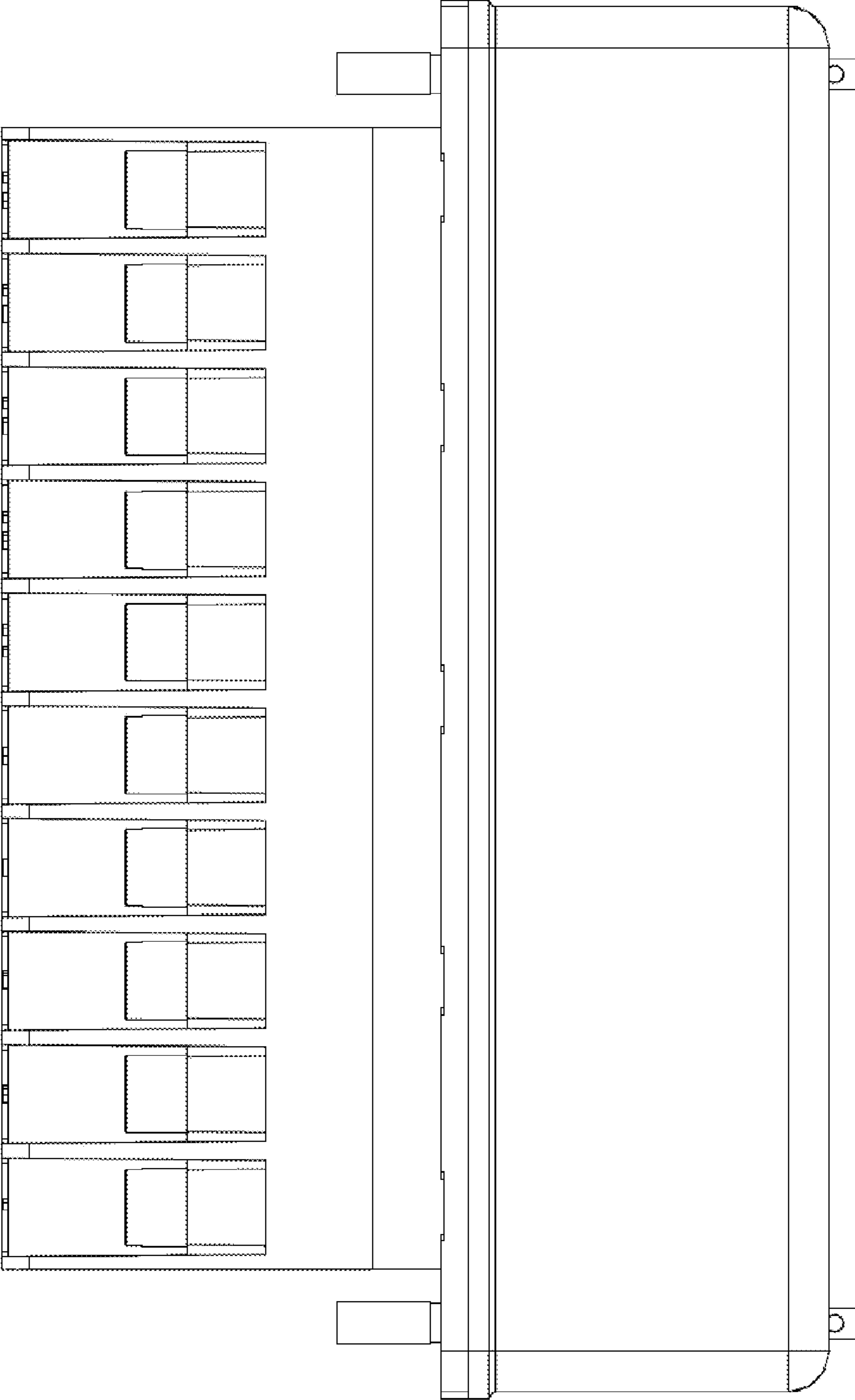


FIG. 6

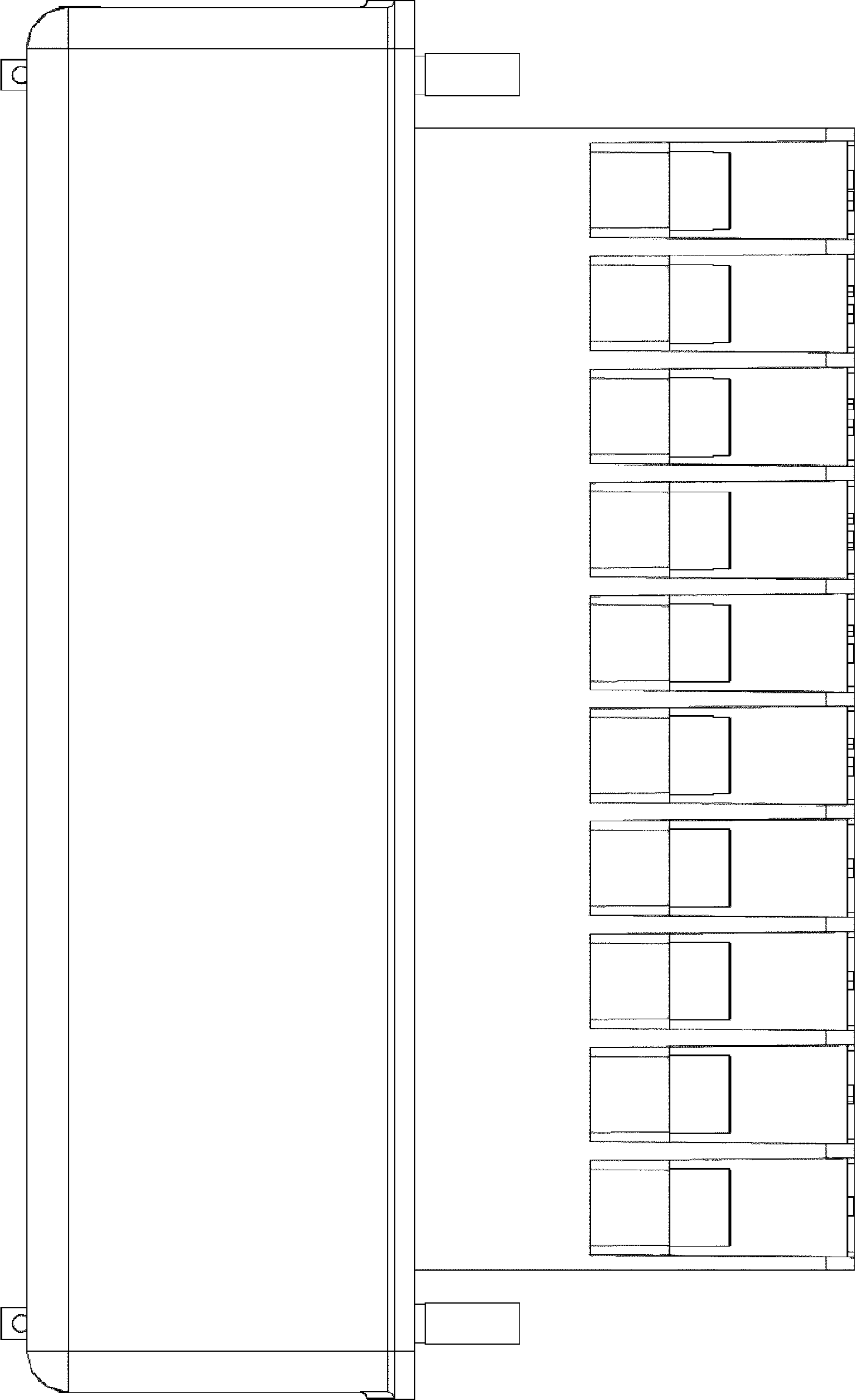


FIG. 7