

US00D621790S

(12) **United States Design Patent**  
**Victor**

(10) **Patent No.:** **US D621,790 S**

(45) **Date of Patent:** **\*\* Aug. 17, 2010**

(54) **CABLE CONNECTOR**

(76) **Inventor:** **Jay Victor**, 2017 Bataan Rd., Unit A,  
Redondo Beach, CA (US) 90278

(\*\*) **Term:** **14 Years**

(21) **Appl. No.:** **29/357,173**

(22) **Filed:** **Mar. 8, 2010**

(51) **LOC (9) Cl.** ..... **13-03**

(52) **U.S. Cl.** ..... **D13/156; D13/147; D13/154**

(58) **Field of Classification Search** ..... D13/133,  
D13/146-147, 153, 154, 156, 184; 439/350,  
439/352, 447, 607.1, 607.4, 607.5, 607.17,  
439/607.25, 607.34, 607.41, 607.53, 660,  
439/677, 680, 682, 686, 936; D14/433, 435,  
D14/438

See application file for complete search history.

(56) **References Cited**

**U.S. PATENT DOCUMENTS**

D576,557 S *	9/2008	Hariharsan et al. ....	D13/154
D584,238 S *	1/2009	Victor .....	D13/156
D585,836 S *	2/2009	Lee et al. ....	D13/154

\* cited by examiner

*Primary Examiner*—Daniel D Bui  
(74) *Attorney, Agent, or Firm*—Trojan Law Offices

(57) **CLAIM**

The ornamental design for a cable connector, as shown and described.

**DESCRIPTION**

FIG. 1 is a perspective view of a cable connector, showing my new design;

FIG. 2 is a top view of the cable connector shown in FIG. 1; a bottom view of the cable connector shown in FIG. 1 is a mirror image of the top view shown;

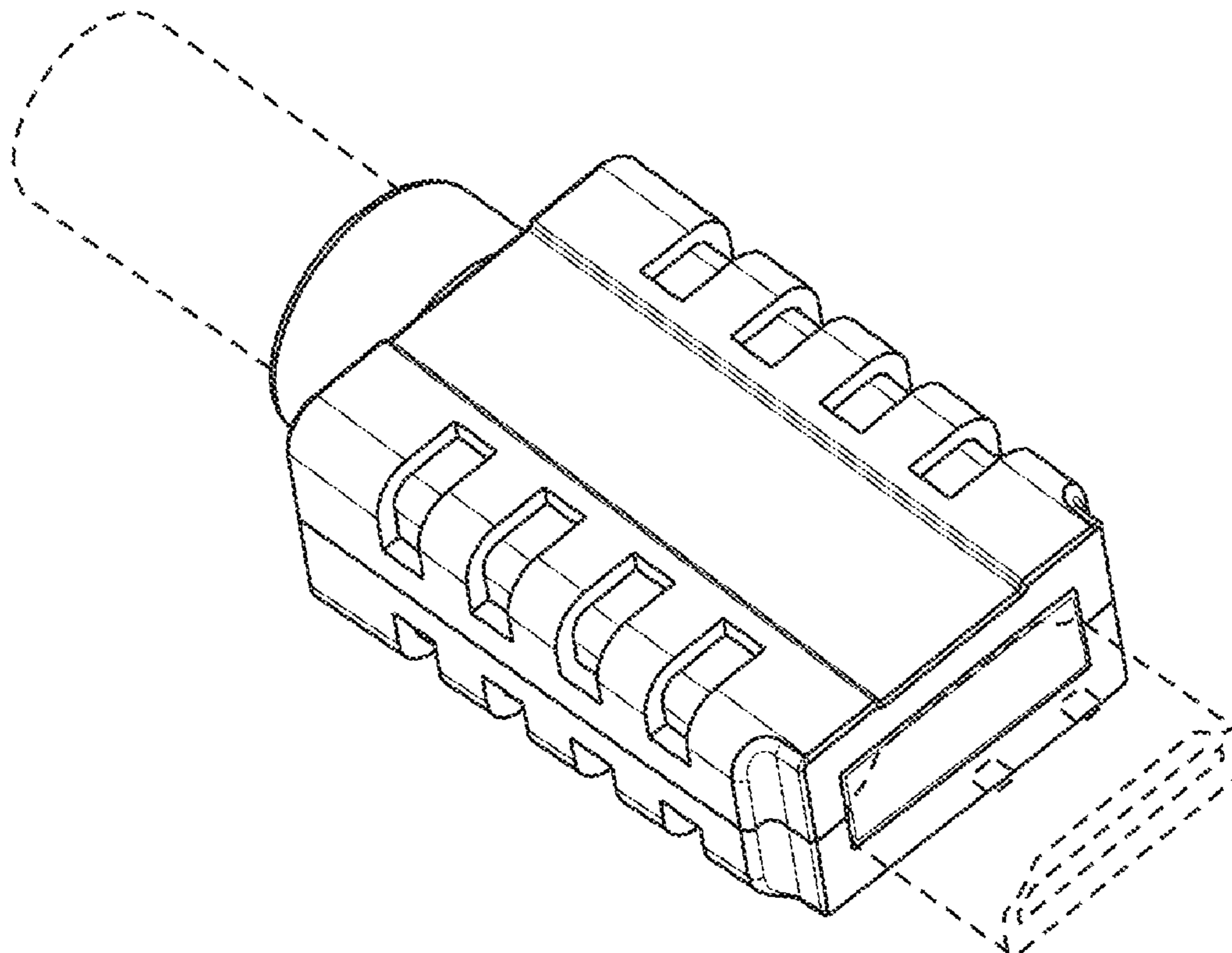
FIG. 3 is a side view of the cable connector shown in FIG. 1; the opposite side of the view shown in FIG. 3 is a mirror image of the side view shown;

FIG. 4 is a front view of the cable connector shown in FIG. 1; and,

FIG. 5 is a rear view of the cable connector shown in FIG. 1.

The broken lines showing environment in drawings are for illustrative purposes only and form no part of the claimed design.

**1 Claim, 2 Drawing Sheets**



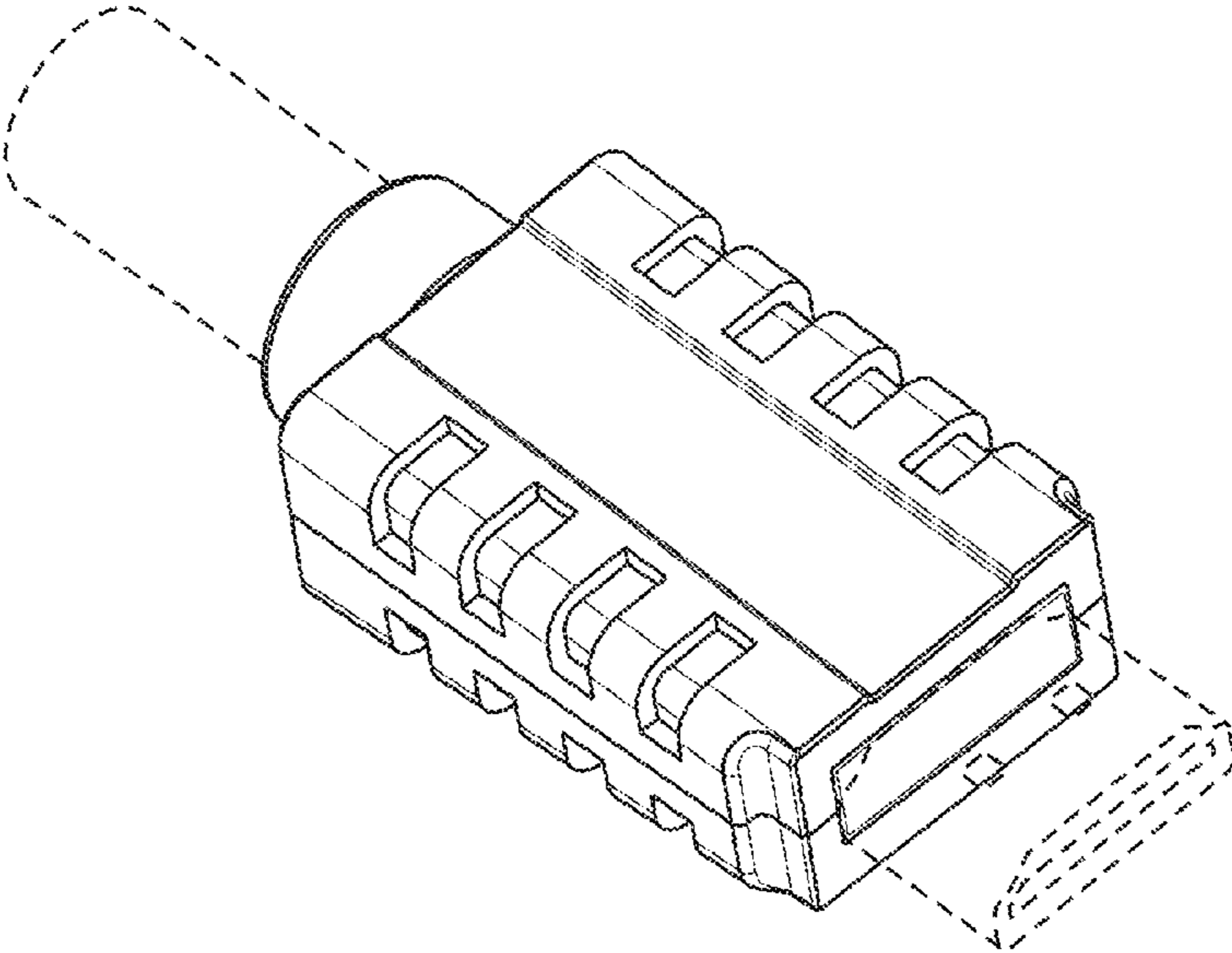


Fig. 1

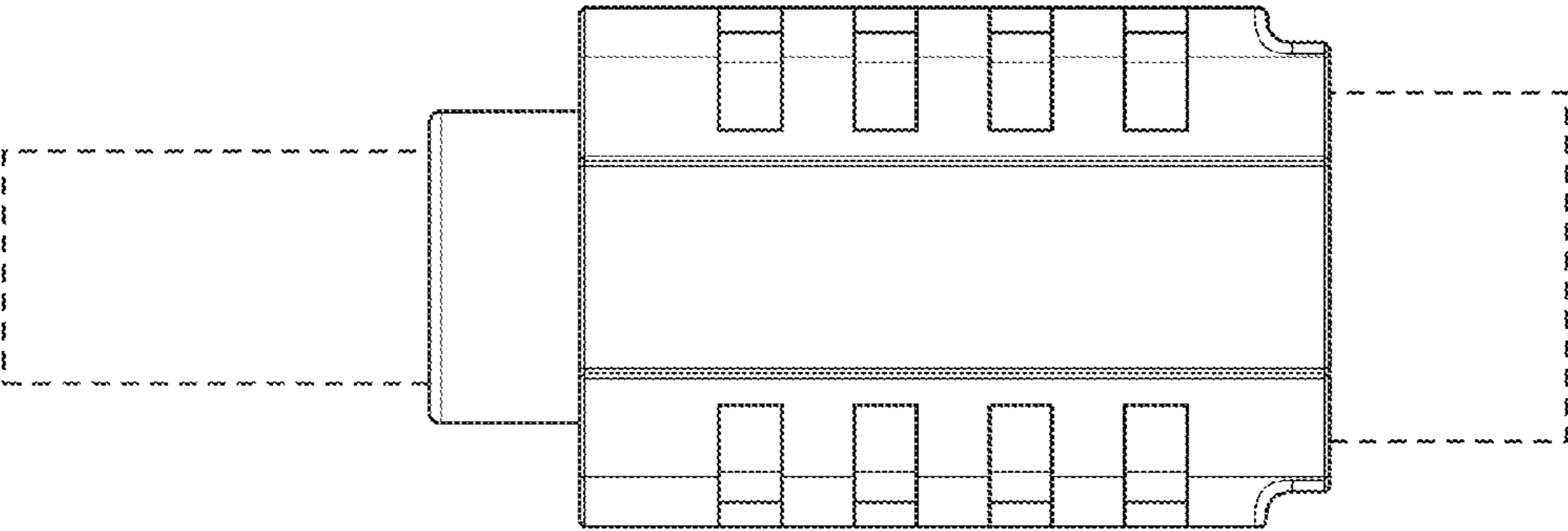


Fig. 2

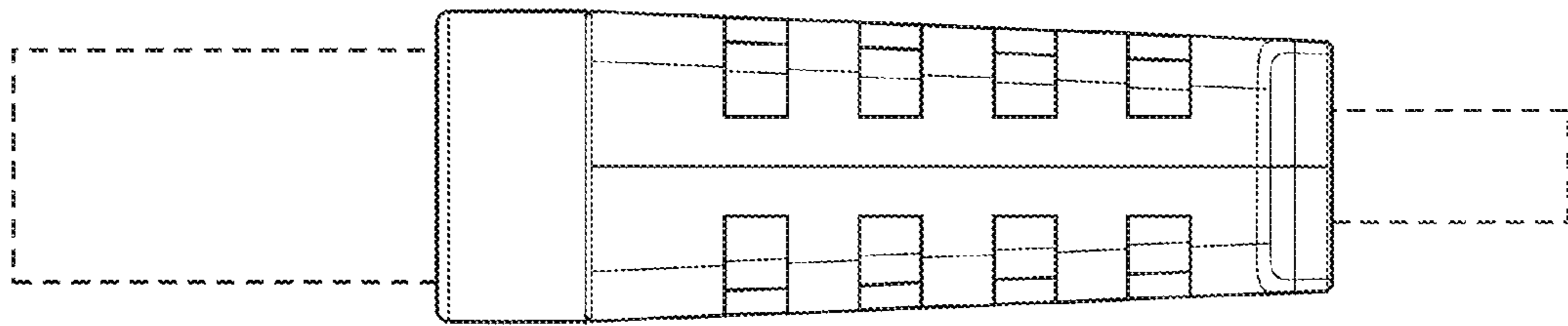


Fig. 3

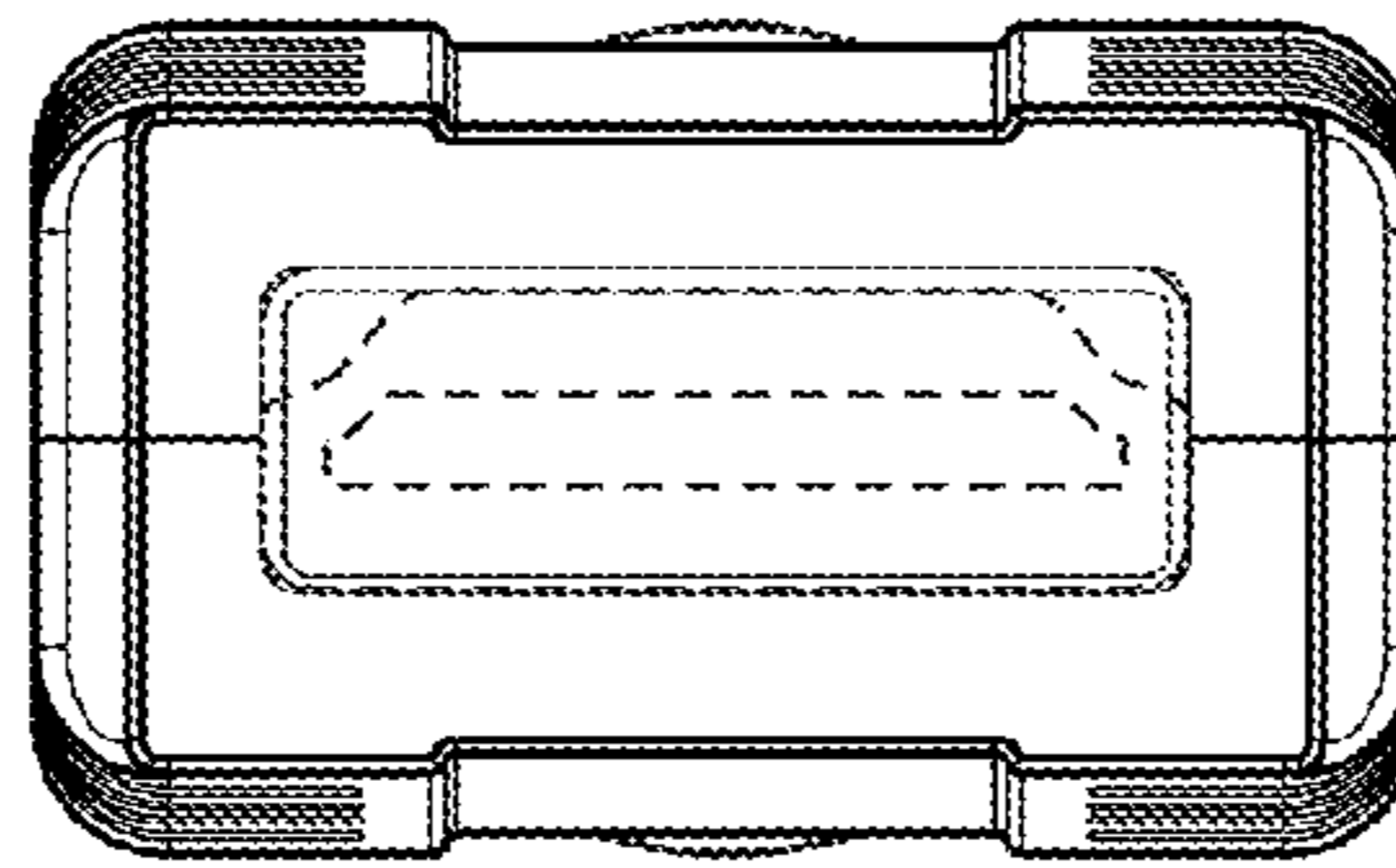


Fig. 4

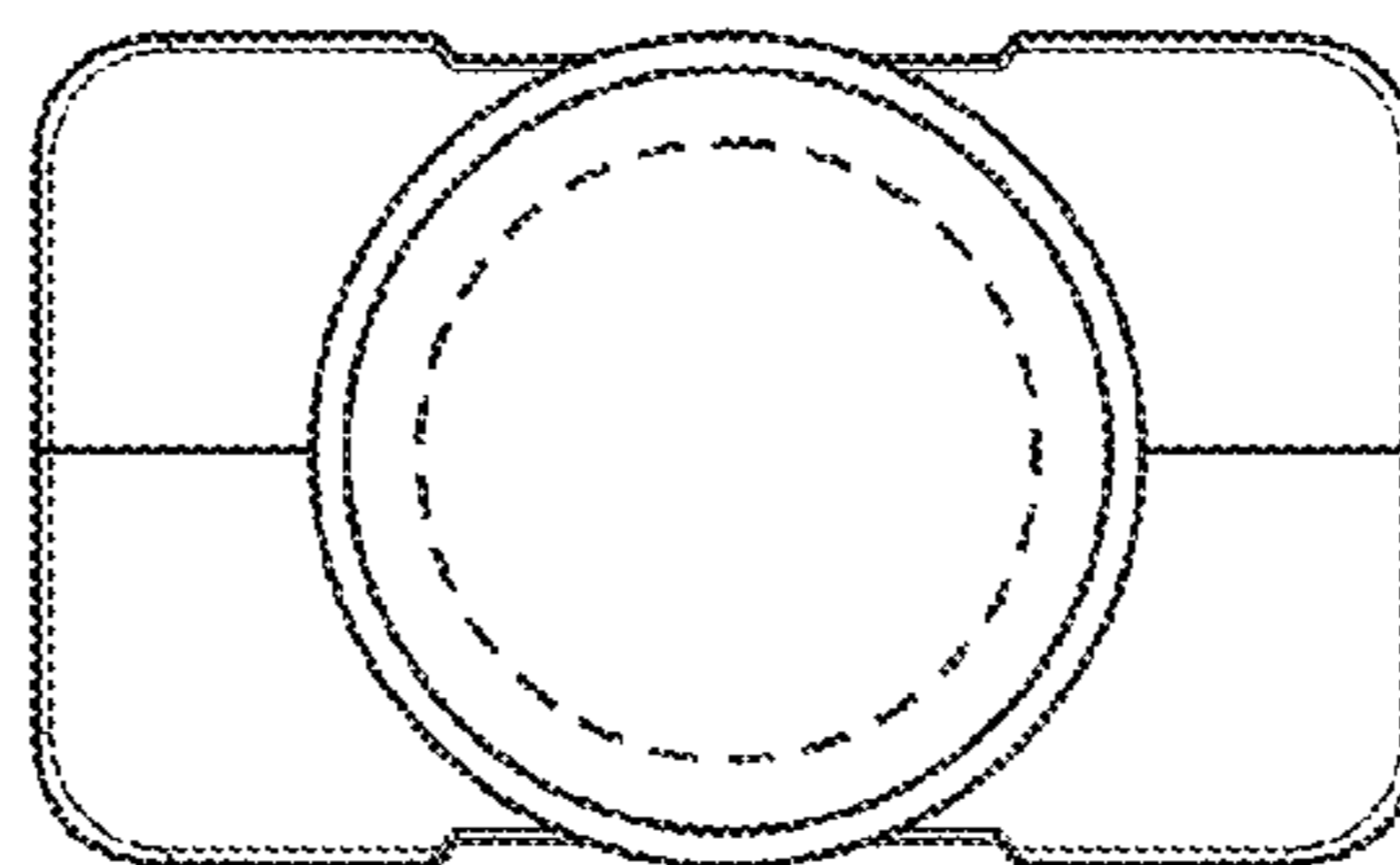


Fig. 5