



US00D621789S

(12) **United States Design Patent**  
**Wang et al.**

(10) **Patent No.:** **US D621,789 S**  
(45) **Date of Patent:** **\*\* Aug. 17, 2010**

(54) **ELECTRICAL CONNECTOR**

(75) Inventors: **Xin-Wen Wang**, Kunshan (CN);  
**Zhong-Hua Yao**, Kunshan (CN);  
**Qi-Sheng Zheng**, Kunshan (CN)

(73) Assignee: **Hon Hai Precision Ind. Co., Ltd.**,  
Taipei Hsien (TW)

(\*\*) Term: **14 Years**

(21) Appl. No.: **29/352,246**

(22) Filed: **Dec. 18, 2009**

(30) **Foreign Application Priority Data**

Oct. 27, 2009 (CN) ..... 2009 3 0321509

(51) **LOC (9) Cl.** ..... **13-03**

(52) **U.S. Cl.** ..... **D13/151; D13/133**

(58) **Field of Classification Search** ..... D13/133,  
D13/134, 151, 153-156, 184, 199; 174/432,  
174/74 R; D23/259, 260, 386; 361/704,  
361/709, 710; 439/161, 259, 266, 270, 278,  
439/350-356, 374, 483-485, 527, 476.1,  
439/519, 548, 556, 558, 587, 699.2, 775,  
439/784, 801, 892, 894

See application file for complete search history.

(56) **References Cited**

**U.S. PATENT DOCUMENTS**

3,711,632 A \* 1/1973 Ghirardi ..... 174/135  
D314,814 S \* 2/1991 Lubeck ..... D23/262  
D341,126 S \* 11/1993 Finamore et al. .... D13/151  
D365,326 S \* 12/1995 Starec et al. .... D13/146

D367,847 S \* 3/1996 Tarulli et al. .... D13/158  
D469,742 S \* 2/2003 Michon et al. .... D13/151  
D495,662 S \* 9/2004 Chawgo ..... D13/156  
D533,840 S \* 12/2006 Park ..... D13/151

\* cited by examiner

*Primary Examiner*—Daniel D Bui

*Assistant Examiner*—Thomas J Johannes

(74) *Attorney, Agent, or Firm*—Wei Te Chung; Andrew C.  
Cheng; Ming Chieh Chang

(57) **CLAIM**

The ornamental design for an electrical connector, as shown  
and described.

**DESCRIPTION**

FIG. 1 is a front, top and right side perspective view of an  
electrical connector showing our new design;

FIG. 2 is a front elevational view thereof;

FIG. 3 is a rear elevational view thereof;

FIG. 4 is a left side elevational view thereof;

FIG. 5 is a right side elevational view thereof;

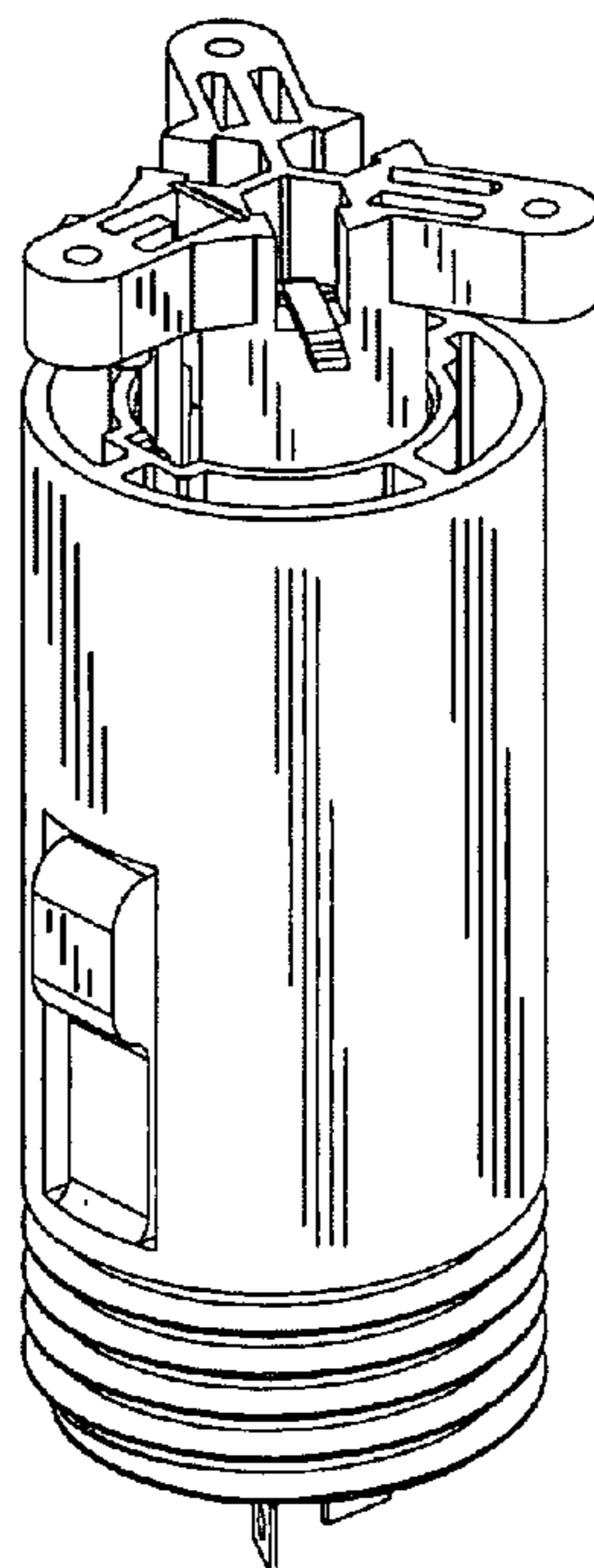
FIG. 6 is a top plan view thereof;

FIG. 7 is a bottom plan view thereof; and,

FIG. 8 is a front, top and right side perspective view showing  
a lamp cap assembled thereto in a typical usage configuration.

The broken line portion of the figure drawings is included to  
show unclaimed subject matter in FIGS. 2, 6, and 7 and  
environmental detail in FIG. 8 and forms no part of the  
claimed design.

**1 Claim, 8 Drawing Sheets**



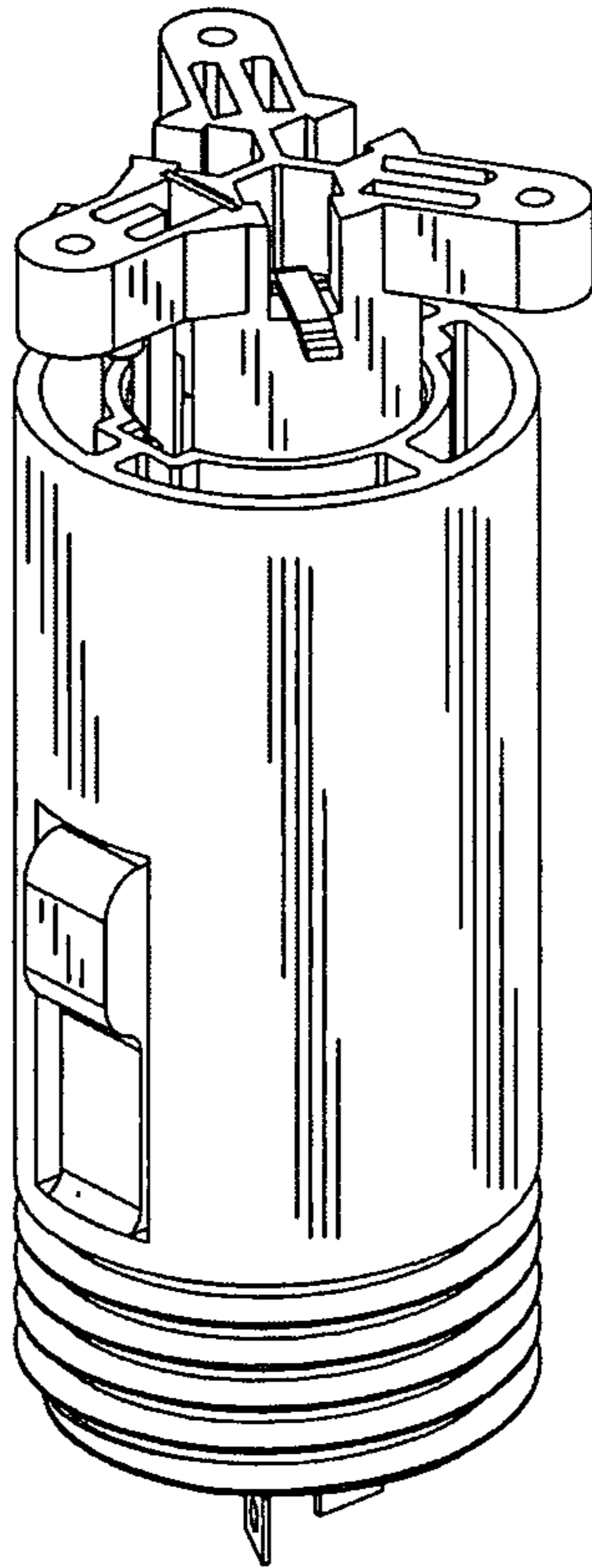


FIG. 1

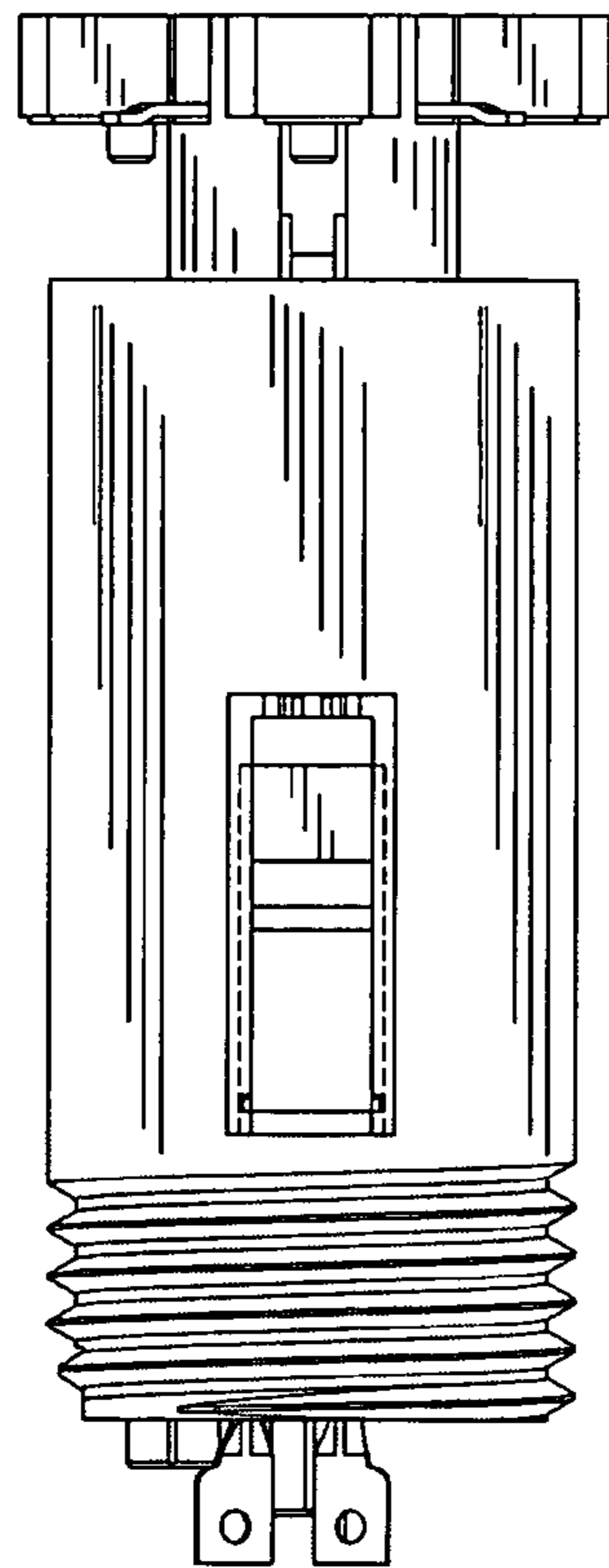


FIG. 2

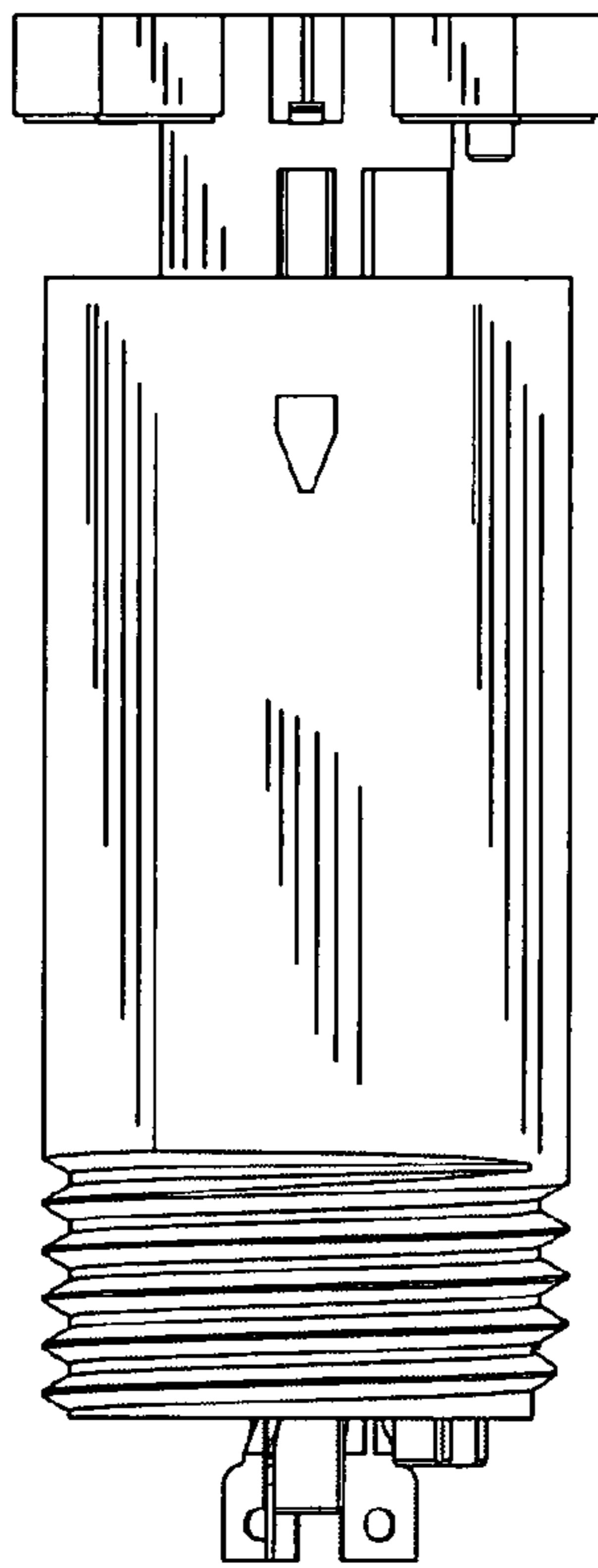


FIG. 3

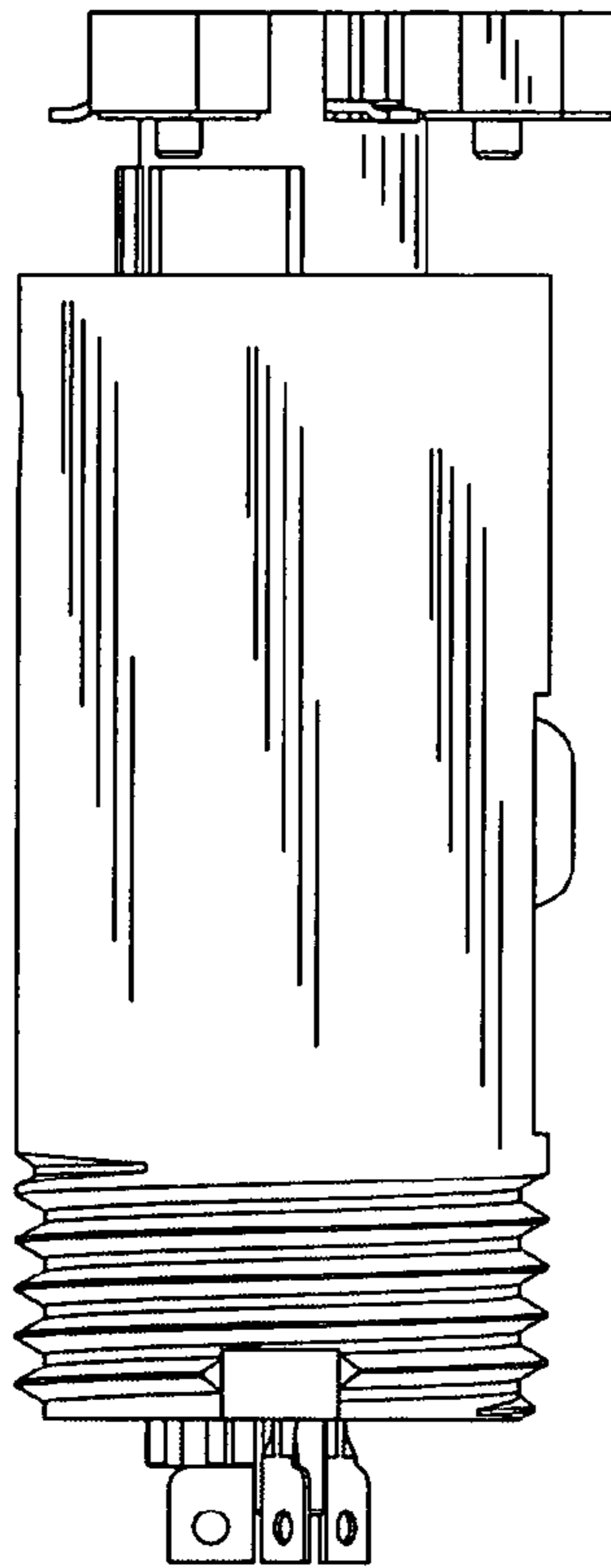


FIG. 4

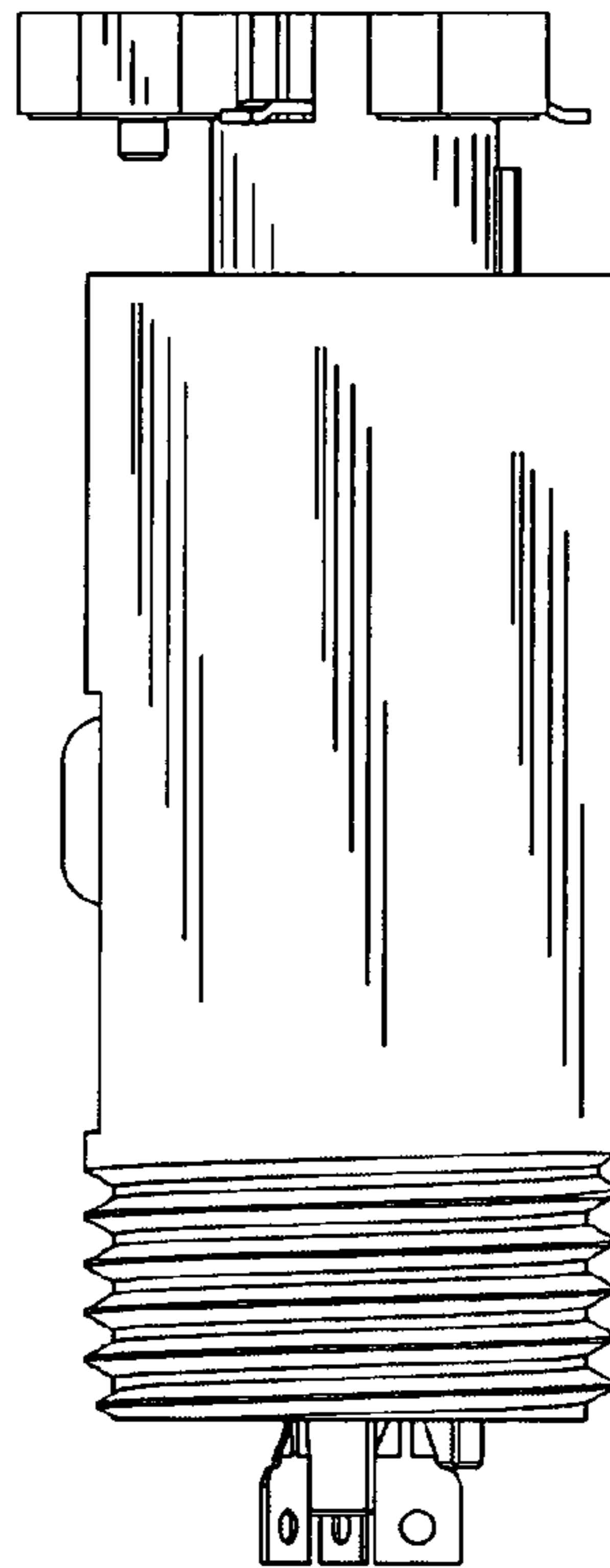


FIG. 5

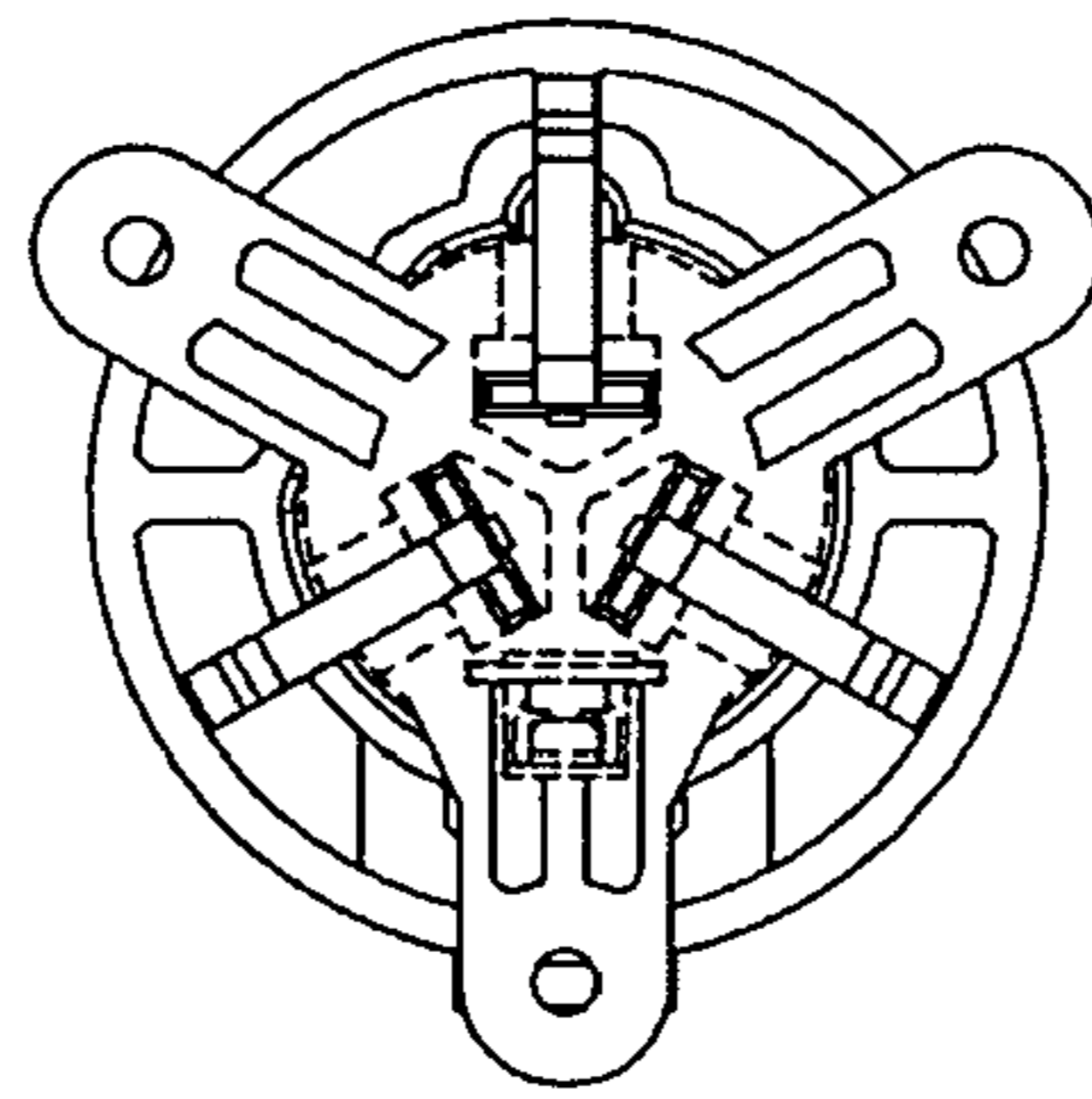


FIG. 6

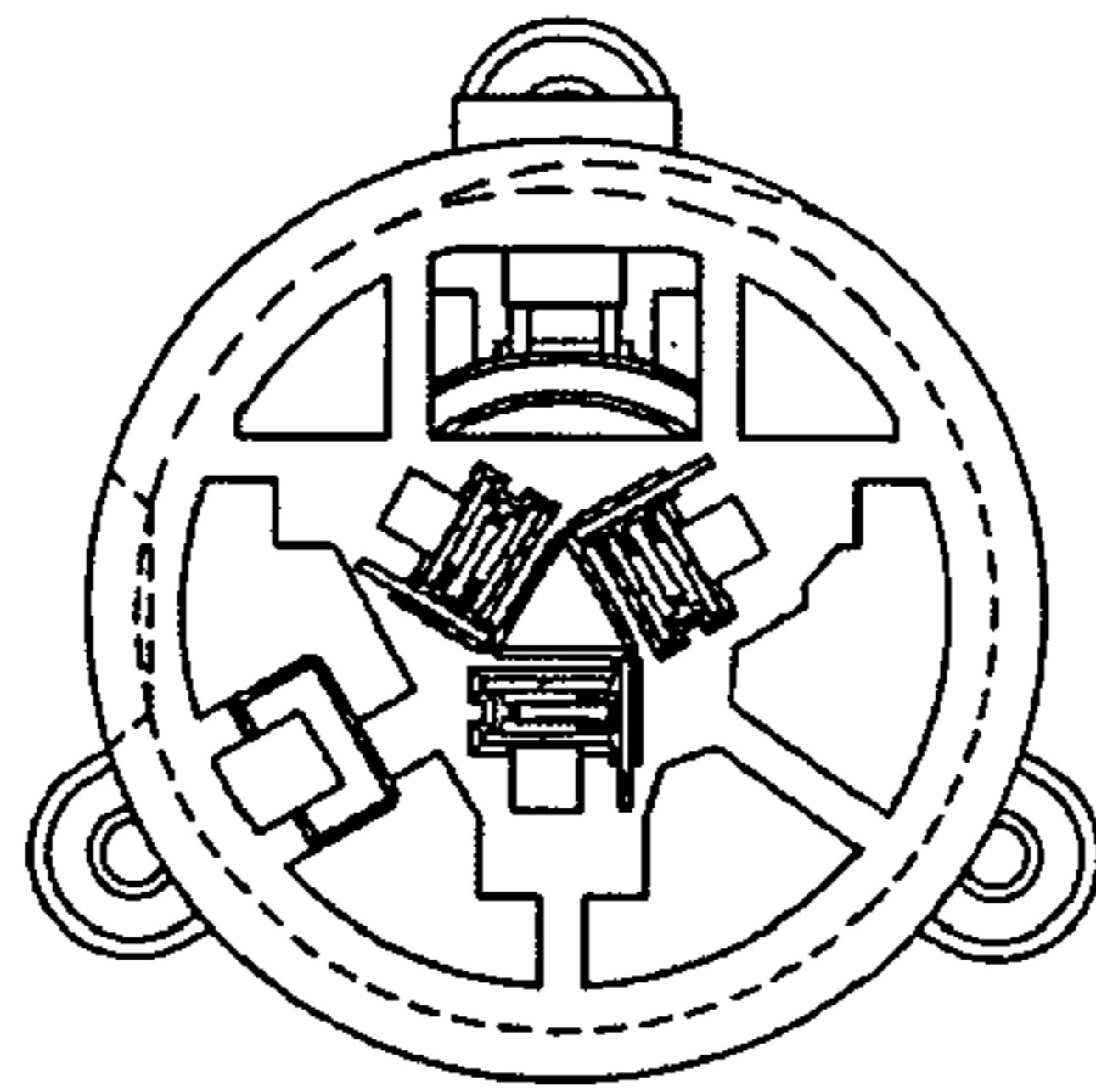


FIG. 7



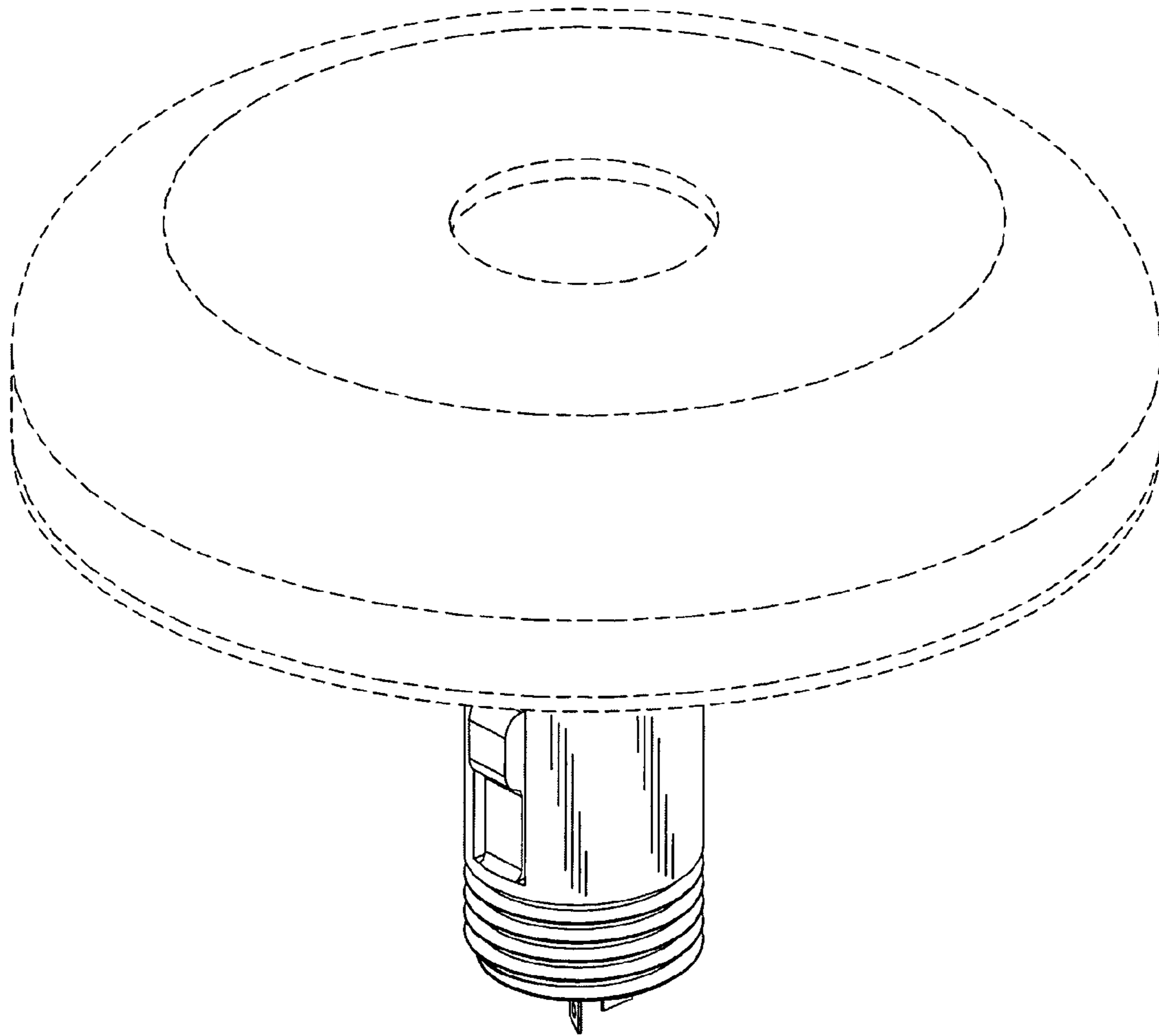


FIG. 8