



US00D621787S

(12) **United States Design Patent**  
**Kondo**

(10) **Patent No.:** **US D621,787 S**

(45) **Date of Patent:** **\*\* Aug. 17, 2010**

(54) **ELECTRICAL CONNECTOR**

(75) Inventor: **Hayato Kondo**, Yao (JP)

(73) Assignee: **Hosiden Corporation**, Yao-shi (JP)

(\*\*) Term: **14 Years**

(21) Appl. No.: **29/354,626**

(22) Filed: **Jan. 27, 2010**

(30) **Foreign Application Priority Data**

Jul. 29, 2009 (JP) ..... 2009-017323

(51) **LOC (9) Cl.** ..... **13-03**

(52) **U.S. Cl.** ..... **D13/147**

(58) **Field of Classification Search** ..... D13/147,  
D13/154, 184; 439/79, 108, 378, 567, 607-610,  
439/668, 680

See application file for complete search history.

(56) **References Cited**

**U.S. PATENT DOCUMENTS**

D582,347 S	*	12/2008	Fujimoto et al.	.....	D13/147
D584,691 S	*	1/2009	Koyama et al.	.....	D13/147
D587,207 S	*	2/2009	Fujimoto et al.	.....	D13/147
D589,448 S	*	3/2009	Koyama	.....	D13/147
D607,823 S	*	1/2010	Koyama et al.	.....	D13/147

**FOREIGN PATENT DOCUMENTS**

JP	D1344152	10/2008
JP	D2008-10545	11/2008

**OTHER PUBLICATIONS**

Japanese Office Action mailed Dec. 18, 2009 with English translation (4 pages).

Japanese Office Action mailed Dec. 18, 2009 with English translation (4 pages).

\* cited by examiner

*Primary Examiner*—Daniel D Bui

(74) *Attorney, Agent, or Firm*—Kratz, Quintos & Hanson, LLP

(57) **CLAIM**

The ornamental design for an electrical connector, as shown and described.

**DESCRIPTION**

FIG. 1 is a front elevational view of the electrical connector of the present invention;

FIG. 2 is a back elevational view thereof;

FIG. 3 is a top plan view thereof;

FIG. 4 is a bottom plan view thereof;

FIG. 5 is a right side elevational view thereof;

FIG. 6 is a left side elevational view thereof;

FIG. 7 is a top, front, and right side perspective view thereof;

FIG. 8 is a top, back, and right side perspective view thereof;

FIG. 9 is a bottom, back, and right side perspective view thereof;

FIG. 10 is a cross-sectional view taken along lines 10—10 of FIG. 1;

FIG. 11 is a cross-sectional view taken along lines 11—11 of FIG. 1;

FIG. 12 is a cross-sectional view taken along lines 12—12 of FIG. 1; and,

FIG. 13 is a cross-sectional view taken along lines 13—13 of FIG. 1.

**1 Claim, 13 Drawing Sheets**

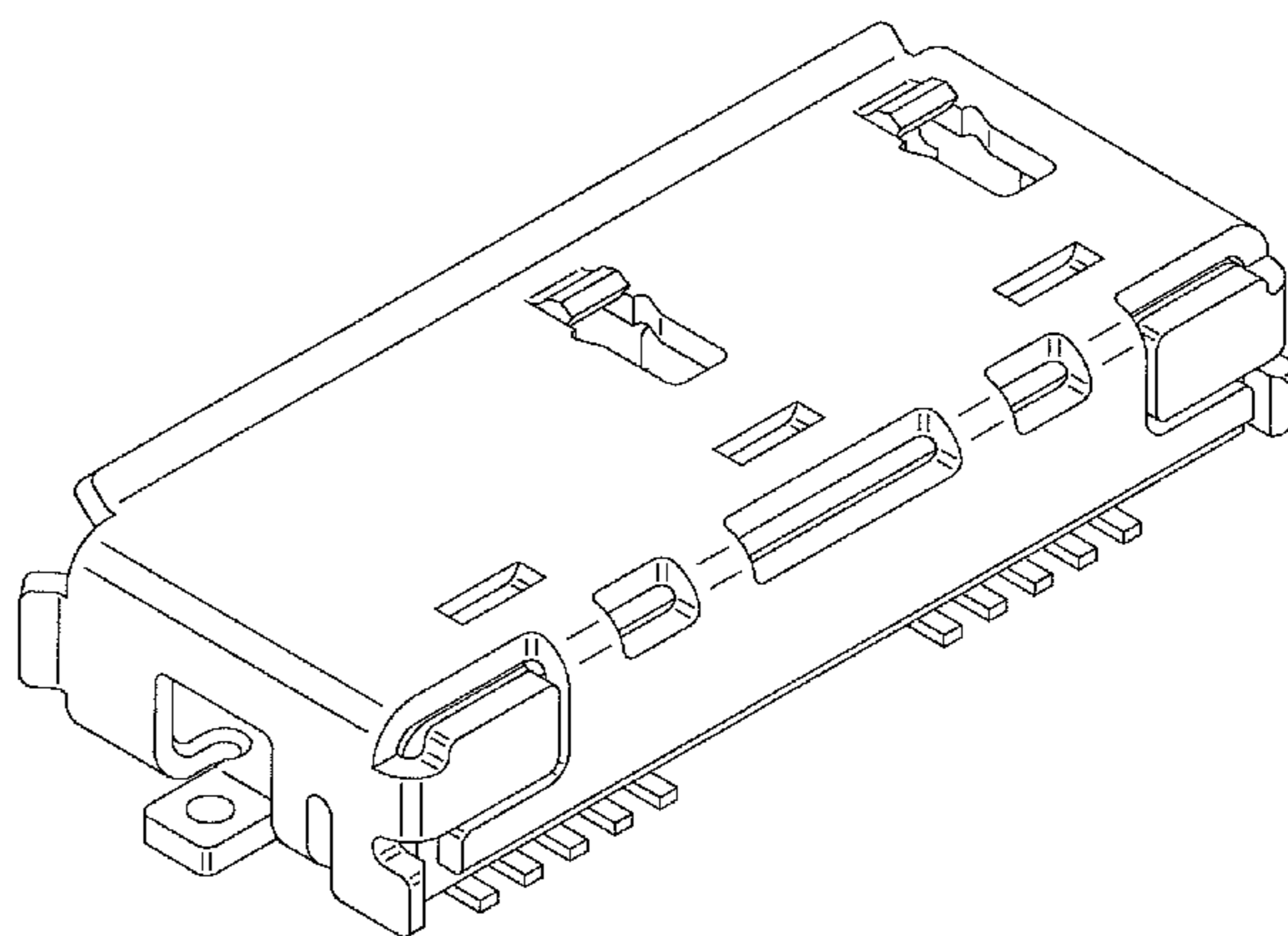
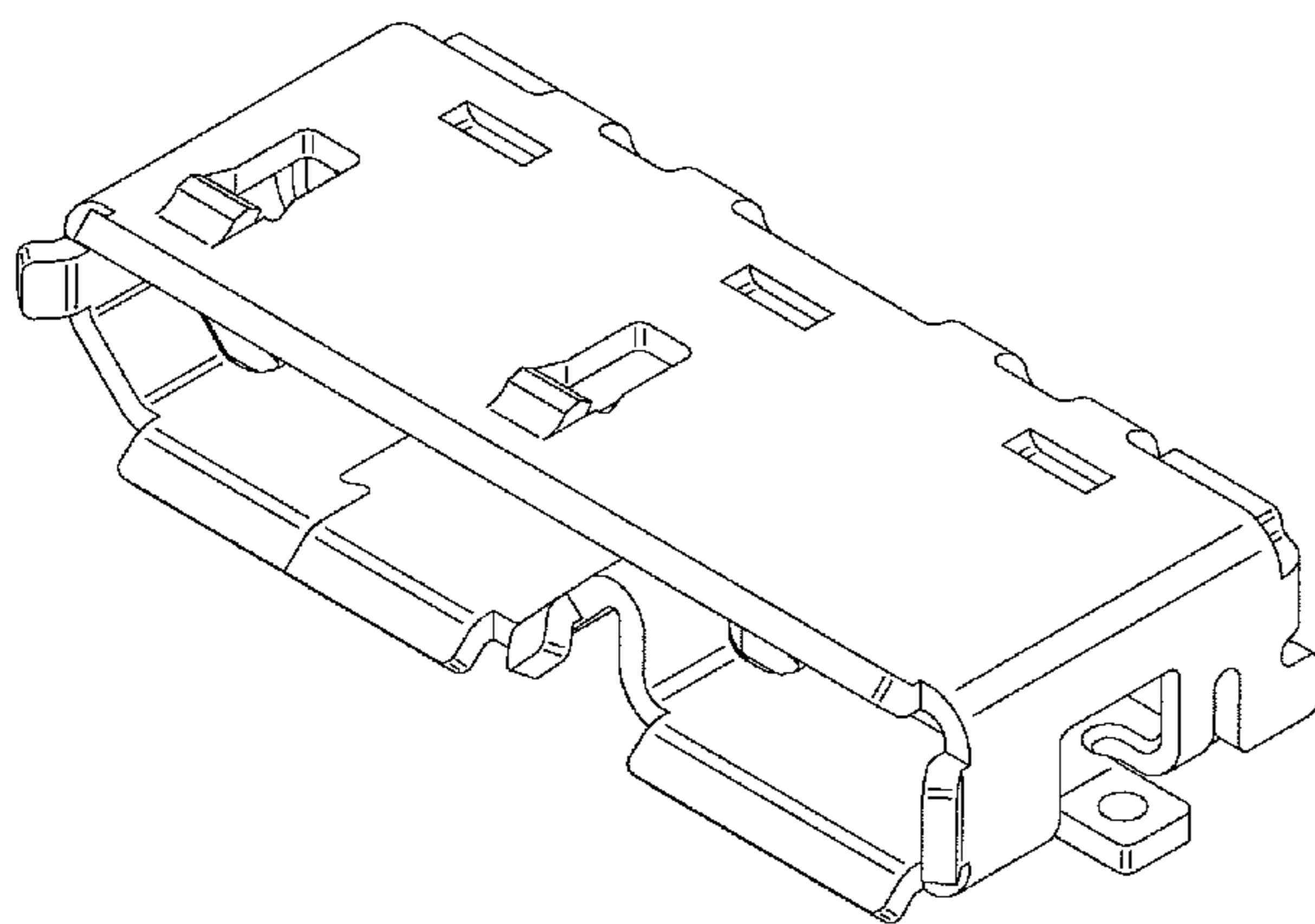


FIG. 1

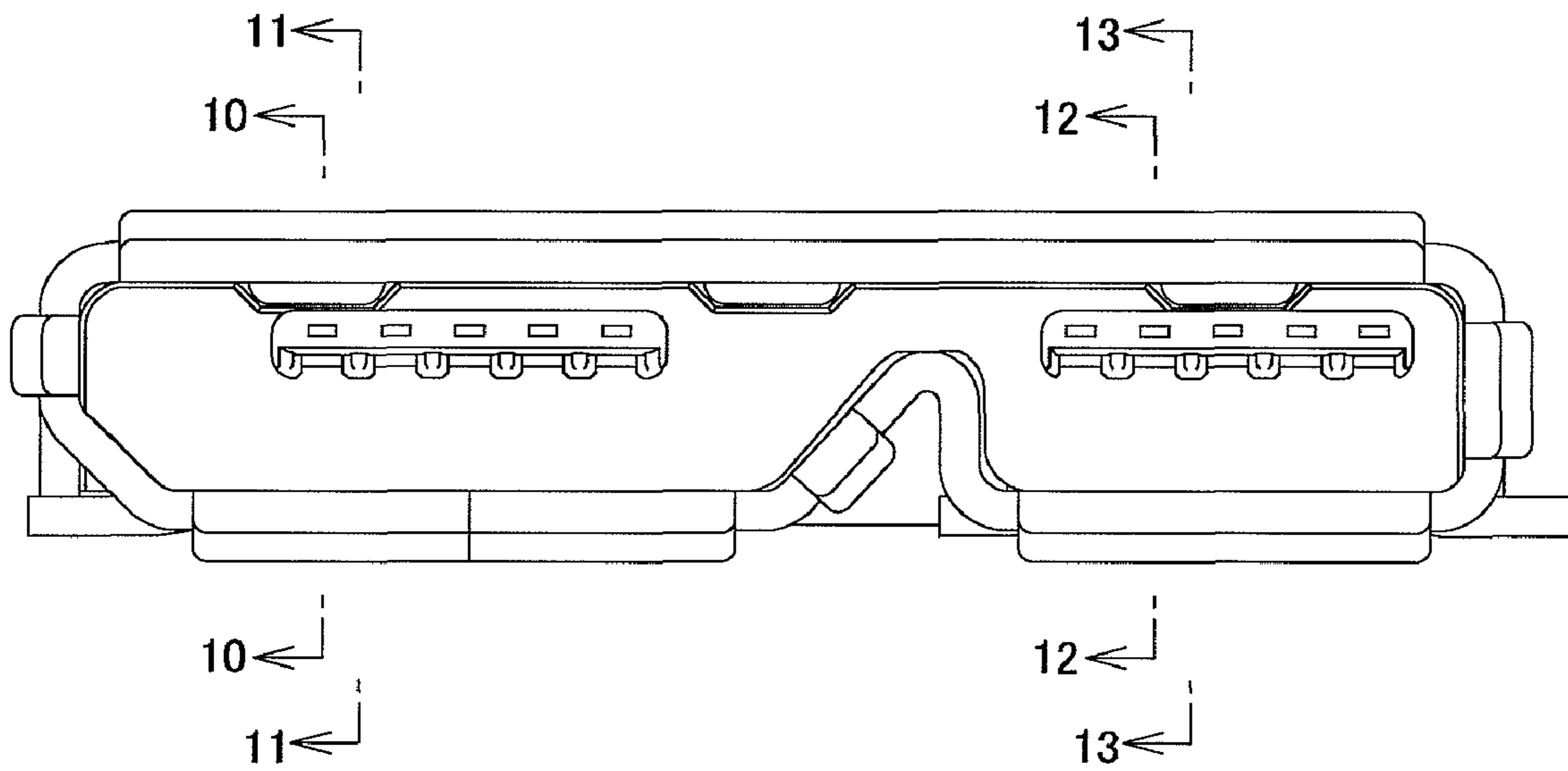


FIG. 2

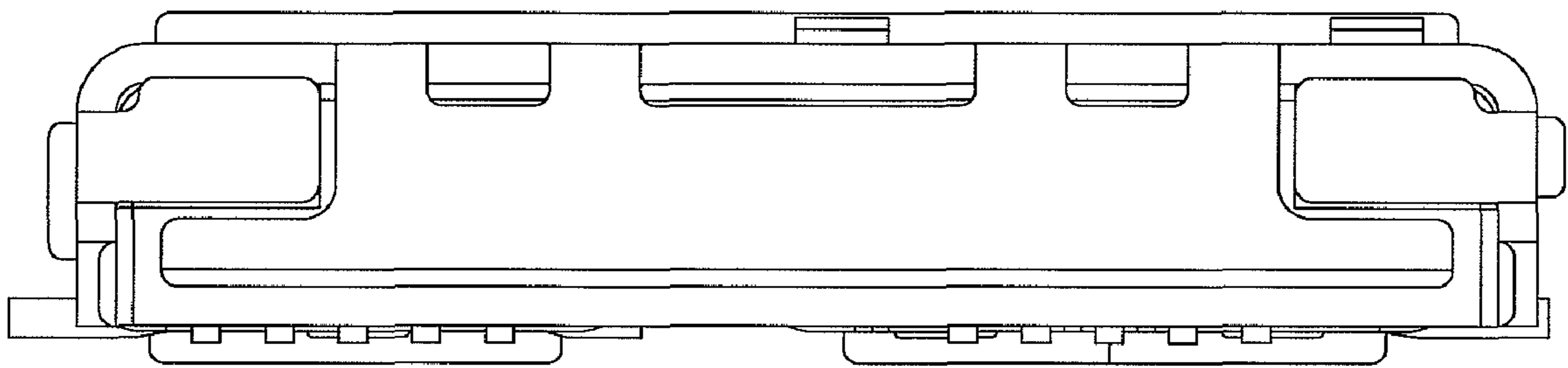


FIG. 3

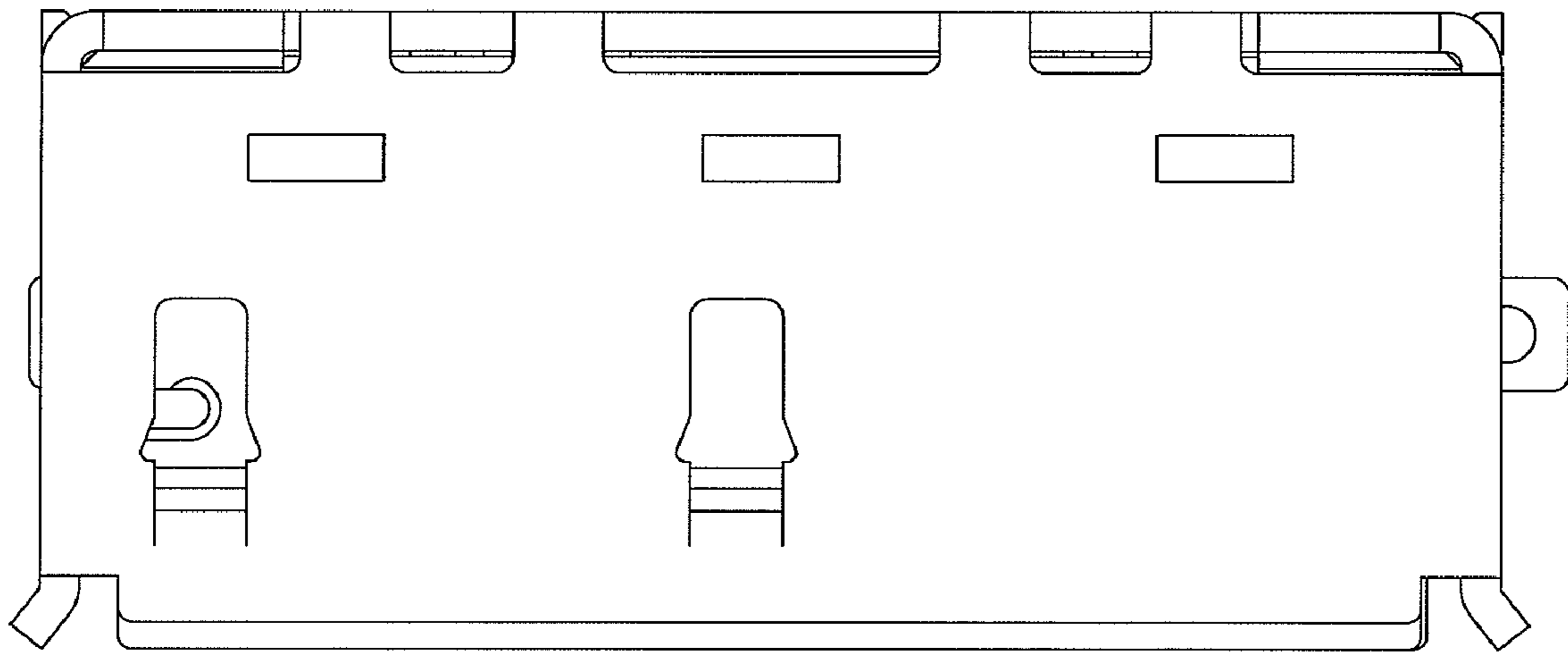


FIG. 4

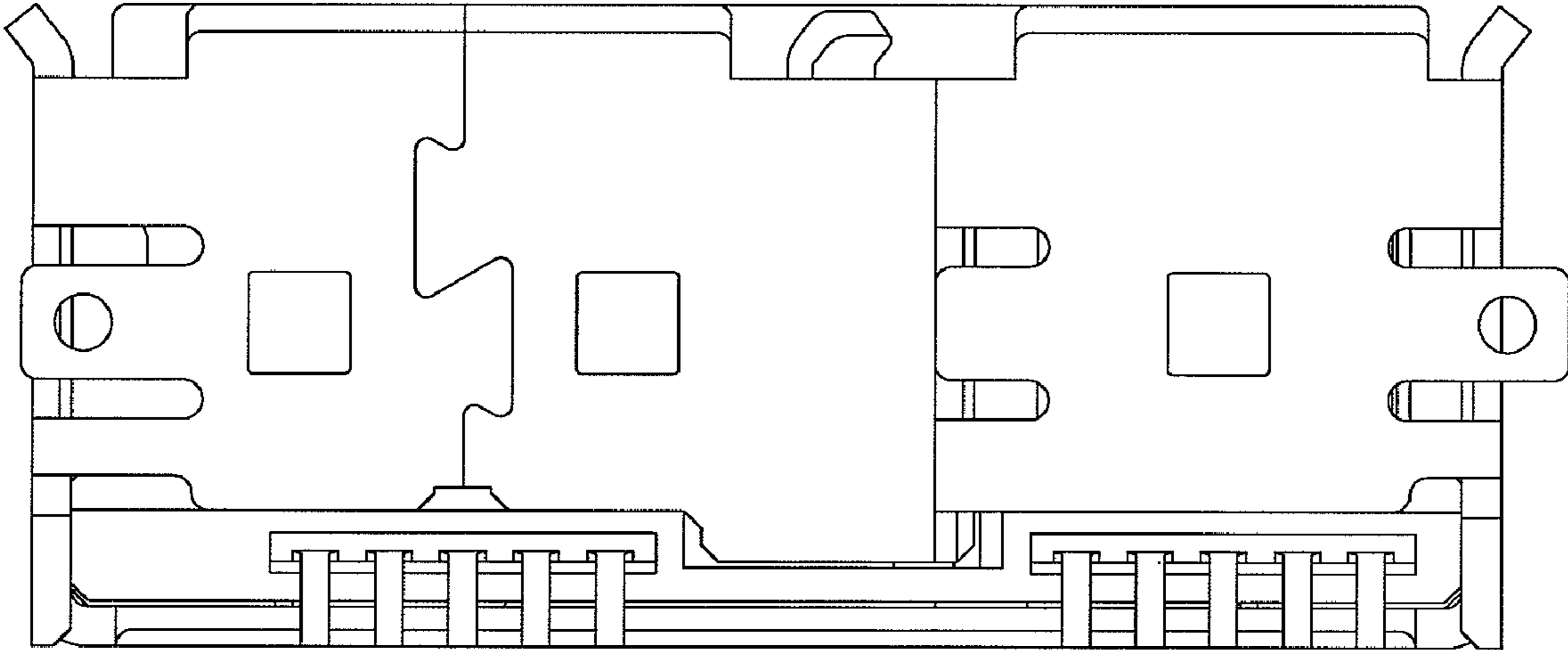


FIG. 5

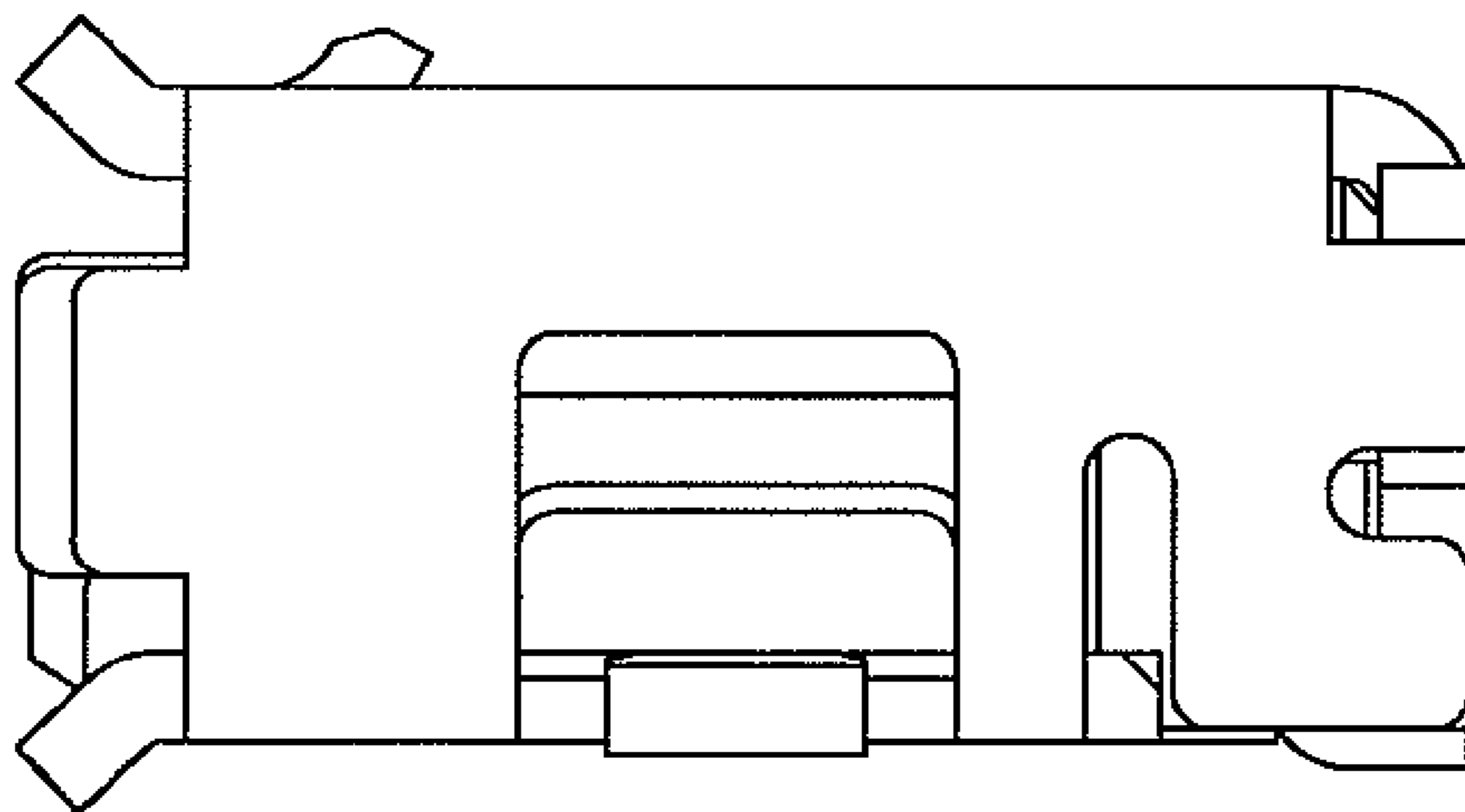


FIG. 6

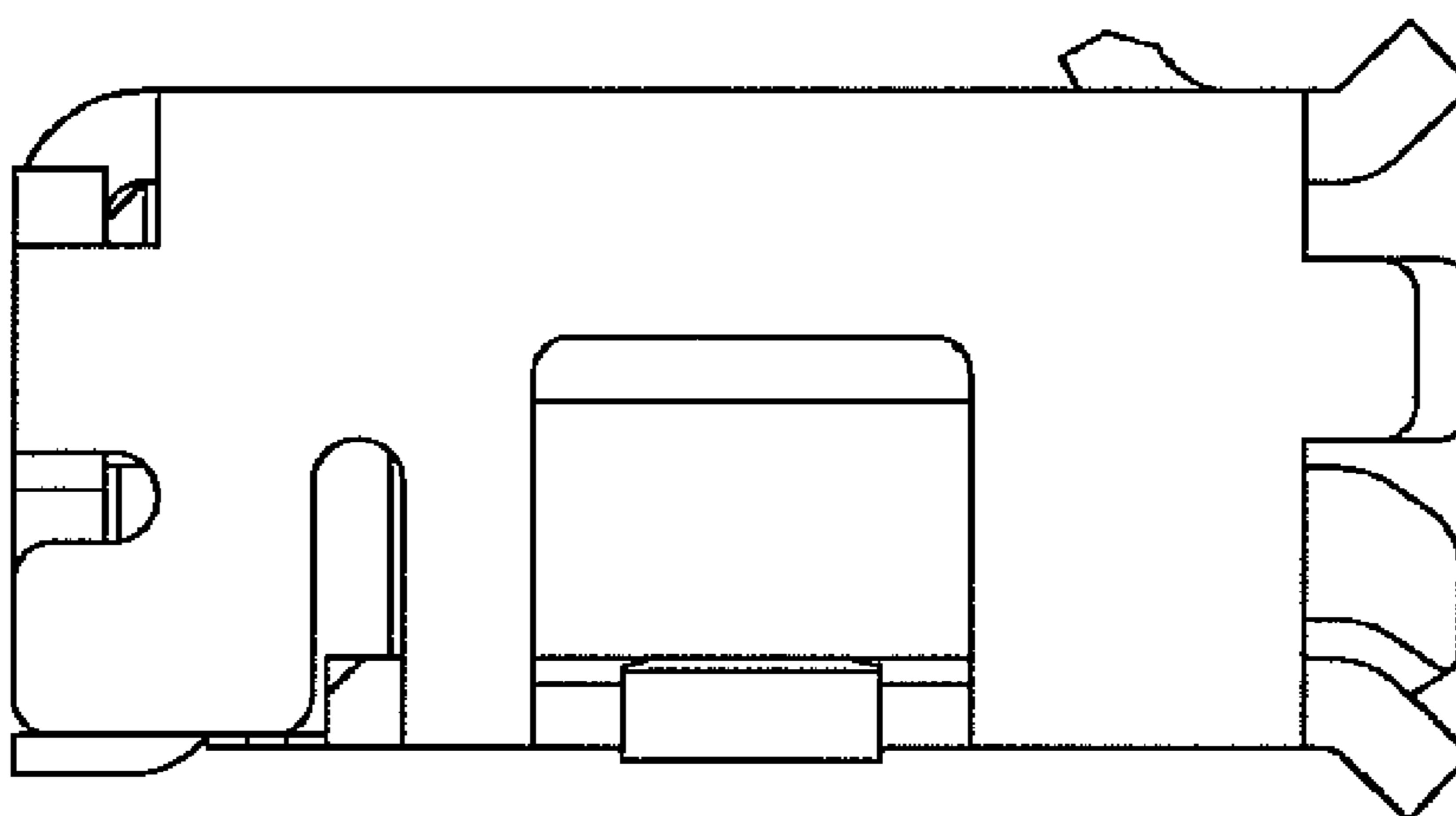


FIG. 7

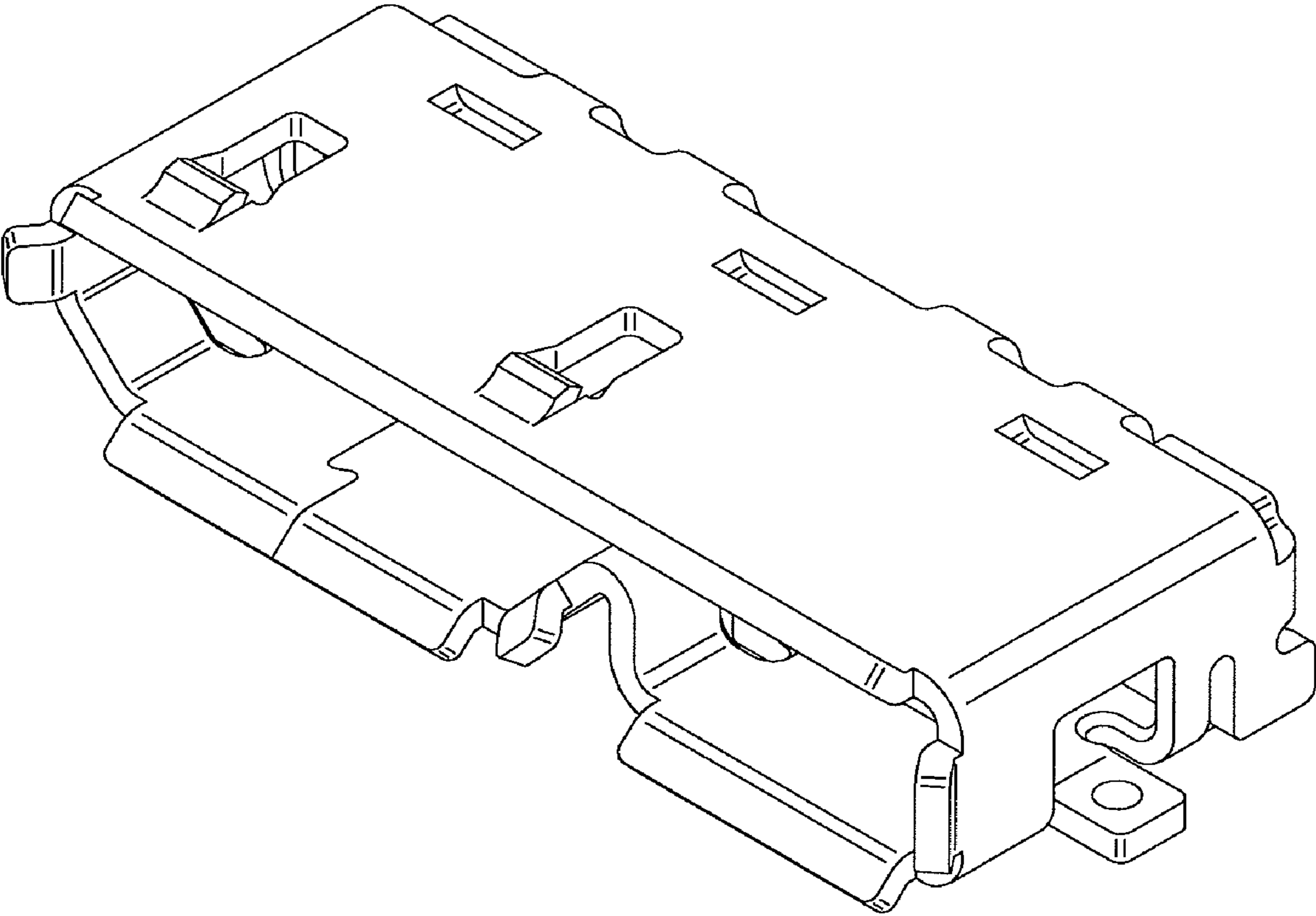




FIG. 8

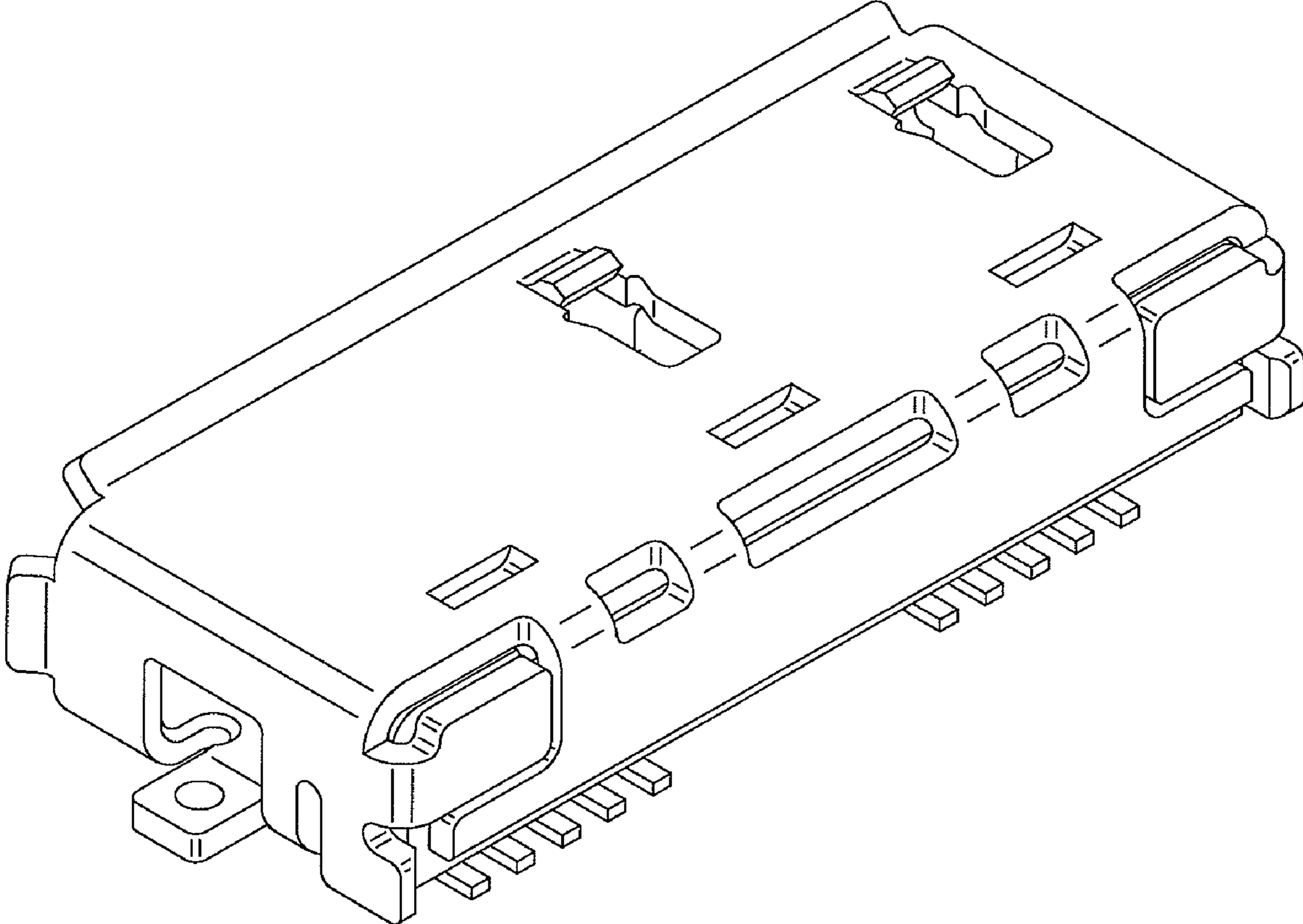


FIG. 9

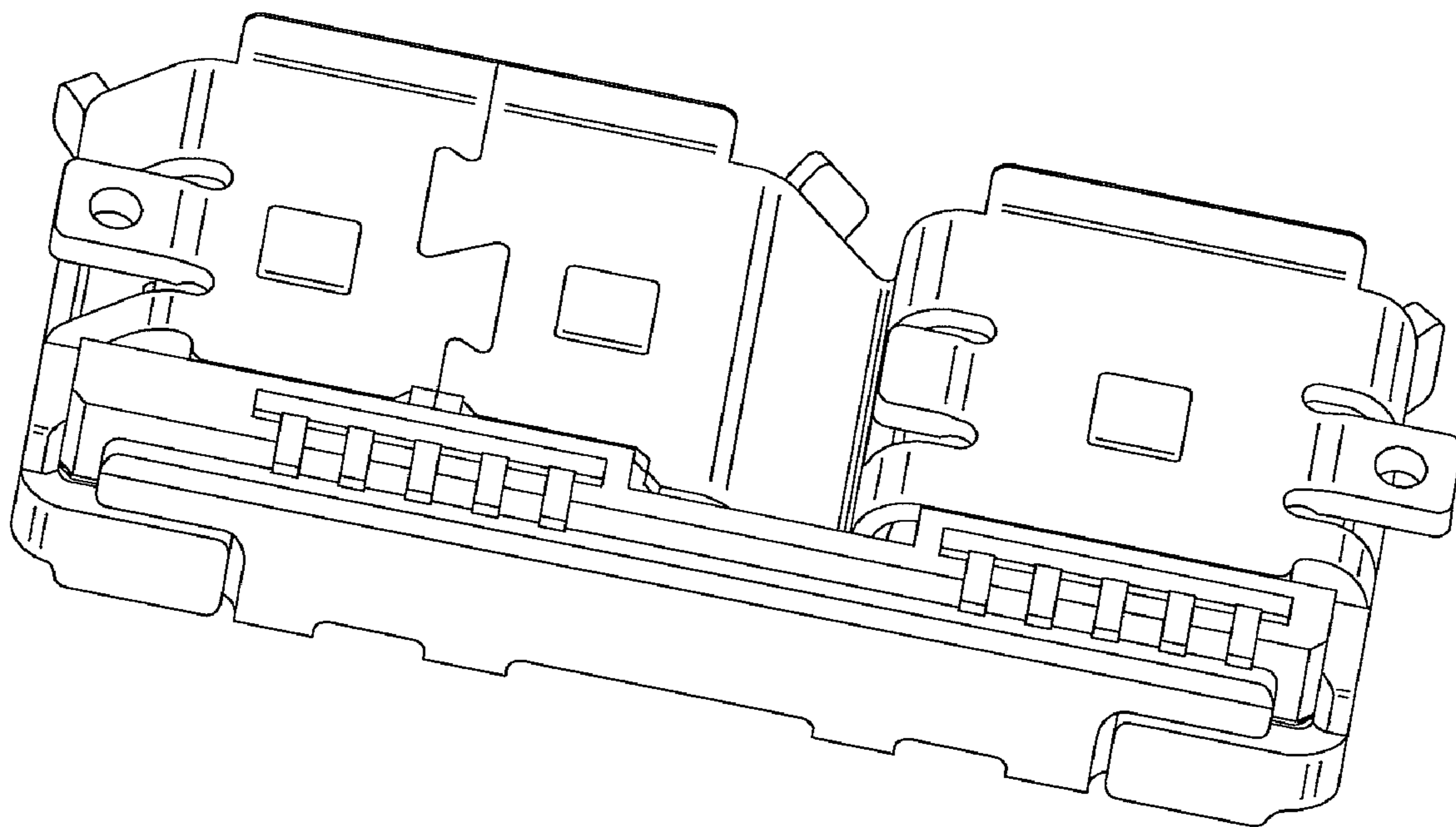


FIG. 10

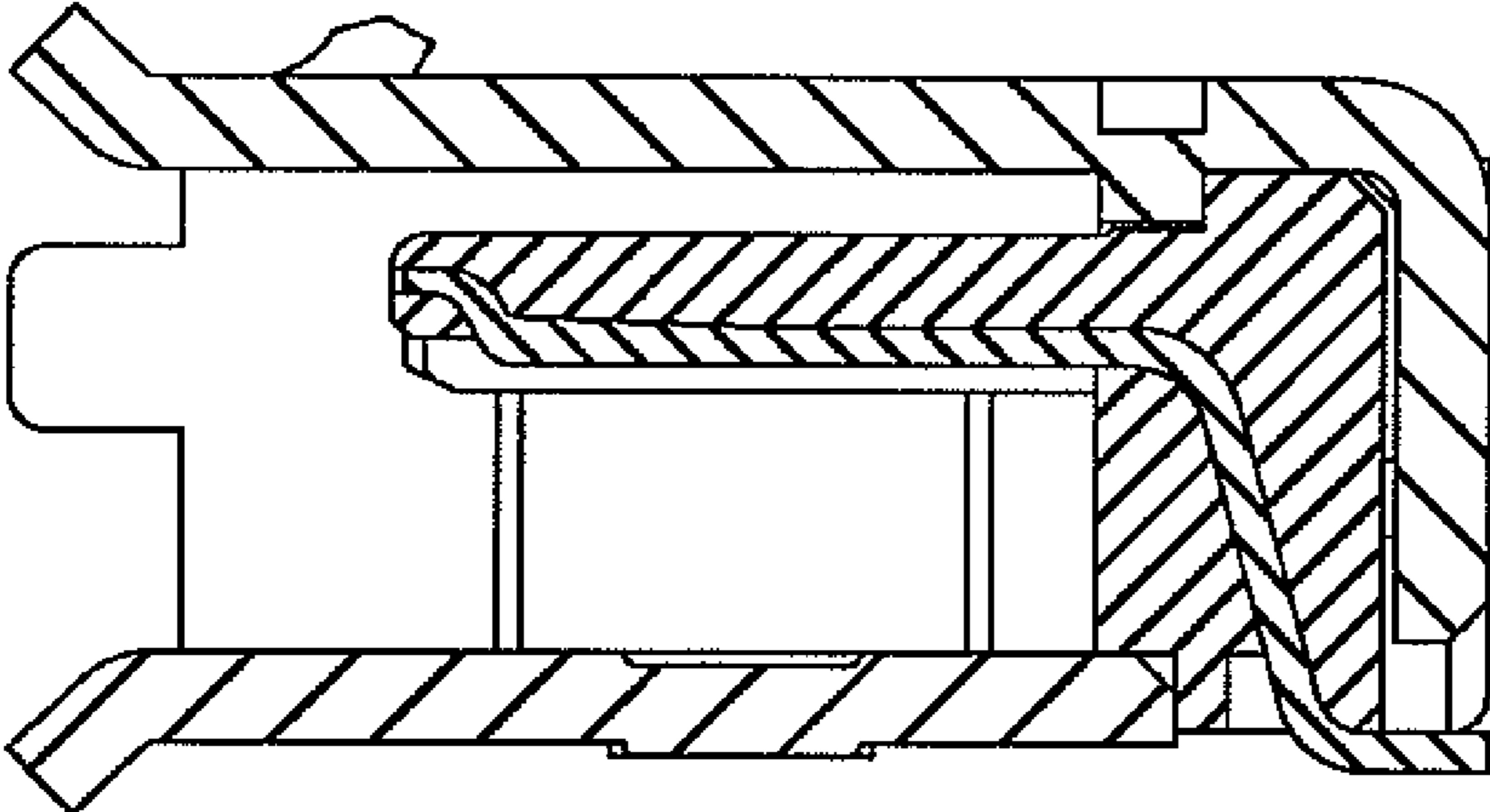


FIG. 11

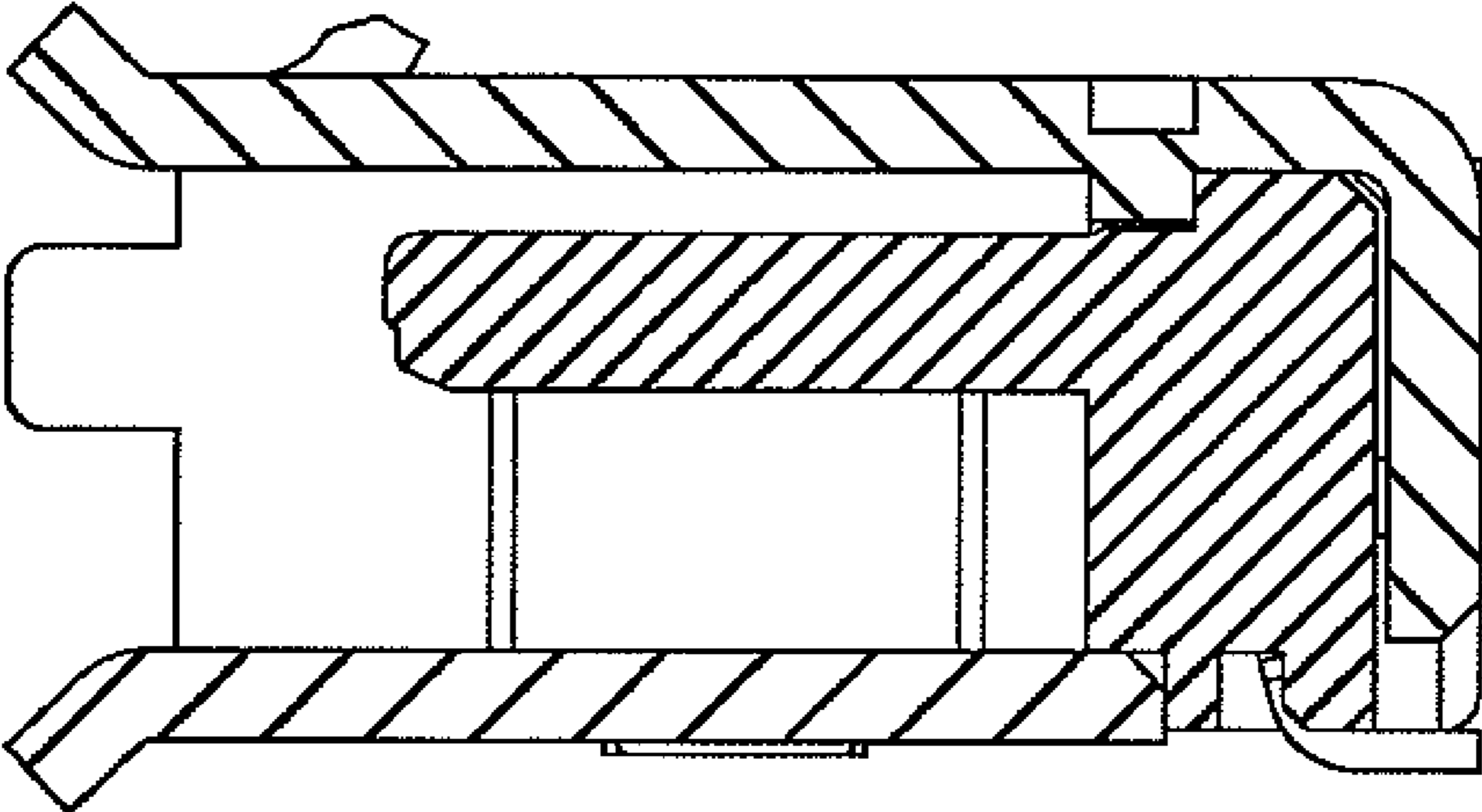


FIG. 12

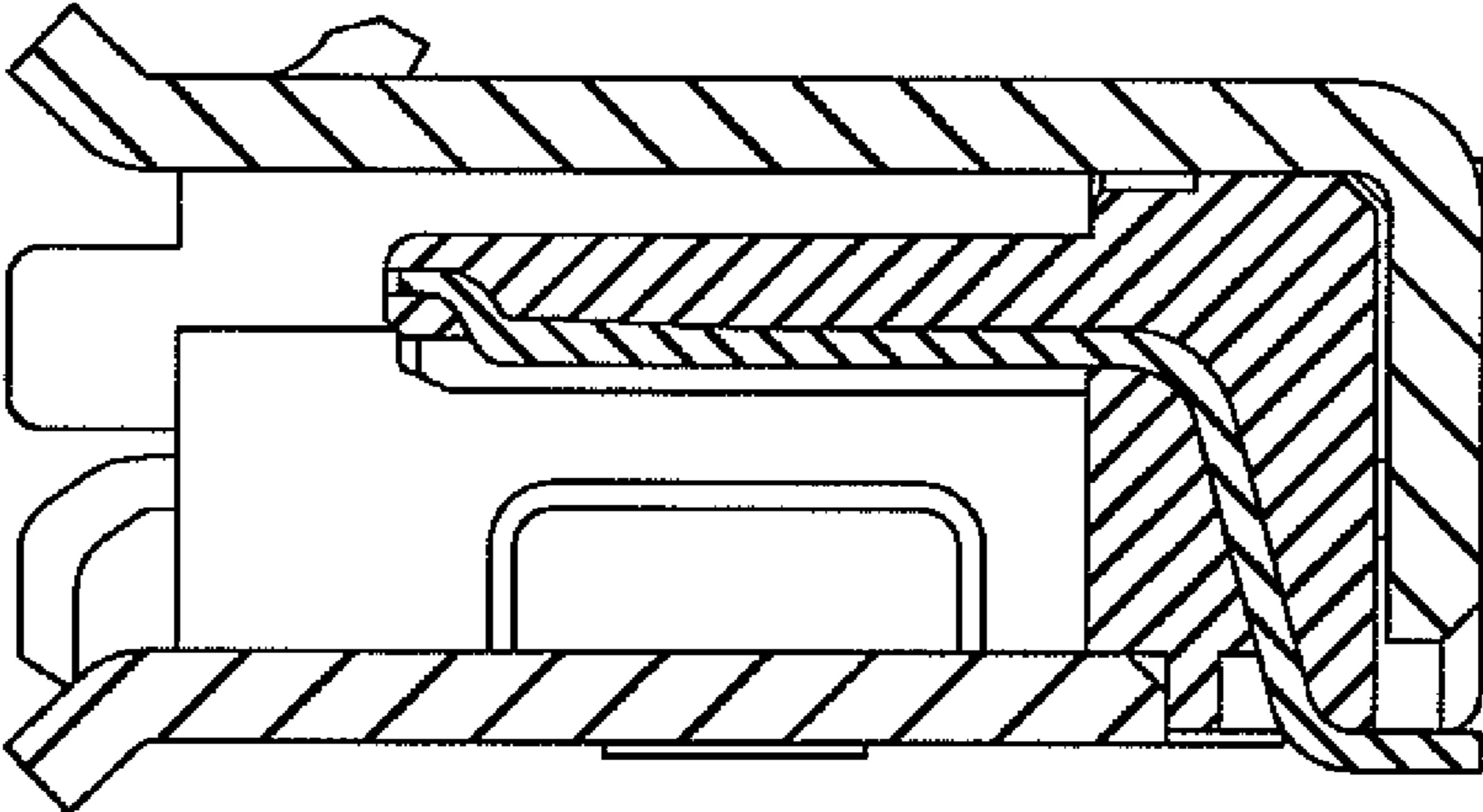


FIG. 13

