



US00D621786S

(12) **United States Design Patent**
Li

(10) **Patent No.:** **US D621,786 S**

(45) **Date of Patent:** **** Aug. 17, 2010**

(54) **ELECTRICAL CONNECTOR**

(75) Inventor: **Xiao-Feng Li**, Shenzhen (CN)

(73) Assignee: **Hon Hai Precision Ind. Co., Ltd.**,
Taipei Hsien (TW)

(**) Term: **14 Years**

(21) Appl. No.: **29/351,546**

(22) Filed: **Dec. 8, 2009**

(30) **Foreign Application Priority Data**

Jun. 8, 2009 (CN) 2009 3 0305566

(51) **LOC (9) Cl.** **13-03**

(52) **U.S. Cl.** **D13/147**

(58) **Field of Classification Search** D13/147,
D13/154, 184; 439/79, 108, 378, 476.1,
439/497, 567, 607-610, 668, 680

See application file for complete search history.

(56) **References Cited**

U.S. PATENT DOCUMENTS

D501,827 S * 2/2005 Konno et al. D13/147

D520,953 S * 5/2006 Moriwake et al. D13/147

D580,361 S * 11/2008 Zheng et al. D13/147

D602,870 S * 10/2009 Wu et al. D13/147
D611,910 S * 3/2010 Wang et al. D13/147
2006/0009072 A1 * 1/2006 Li 439/541.5

* cited by examiner

Primary Examiner—Daniel D Bui

(74) *Attorney, Agent, or Firm*—Wei Te Chung; Andrew C. Cheng; Ming Chieh Chang

(57) **CLAIM**

The ornamental design for an electrical connector, as shown and described.

DESCRIPTION

FIG. 1 is a top, front and left side perspective view of an electrical connector showing my new design;

FIG. 2 is a front elevational view thereof;

FIG. 3 is a rear elevational view thereof;

FIG. 4 is a left side elevational view thereof;

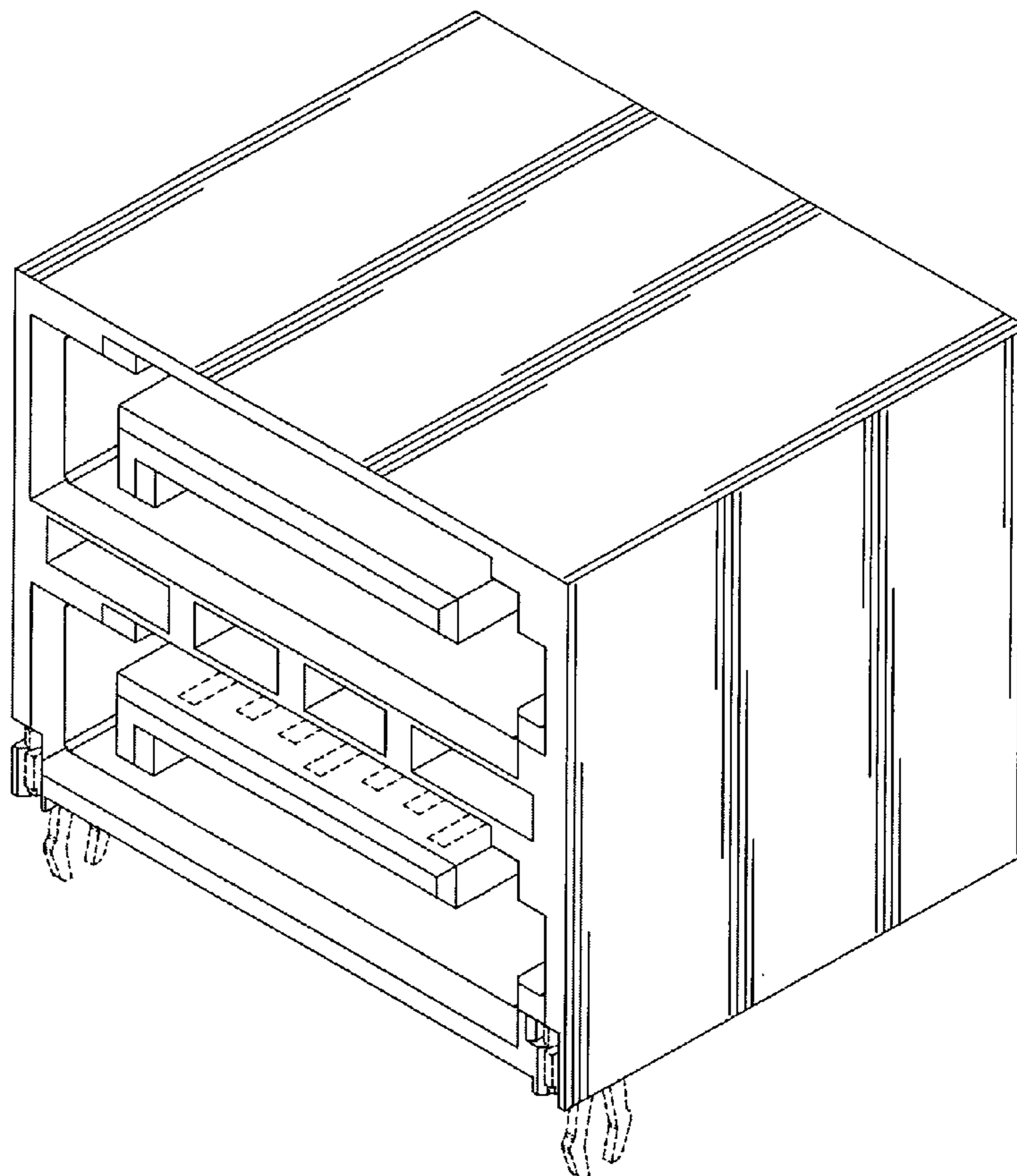
FIG. 5 is a right side elevational view thereof;

FIG. 6 is a top plan view thereof; and,

FIG. 7 is a bottom plan view thereof.

The broken line showing of the environment is for illustrative purpose only and forms no part of the claimed design.

1 Claim, 7 Drawing Sheets



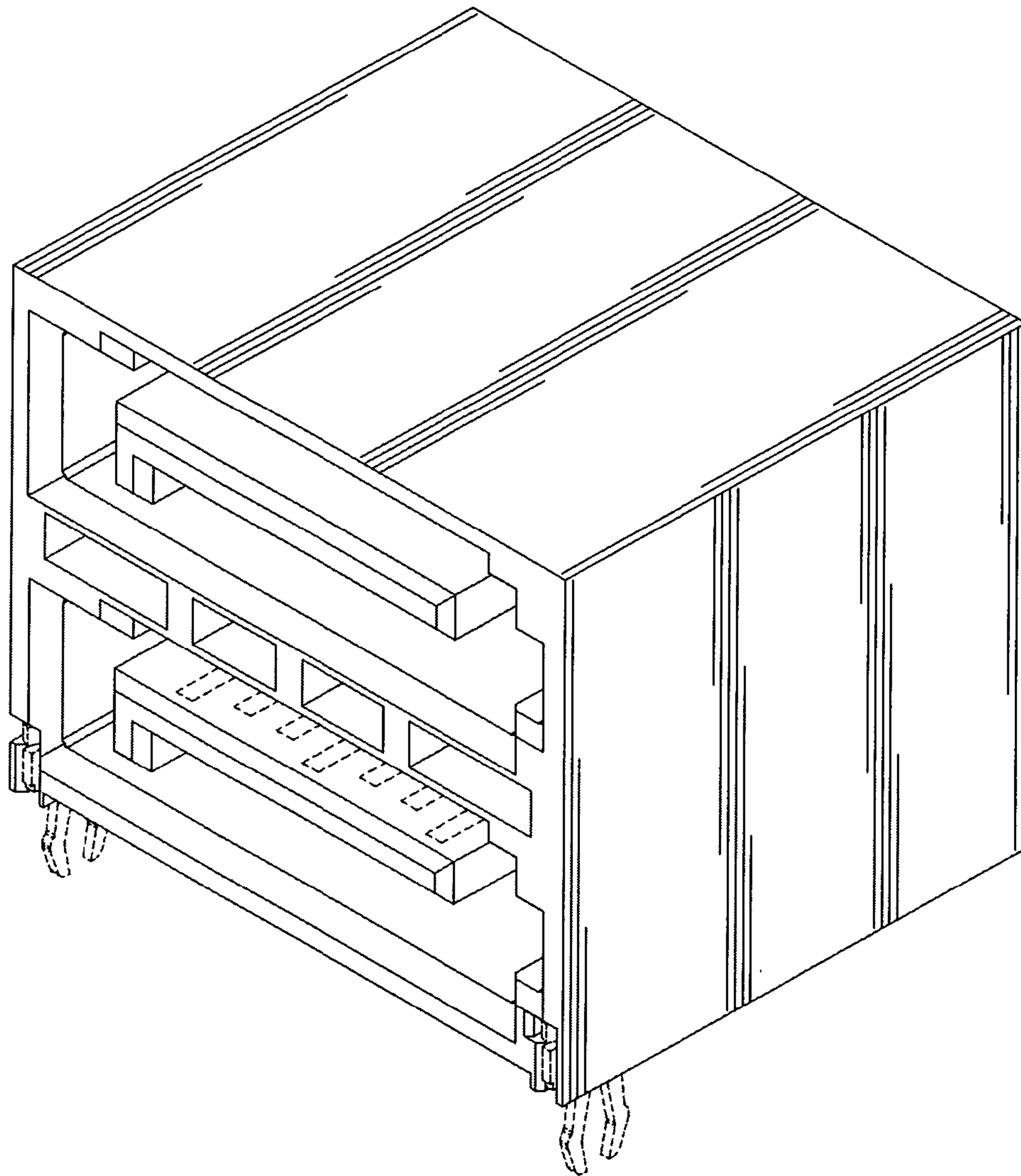


FIG. 1

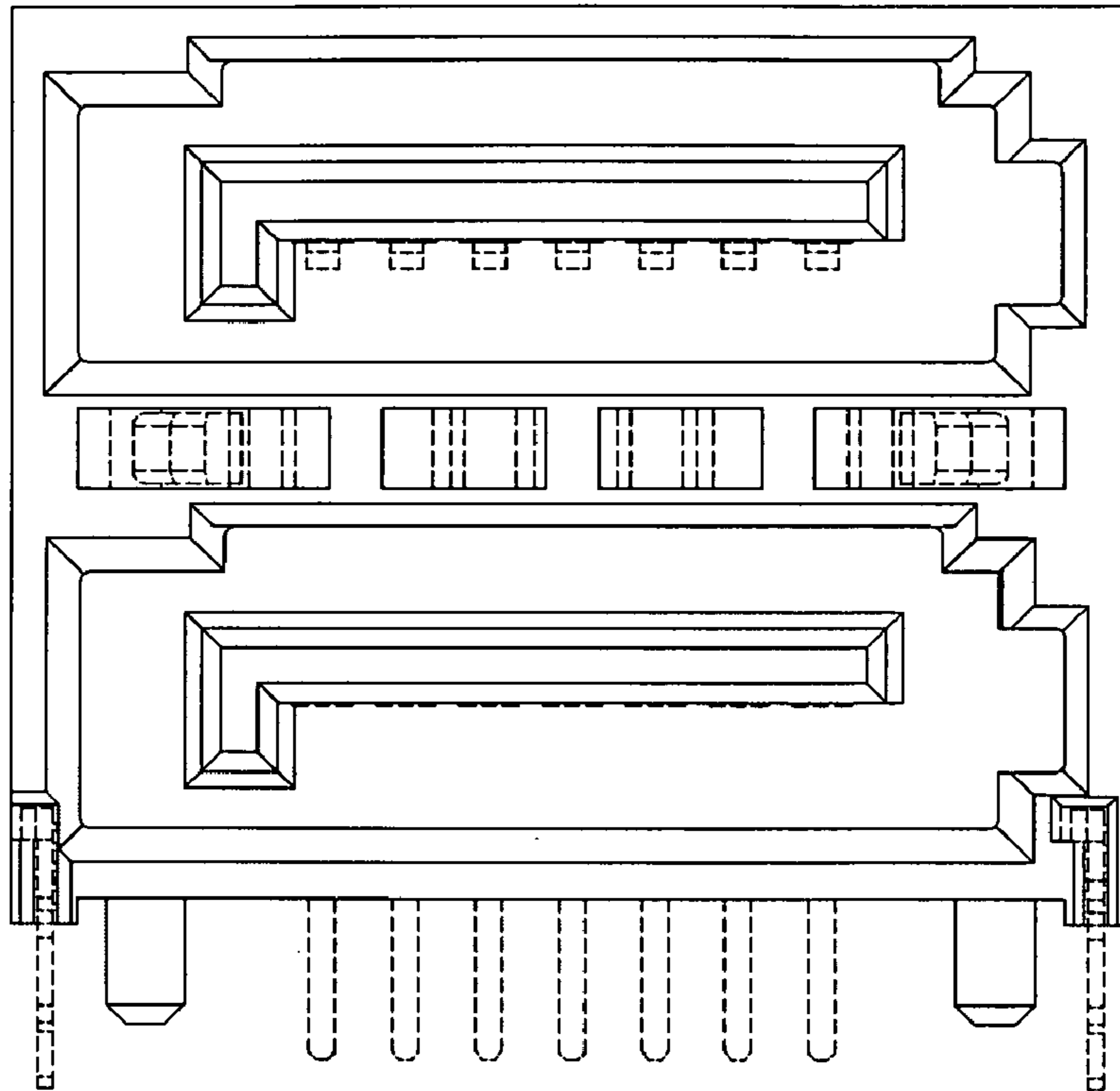


FIG. 2

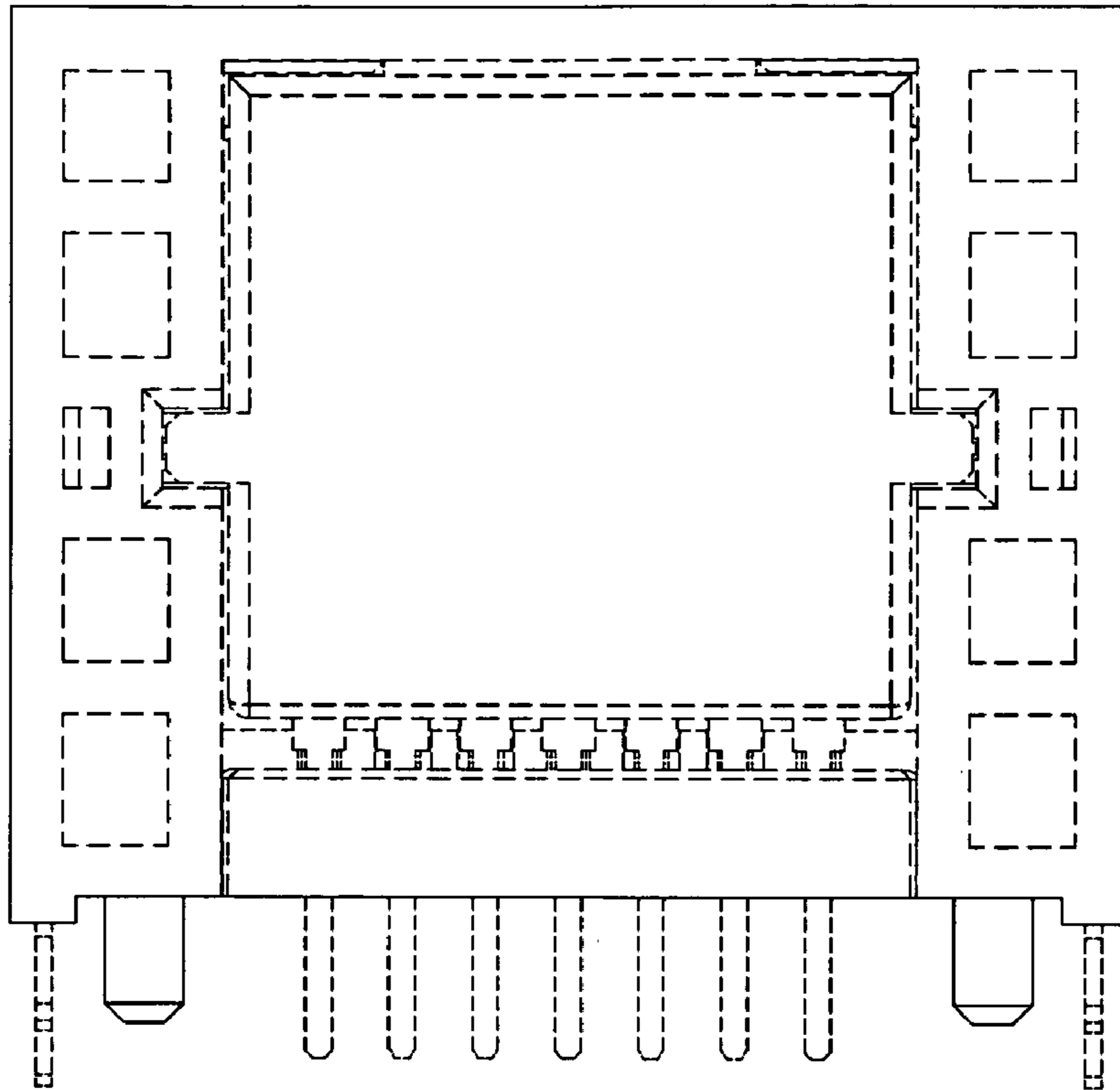


FIG. 3

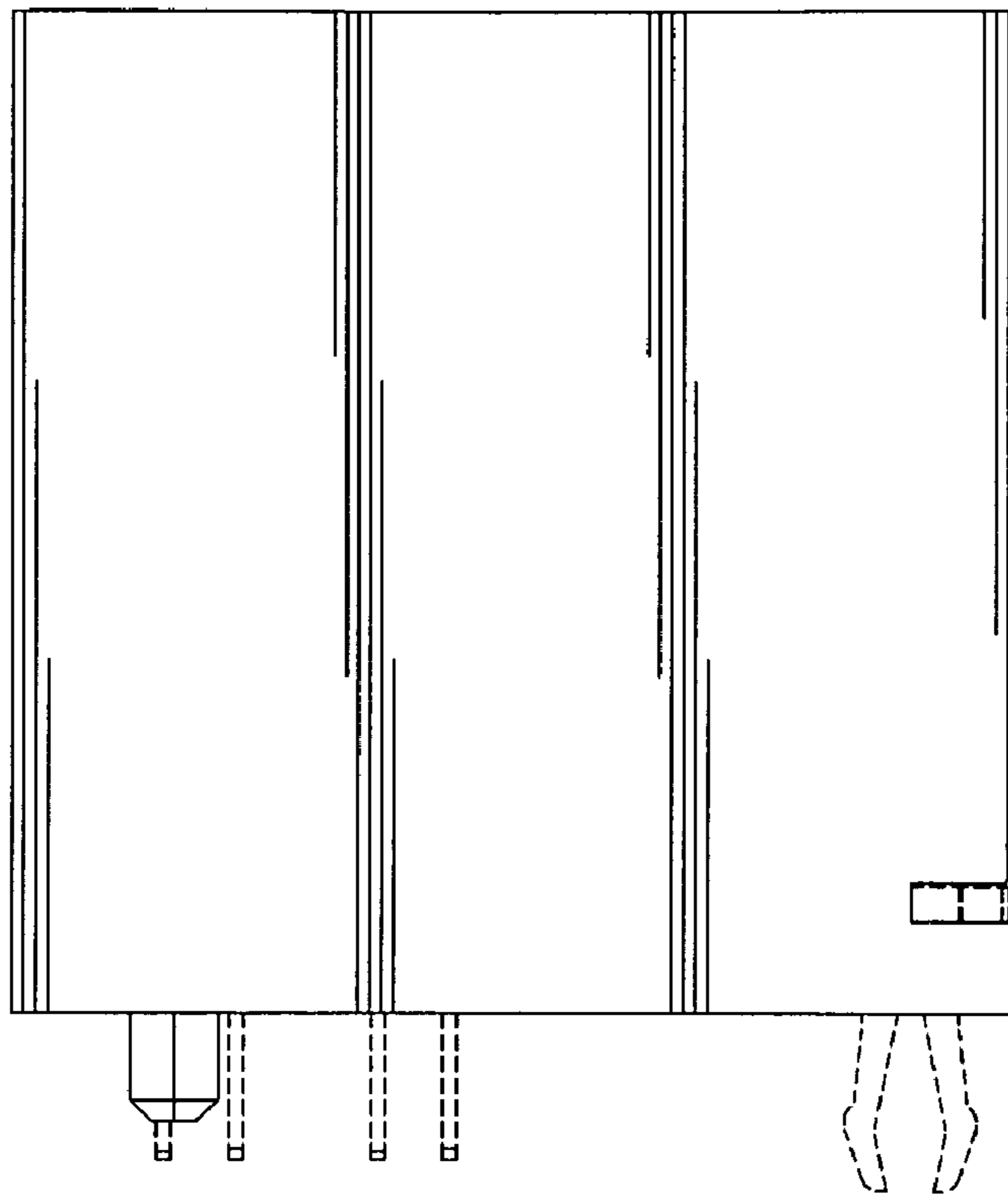


FIG. 4

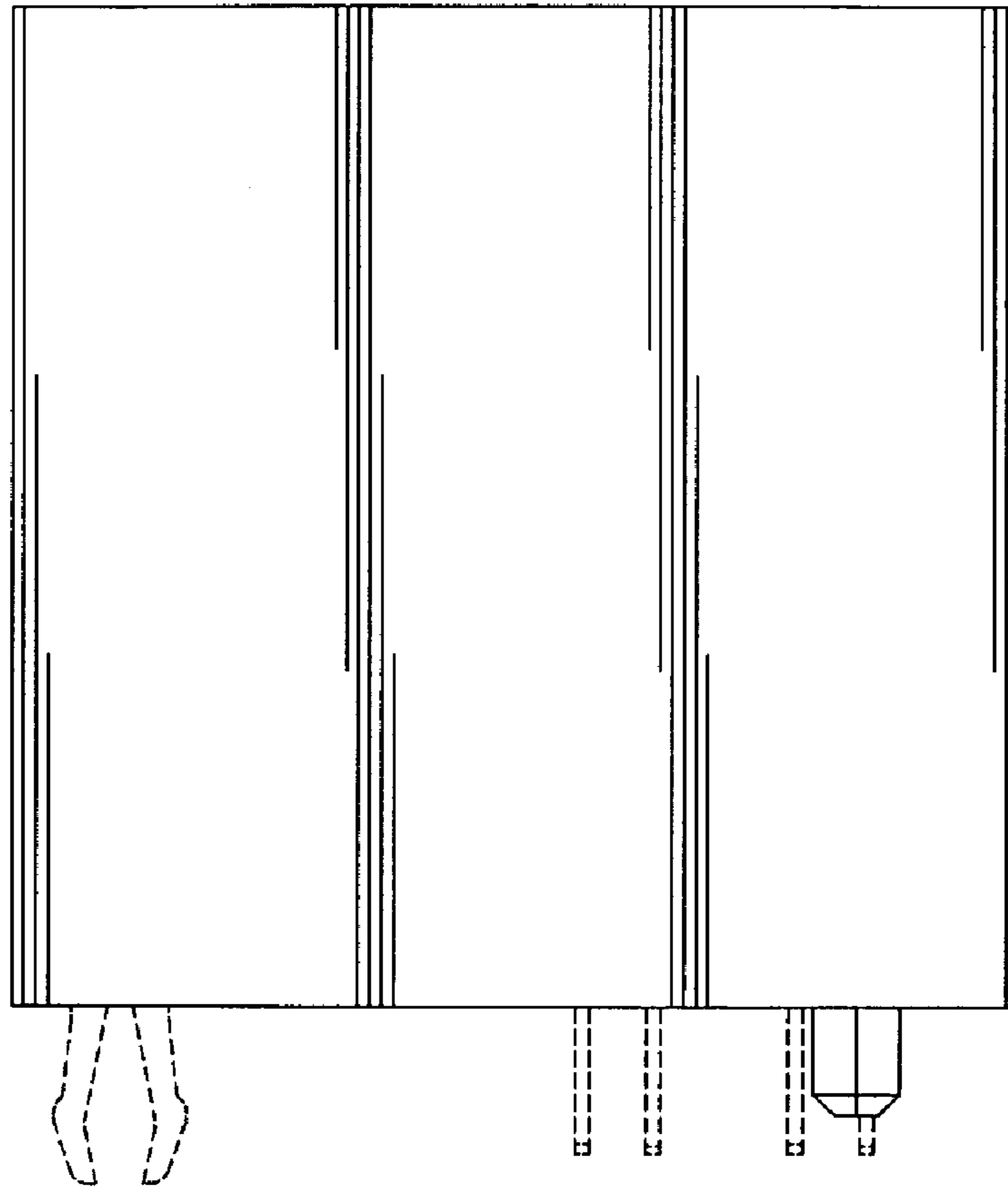


FIG. 5

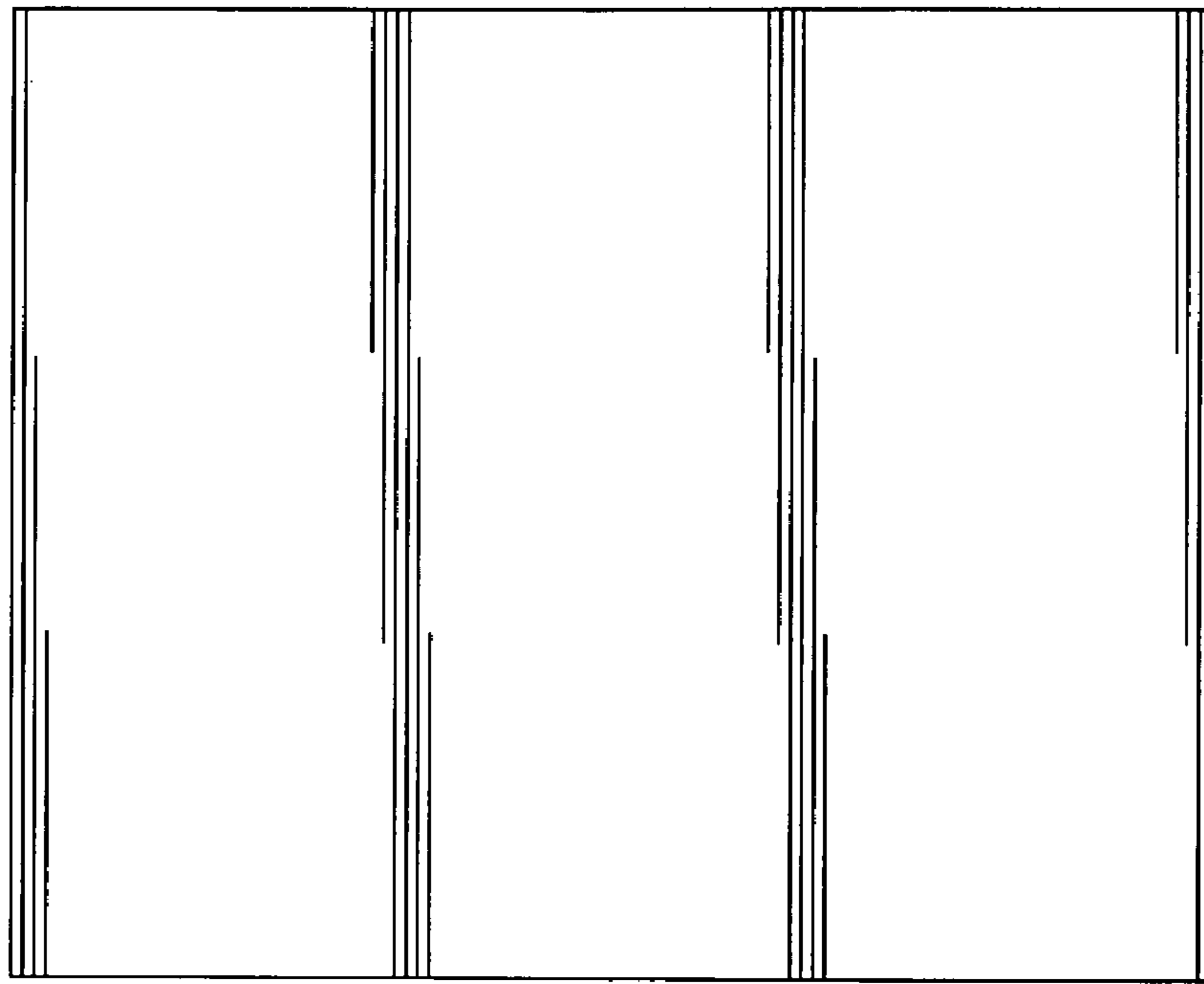


FIG. 6

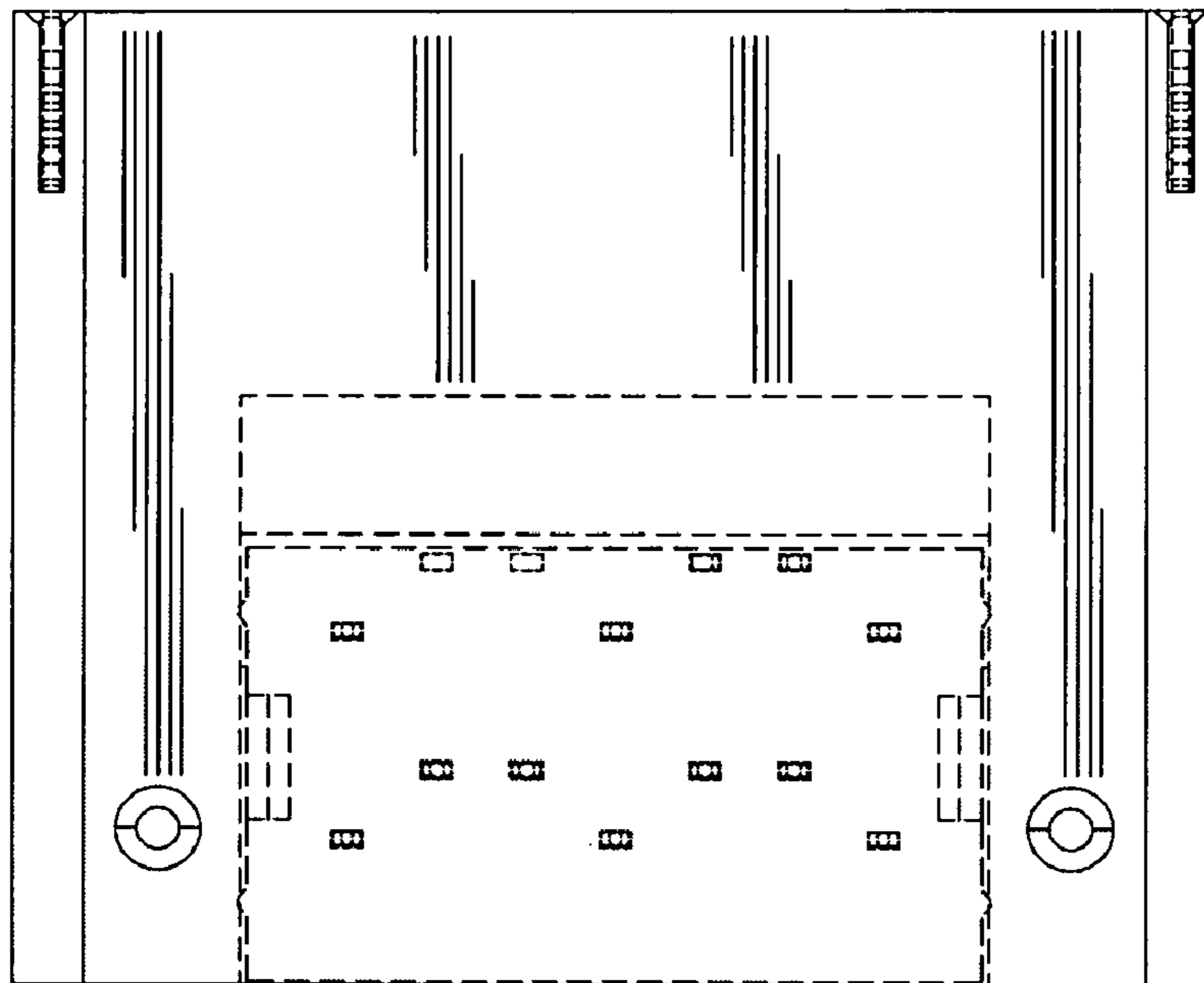


FIG. 7