



US00D621785S

(12) **United States Design Patent**
Nickol

(10) **Patent No.:** **US D621,785 S**

(45) **Date of Patent:** **** Aug. 17, 2010**

(54) **CONNECTOR**

(75) Inventor: **Marcell Nickol**, Creuzburg/Scherbda
(DE)

(73) Assignee: **Weidmueller Interface GmbH & Co.**
KG, Detmold (DE)

(**) Term: **14 Years**

(21) Appl. No.: **29/347,210**

(22) Filed: **Oct. 27, 2009**

(30) **Foreign Application Priority Data**

Apr. 28, 2009 (EM) 001130033

(51) **LOC (9) Cl.** **13-03**

(52) **U.S. Cl.** **D13/147**

(58) **Field of Classification Search** D13/133,
D13/147, 154, 184; 439/13, 271, 344, 350-354,
439/357-358, 445-447, 587, 607-610, 654,
439/676, 686

See application file for complete search history.

(56) **References Cited**

U.S. PATENT DOCUMENTS

D399,047 S * 10/1998 Yoshida et al. D13/147
D467,548 S * 12/2002 Zhu et al. D13/147

D555,597 S * 11/2007 Phung et al. D13/154
D564,966 S * 3/2008 Shifris D13/147
D611,423 S * 3/2010 Aldridge D13/147

* cited by examiner

Primary Examiner—Daniel D Bui

(74) *Attorney, Agent, or Firm*—Crowell & Moring LLP

(57) **CLAIM**

The ornamental design for a connector, as shown and described.

DESCRIPTION

FIG. 1 is a top, rear and left side perspective view of a connector showing my new design. The top, rear and right side perspective view thereof being a mirror image thereto;

FIG. 2 is a left side elevation view thereof, the right side elevation view being a mirror image thereto;

FIG. 3 is a top plan view thereof;

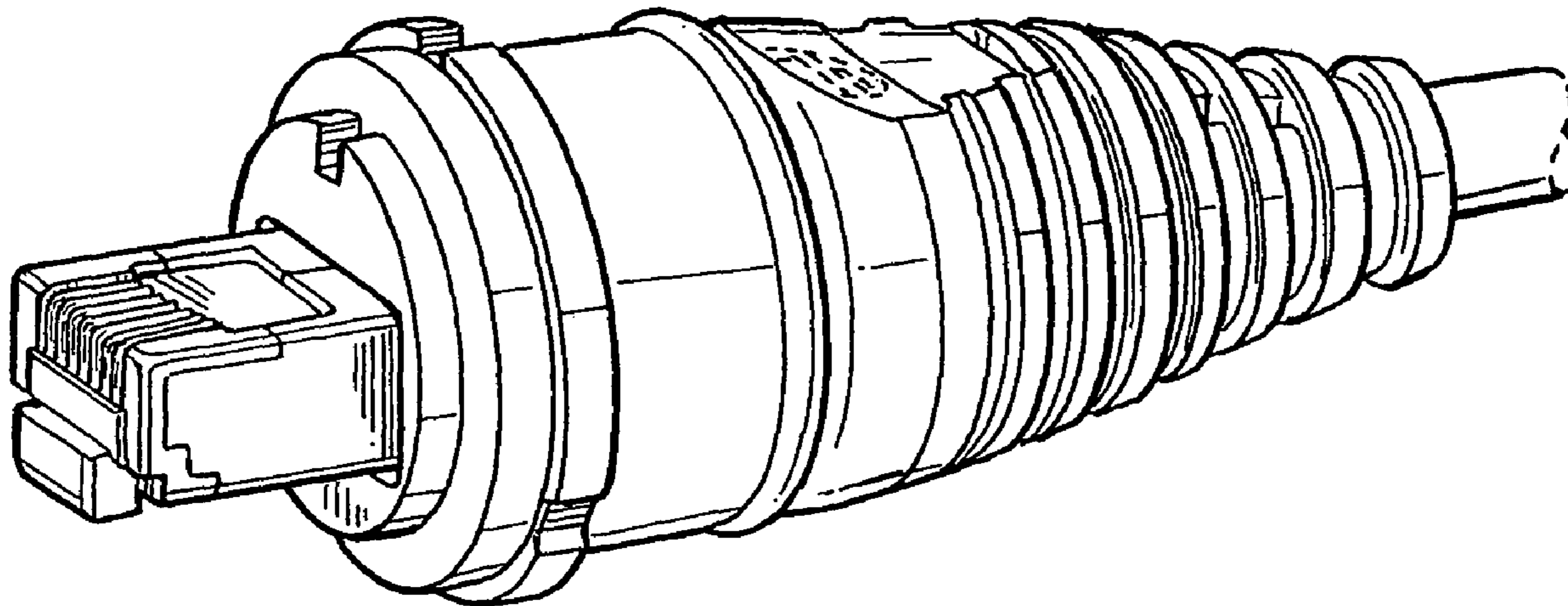
FIG. 4 is a bottom plan view thereof;

FIG. 5 is a rear elevation view thereof; and,

FIG. 6 is a front elevation view thereof.

The broken line portion of the figure drawings is included to show unclaimed subject matter only and forms no part of the claimed design.

1 Claim, 2 Drawing Sheets



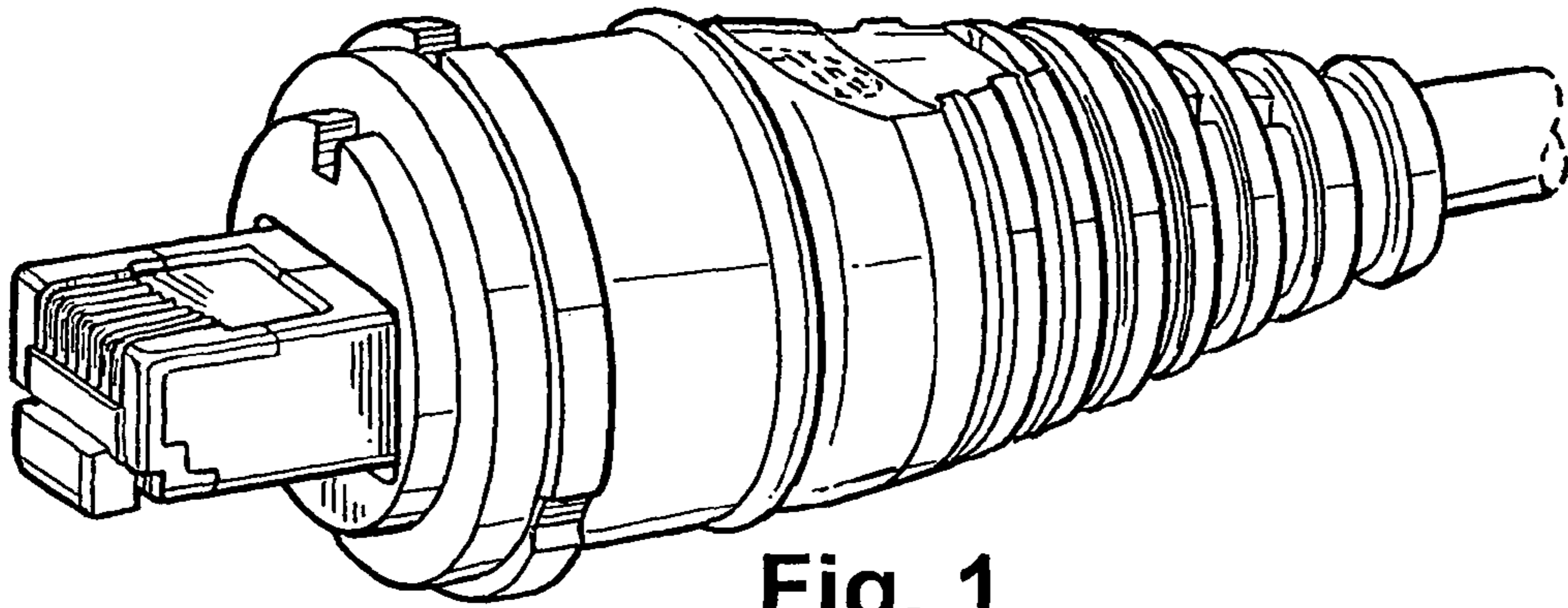


Fig. 1

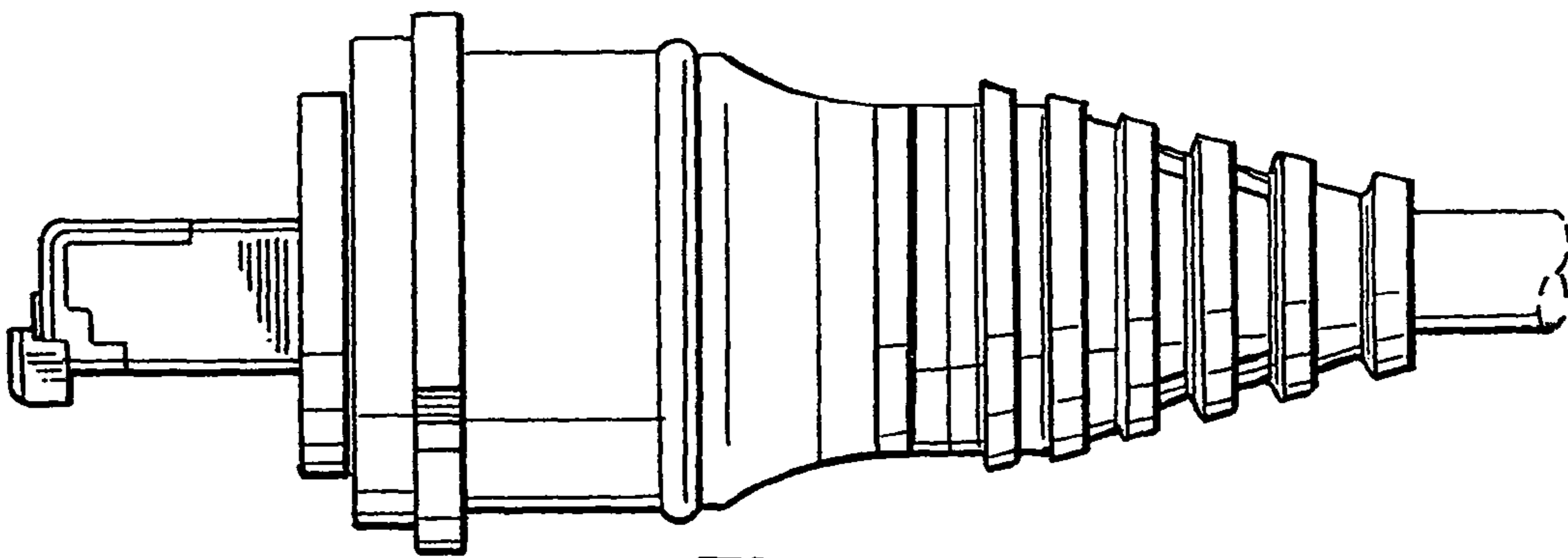


Fig. 2

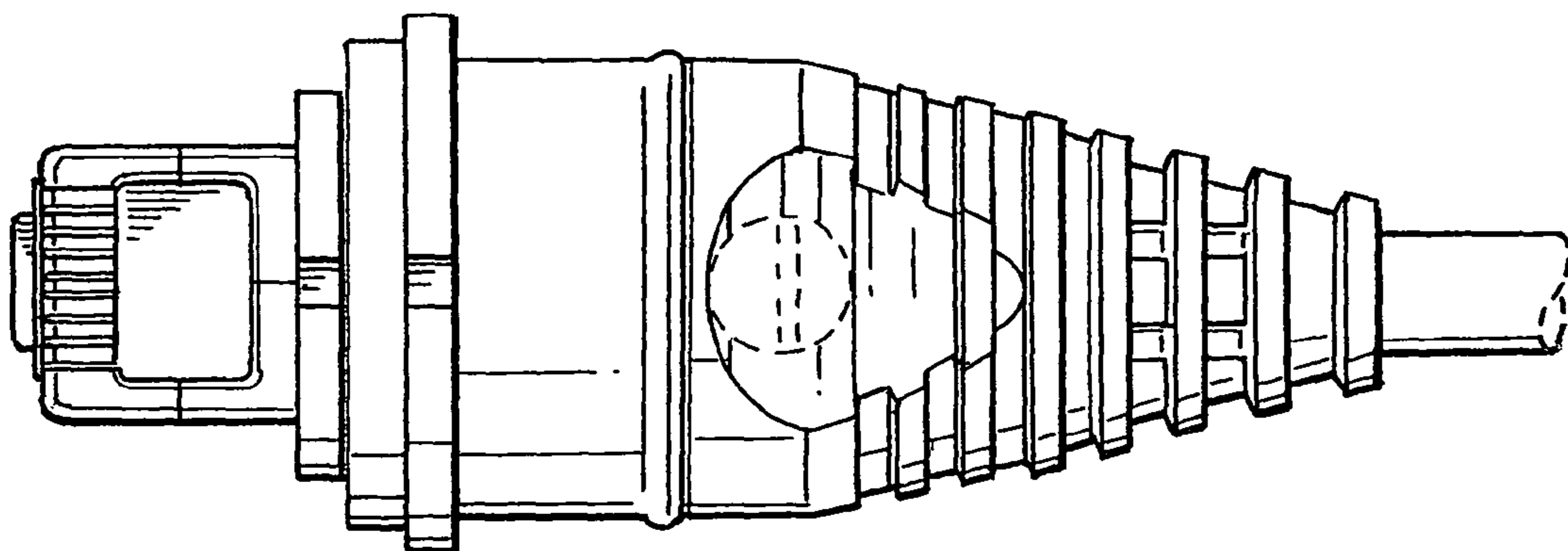


Fig. 3

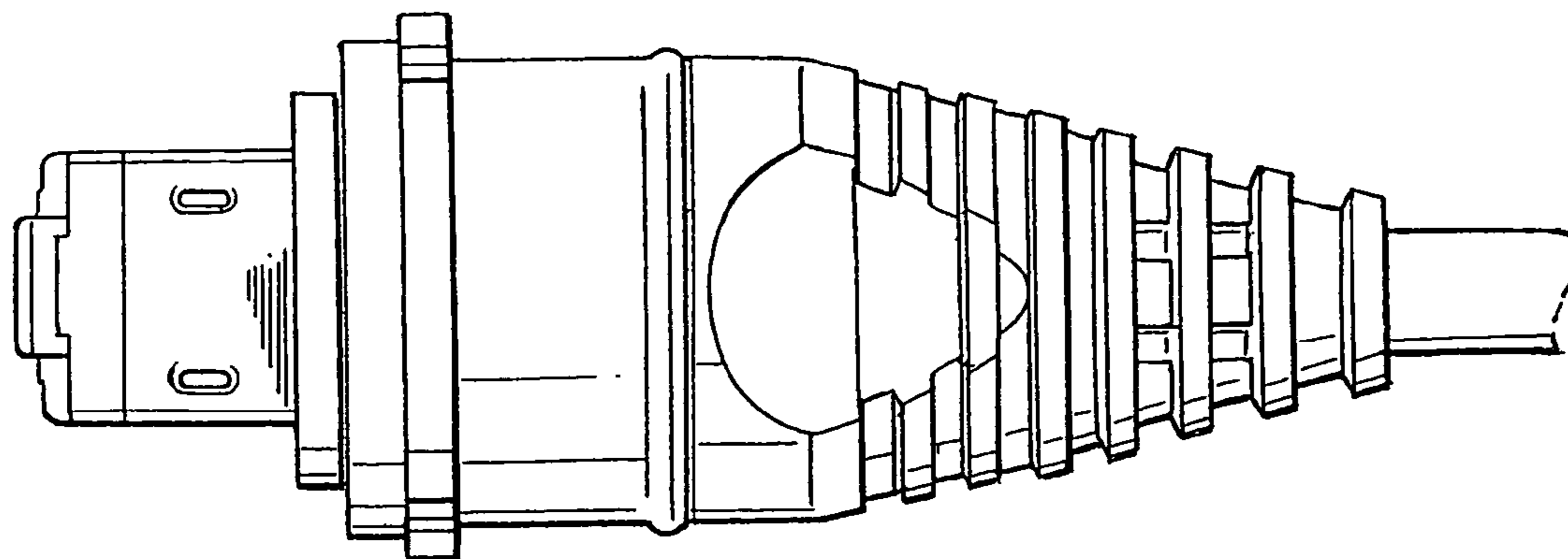


Fig. 4

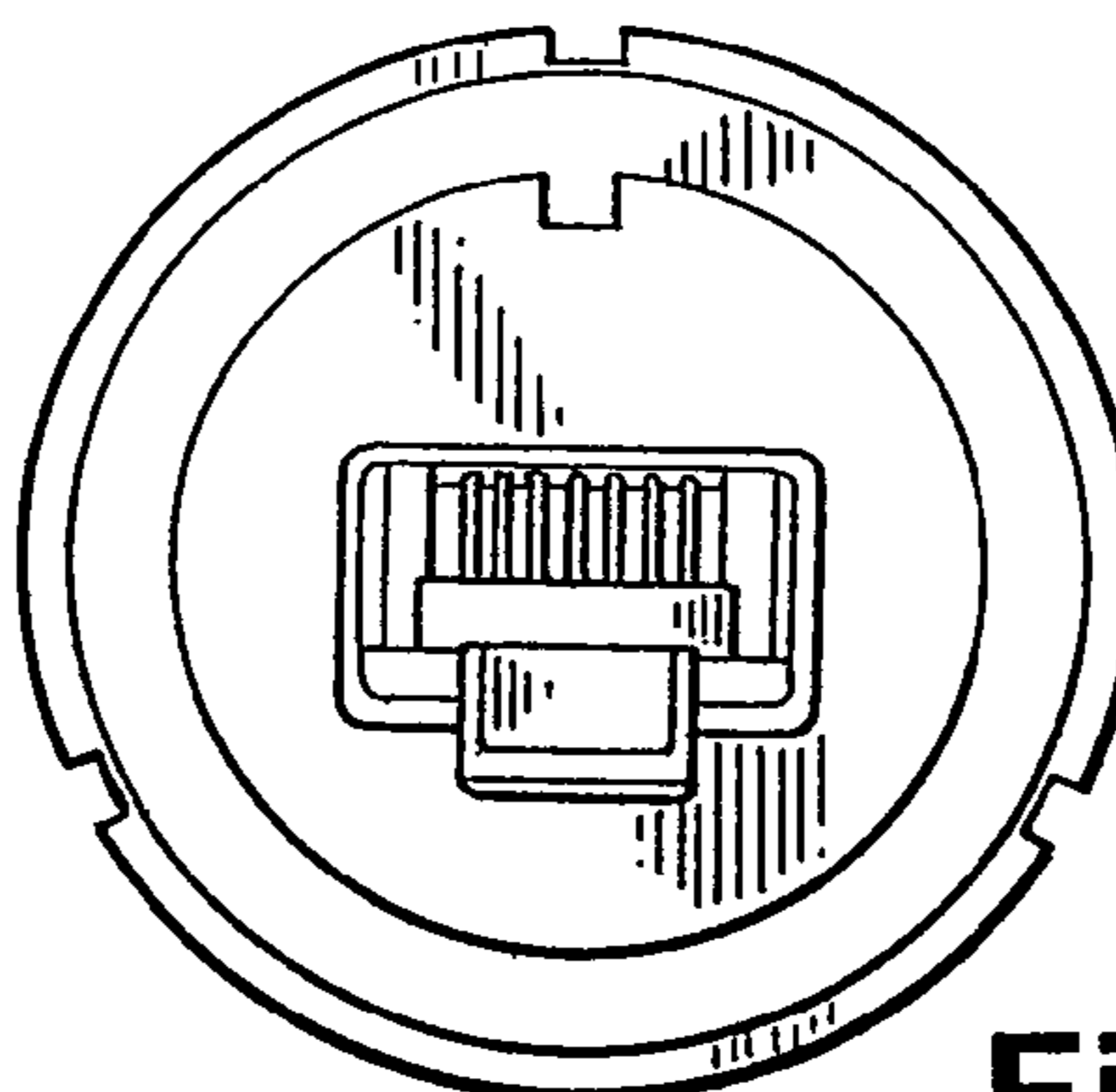


Fig. 5

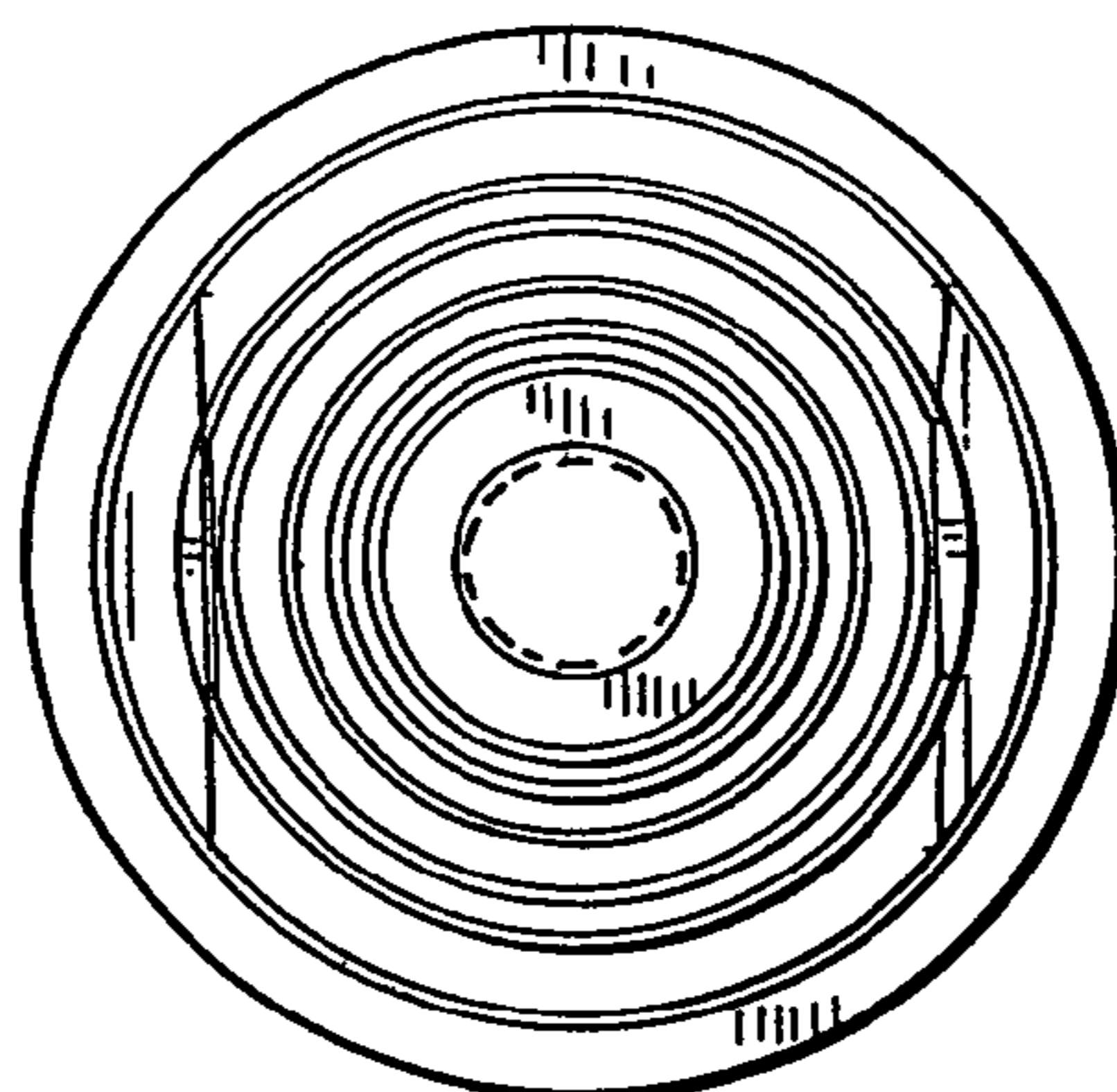


Fig. 6