



US00D621784S

(12) **United States Design Patent**
Bower et al.

(10) **Patent No.:** **US D621,784 S**

(45) **Date of Patent:** **** Aug. 17, 2010**

(54) **MODULAR TEST PLUG**

D598,858 S * 8/2009 Stromiedel et al. D13/133
2006/0199439 A1 * 9/2006 Mertz et al. 439/709

(75) Inventors: **Andrew Bower**, Amherst, NH (US);
Tim Masters, Boca Raton, FL (US);
Roy Ball, Coral Springs, FL (US)

* cited by examiner

Primary Examiner—Daniel D Bui

(73) Assignee: **ABB Technology AG**, Zurich (CH)

(74) *Attorney, Agent, or Firm*—Michael C. Prewitt

(**) Term: **14 Years**

(57) **CLAIM**

(21) Appl. No.: **29/342,019**

The ornamental design for a modular test plug, as shown and described.

(22) Filed: **Aug. 17, 2009**

DESCRIPTION

(51) **LOC (9) Cl.** **13-03**

FIG. 1 is a top, front and right side perspective view of a modular test plug showing our new design;

(52) **U.S. Cl.** **D13/147**

FIG. 2 is a bottom view thereof;

(58) **Field of Classification Search** D13/133,
D13/146–147, 154, 184; 439/412–413, 521,
439/709, 810–811; 361/823

FIG. 3 is a top view thereof;

See application file for complete search history.

FIG. 4 is a rear view thereof;

(56) **References Cited**

FIG. 5 is a front view thereof;

U.S. PATENT DOCUMENTS

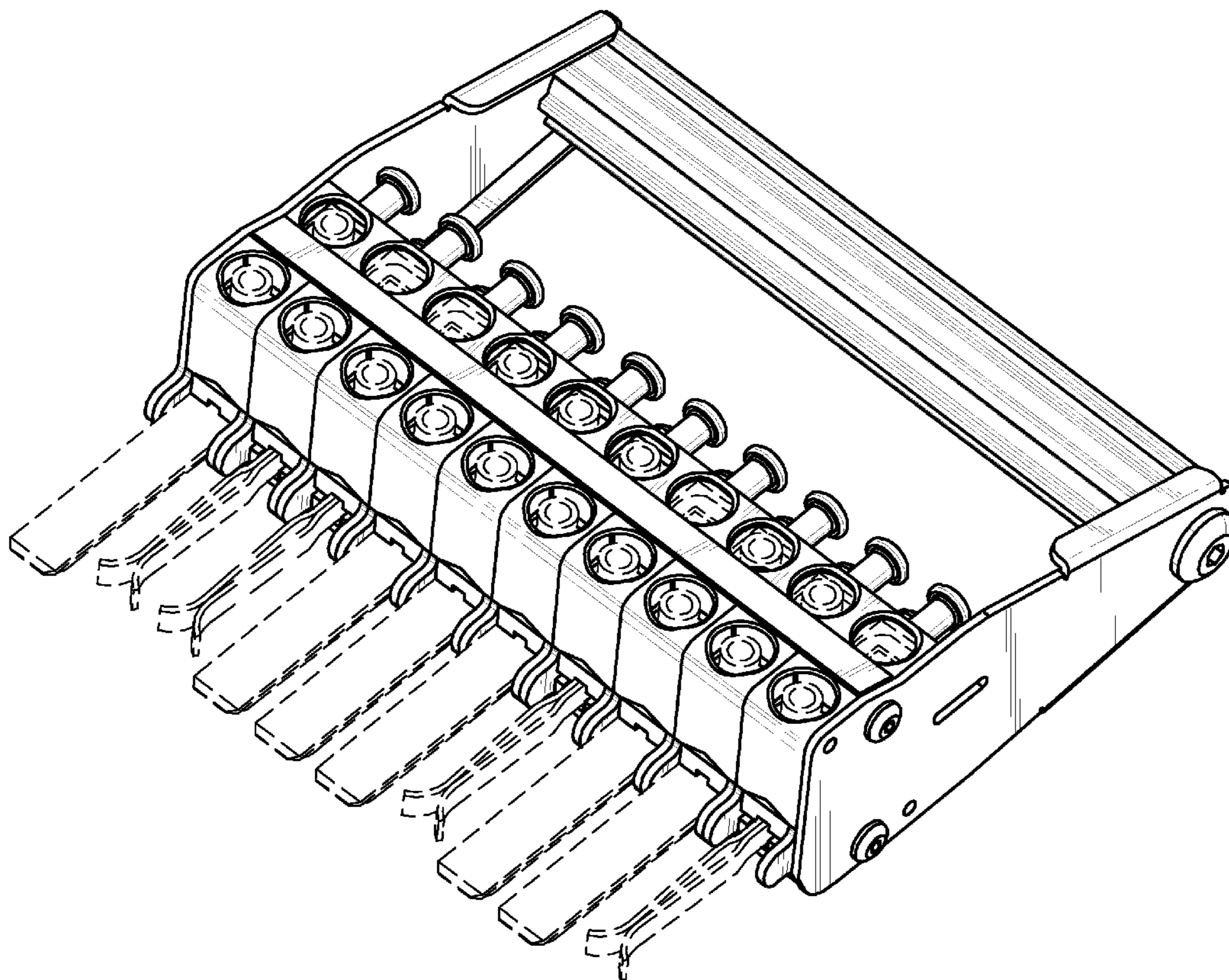
FIG. 6 is a left side view thereof; and,

D335,487 S *	5/1993	Volk et al.	D13/147
D396,475 S *	7/1998	Bradshaw et al.	D14/256
D530,679 S *	10/2006	Li et al.	D13/149
D593,951 S *	6/2009	Yoon	D13/147
7,553,199 B2 *	6/2009	Correll	439/715
D598,857 S *	8/2009	Stromiedel et al.	D13/133

FIG. 7 is a right side view thereof;

The broken line portion of the figure drawings is included to show unclaimed subject matter only and forms no part of the claimed design.

1 Claim, 7 Drawing Sheets



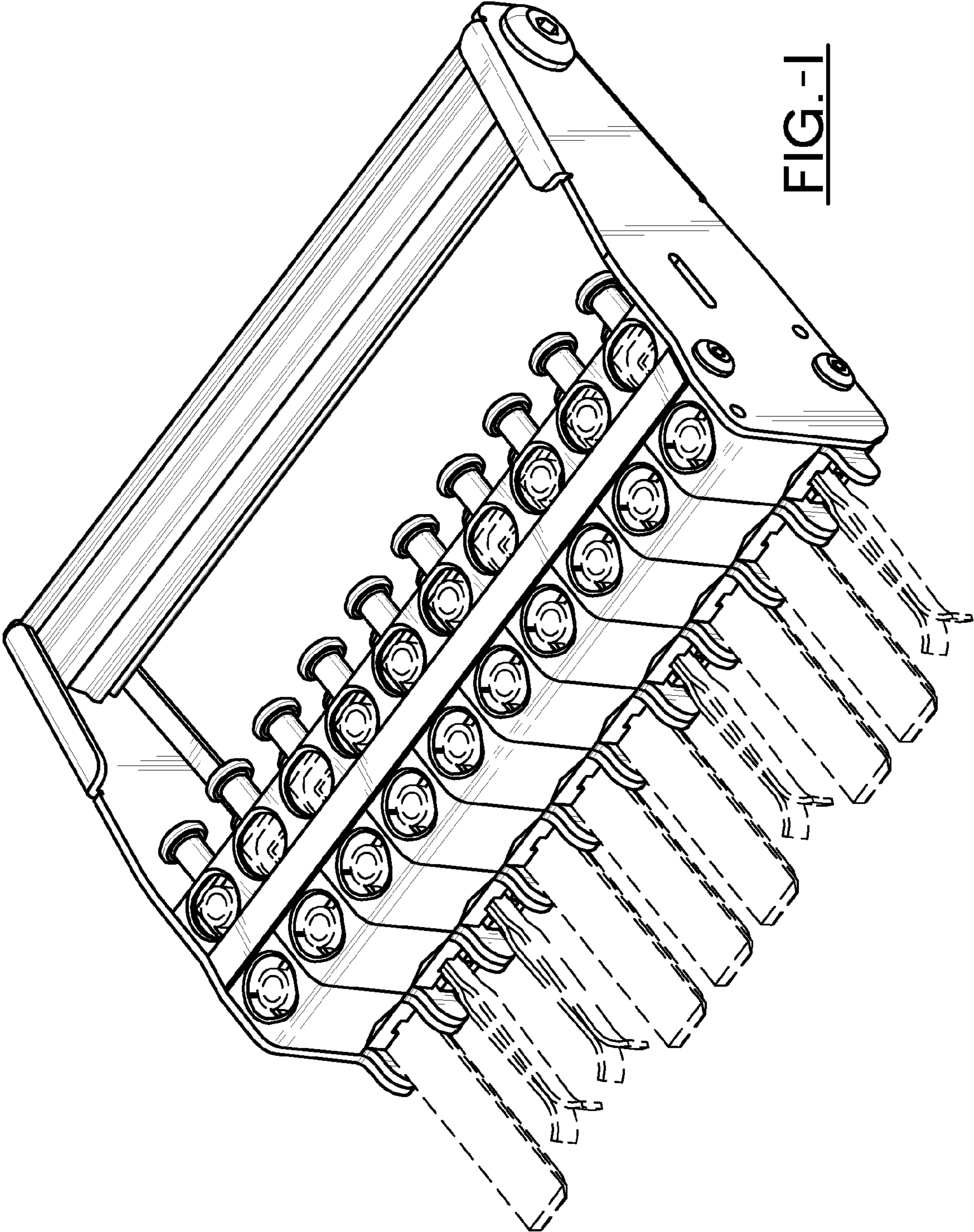


FIG.-1

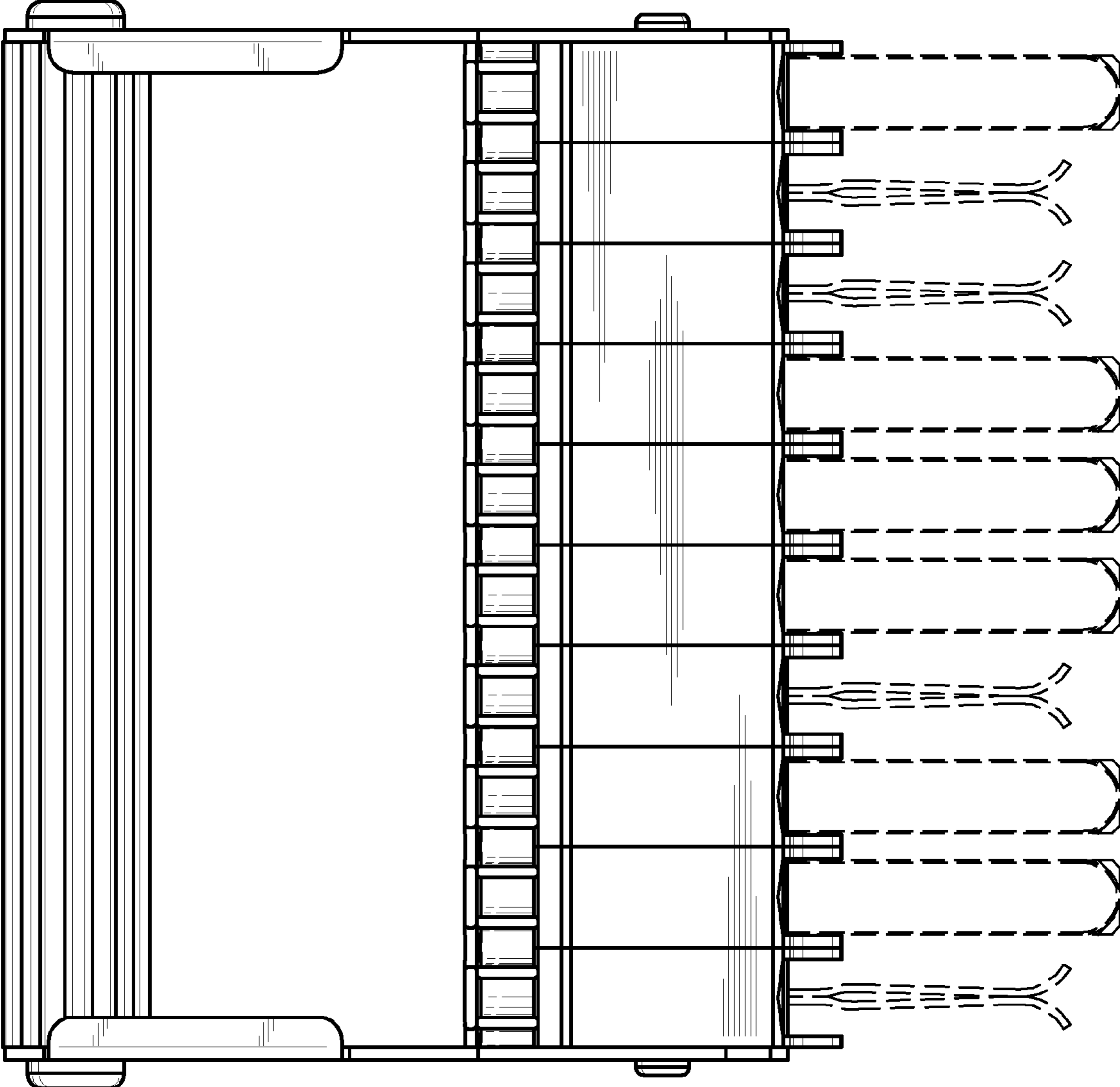


FIG.-2

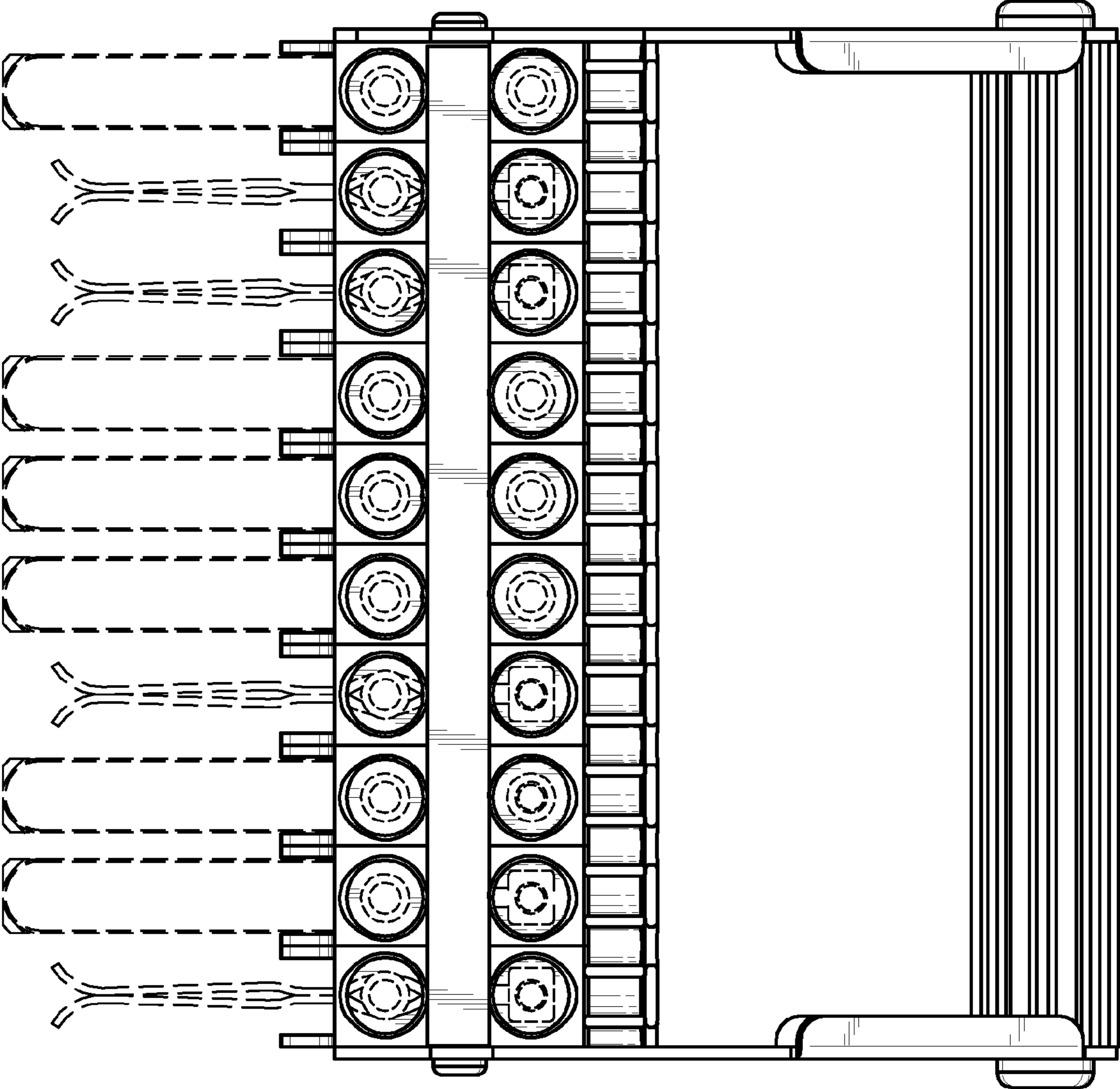


FIG.-3

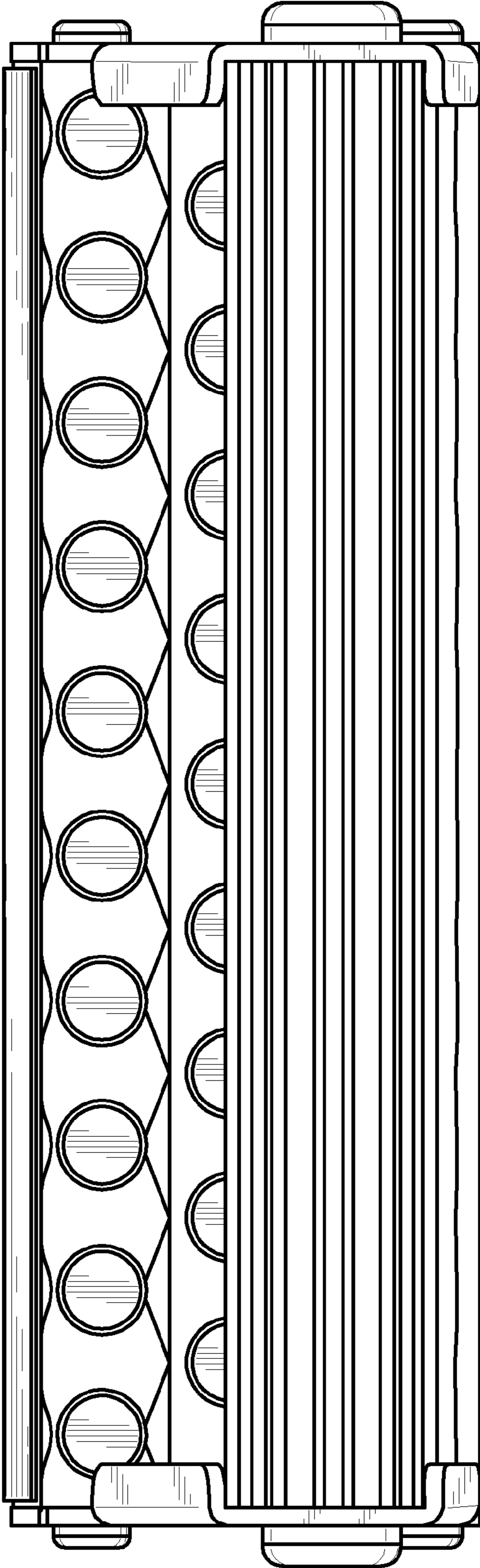


FIG.-4

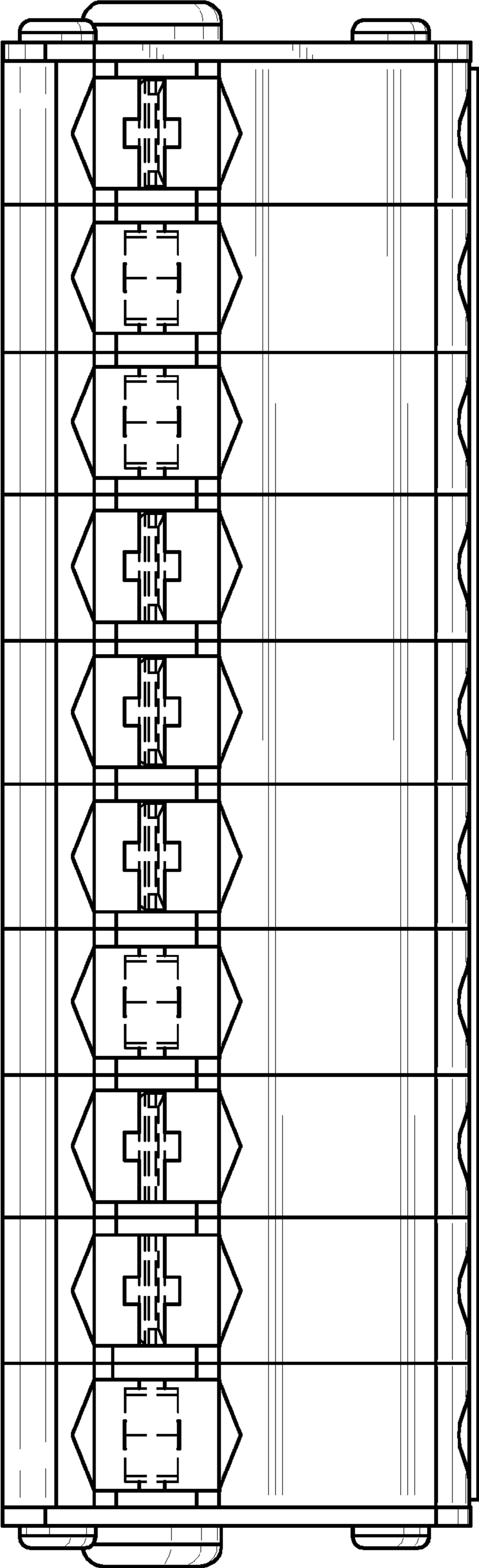


FIG.-5

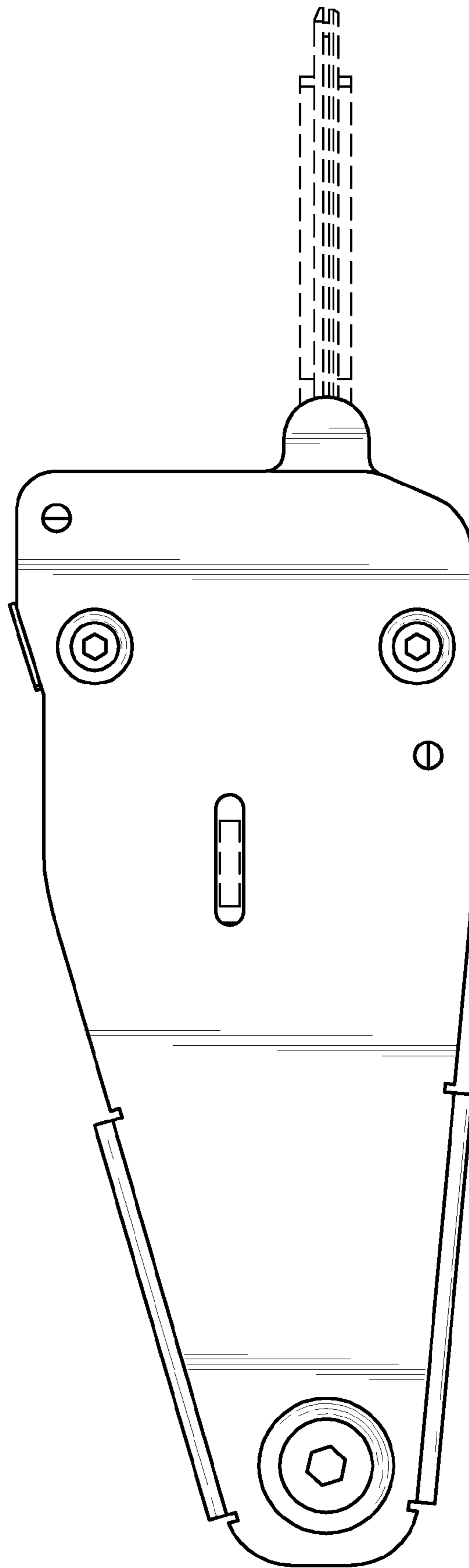


FIG. -6

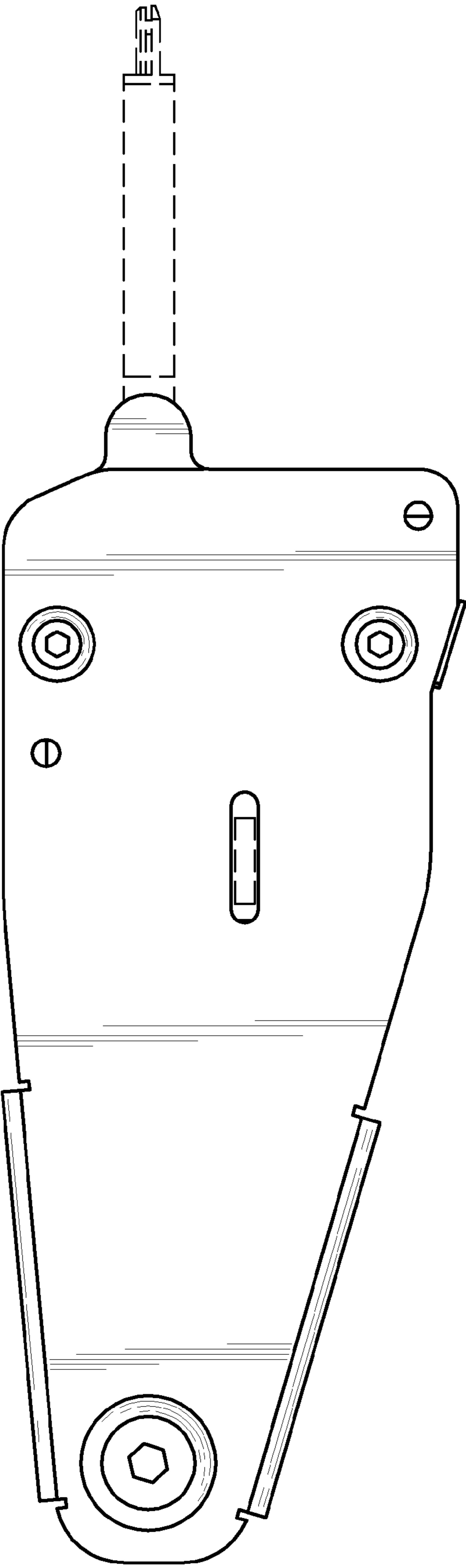


FIG.-7