



US00D621781S

(12) **United States Design Patent**
Chang et al.

(10) **Patent No.:** **US D621,781 S**

(45) **Date of Patent:** **** Aug. 17, 2010**

(54) **ELECTRICAL PLUG ADAPTER**

(75) Inventors: **Chun Feng Chang**, Taoyuan (TW);
Warren Kartadinata, Union City, CA
(US); **Keith Hopwood**, Fremont, CA
(US)

(73) Assignee: **Phihong USA Corporation**, Fremont,
CA (US)

(**) Term: **14 Years**

(21) Appl. No.: **29/337,264**

(22) Filed: **May 18, 2009**

(51) **LOC (9) Cl.** **13-03**

(52) **U.S. Cl.** **D13/137.2**

(58) **Field of Classification Search** .. D13/137.1–137.4,
D13/138.1, 138.2, 139.1–139.8, 107–108,
D13/110, 133, 147, 54, 184, 199; D14/433;
174/53–58, 66; 439/105–107, 535, 650–655,
439/638, 692, 502, 505; 337/189, 198

See application file for complete search history.

(56) **References Cited**

U.S. PATENT DOCUMENTS

D374,657 S * 10/1996 Beranek D13/138.1
D378,290 S * 3/1997 Hahn D13/138.2
D378,291 S * 3/1997 Hahn D13/138.2
5,613,863 A * 3/1997 Klaus et al. 439/131
D379,003 S * 4/1997 Hahn D13/138.1

D381,314 S * 7/1997 Hahn D13/138.1
D382,540 S * 8/1997 Hahn D13/138.1
D454,537 S * 3/2002 O'Connor et al. D13/110
6,638,113 B2 * 10/2003 Kajiwara et al. 439/651
D556,138 S * 11/2007 Ng D13/138.1
D596,572 S * 7/2009 Wu et al. D13/138.1
2002/0081906 A1 * 6/2002 Kajiwara et al. 439/651

* cited by examiner

Primary Examiner—Rosemary K Tarca

(74) *Attorney, Agent, or Firm*—Fish & Richardson P.C.

(57) **CLAIM**

The ornamental design for an electrical plug adapter, substantially as shown and described.

DESCRIPTION

FIG. 1 is a front perspective view of the electrical plug adapter,

FIG. 2 is a front view of the electrical plug adapter,

FIG. 3 is a rear view of the electrical plug adapter,

FIG. 4 is a right side view of the electrical plug adapter,

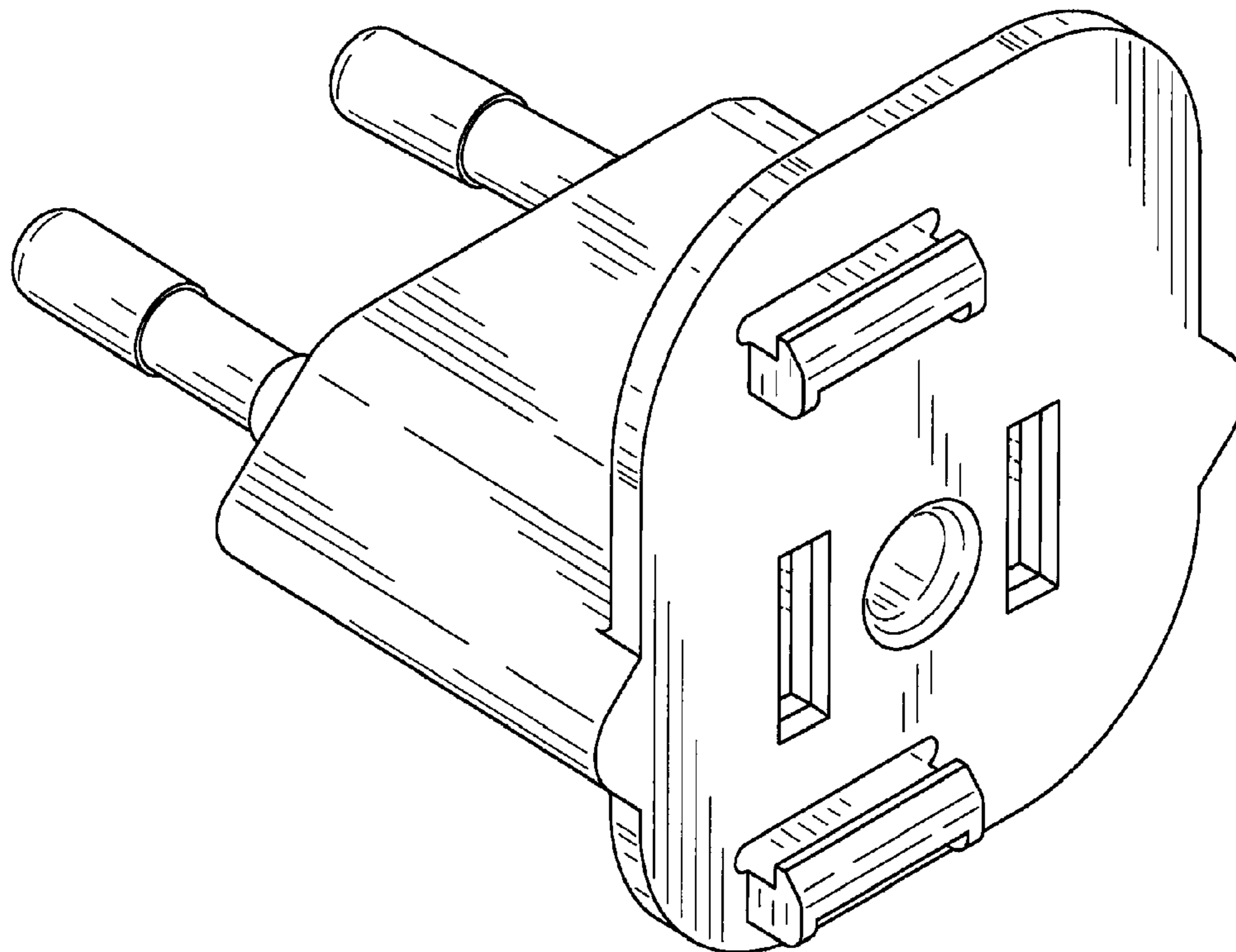
FIG. 5 is a left side view of the electrical plug adapter,

FIG. 6 is a top view of the electrical plug adapter; and,

FIG. 7 is a bottom view of the electrical plug adapter.

The portions of the electrical plug adapter shown in broken lines form no part of the claimed design.

1 Claim, 4 Drawing Sheets



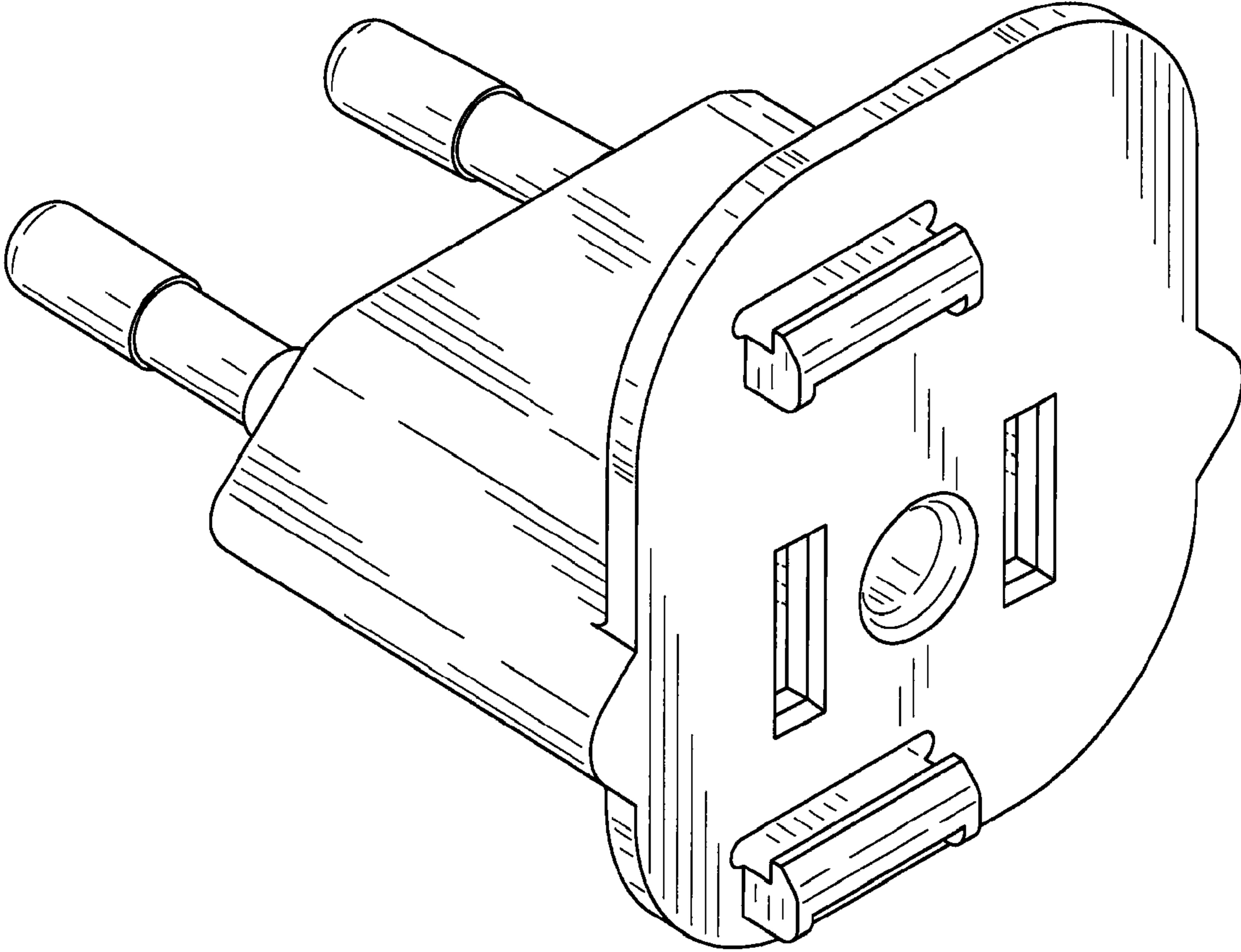


FIG. 1

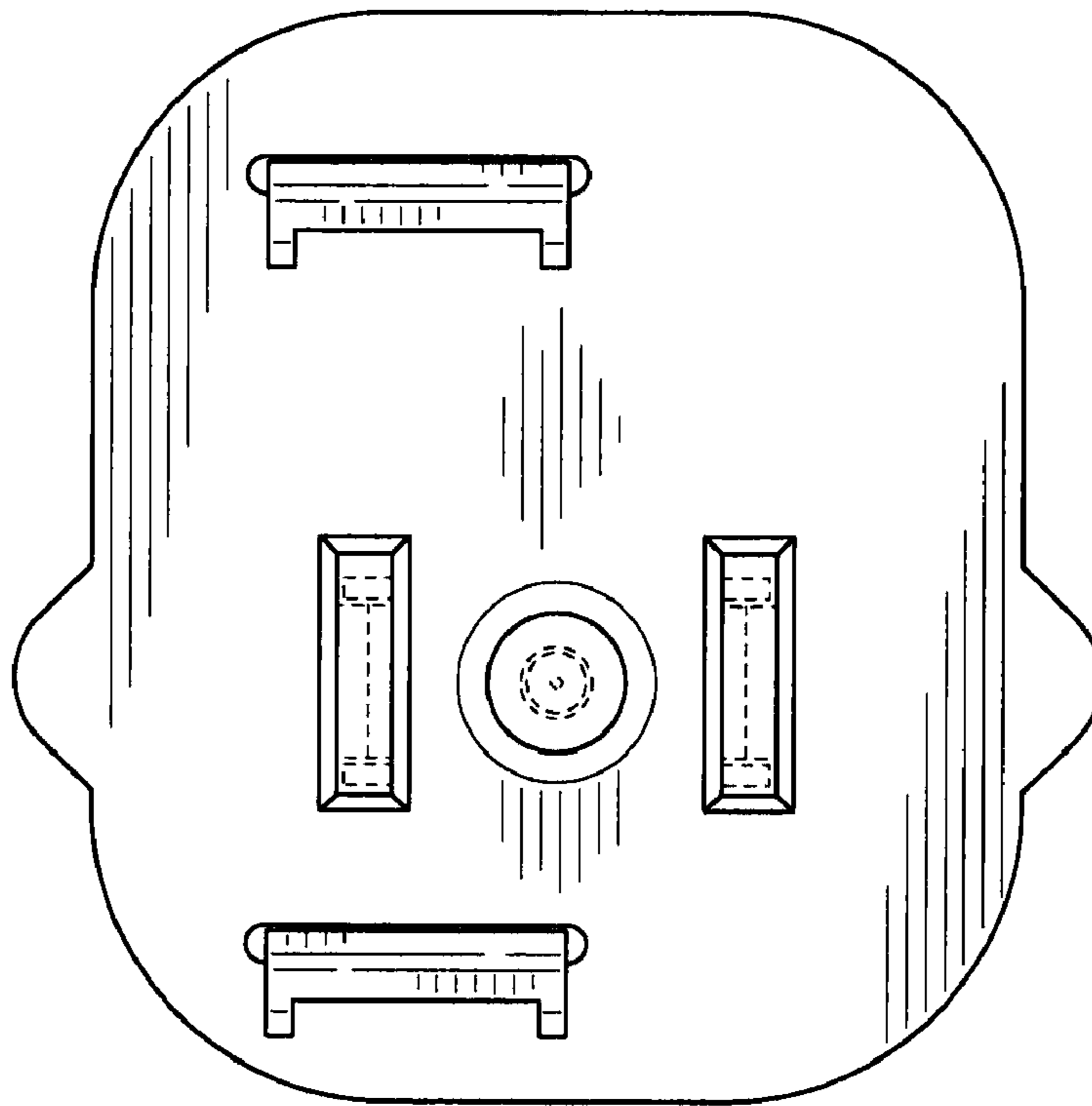


FIG. 2

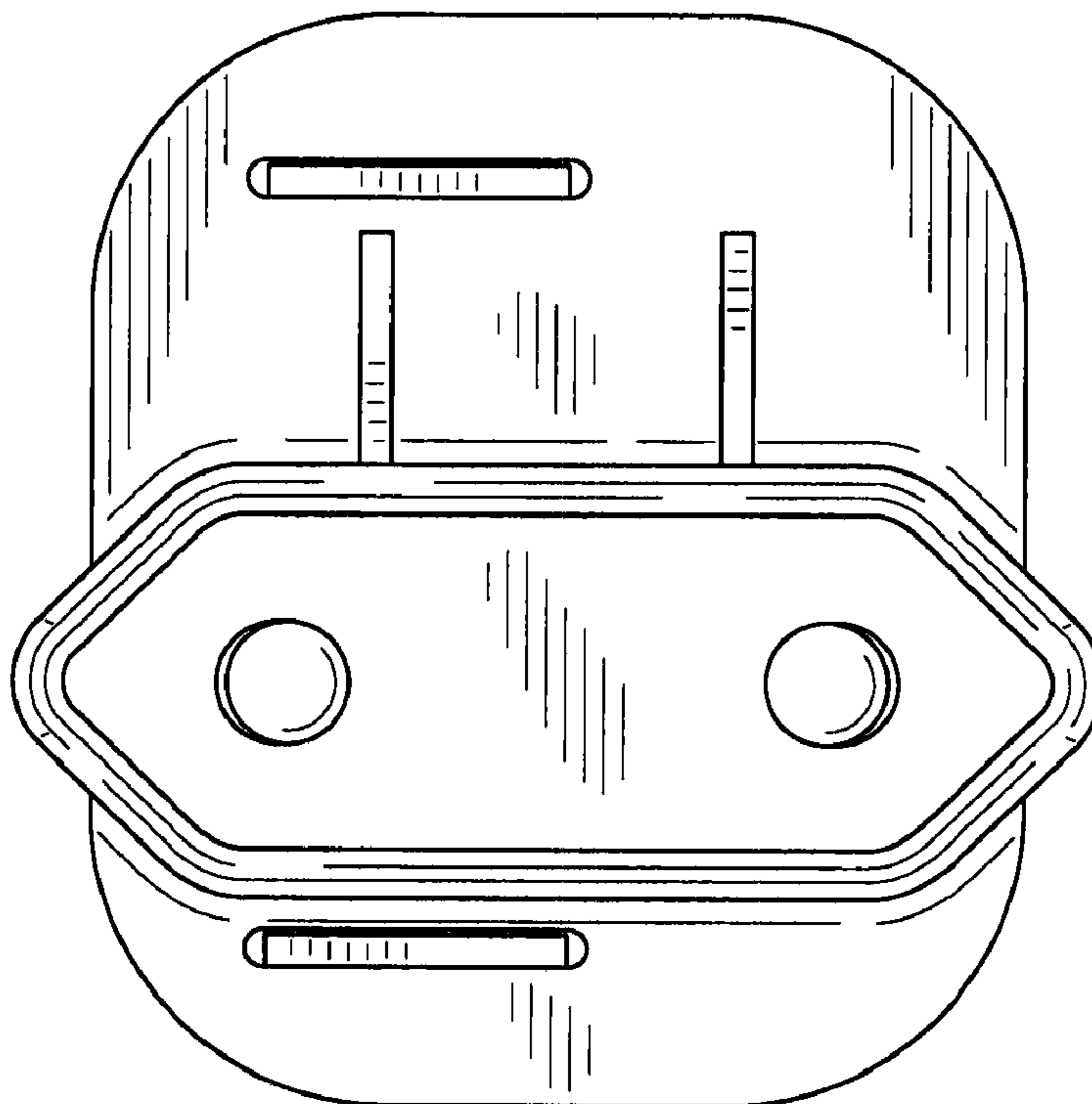


FIG. 3

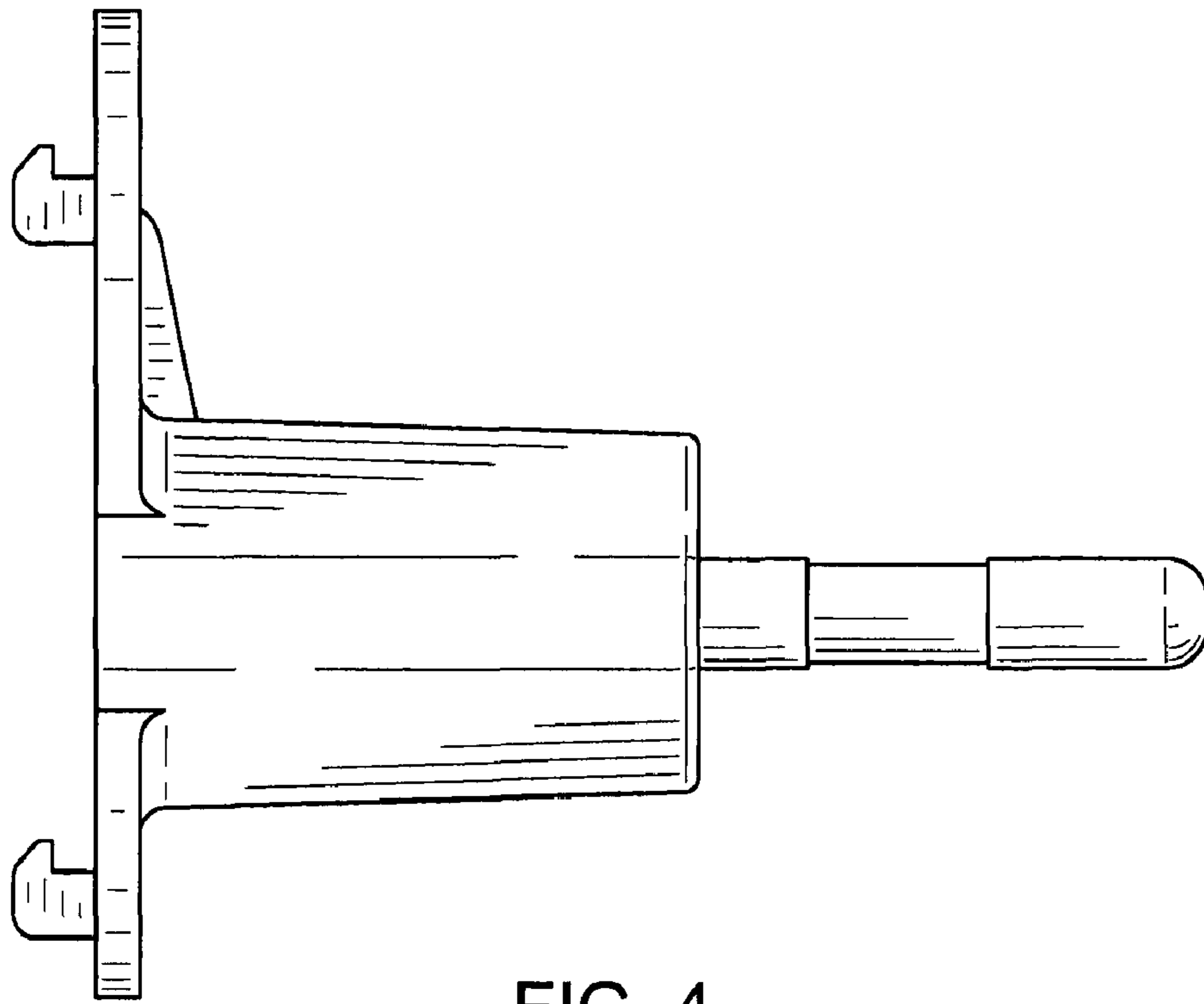


FIG. 4

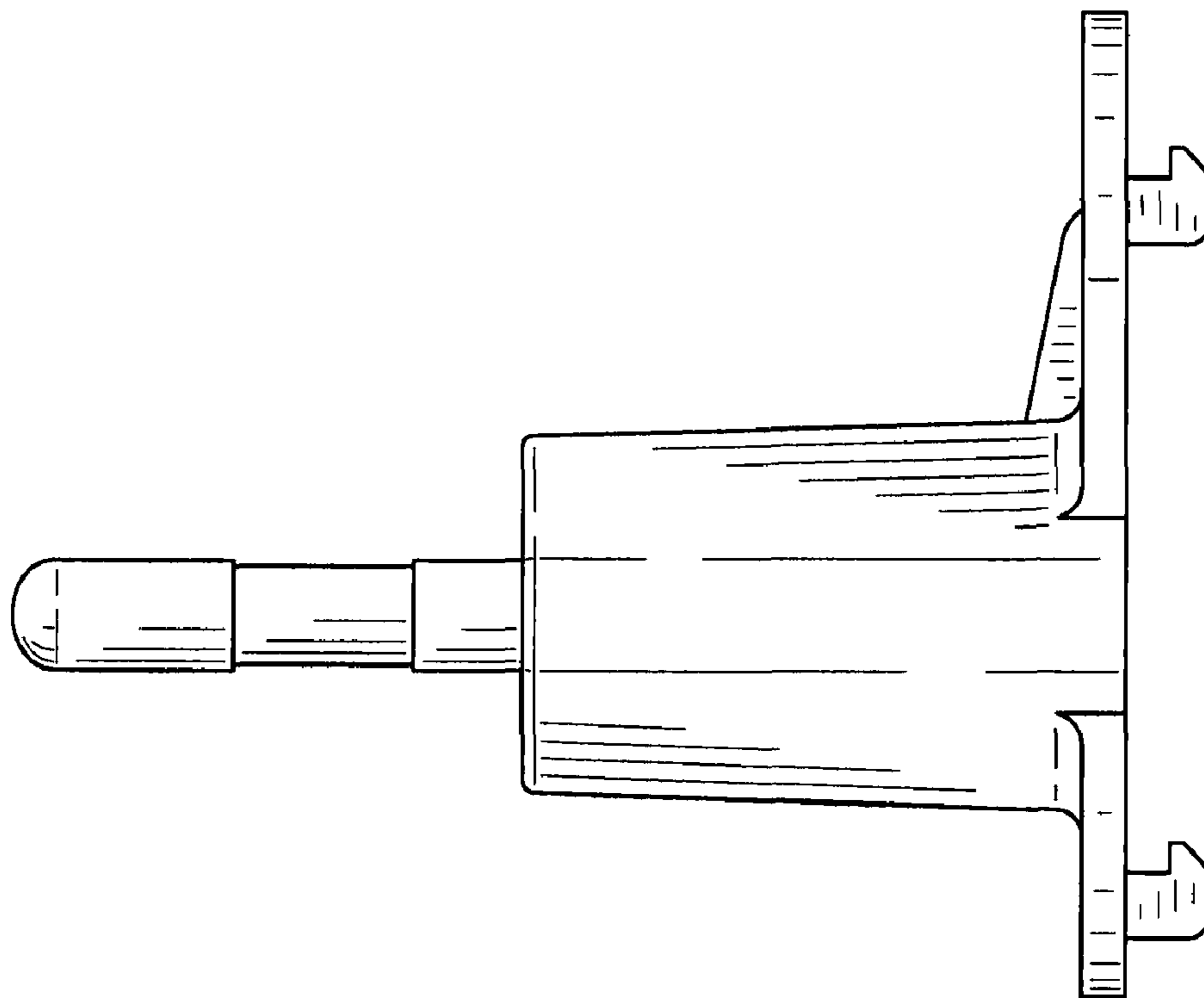


FIG. 5

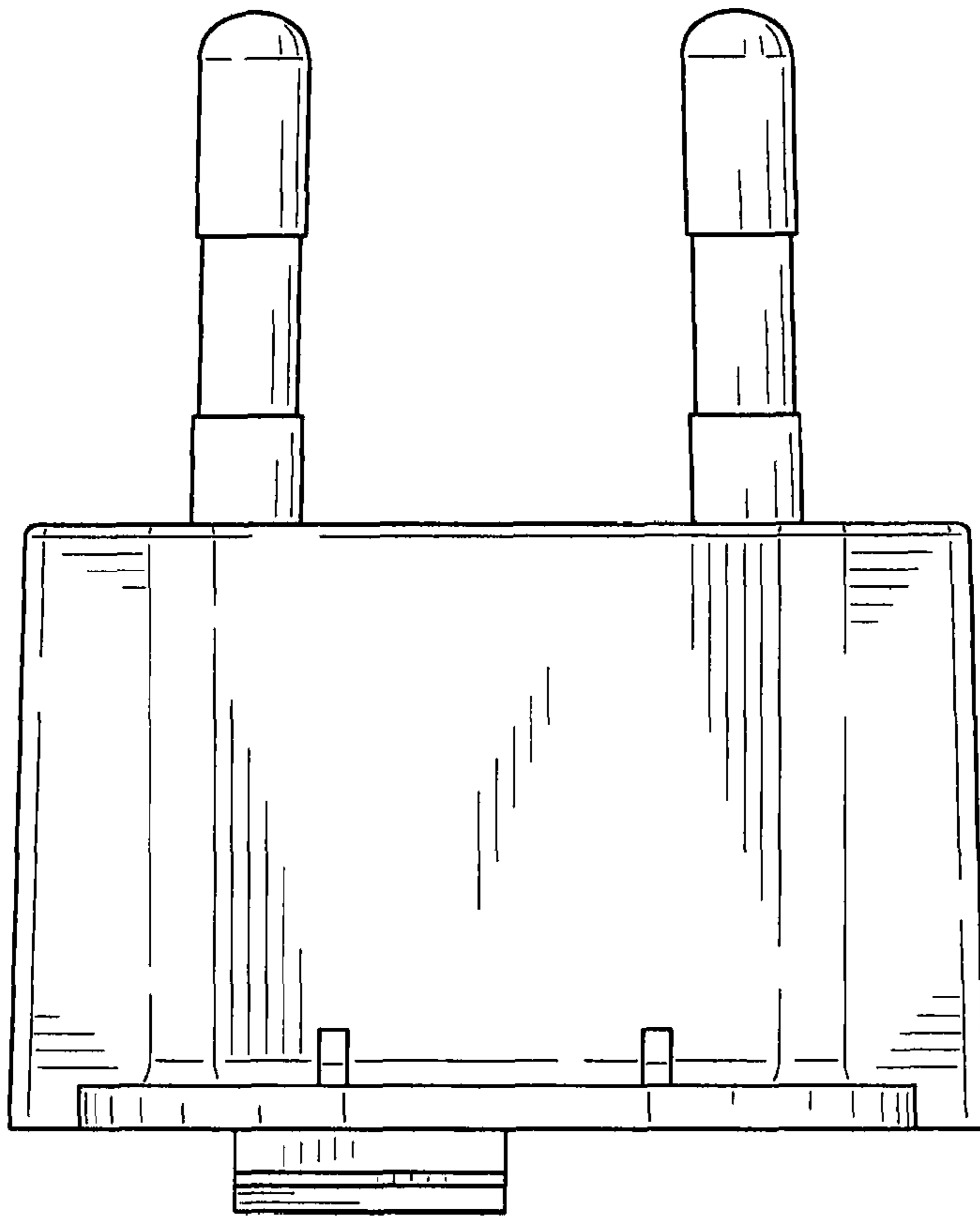


FIG. 6

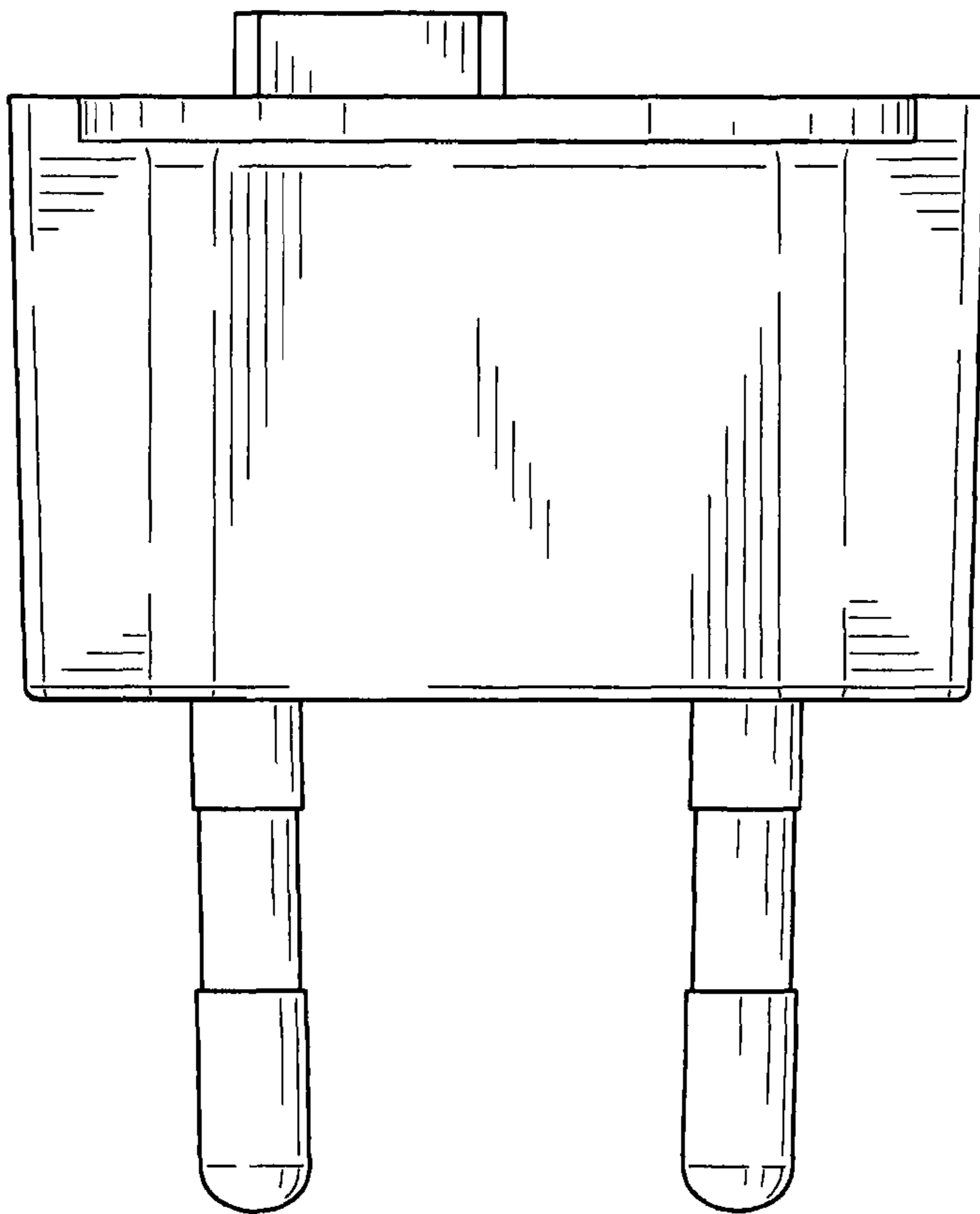


FIG. 7